

GERMAN ENGINEERING & DESIGN



BIKES

2 0 2 1


MERIDA
M.O.R.E. BIKE



WELCOME 2021

We are living in unprecedented times, and the bicycle has once again shown its importance as the ideal tool to stay physically and mentally fit, as well as a viable form of transport. We are MERIDA are hugely proud that our bicycles have been and will continue to fulfil those important roles, and our 2021 range has a vast array of models that are perfect for one or the other, and in most cases even both.

After launching the successor of the most awarded bike in MERIDA's history in 2020, the new eONE-SIXTY has managed to continue the winning streak in its launch year and will see further upgrades and improvements in 2021 to keep it at the top of its game. Those improvements have made their way into the wider e-bike range, giving our assisted bikes more power, more range and even more versatility. For the first time in our e-bike history, we have now included road e-bikes into our line-up, and we are immensely proud to introduce the eSCULTURA, eSILEX and the eSPEEDER. But we have also invested lots of time and effort into our non-assisted road bike range. 2021 will see the introduction of the long-awaited new REACTO which offers further improved aerodynamics and an even cleaner look, while the new SCULTURA ENDURANCE provides the perfect road machine for less competition focused and more adventure orientated road riders out there. Another highlight of 2021 is the 'reinvention' of the legendary NINETY-SIX full suspension mountain. The new NINETY-SIX has maintained his forward-searching race genes while incorporating the new style and course challenges of modern XC and marathon racing. To round up the key highlights, we have also re-introduced the fun-packed trail hardtail, the BIG.TRAIL, offering impressive trail riding qualities combined with hardtail simplicity at super affordable price points.

But we don't stop there. Innovations, improvements and technologies that have found their origin on the top-level bikes continuously make their way down the line-up, improving the riding characteristics, longevity, serviceability and fun-factor on the more entry-level bikes of our range.

We sponsor an array of multi-disciplinary athletes in addition to closely working with them on product development, testing and product fine-tuning.

See our website, Facebook and Instagram for further details.

| | |
|-----|-------------------------------|
| 4 | MISSION STATEMENT |
| 8 | GERMAN ENGINEERING AND DESIGN |
| 10 | HANDMADE IN TAIWAN |
| 12 | CARBON TECHNOLOGY |
| 13 | ALUMINIUM TECHNOLOGY |
| 14 | TECHNOLOGIES |
| 606 | SMART ENTRIES |
| 608 | DROPOUTS |

E-BIKES

| | |
|-----|------------------------|
| 18 | E-Bikes Overview |
| 22 | Shimano E-Bike Systems |
| 26 | MAHLE ebikemotion |
| 30 | eONE-SIXTY |
| 54 | eONE-FORTY |
| 78 | eBIG.NINE/SEVEN |
| 108 | eBIG.TOUR |
| 124 | eSPRESSO |
| 178 | eSPRESSO CITY |
| 202 | eSPRESSO CC |
| 220 | eROAD Overview |
| 224 | eSCULTURA |
| 226 | eSPEEDER |
| 230 | eSILEX |

MOUNTAINBIKES

| | |
|-----|----------------|
| 238 | NINETY-SIX |
| 252 | ONE-TWENTY |
| 276 | ONE-FORTY |
| 290 | ONE-SIXTY |
| 302 | BIG.NINE/SEVEN |
| 368 | BIG.TRAIL |
| 380 | MATTS |

YOUTH & KIDS

| | |
|-----|---------|
| 402 | MATTS J |
|-----|---------|

ROAD — FITNESS — GRAVEL

| | |
|-----|--------------------|
| 424 | REACTO |
| 446 | SCULTURA |
| 482 | SCULTURA ENDURANCE |
| 496 | TIME WARP |
| 502 | SPEEDER |
| 520 | SILEX |
| 548 | MISSION CX |

TREKKING

| | |
|-----|----------|
| 566 | CROSSWAY |
|-----|----------|



LIFETIME FRAME WARRANTY

For peace of mind and reassurance, our MERIDA frames* come with a Lifetime Warranty against manufacturing defects. Restricted to the original purchaser of the bike on the production of proof of purchase (frames from model year 2015 onwards). Conditions apply.

* for detailed information and possible exceptions please see our instruction manual; The lifespan of a bike is up to ten years. The "intended use" (see instruction manual) has to be noted.

A high-contrast, black and white close-up photograph of a bicycle's front wheel and disc brake system. The focus is on the brake rotor and caliper, with the spokes of the wheel visible in the background. The lighting creates strong highlights and deep shadows, emphasizing the mechanical details.

O U R

MISSION STATEMENT



MERIDA was founded by Ike Tseng in 1972 with the ambition to improve the public opinion of the 'Made in Taiwan' label. The three syllables Me-ri-da roughly translate as 'the intention to manufacture only beautiful and high-quality products enabling anyone to reach their destination as pleasantly as possible'. Tseng managed to change the face of the cycling industry and hugely contributed to turning Taiwan into the country with the most advanced production know-how in the bike industry today. Each MERIDA bike goes through its own international journey: Our R&D team is based near the technology hotspot Stuttgart, where the entire model range is designed.

The bikes go through a rigorous testing program – let it be in our state of the art test laboratory, on the test loop after work, during extensive test rides over the weekend or at some of the most demanding races. Our Taiwan headquarter in Yuanlin combines the extraordinary R&D work from our German team with high-tech materials, innovative production processes as well as precise and careful craftsmanship. Our credo is MORE BIKE, and that for a good reason. Every customer can expect that little bit 'MORE' from our bikes, which will give each rider the feeling to be riding on the right, rather than just 'any' bike. We're so confident in our products that we offer a Lifetime Frame Warranty.

MERIDA. MORE BIKE.

WE DESIGN

WE TEST

YOU RIDE

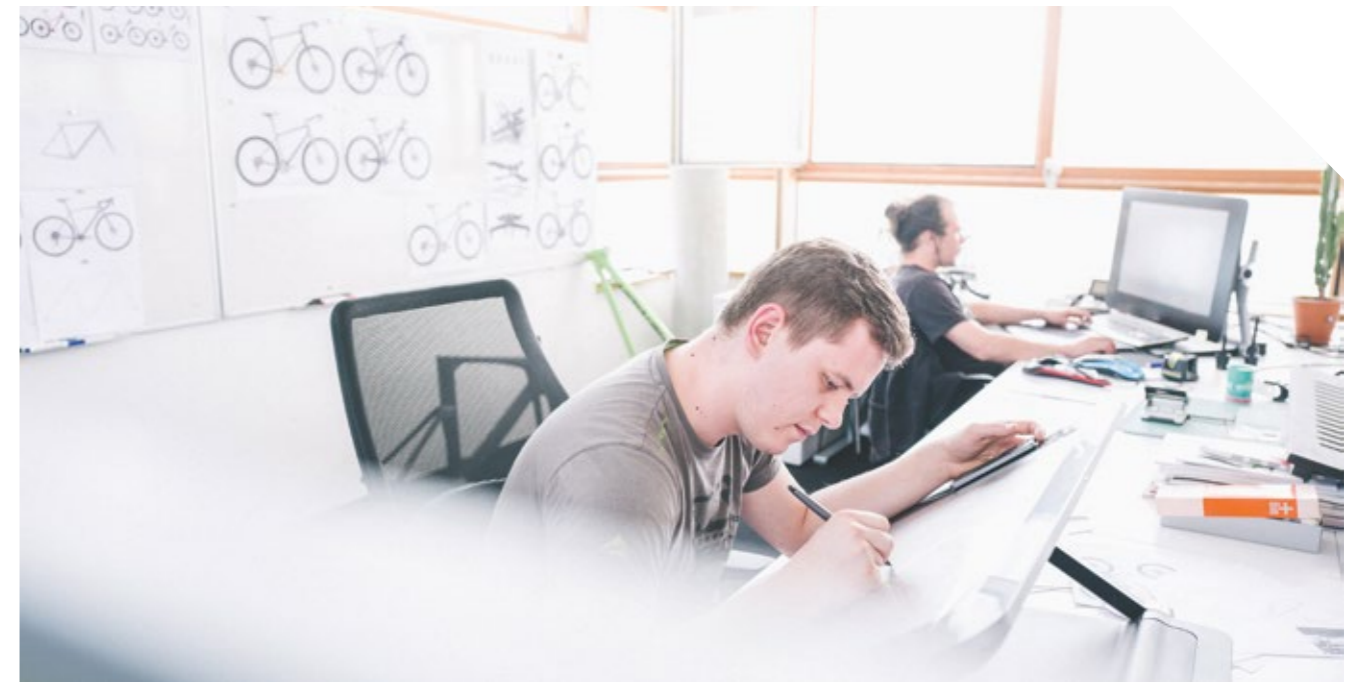
WE BUILD

DEVELOPING THE NEXT GENERATION OF BIKES

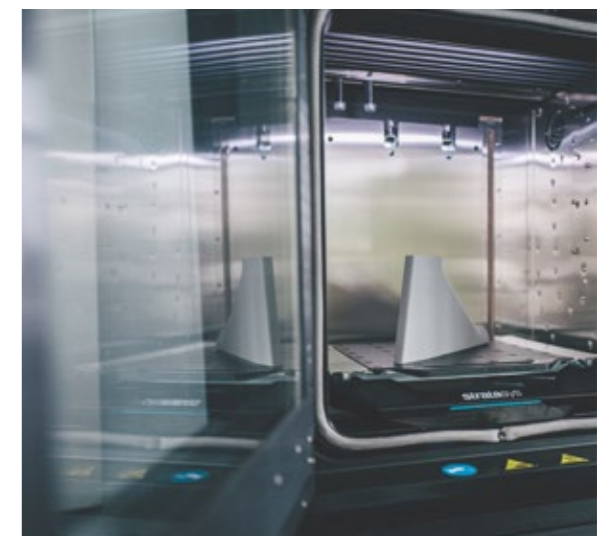
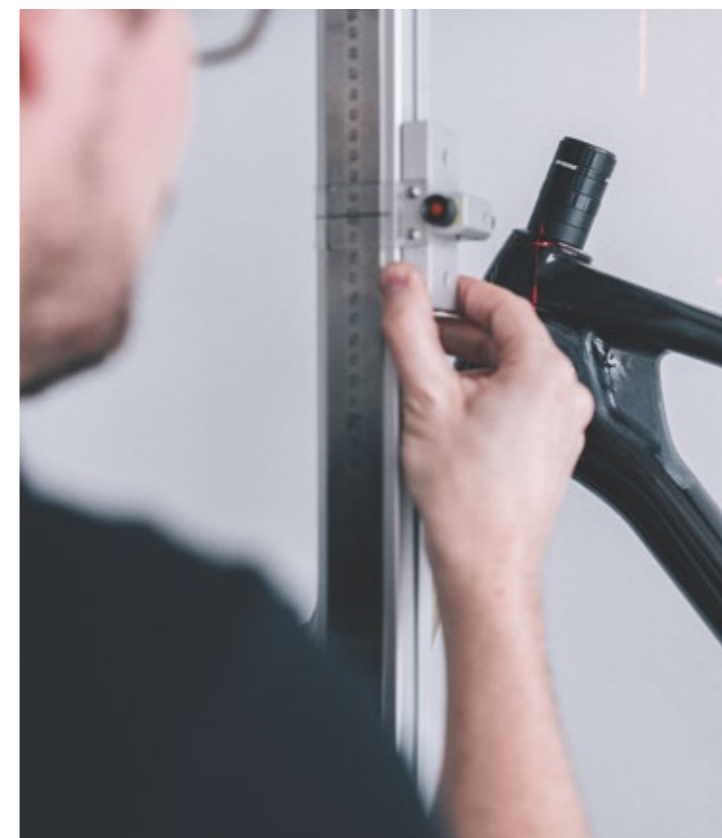
Our young and enthusiastic R&D team lives, breathes (and not surprisingly) rides bikes... all day. Creating a bike is very much a team effort, where a long list of individuals contribute their specific skill set and ultimately bring it all together at the end. From conceptual planning, via first riding prototypes, integration of colour and graphics into the overall project, refining the pre-production models to the final bike that makes its way to the shop floor of your local MERIDA dealer.

Testing, re-testing and testing again are crucial to our game. We are doing everything we can to provide our customers with the most refined and secure product possible. Our in-house testing facilities push our products beyond the industry standards, and we work with the best external test laboratories to be sure that MERIDA bikes will withstand even the most demanding trail, the steepest climb, the heaviest load or the daily gruelling chore.

MERIDA bikes are still very much 'made by hand' and that process starts with the many individuals who make up our highly skilled R&D team. From marathon racer to bike-packing enthusiast, from track specialist to enduro lover and from semi-professional road racer to Ironman competitor, our team does not only bring experience and knowledge in their corresponding fields to work in the morning but also the undisputed love for everything bike, and the unstoppable desire to make ever better bikes. Our team accompanies the birth of a new bike from the conceptual beginning, all the way through the development stages and onto the production process. But the development does not stop there, as small improvements and upgrades are constantly looked at and integrated when possible.



GERMAN
ENGINEERING
AND DESIGN



BUILDING
BICYCLES
SINCE
1972

We have been in the business of making bikes for over 48 years, and while lots of things have changed over the years, we still make our bikes by hand. It was very much the intention of our founder Ike Tseng to improve the reputation and the quality of bikes 'Made in Taiwan', and that still remains the main objective for us today.

The 'creation' of a new bike starts with our highly skilled R&D team, which is based in the technology heart of Germany, where new ideas, concepts and trends get put into the outline of a new bike. These ideas would not go very far if they would not have the experienced arm of our Taiwan headquarter in Yuanlin on their side, who turn the prototypes, ideas and concepts into real products, real bikes. With more than 45 years of experience to draw from, this German - Taiwan set-up is the ideal combination of design and production power, which very much shows in the quality and innovation of our products.

Overshadowing all of these steps is a stringent testing regime before any products make it onto the production line. Once in production, vigorous quality control standards and constant involvement from production engineers and our R&D team ensure that our products can carry the quality label 'Handmade in Taiwan' with pride.

The undisputed love for everything bike and the constant desire to make ever better bikes drive our team in our R&D centre in Germany as well as in our factory in Taiwan forward. Every part of this chain has enormous pride in our product - from CEO, via our R&D and engineer teams all the way to the welder and assembling crew member who puts the final touches to each bike, before it gets distributed to one of our many national distributors.



48 YEARS
HANDMADE
IN TAIWAN



CARBON STATE OF THE ART TECHNOLOGY

MERIDA's philosophy is that you should work with industry experts when they can do something better than you. This is definitely true when looking at carbon production. We collaborate with the best producers to ensure we are always at the leading edge of technology. Our partners are constantly developing highly refined production techniques for other industries, meaning that we can select the best manufacturer to satisfy the varying needs of each frame we develop.

CARBON PRODUCTION IS VERY COMPLEX

Marketing has created a mystique around carbon frame quality; labels such as high tensile, high modulus, super high modulus and ultra-high modulus dominate the market. These terms relate to carbon's properties, not its quality. Toho or Torray are sometimes mentioned to add perceived credibility. Some brands say all carbon is the same, or that they use only ultra-high modulus fibres. In reality, high performance carbon frames must incorporate many different fibre types, each carefully positioned to achieve the right technical properties. For example, our SCULTURA frame weighs 850 g (size M/L), comprises 400 individual carbon sections, it takes over 45 hours to build.

CARBON IS DEFINITELY NOT ALL THE SAME

Visually identical frames can vary in quality due to the level and mix of carbon fibres used. MERIDA uses a CF number to demonstrate the performance level; 2 is the lowest, 5 the highest. Subtle tweaks to the carbon fibres used both save weight and improve performance.

CUTTING EDGE ALUMINIUM FRAMES

We have produced cutting edge aluminium frames for many years, continually refining our knowledge and developing new technologies.

We take great care in selecting or, in some cases, developing grades of aluminium appropriate to the demands of each bike we manufacture. For example, 6016 aluminium enables super thin wall thicknesses with amazing strength, ideal for demanding off-road riding and racing. 6066 aluminium is extremely light and durable, allowing manipulation to create the best possible stiffness to weight ratio. 6061 is the minimum grade we use, developed for the aerospace industry, enabling the production of lightweight and highly advanced frames.

The way aluminium is treated and manipulated is as crucial as the grade selection. There are a number of processes involved:

DOUBLE AND TRIPLE BUTTING

Double butting describes tubes with two wall thicknesses; thicker at the ends and thinner in the middle.

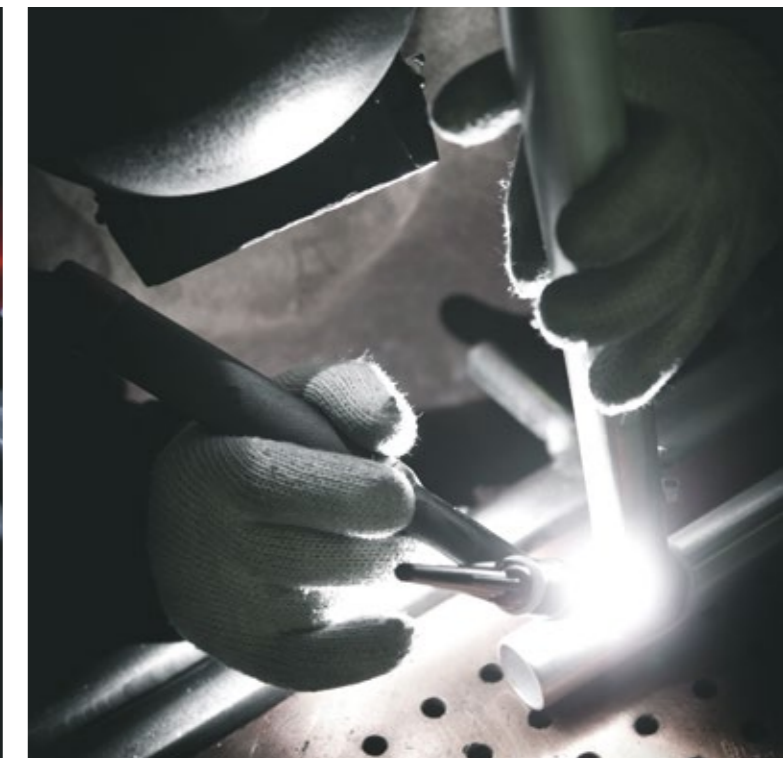
Triple butting describes tubes with three different wall thicknesses along their length, optimising strength where it is needed but minimising weight in areas subjected to less stress. All our aluminium is heat treated. Frames are heated to very high temperatures (a T6 temper) then quickly cooled in water or

oil to ensure the alloying elements don't precipitate. Frames are subsequently heated to a lower temperature, artificially ageing and significantly strengthening them.

HYDRO AND TECHNOFORMING

Hydroforming involves the insertion of tubes into negative moulds. A hot emulsion of water and oil is forced through at pressure, enabling them to be formed into complex shapes. Technoforming is a mechanical forming process, shaping the tubes by using negative moulds, at times combined with an internal metal core.

Smooth welding, also known as double pass welding, refers to a second pass over the weld providing a clean organic look to the frame; at first glance, you will be convinced it is carbon, not aluminium.





SMART ENTRY

Cables, housings and brake hoses are clamped under tension to prevent rattling when the trails or roads get rough. All inlets are completely interchangeable to deal with Di2, hydraulic hoses, brake cable and gear cable housings etc.



INTERNAL CABLE ROUTING

Cables are routed through the frame, entering and exiting through smooth sockets. The bike looks neat, whilst the cables are protected from moisture and dirt.



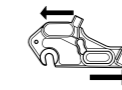
DOWN TUBE EXIT

Ensures that internally routed cables and wires can't move freely and remain easily accessible for servicing.



INTERNAL CLAMP

Designing WorldTour bikes is similar to Formula 1: apparently nondescript details can result in saving split seconds. Integrated seat-post clamping minimises turbulence at the top tube.



SLIDER DROPOUT

The slider dropout offers plenty of horizontal adjustment for smooth and easy chain tensioning of hub gear systems, without the need of an added chain tensioner. Its voluminous design offers optimum frame stiffness.



K-MOUNT

Integrated mount on the chainstay to fit a MERIDA kickstand (or any commercial kickstand).



WIRE PORT

MERIDA designed headsets that allow all control cables to enter the frame through the headset, creating a clean and uncluttered look, without making structural changes to the frame. Depending on the model, the cables are run completely internally (including bar and stem) or semi-integrated where the cables enter the frame underneath the stem.



FLEX STAY

The seat and chainstay profile and carbon lay-up schedule are adapted to work like a flat leaf spring, absorbing surface bumps and reducing vibrations.



P-FLEX

The compliance of the material and the specific shaping of the tubes, allows the frame to flex near the seat and chainstay junction, making a pivot point obsolete. By not fitting a pivot point at the seat and chainstay junction, we save weight as well as add stiffness.



NACA FASTBACK PROFILE

The aerodynamics are based around a NACA0028 teardrop profile (National Advisory Committee for Aeronautics) which is truncated. Air moves around the tube as though the missing rear section of the teardrop were still there, saving weight by using less material.



FLOAT LINK REAR SUSPENSION

The lower shock mount moves with the system to deliver sensitive response characteristics. Our engineers can precisely influence the transmission ratio, and progression meaning a 'Float Link' rear suspension system appears to offer more travel than the model name suggests.



Di2 READY

Bikes/frames with the symbol 'Di2 Ready' are prepared for the installation of Di2 technology with battery mounting in the seat post or within the fork steerer.



X-TAPER HEADTUBE

Our X-Tapered headtube offers the space for a tapered fork to be fitted. Tapered forks offer superb stiffness and precise and deliver confidence-inspiring steering.



THERMO GATE

Specifically located openings near the head tube which work like a chimney and allow the warm air to dissipate to guarantee the optimum operating temperature of the internal battery. The THERMO GATE enables the battery to perform at its best, in any condition.



FLIP FLOP HEAD

Aero bikes deliver the best possible aerodynamics, but superb wind-tunnel performance data is useless if the rider can't get into the correct position. The 'Flip Flop' head allows seat angles to be optimised for comfort.



INTERNAL BLOCK

First introduced in our 2015 NINETY-SIX, the new version of the 'Internal Block' is incorporated directly in the frame and prevents the fork crown from hitting the frame in case of a crash or an extreme steering angle. As an extra protection, there are additional rubber bumpers on the frame to avoid any frame damage from the fork crown.



ENERGY GUARD

A two-component battery cover, which offers perfect protection for the internal battery. The softer (outer) layer reduces noises, seals the downtube perfectly and absorbs hits from trail debris easily, while the harder (inner) layer ensures that the battery does not get damaged and gives it the structural shape. All critical parts like the rubber strap and o-rings for perfect fitting can be replaced.



ENERGY GUARD TWIST

Twist lock mechanism that is located at the top end of the 'Energy Guard' battery cover, for easy locking and unlocking of the protective internal battery cover.



PROLITE 66 TRIPLE BUTTED ALUMINIUM

Our proven high-end aluminium (6066) is extremely light and durable. Using triple butted wall thicknesses and hydroforming technology, we can tune the aluminium tubes to give the best possible stiffness to weight ratio.



SUPERLITE 16 ALUMINIUM

Our latest grade of aluminium (6016) enables super thin wall thicknesses whilst delivering amazing strength, ideal for demanding off-road riding and racing.



RACELITE 61 ALUMINIUM

We use a minimum of 6061 aluminium. The payback is that it's possible to make lighter and more advanced frames. We use an additional heat treatment and double-butted wall thicknesses to produce light and stiff frames.



ENERGY CRADLE

Unique cradle like shaping of the downtube to accommodate the battery, without adding any cut-outs and through that losing the all-important frame stiffness of our low step through frames. Paired with an aluminium battery cover, the frames give the impression of an integrated battery, without sacrificing stability and battery accessibility.



AWS - ANTI WRINKLE SYSTEM

When creating the individual carbon elements, an inflatable bladder is used to ensure there are no wrinkles inside the tube as these can add weight and create weakness. This results in a lighter, stiffer and stronger frame.



NANO MATRIX CARBON

To protect the integrity of carbon frames, the fibres are bonded together with an epoxy resin with added nano particles, increasing impact resistance by up to 40%.



HYDRO FORMING SYSTEM (HFS)

Tubes are inserted into negative moulds and a hot emulsion of water and oil is forced through at pressure, enabling them to be formed into complex shapes.



TECHNO FORMING SYSTEM (TFS)

Technoforming is a mechanical forming process, shaping the tubes by using negative moulds, at times combined with an internal metal core.



SMOOTH WELDING

Sometimes called 'double pass welding', a second pass over the weld gives a clean organic look to the frame. At first glance, you will be convinced it is carbon.



DISC COOLER

A forged aluminium component under the front and/or rear caliper allowing heat to dissipate through CNC-milled cooling fins. Tests show that temperatures are reduced by around 35 % and cooling times are shortened, optimising the performance of the brake.



CASTING MOTOR BRACKET

Sophisticated shape only possible due to casting technology, creating an integrated appearance as well as an extremely strong connection between the E-bike motor and frame for improved performance and reliability.



NON-SLIP TIGHTENING

Selected bolts can be tightened via a TORX 30 key from just one side, without running the risk that the opposite side slips or turns, allowing faster and more straightforward tightening of important hardware components.



F-MOUNT

'F-Mount' equipped bikes have integrated fittings for mudguards (some bikes require model specific mudguards), making fitting fast and simple.



REMOVABLE F-MOUNT

A removable seat stay bridge can be fitted for neater and more secure fitting of rear fenders, but removed for increased mud clearance and a cleaner look.



C-MOUNT

'C-Mount' equipped bikes have the fixing points for a rear rack already integrated (some bikes require model specific rear rack), making fitting fast, simple and reliable.



FREE YOUR POSSIBILITIES

E-BIKES

Bikes are, without a doubt, a great addition to a healthy and varied lifestyle. However, imagine how different and perhaps less straining those exciting outdoor activities could be if you experienced them on an e-bike! No trip too far, no mountain too high or too steep, no load too heavy – e-bikes instantly put a smile on every rider's face, doesn't matter if you prefer your riding on or off the road. From our upgraded eONE-SIXTY with internal battery technology, extended range and new Shimano EP8 power unit via the enhanced eONE-FORTY or the ultra-versatile eBIG.NINE and eBIG.TOUR all the way to our town and country loving eSPRESSO bikes – the 2021 MERIDA e-bike range is packed with new Shimano EP8 and 630 Wh equipped models and is bursting with exciting innovations. And for the first time in our e-bike history, we have now included road e-bikes into our line-up. We are immensely proud to add the MAHLE driven eSCULTURA, eSILEX and the eSPEEDER to our offering. More than ever before, the MERIDA e-bike range has something for every kind of riding and any kind of rider.

P E R F O R M A N C E

Our eONE-FORTY and eONE-SIXTY are equipped with real MTB parts and powered by Shimano's latest power unit, the EP8. Our e-full suspension bikes closely related to their non-powered cousins and simply add the 'STePS factor' to the mix. The new Shimano EP8 system in combination with the new 630 Wh internal battery is focused on serious off-road performance riding with no motor drag. The compact STePS motor systems enable us to create geometry solutions that make our performance e-bikes feel just like riding a 'non-powered' bike.



e O N E - S I X T Y



e O N E - F O R T Y

S P O R T

For anyone who enjoys an active and sporty lifestyle and sometimes likes to combine their ride to work with a little detour on the way home, we have two e-MTBs waiting for you. Our eBIG.NINE e-powered hardtail and its closely related 'cousin' the 29er wheeled eBIG.TOUR, which features a sharply bent top tube for a reduced stand over height. Both are available with the combination of the new STePS EP8 motor and 630 Wh battery or with the well proven E7000 motor combined with the reach extending 630 Wh energy block.



e B I G . T O U R



e B I G . N I N E

A C T I V E

An active lifestyle is a good idea for many reasons: It keeps you fit and healthy, offers a fantastic balance to your working life and helps to reduce the amount you drive. Whatever your motivation, our 'Active' e-bikes help you live your active life. Our extended eSPRESSO family is perfect for enjoyable trips on gravel roads and cycle paths or as a reliable companion around town. To meet individual requirements and budgets, we offer our eSPRESSO models in a huge variety of frames, specifications and motor options, starting with Shimano's STePS E5000 unit, via the E6100 motor all the way to the new EP8 power plant. And to offer our eSPRESSO customers the right style, frame shape and seating position we have the 'classic' 700c eSPRESSO, the low step-through 700c 'CITY' and the more rugged and on 650B wheels rolling eSPRESSO CC version in our line-up.



e S P R E S S O



e S P R E S S O L



e S P R E S S O C C



e S P R E S S O C I T Y

R O A D

One of the most exciting additions to our 2021 line-up are our three e-road bikes. Closely mimicking their 'non-assisted' counterparts, our three e-road bikes find their preferred playground in three different environments. While our eSCULTURA prefers the open road, our eSILEX seeks the path less travelled, and our eSPEEDER is most at home on sporty fitness riders and urban adventures. All three bikes are based on the same frame and feature the super-compact MAHLE drivetrain and battery system, yet their set-up and componentry package give our e-bikes distinctively different characters. However, what they all have in common is a super controlled 'tailwind' whenever you want and need it.



e S C U L T U R A —



e S I L E X —



e S P E E D E R —



SHIMANO STEPS COMPONENTS

The Shimano STePS power systems have taken the world of e-bikes by storm, offering smooth and highly effective power delivery while giving the customer the choice to pair the various elements in order to create the perfect e-bike drivetrain. One of the most influential forces in the world of cycling, Shimano has put all their design and engineering power into the STePS line-up and have been delivering unparalleled reliability and tunability (through the e-tube project) while offering the end-user a well-established service network in the unlikely case that something goes wrong. We at MERIDA equip the majority of our e-bikes with the STePS system which allows us to find the perfect motor, battery and component mix for each of our power-assisted bikes.

AVO
RIDE THE
LUTION



e-tubeproject.shimano.com

iOS Android

DRIVE UNITS

EP8

New for 2021, the EP8 motor unit sits at the very top of the STePS motor hierarchy. The unit is very much aimed at the performance-orientated mountain biker as well as at the trekking biker with more sporty ambitions. Delivering a maximum torque of 85 Nm and a finely tuned motor set-up, the EP8 fits perfectly into our eONE-SIXTY and eONE-FORTY as well as the top eBIG.NINE, eBIG.TOUR and eSPRESSO models. In comparison to its predecessor, the E8000, the new EP8 delivers a bigger power output (up to 85 from 70 Nm), but also offers lower weight, a further slimmed-down size, reduced noise and less friction. The extremely low weight and the compact size allow our designers to integrate the motor into the overall concept of the bike perfectly.



E7000

The performance-orientated motor with slightly less power than the top unit, the EP8, but at a more affordable price and still packed with lots of top-end features. Perfectly tunable via Shimano's e-tube project app, the E7000 delivers 60 Nm of power and features a Hollowtech II axle as well as a double sealed body for extra protection against water and dirt. The E7000 runs, similarly as the other STePS units, completely drag-free in case you decide to ride your bike without assistance or when you should run out of battery on the way home from the trails.



E6100

Launched in 2019, the 3rd motor in the STePS line-up is the trekking and city focused E6100 unit. The motor delivers an impressive 60 Nm which is specifically tuned to the needs and requirements of trekking and city e-bikes. The compact size of the unit enables a perfect integration of the motor into the frame while keeping a strong focus on the riding characteristics and the overall stiffness of the chassis – very important in particular when creating wave low step-through frames. The E6100 features Hollowtech II axle technology.



E5000

The entry level of the Shimano STePS motors and the chance to experience smooth, reliable and easy to operate STePS technology at a lower price level. The compact, super quiet and lightweight unit offers up to 40 Nm of torque and is perfect for the city and trekking usage. The ability to combine the motor with a variety of different battery and display options allows us to perfectly fit the motor into the overall concept of the bike.

COMPUTER DISPLAY & SHIFTERS

Shimano offers various display options, allowing us to perfectly tailor the equipment to the requirements of the rider. We either pair the motor with a Shimano STePS display or with the EW-EN100 junction box which allows the easy connectivity with a smartphone or third-party display which will show all the details and readings of the battery and motor. This makes for a simple and stylish bike at an attractive price point, perfect for the day-to-day use around town. The most important information like motor support level and battery charge are indicated on the micro LED display.



SC-EM800

Top-level colour display that sits neatly near the stem and out of harm's way. Easy to read allowing the rider to get the main information about speed, battery level, shifting mode, chosen gear, support level and assist gauge all in one display. For easy tunability and health checks, the unit can connect via Bluetooth and ANT Private wireless communication to Shimano's e-tube project app and 3rd party cycle computers.

SC-E7000

A display which offers all major functions of the top-level SC-EM800 unit without the colour-coded assist level indicator. Well out of harm's way, the unit fits neatly on the handlebar and near the stem so that it can be easily read without dominating the cockpit. The unit can connect via Bluetooth and ANT Private to Shimano's e-tube project app for easy tunability and health checks.

SC-E6100

Easy to operate, three button display with larger, easy to read screen that shows most major functions at the same time. The SC-6100 display is Bluetooth and ANT Private enabled for easy connectivity with Shimano's e-tube project app for easy tunability and health checks.



SW-EM800-L

Top-level shifter which makes switching between the various assist levels fast, easy and intuitive. The new button design makes it easy to switch between the various support level, even in the most demanding trail situations. The SW-EM800-L shifter offers well-defined clicks and the activation of the pushing aid (Power Walk Mode).

SW-E7000

A compact shifter with clearly defined buttons for fast and reliable shifting between the assist modes. Compatible with all Shimano STePS systems.

SW-E6010

Easy to operate shifter with larger buttons for straight forward shifting between the High, Normal, Eco and Off mode. Compatible with all Shimano STePS systems.

E5000/E5003

Switch and display combined in one unit that features a compact design yet provides the rider with all necessary information. The three top buttons allow an easy change of assist level as well as display menu access, while an additional light switch makes changing the light setting easy and straight forward. Compatible with all Shimano STePS systems.

CRANK ARMS

E-bike specific Shimano cranks featuring Hollowtech II technology for the best balance of stiffness, strength, weight and rotating performance. The ultra-lightweight hollow crank arm connects to a hollow axle for a perfect power transfer. We use a variety of different levels of these cranks to match them perfectly to the intended use and general specification package. In line with the exciting upgrades of the new EP8 motor, the new flag-ship power unit will be equipped with a new XT-level crank arm set (FC-M8150), for maximum power transfer and reduced weight.



BATTERY

Like all other Shimano STePS parts, the batteries are compatible with all other motors, shifters and display units so that the overall system can be perfectly tailored to the budget and the intended use. New for 2021 is the 630 Wh internal battery which will join the 504 Wh internal as well as the two existing semi-integrated batteries. All are removable for easy transportation and 'off the bike' charging.

BT-E8036

Top-level internal lithium-ion battery with 630 Wh capacity. The new slim design allows for slimmer and more attractive frame designs. Charges up from 0-100% in 5 hours (when EC-E8004 charger is used), and up to 50% in 2.5 hours. The battery is extremely durable and retains at least 60% of its original battery capacity after 1,000 charging cycles. It has a waterproof design and is impact and vibration resistant.

BT-E8035

Powerful internal lithium-ion battery that offers 504 Wh, charges up from 0-100% in 5 hours (when EC-E6000 charger is used) and retains at least 60% of its original battery capacity after 1,000 charging cycles. The aluminium cased battery is extremely compact, allowing us to seamlessly integrate it into the downtube for ample space for the rear shock, added water bottle fixing points and plenty of top tube clearance. It has a waterproof design and is impact and vibration resistant.

BT-E8035-L

Same powerful internal lithium-ion battery that offers 504 Wh, but fitted into the bigger 630 Wh housing of the new BT-E8036. Similar charging capability and remaining capacity as the BT-E8035 but fitted into the different housing, allowing our design team to create entry-level price point bikes following the stunning design of the 630 Wh internal battery frame platforms.

BT-E8010

Powerful lithium-ion battery that offers 504 Wh, charges up from 0-100% in 5 hours (when EC-E6000 charger is used). The battery is of compact design to allow for ample space for the rear shock and plenty of top tube clearance. It has a waterproof design and is impact and vibration resistant. A small LED display shows the charge level.

BT-E8014

Compact lithium-ion down tube battery pack offering 418 Wh and an approximate charging time of 4 hours (when charged with EC-E6000 charger). Even after 1,000 charging cycles, the battery still retains a minimum of 60% capacity. A small LED display shows the charge level.



MAHLE EBIKEMOTION COMPONENTS

For our newly added e-road bikes, we are using the trusted MAHLE ebikemotion X35+ motor and battery system that is renowned for its compact size, low weight and an extremely natural riding feeling when delivering assistance as well as when cruising above the 25 km/h maximum support level. All these aspects make our MAHLE equipped bikes feel almost like a non-assisted bike when going beyond the support level. The rear hub motor has almost no drag when not engaged and keeps the silhouette of the bike as 'non-e-bike' as possible. The intelligent software of the system offers the opportunity to set the support levels at usage-specific levels, allowing, for example, a road bike set-up to be distinctively different to a more urban configuration - ideal to give our three different e-road bikes the unique set-up their primary 'playgrounds' require.



X 3 5 + M O T O R

The rear hub MAHLE motor system X35+ offers 40 Nm of smooth and easy to use support and is powered by a 250 Wh internal battery. The system gives our e-road bikes an almost 'non-e-bike' silhouette while delivering natural and almost drag-free paddling assistance.



i W O C

To keep the cockpit as clean as possible, we have placed the iWOC on/off switch on the top tube. This location makes it perfect for reaching it in every riding condition. MAHLE's iWOC switch is not just an on/off switch but the rider can also toggle between the different support level by pressing the button. Different colours of the ring indicate at which level the system is running. Due to the combination of on/off and switching levels in one device the bike has a sleek and clean appearance, especially around the cockpit area. For an even cleaner look, the cables are routed through the headset directly into the frame. This means no e-motor cables at the front end of the bike.

B A T T E R Y

The battery is the heart of the MAHLE ebikemotion system. It is not only the fuel tank for the power supply; it is also the brain of the whole system. The control unit for the rear hub is also located in the thin battery casing. While the 250 Wh capacity doesn't sound a lot in the first instance, the weight and the efficiency of the rear hub engine in combination with the riding style of an e-road bike, the battery has enough capacity to have a long day in the saddle. And should the integrated battery prove to be not sufficient for an extra-long outing, then a 250 Wh range extender, that can be mounted to the frame like a water bottle, will make sure that there is plenty of juice in the tank.



DESIGN MEETS INNOVATION

PERFORMANCE



eONE-SIXTY

TRUE LEGACY - REINVENTED

Launched in 2020, our eONE-SIXTY managed to seamlessly follow in the footsteps of the 'original' eONE-SIXTY which was the most decorated, tested and awarded bike in MERIDA's history. The highly anticipated bike managed to collect a vast amount of amazing test results and wins, as well as added a few industry awards to its tally. For 2021, our e-enduro bike will be equipped with the all-new EP8 motor from Shimano as well as with the range extending 630 Wh internal battery. Improved performance numbers, a perfectly tuned MTB geometry, paired with a stiff and lightweight frame that seamlessly integrates the battery into the lower part of the downtube and a 29er / 650B wheel combo, the eONE-SIXTY is ready for pretty much anything you can throw at it.



1 — SATELLITE POINTS

The eONE-SIXTY features a perfectly positioned satellite on/off switch, at the head tube end of the top tube, and a well-protected satellite charging port, positioned in the main frame triangle, just above the motor.

2 — INTERNAL BLOCK

First introduced in our 2015 NINETY-SIX, the e-bike version of the 'Internal Block' is incorporated directly into the frame and prevents the fork crown from hitting the frame in case of a crash or an extreme steering angle. As an extra protection, there are additional rubber bumpers on the frame to avoid any frame damage from the fork crown.

3 — CLEVER WHEELS

To give the eONE-SIXTY precise steering, fantastic 'rolling over obstacles' behaviour yet maximum traction, we have combined a 29er front wheel with a 2.5" tyre and a 650B rear wheel, equipped with a slightly wider 2.6" tyre. The perfect combination of precision, playfulness and traction.

4 — SHIMANO'S EP8

Our eONE-SIXTY comes equipped with the new EP8 motor from Shimano STEPS. It offers an increased performance of 85 Nm, less weight, a further reduction in size and less friction. On top of that, the new 630 Wh internal battery offers an extended range and super-fast charging capabilities.

5 — THERMO GATE

Specifically located openings on the carbon eONE-SIXTY models near the head tube which work like a chimney and allow the warm air to dissipate to guarantee the optimum operating temperature of the internal battery. The 'Thermo Gate' enables the battery to perform at its best, in any condition.

6 — WATER CARRIER

Due to the integrated battery, we were able to offer water bottle cage fixing points, allowing bottles of up to 0.7l to be fitted into the main frame triangle. Great if you want to keep your back free of hydration packs and backpacks.



CARBON OR ALUMINIUM

Our eONE-SIXTY is available in two different frame options. A carbon front end combined with a 6061 aluminium rear end, or a more budget-friendly all-aluminium chassis. The geometry of the two options is identical.

eONE-SIXTY 10K

GLOSSY SPARKLING BLUE/MATT BLACK

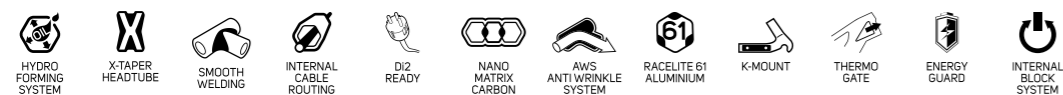
CFA II Carbon front triangle with integrated battery technology, paired with a 6061 rear end featuring an aggressive enduro/trail geometry and 150 mm rear wheel travel – Shimano STePS EP8 motors allow for short chain stays delivering agility. Internal cable guides for rattle free running. Full carbon motor bracket creates an integrated appearance of the motor into the frame as well as provides an extremely strong connection between frame and motor.

| XC/MARATHON | TRAIL | ALL MOUNTAIN | ENDURO |



| | |
|-----------------------|-------------------------------------------------------------------------------------------------------------------------------------|
| FRAME | eONE-SIXTY CFA II, material: carbon, 150mm suspension travel, 27.5x2.8" max. wheelsize, 148x12mm axle standard, intube, max. 630 Wh |
| FRAME SIZE | XS, S, M, L, XL |
| FORK | FOX 38 Factory eMTB+, Air, 160mm suspension travel, Tapered, 51mm fork offset, 29x2.6" max wheelsize |
| SHOCK | FOX Factory Float X2, platform |
| BRAKES | Shimano XTR |
| ROTORS | Shimano RT-MT900 / Shimano RT-EM910 |
| HEADSET | MERIDA-8152 |
| HANDLEBAR | MERIDA EXPERT eTR, 780mm width, 20mm rise |
| HANDLEBAR STEM | MERIDA EXPERT eTRII, material: aluminium, 35mm diameter, 0° stem angle, GoPro & Supernova mount, 40 mm all sizes |
| GRIP | MERIDA EXPERT EC |
| DERAILLEUR (R) | Shimano XTR Shadow+ |
| SHIFTERS | EC AXS ROCKSHOX LH 1BUTTON DIS / Shimano XTR M9100 |
| SEAT POST | SP REVERB AXS, 30.9mm diameter, 0mm setback, XS 125mm travel seatpost - S/M 150mm travel seatpost - L/XL 170mm travel seatpost |
| SEAT CLAMP | MERIDA EXPERT clamp |
| PEDAL | VP VPE-527 |
| CHAIN | CNM9100 |

| | |
|-----------------------|--------------------------------------------------------------------------------------------------------------------------------------------------------------------------------------------------------------|
| CHAINWHEEL | Shimano CRE80-12-B, 34 teeth, Shimano FCeM900 |
| FREEWHEEL | Shimano M9100, 10-51 teeth, 12 speed |
| BOTTOM BRACKET | included |
| WHEELSET | DT Swiss Spline HXC1250 Spline 30 boost, 110x15mm width front hub, 148x12mm width rear hub, 30mm inner width, Centerlock, micro spline, material: carbon, Tubeless ready (tubeless tape and valves included) |
| TIRES | Maxxis Assegai / Maxxis Agressor |
| LIGHTS | LEZYNE E-BIKE POWER STVZO E115, reverse MERIDA Custom Mount / LEZYNE LED FEMTO USB REAR STVZO |
| FENDER | C093-02F + C093-02R |
| DRIVE UNIT | Shimano EP8, 85Nm |
| BATTERY | Shimano E8036 630Wh / E8035 504Wh XS |
| DISPLAY | Shimano SC-EM800 |



eONE-SIXTY 10K

GLOSSY GREY/MATT BLACK

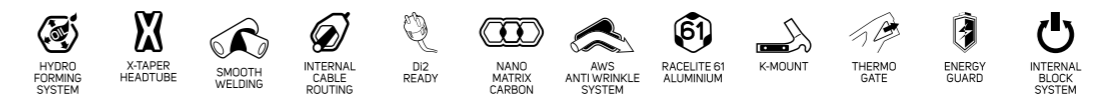
CFA II Carbon front triangle with integrated battery technology, paired with a 6061 rear end featuring an aggressive enduro/trail geometry and 150 mm rear wheel travel – Shimano STePS EP8 motors allow for short chain stays delivering agility. Internal cable guides for rattle free running. Full carbon motor bracket creates an integrated appearance of the motor into the frame as well as provides an extremely strong connection between frame and motor.

| XC/MARATHON | TRAIL | ALL MOUNTAIN | ENDURO |



| | |
|-----------------------|-------------------------------------------------------------------------------------------------------------------------------------|
| FRAME | eONE-SIXTY CFA II, material: carbon, 150mm suspension travel, 27.5x2.8" max. wheelsize, 148x12mm axle standard, intube, max. 630 Wh |
| FRAME SIZE | XS, S, M, L, XL |
| FORK | FOX 38 Factory eMTB+, Air, 160mm suspension travel, Tapered, 51mm fork offset, 29x2.6" max wheelsize |
| SHOCK | FOX Factory Float X2, platform |
| BRAKES | Shimano XTR |
| ROTORS | Shimano RT-MT900 / Shimano RT-EM910 |
| HEADSET | MERIDA-8152 |
| HANDLEBAR | MERIDA EXPERT eTR, 780mm width, 20mm rise |
| HANDLEBAR STEM | MERIDA EXPERT eTRII, material: aluminium, 35mm diameter, 0° stem angle, GoPro & Supernova mount, 40 mm all sizes |
| GRIP | MERIDA EXPERT EC |
| DERAILLEUR (R) | Shimano XTR Shadow+ |
| SHIFTERS | EC AXS ROCKSHOX LH 1BUTTON DIS / Shimano XTR M9100 |
| SEAT POST | SP REVERB AXS, 30.9mm diameter, 0mm setback, XS 125mm travel seatpost - S/M 150mm travel seatpost - L/XL 170mm travel seatpost |
| SEAT CLAMP | MERIDA EXPERT clamp |
| PEDAL | VP VPE-527 |
| CHAIN | CNM9100 |

| | |
|-----------------------|--------------------------------------------------------------------------------------------------------------------------------------------------------------------------------------------------------------|
| CHAINWHEEL | Shimano CRE80-12-B, 34 teeth, Shimano FCeM900 |
| FREEWHEEL | Shimano M9100, 10-51 teeth, 12 speed |
| BOTTOM BRACKET | included |
| WHEELSET | DT Swiss Spline HXC1250 Spline 30 boost, 110x15mm width front hub, 148x12mm width rear hub, 30mm inner width, Centerlock, micro spline, material: carbon, Tubeless ready (tubeless tape and valves included) |
| TIRES | Maxxis Assegai / Maxxis Agressor |
| LIGHTS | LEZYNE E-BIKE POWER STVZO E115, reverse MERIDA Custom Mount / LEZYNE LED FEMTO USB REAR STVZO |
| FENDER | C093-02F + C093-02R |
| DRIVE UNIT | Shimano EP8, 85Nm |
| BATTERY | Shimano E8036 630Wh / E8035 504Wh XS |
| DISPLAY | Shimano SC-EM800 |



eONE-SIXTY 9000

GLOSSY GREY/MATT BLACK

CFA II Carbon front triangle with integrated battery technology, paired with a 6061 rear end featuring an aggressive enduro/trail geometry and 150 mm rear wheel travel – Shimano STePS EP8 motors allow for short chain stays delivering agility. Internal cable guides for rattle free running. Full carbon motor bracket creates an integrated appearance of the motor into the frame as well as provides an extremely strong connection between frame and motor.

| XC/MARATHON | TRAIL | ALL MOUNTAIN | ENDURO |



| | |
|-----------------------|-------------------------------------------------------------------------------------------------------------------------------------|
| FRAME | eONE-SIXTY CFA II, material: carbon, 150mm suspension travel, 27.5x2.8" max. wheelsize, 148x12mm axle standard, intube, max. 630 Wh |
| FRAME SIZE | XS, S, M, L, XL |
| FORK | FOX 38 Elite eMTB+ Air, 160mm suspension travel, Tapered, 51mm fork offset, 29x2.6" max wheelsize |
| SHOCK | FOX Float DPX2 Elite, platform |
| BRAKES | Shimano XT |
| ROTORS | Shimano RT-MT900 / Shimano RT-EM910 |
| HEADSET | MERIDA-8152 |
| HANDLEBAR | MERIDA EXPERT eTR, 780mm width, 20mm rise |
| HANDLEBAR STEM | MERIDA EXPERT eTRII, material: aluminium, 35mm diameter, 0° stem angle, GoPro & Supernova mount, 40 mm all sizes |
| GRIP | MERIDA EXPERT EC |
| DERAILLEUR (R) | Shimano XT RDM8100 Shadow+ 12 |
| SHIFTERS | Shimano SL -MT800-IL / Shimano XT M8100 12 |
| SEAT POST | MERIDA EXPERT TR, 30.9mm diameter, 0mm setback, XS 125mm travel seatpost - S/M 150mm travel seatpost - L/XL 170mm travel seatpost |
| SEAT CLAMP | MERIDA EXPERT clamp |
| SADDLE | MERIDA EXPERT CC, V-mount |
| PEDAL | VP VPE-527 |

| | |
|-----------------------|-----------------------------------------------------------------------------------------------------------------------------------------------------------------------------------------------------------|
| CHAIN | CNM8100 |
| CHAINWHEEL | Shimano CRE80-12-B, 34 teeth, Shimano FCEM900 |
| FREEWHEEL | Shimano M8100, 10-51 teeth, 12 speed |
| BOTTOM BRACKET | included |
| WHEELSET | DT Swiss Spline HX1501 ONE 30 boost, 110x15mm width front hub, 148x12mm width rear hub, 30mm inner width, Centerlock, microspine, material: aluminium, Tubeless ready (tubeless tape and valves included) |
| AXLES | MERIDA EXPERT TR |
| TIRES | Maxxis Assegai / Maxxis Agressor |
| LIGHTS | LEZYNE E-BIKE POWER STVZO E115, reverse MERIDA Custom Mount / LEZYNE LED FEMTO USB REAR STVZO |
| FENDER | C093-02F + C093-02R |
| DRIVE UNIT | Shimano EP8, 85Nm |
| BATTERY | Shimano E8036 630Wh / E8035 504Wh XS |
| DISPLAY | Shimano SC-EM800 |



eONE-SIXTY 9000

GLOSSY RED/MATT BLACK

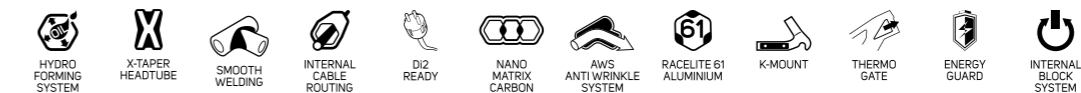
CFA II Carbon front triangle with integrated battery technology, paired with a 6061 rear end featuring an aggressive enduro/trail geometry and 150 mm rear wheel travel – Shimano STePS EP8 motors allow for short chain stays delivering agility. Internal cable guides for rattle free running. Full carbon motor bracket creates an integrated appearance of the motor into the frame as well as provides an extremely strong connection between frame and motor.

| XC/MARATHON | TRAIL | ALL MOUNTAIN | ENDURO |



| | |
|-----------------------|-------------------------------------------------------------------------------------------------------------------------------------|
| FRAME | eONE-SIXTY CFA II, material: carbon, 150mm suspension travel, 27.5x2.8" max. wheelsize, 148x12mm axle standard, intube, max. 630 Wh |
| FRAME SIZE | XS, S, M, L, XL |
| FORK | FOX 38 Elite eMTB+ Air, 160mm suspension travel, Tapered, 51mm fork offset, 29x2.6" max wheelsize |
| SHOCK | FOX Float DPX2 Elite, platform |
| BRAKES | Shimano XT |
| ROTORS | Shimano RT-MT900 / Shimano RT-EM910 |
| HEADSET | MERIDA-8152 |
| HANDLEBAR | MERIDA EXPERT eTR, 780mm width, 20mm rise |
| HANDLEBAR STEM | MERIDA EXPERT eTRII, material: aluminium, 35mm diameter, 0° stem angle, GoPro & Supernova mount, 40 mm all sizes |
| GRIP | MERIDA EXPERT EC |
| DERAILLEUR (R) | Shimano XT RDM8100 Shadow+ 12 |
| SHIFTERS | Shimano SL -MT800-IL / Shimano XT M8100 12 |
| SEAT POST | MERIDA EXPERT TR, 30.9mm diameter, 0mm setback, XS 125mm travel seatpost - S/M 150mm travel seatpost - L/XL 170mm travel seatpost |
| SEAT CLAMP | MERIDA EXPERT clamp |
| SADDLE | MERIDA EXPERT CC, V-mount |
| PEDAL | VP VPE-527 |

| | |
|-----------------------|-----------------------------------------------------------------------------------------------------------------------------------------------------------------------------------------------------------|
| CHAIN | CNM8100 |
| CHAINWHEEL | Shimano CRE80-12-B, 34 teeth, Shimano FCEM900 |
| FREEWHEEL | Shimano M8100, 10-51 teeth, 12 speed |
| BOTTOM BRACKET | included |
| WHEELSET | DT Swiss Spline HX1501 ONE 30 boost, 110x15mm width front hub, 148x12mm width rear hub, 30mm inner width, Centerlock, microspine, material: aluminium, Tubeless ready (tubeless tape and valves included) |
| AXLES | MERIDA EXPERT TR |
| TIRES | Maxxis Assegai / Maxxis Agressor |
| LIGHTS | LEZYNE E-BIKE POWER STVZO E115, reverse MERIDA Custom Mount / LEZYNE LED FEMTO USB REAR STVZO |
| FENDER | C093-02F + C093-02R |
| DRIVE UNIT | Shimano EP8, 85Nm |
| BATTERY | Shimano E8036 630Wh / E8035 504Wh XS |
| DISPLAY | Shimano SC-EM800 |



eONE-SIXTY 8000

GLOSSY GREY/MATT BLACK

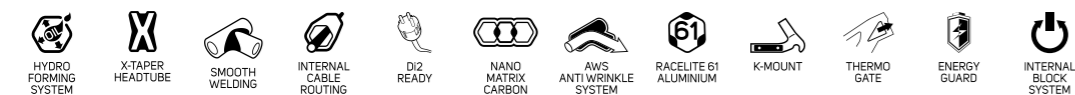
CFA II Carbon front triangle with integrated battery technology, paired with a 6061 rear end featuring an aggressive enduro/trail geometry and 150 mm rear wheel travel – Shimano STePS EP8 motors allow for short chain stays delivering agility. Internal cable guides for rattle free running. Full carbon motor bracket creates an integrated appearance of the motor into the frame as well as provides an extremely strong connection between frame and motor.

| XC/MARATHON | TRAIL | ALL MOUNTAIN | ENDURO |



| | |
|-----------------------|-------------------------------------------------------------------------------------------------------------------------------------|
| FRAME | eONE-SIXTY CFA II, material: carbon, 150mm suspension travel, 27.5x2.8" max. wheelsize, 148x12mm axle standard, intube, max. 630 Wh |
| FRAME SIZE | XS, S, M, L, XL |
| FORK | Marzocchi Z1 Ebike+, Air, 160mm suspension travel, Tapered, 51mm fork offset, 29x2.6" max wheelsize |
| SHOCK | FOX Float DPX2 Performance, platform |
| BRAKES | Shimano SLX |
| ROTORS | Shimano RT64 / Shimano RTEM600 |
| HEADSET | MERIDA-8152 |
| HANDLEBAR | MERIDA EXPERT eTR, 780mm width, 20mm rise |
| HANDLEBAR STEM | MERIDA EXPERT eTRII, material: aluminium, 35mm diameter, 0° stem angle, GoPro & Supernova mount, 40 mm all sizes |
| GRIP | MERIDA EXPERT EC |
| DERAILLEUR (R) | Shimano XT RDM8100 Shadow+ 12 |
| SHIFTERS | Shimano SL -MT500-IL / Shimano XT M8100 12 |
| SEAT POST | MERIDA EXPERT TR, 30.9mm diameter, 0mm setback, XS 125mm travel seatpost - S/M 150mm travel seatpost - L/XL 170mm travel seatpost |
| SEAT CLAMP | MERIDA EXPERT clamp |
| SADDLE | MERIDA EXPERT CC, V-mount |
| PEDAL | VP VPE-527 |

| | |
|-----------------------|-----------------------------------------------------------------------------------------------------------------|
| CHAIN | CN-M6100 |
| CHAINWHEEL | Shimano CRE80-12-B, 34 teeth, Shimano FCEM600 |
| FREEWHEEL | Shimano M7100, 10-51 teeth, 12 speed |
| BOTTOM BRACKET | included |
| RIM | MERIDA EXPERT TR, 29mm inner width, material: aluminium, Tubeless ready (tubeless tape and valves not included) |
| HUBS | Shimano SLX |
| AXLES | MERIDA EXPERT TR |
| SPOKES | Black stainless |
| TIRES | Maxxis Assegai / Maxxis Agressor |
| LIGHTS | LEZYNE E-BIKE POWER STVZO E115, reverse MERIDA Custom Mount / USB REAR Light CG-214RG |
| FENDER | C093-02F + C093-02R |
| DRIVE UNIT | Shimano EP8, 85Nm |
| BATTERY | Shimano E8036 630Wh / E8035 504Wh XS |
| DISPLAY | Shimano SC-E7000 |



eONE-SIXTY 8000

MATT GREEN/BLACK

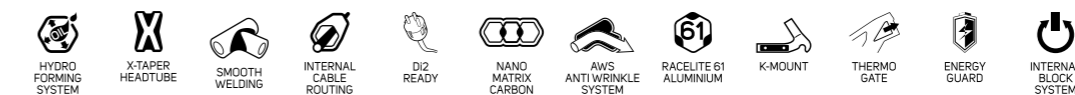
CFA II Carbon front triangle with integrated battery technology, paired with a 6061 rear end featuring an aggressive enduro/trail geometry and 150 mm rear wheel travel – Shimano STePS EP8 motors allow for short chain stays delivering agility. Internal cable guides for rattle free running. Full carbon motor bracket creates an integrated appearance of the motor into the frame as well as provides an extremely strong connection between frame and motor.

| XC/MARATHON | TRAIL | ALL MOUNTAIN | ENDURO |



| | |
|-----------------------|-------------------------------------------------------------------------------------------------------------------------------------|
| FRAME | eONE-SIXTY CFA II, material: carbon, 150mm suspension travel, 27.5x2.8" max. wheelsize, 148x12mm axle standard, intube, max. 630 Wh |
| FRAME SIZE | XS, S, M, L, XL |
| FORK | Marzocchi Z1 Ebike+, Air, 160mm suspension travel, Tapered, 51mm fork offset, 29x2.6" max wheelsize |
| SHOCK | FOX Float DPX2 Performance, platform |
| BRAKES | Shimano SLX |
| ROTORS | Shimano RT64 / Shimano RTEM600 |
| HEADSET | MERIDA-8152 |
| HANDLEBAR | MERIDA EXPERT eTR, 780mm width, 20mm rise |
| HANDLEBAR STEM | MERIDA EXPERT eTRII, material: aluminium, 35mm diameter, 0° stem angle, GoPro & Supernova mount, 40 mm all sizes |
| GRIP | MERIDA EXPERT EC |
| DERAILLEUR (R) | Shimano XT RDM8100 Shadow+ 12 |
| SHIFTERS | Shimano SL -MT500-IL / Shimano XT M8100 12 |
| SEAT POST | MERIDA EXPERT TR, 30.9mm diameter, 0mm setback, XS 125mm travel seatpost - S/M 150mm travel seatpost - L/XL 170mm travel seatpost |
| SEAT CLAMP | MERIDA EXPERT clamp |
| SADDLE | MERIDA EXPERT CC, V-mount |
| PEDAL | VP VPE-527 |

| | |
|-----------------------|-----------------------------------------------------------------------------------------------------------------|
| CHAIN | CN-M6100 |
| CHAINWHEEL | Shimano CRE80-12-B, 34 teeth, Shimano FCEM600 |
| FREEWHEEL | Shimano M7100, 10-51 teeth, 12 speed |
| BOTTOM BRACKET | included |
| RIM | MERIDA EXPERT TR, 29mm inner width, material: aluminium, Tubeless ready (tubeless tape and valves not included) |
| HUBS | Shimano SLX |
| AXLES | MERIDA EXPERT TR |
| SPOKES | Black stainless |
| TIRES | Maxxis Assegai / Maxxis Agressor |
| LIGHTS | LEZYNE E-BIKE POWER STVZO E115, reverse MERIDA Custom Mount / USB REAR Light CG-214RG |
| FENDER | C093-02F + C093-02R |
| DRIVE UNIT | Shimano EP8, 85Nm |
| BATTERY | Shimano E8036 630Wh / E8035 504Wh XS |
| DISPLAY | Shimano SC-E7000 |



eONE-SIXTY 8000

GLOSSY ORANGE/MATT BLACK

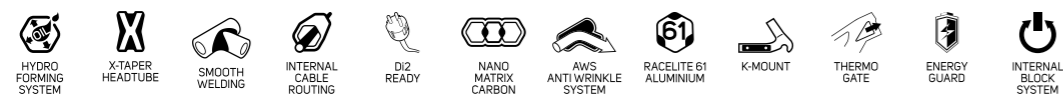
CFA II Carbon front triangle with integrated battery technology, paired with a 6061 rear end featuring an aggressive enduro/trail geometry and 150 mm rear wheel travel – Shimano STePS EP8 motors allow for short chain stays delivering agility. Internal cable guides for rattle free running. Full carbon motor bracket creates an integrated appearance of the motor into the frame as well as provides an extremely strong connection between frame and motor.

| XC/MARATHON | TRAIL | ALL MOUNTAIN | ENDURO |



| | |
|-----------------------|-------------------------------------------------------------------------------------------------------------------------------------|
| FRAME | eONE-SIXTY CFA II, material: carbon, 150mm suspension travel, 27.5x2.8" max. wheelsize, 148x12mm axle standard, intube, max. 630 Wh |
| FRAME SIZE | XS, S, M, L, XL |
| FORK | Marzocchi Z1 Ebike+, Air, 160mm suspension travel, Tapered, 51mm fork offset, 29x2.6" max wheelsize |
| SHOCK | FOX Float DPX2 Performance, platform |
| BRAKES | Shimano SLX |
| ROTORS | Shimano RT64 / Shimano RTEM600 |
| HEADSET | MERIDA-8152 |
| HANDLEBAR | MERIDA EXPERT eTR, 780mm width, 20mm rise |
| HANDLEBAR STEM | MERIDA EXPERT eTRII, material: aluminium, 35mm diameter, 0° stem angle, GoPro & Supernova mount, 40 mm all sizes |
| GRIP | MERIDA EXPERT EC |
| DERAILLEUR (R) | Shimano XT RDM8100 Shadow+ 12 |
| SHIFTERS | Shimano SL -MT500-IL / Shimano XT M8100 12 |
| SEAT POST | MERIDA EXPERT TR, 30.9mm diameter, 0mm setback, XS 125mm travel seatpost - S/M 150mm travel seatpost - L/XL 170mm travel seatpost |
| SEAT CLAMP | MERIDA EXPERT clamp |
| SADDLE | MERIDA EXPERT CC, V-mount |
| PEDAL | VP VPE-527 |

| | |
|-----------------------|-----------------------------------------------------------------------------------------------------------------|
| CHAIN | CN-M6100 |
| CHAINWHEEL | Shimano CRE80-12-B, 34 teeth, Shimano FCEM600 |
| FREEWHEEL | Shimano M7100, 10-51 teeth, 12 speed |
| BOTTOM BRACKET | included |
| RIM | MERIDA EXPERT TR, 29mm inner width, material: aluminium, Tubeless ready (tubeless tape and valves not included) |
| HUBS | Shimano SLX |
| AXLES | MERIDA EXPERT TR |
| SPOKES | Black stainless |
| TIRES | Maxxis Assegai / Maxxis Agressor |
| LIGHTS | LEZYNE E-BIKE POWER STVZO E115, reverse MERIDA Custom Mount / USB REAR Light CG-214RG |
| FENDER | C093-02F + C093-02R |
| DRIVE UNIT | Shimano EP8, 85Nm |
| BATTERY | Shimano E8036 630Wh / E8035 504Wh XS |
| DISPLAY | Shimano SC-E7000 |



eONE-SIXTY 700

MATT TITAN/BLACK

LITE III HFS-hydroformed Racelite 61 double butted aluminium frame featuring internal battery technology and an aggressive enduro geometry with 150 mm rear wheel travel. Shimano STePS EP8 motor allows for short chain stays delivering agility. 'Smart Entry' cable routing for rattle free running. Casting motor bracket creates an integrated appearance of the motor into the frame as well as provides an extremely strong connection between frame and motor.

| XC/MARATHON | TRAIL | ALL MOUNTAIN | ENDURO |



| | |
|-----------------------|------------------------------------------------------------------------------------------------------------------------------------------|
| FRAME | eONE-SIXTY LITE III, material: aluminium, 150mm suspension travel, 27.5x2.8" max. wheelsize, 148x12mm axle standard, intube, max. 630 Wh |
| FRAME SIZE | XS, S, M, L, XL |
| FORK | Marzocchi Z1 Ebike+, Air, 160mm suspension travel, Tapered, 51mm fork offset, 29x2.6" max wheelsize |
| SHOCK | FOX Float DPX2 Performance, platform |
| BRAKES | Shimano SLX |
| ROTORS | Shimano RT64 / Shimano RTEM600 |
| HEADSET | MERIDA-8152 |
| HANDLEBAR | MERIDA EXPERT eTR, 780mm width, 20mm rise |
| HANDLEBAR STEM | MERIDA EXPERT eTRII, material: aluminium, 35mm diameter, 0° stem angle, GoPro & Supernova mount, 40 mm all sizes |
| GRIP | MERIDA EXPERT EC |
| DERAILLEUR (R) | Shimano XT RDM8100 Shadow+ 12 |
| SHIFTERS | Shimano SL -MT500-IL / Shimano DEORE M6100 12 |
| SEAT POST | MERIDA EXPERT TR, 30.9mm diameter, 0mm setback, XS: 125mm travel seatpost - S/M 150mm travel seatpost - L/XL 170mm travel seatpost |
| SEAT CLAMP | MERIDA EXPERT clamp |
| SADDLE | MERIDA EXPERT CC, V-mount |
| PEDAL | VP VPE-527 |

| | |
|-----------------------|-----------------------------------------------------------------------------------------------------------------|
| CHAIN | CN-M6100 |
| CHAINWHEEL | Shimano CRE80-12-B, 34 teeth, Shimano FC6M600 |
| FREEWHEEL | Shimano M6100, 10-51 teeth, 12 speed |
| BOTTOM BRACKET | included |
| RIM | MERIDA EXPERT TR, 29mm inner width, material: aluminium, Tubeless ready (tubeless tape and valves not included) |
| HUBS | Shimano SLX |
| AXLES | MERIDA EXPERT TR |
| SPOKES | Black stainless |
| TIRES | Maxxis Assegai / Maxxis Agressor |
| LIGHTS | LEZYNE E-BIKE POWER STVZO E115, reverse MERIDA Custom Mount / USB REAR Light CG-214RG |
| FENDER | C093-02F + C093-02R |
| DRIVE UNIT | Shimano EP8, 85Nm |
| BATTERY | Shimano E8036 630Wh / E8035 504Wh XS |
| DISPLAY | Shimano SC-E7000 |



eONE-SIXTY 700

GLOSSY METALLIC TEAL/ANTHRACITE

LITE III HFS-hydroformed Racelite 61 double butted aluminium frame featuring internal battery technology and an aggressive enduro geometry with 150 mm rear wheel travel. Shimano STePS EP8 motor allows for short chain stays delivering agility. 'Smart Entry' cable routing for rattle free running. Casting motor bracket creates an integrated appearance of the motor into the frame as well as provides an extremely strong connection between frame and motor.

| XC/MARATHON | TRAIL | ALL MOUNTAIN | ENDURO |



| | |
|-----------------------|------------------------------------------------------------------------------------------------------------------------------------------|
| FRAME | eONE-SIXTY LITE III, material: aluminium, 150mm suspension travel, 27.5x2.8" max. wheelsize, 148x12mm axle standard, intube, max. 630 Wh |
| FRAME SIZE | XS, S, M, L, XL |
| FORK | Marzocchi Z1 Ebike+, Air, 160mm suspension travel, Tapered, 51mm fork offset, 29x2.6" max wheelsize |
| SHOCK | FOX Float DPX2 Performance, platform |
| BRAKES | Shimano SLX |
| ROTORS | Shimano RT64 / Shimano RTEM600 |
| HEADSET | MERIDA-8152 |
| HANDLEBAR | MERIDA EXPERT eTR, 780mm width, 20mm rise |
| HANDLEBAR STEM | MERIDA EXPERT eTRII, material: aluminium, 35mm diameter, 0° stem angle, GoPro & Supernova mount, 40 mm all sizes |
| GRIP | MERIDA EXPERT EC |
| DERAILLEUR (R) | Shimano XT RDM8100 Shadow+ 12 |
| SHIFTERS | Shimano SL -MT500-IL / Shimano DEORE M6100 12 |
| SEAT POST | MERIDA EXPERT TR, 30.9mm diameter, 0mm setback, XS: 125mm travel seatpost - S/M 150mm travel seatpost - L/XL 170mm travel seatpost |
| SEAT CLAMP | MERIDA EXPERT clamp |
| SADDLE | MERIDA EXPERT CC, V-mount |
| PEDAL | VP VPE-527 |

| | |
|-----------------------|-----------------------------------------------------------------------------------------------------------------|
| CHAIN | CN-M6100 |
| CHAINWHEEL | Shimano CRE80-12-B, 34 teeth, Shimano FC6M600 |
| FREEWHEEL | Shimano M6100, 10-51 teeth, 12 speed |
| BOTTOM BRACKET | included |
| RIM | MERIDA EXPERT TR, 29mm inner width, material: aluminium, Tubeless ready (tubeless tape and valves not included) |
| HUBS | Shimano SLX |
| AXLES | MERIDA EXPERT TR |
| SPOKES | Black stainless |
| TIRES | Maxxis Assegai / Maxxis Agressor |
| LIGHTS | LEZYNE E-BIKE POWER STVZO E115, reverse MERIDA Custom Mount / USB REAR Light CG-214RG |
| FENDER | C093-02F + C093-02R |
| DRIVE UNIT | Shimano EP8, 85Nm |
| BATTERY | Shimano E8036 630Wh / E8035 504Wh XS |
| DISPLAY | Shimano SC-E7000 |



eONE-SIXTY 700

MATT STEEL BLUE/BLACK (RED)

LITE III HFS-hydroformed Racelite 61 double butted aluminium frame featuring internal battery technology and an aggressive enduro geometry with 150 mm rear wheel travel. Shimano STePS EP8 motor allows for short chain stays delivering agility. 'Smart Entry' cable routing for rattle free running. Casting motor bracket creates an integrated appearance of the motor into the frame as well as provides an extremely strong connection between frame and motor.

| XC/MARATHON | TRAIL | ALL MOUNTAIN | ENDURO |



| | |
|-----------------------|------------------------------------------------------------------------------------------------------------------------------------------|
| FRAME | eONE-SIXTY LITE III, material: aluminium, 150mm suspension travel, 27.5x2.8" max. wheelsize, 148x12mm axle standard, intube, max. 630 Wh |
| FRAME SIZE | XS, S, M, L, XL |
| FORK | Marzocchi Z1 Ebike+, Air, 160mm suspension travel, Tapered, 51mm fork offset, 29x2.6" max wheelsize |
| SHOCK | FOX Float DPX2 Performance, platform |
| BRAKES | Shimano SLX |
| ROTORS | Shimano RT64 / Shimano RTEM600 |
| HEADSET | MERIDA-8152 |
| HANDLEBAR | MERIDA EXPERT eTR, 780mm width, 20mm rise |
| HANDLEBAR STEM | MERIDA EXPERT eTRII, material: aluminium, 35mm diameter, 0° stem angle, GoPro & Supernova mount, 40 mm all sizes |
| GRIP | MERIDA EXPERT EC |
| DERAILLEUR (R) | Shimano XT RDM8100 Shadow+ 12 |
| SHIFTERS | Shimano SL -MT500-IL / Shimano DEORE M6100 12 |
| SEAT POST | MERIDA EXPERT TR, 30.9mm diameter, 0mm setback, XS: 125mm travel seatpost - S/M 150mm travel seatpost - L/XL 170mm travel seatpost |
| SEAT CLAMP | MERIDA EXPERT clamp |
| SADDLE | MERIDA EXPERT CC, V-mount |
| PEDAL | VP VPE-527 |

| | |
|-----------------------|-----------------------------------------------------------------------------------------------------------------|
| CHAIN | CN-M6100 |
| CHAINWHEEL | Shimano CRE80-12-B, 34 teeth, Shimano FC6M600 |
| FREEWHEEL | Shimano M6100, 10-51 teeth, 12 speed |
| BOTTOM BRACKET | included |
| RIM | MERIDA EXPERT TR, 29mm inner width, material: aluminium, Tubeless ready (tubeless tape and valves not included) |
| HUBS | Shimano SLX |
| AXLES | MERIDA EXPERT TR |
| SPOKES | Black stainless |
| TIRES | Maxxis Assegai / Maxxis Agressor |
| LIGHTS | LEZYNE E-BIKE POWER STVZO E115, reverse MERIDA Custom Mount / USB REAR Light CG-214RG |
| FENDER | C093-02F + C093-02R |
| DRIVE UNIT | Shimano EP8, 85Nm |
| BATTERY | Shimano E8036 630Wh / E8035 504Wh XS |
| DISPLAY | Shimano SC-E7000 |



eONE-SIXTY 500

MATT TITAN/BLACK

LITE III HFS-hydroformed Racelite 61 double butted aluminium frame featuring internal battery technology and an aggressive enduro geometry with 150 mm rear wheel travel. Shimano STePS EP8 motor allows for short chain stays delivering agility. 'Smart Entry' cable routing for rattle free running. Casting motor bracket creates an integrated appearance of the motor into the frame as well as provides an extremely strong connection between frame and motor.

| XC/MARATHON | TRAIL | ALL MOUNTAIN | ENDURO |



| | |
|-----------------------|------------------------------------------------------------------------------------------------------------------------------------------|
| FRAME | eONE-SIXTY LITE III, material: aluminium, 150mm suspension travel, 27.5x2.8" max. wheelsize, 148x12mm axle standard, intube, max. 630 Wh |
| FRAME SIZE | XS, S, M, L, XL |
| FORK | Rock Shox 35 Gold RL, Air, 160mm suspension travel, Tapered, 51mm fork offset, 29x2.8" max wheelsize |
| SHOCK | Rock Shox Deluxe Select+ |
| BRAKES | Shimano M4100 |
| ROTORS | Shimano RT30 / Shimano RTEM300 |
| HEADSET | MERIDA-8152 |
| HANDLEBAR | MERIDA EXPERT eTR, 780mm width, 20mm rise |
| HANDLEBAR STEM | MERIDA EXPERT eTRII, material: aluminium, 35mm diameter, 0° stem angle, GoPro & Supernova mount, 40 mm all sizes |
| GRIP | MERIDA EXPERT EC |
| DERAILLEUR (R) | Shimano Deore RDM5100 11 |
| SHIFTERS | Shimano SL -MT500-IL / Shimano Deore M5100 11 |
| SEAT POST | MERIDA COMP TR, 30.9mm diameter, 0mm setback, XS 100mm travel seatpost - S/M 125mm travel seatpost - L/XL 150mm travel seatpost |
| SEAT CLAMP | MERIDA EXPERT clamp |
| SADDLE | MERIDA COMP CC, V-mount |
| PEDAL | VP VPE-537 |

| | |
|-----------------------|---------------------------------------------------------------------------------------------------------------|
| CHAIN | HG601-11 |
| CHAINWHEEL | Shimano CRE70B, 34 teeth, Shimano FC6M600 |
| FREEWHEEL | Shimano M5100, 11-51 teeth, 11 speed |
| BOTTOM BRACKET | included |
| RIM | MERIDA COMP TR, 29mm inner width, material: aluminium, Tubeless ready (tubeless tape and valves not included) |
| HUBS | Shimano MT400-B |
| AXLES | MERIDA EXPERT TR |
| SPOKES | Black stainless |
| TIRES | Kenda Regolith |
| LIGHTS | LEZYNE E-BIKE POWER STVZO E115, reverse MERIDA Custom Mount / USB REAR Light CG-214RG |
| FENDER | C093-02F + C093-02R |
| DRIVE UNIT | Shimano EP8, 85Nm |
| BATTERY | Shimano E8036 630Wh / E8035 504Wh XS |
| DISPLAY | Shimano SC-E5003 |



eONE-SIXTY 500

TEAL BLUE/LIME

LITE III HFS-hydroformed Racelite 61 double butted aluminium frame featuring internal battery technology and an aggressive enduro geometry with 150 mm rear wheel travel. Shimano STePS EP8 motor allows for short chain stays delivering agility. 'Smart Entry' cable routing for rattle free running. Casting motor bracket creates an integrated appearance of the motor into the frame as well as provides an extremely strong connection between frame and motor.

| XC/MARATHON | TRAIL | ALL MOUNTAIN | ENDURO |



| | |
|-----------------------|------------------------------------------------------------------------------------------------------------------------------------------|
| FRAME | eONE-SIXTY LITE III, material: aluminium, 150mm suspension travel, 27.5x2.8" max. wheelsize, 148x12mm axle standard, intube, max. 630 Wh |
| FRAME SIZE | XS, S, M, L, XL |
| FORK | Rock Shox 35 Gold RL, Air, 160mm suspension travel, Tapered, 51mm fork offset, 29x2.8" max wheelsize |
| SHOCK | Rock Shox Deluxe Select+ |
| BRAKES | Shimano M4100 |
| ROTORS | Shimano RT30 / Shimano RTEM300 |
| HEADSET | MERIDA-8152 |
| HANDLEBAR | MERIDA EXPERT eTR, 780mm width, 20mm rise |
| HANDLEBAR STEM | MERIDA EXPERT eTRII, material: aluminium, 35mm diameter, 0° stem angle, GoPro & Supernova mount, 40 mm all sizes |
| GRIP | MERIDA EXPERT EC |
| DERAILLEUR (R) | Shimano Deore RDM5100 11 |
| SHIFTERS | Shimano SL -MT500-IL / Shimano Deore M5100 11 |
| SEAT POST | MERIDA COMP TR, 30.9mm diameter, 0mm setback, XS 100mm travel seatpost - S/M 125mm travel seatpost - L/XL 150mm travel seatpost |
| SEAT CLAMP | MERIDA EXPERT clamp |
| SADDLE | MERIDA COMP CC, V-mount |
| PEDAL | VP VPE-537 |

| | |
|-----------------------|---------------------------------------------------------------------------------------------------------------|
| CHAIN | HG601-11 |
| CHAINWHEEL | Shimano CRE70B, 34 teeth, Shimano FC6M600 |
| FREEWHEEL | Shimano M5100, 11-51 teeth, 11 speed |
| BOTTOM BRACKET | included |
| RIM | MERIDA COMP TR, 29mm inner width, material: aluminium, Tubeless ready (tubeless tape and valves not included) |
| HUBS | Shimano MT400-B |
| AXLES | MERIDA EXPERT TR |
| SPOKES | Black stainless |
| TIRES | Kenda Regolith |
| LIGHTS | LEZYNE E-BIKE POWER STVZO E115, reverse MERIDA Custom Mount / USB REAR Light CG-214RG |
| FENDER | C093-02F + C093-02R |
| DRIVE UNIT | Shimano EP8, 85Nm |
| BATTERY | Shimano E8036 630Wh / E8035 504Wh XS |
| DISPLAY | Shimano SC-E5003 |



eONE-SIXTY 500

SILK GREEN/ANTHRACITE

LITE III HFS-hydroformed Racelite 61 double butted aluminium frame featuring internal battery technology and an aggressive enduro geometry with 150 mm rear wheel travel. Shimano STePS EP8 motor allows for short chain stays delivering agility. 'Smart Entry' cable routing for rattle free running. Casting motor bracket creates an integrated appearance of the motor into the frame as well as provides an extremely strong connection between frame and motor.

| XC/MARATHON | TRAIL | ALL MOUNTAIN | ENDURO |



| | |
|-----------------------|------------------------------------------------------------------------------------------------------------------------------------------|
| FRAME | eONE-SIXTY LITE III, material: aluminium, 150mm suspension travel, 27.5x2.8" max. wheelsize, 148x12mm axle standard, intube, max. 630 Wh |
| FRAME SIZE | XS, S, M, L, XL |
| FORK | Rock Shox 35 Gold RL, Air, 160mm suspension travel, Tapered, 51mm fork offset, 29x2.8" max wheelsize |
| SHOCK | Rock Shox Deluxe Select+ |
| BRAKES | Shimano M4100 |
| ROTORS | Shimano RT30 / Shimano RTEM300 |
| HEADSET | MERIDA-8152 |
| HANDLEBAR | MERIDA EXPERT eTR, 780mm width, 20mm rise |
| HANDLEBAR STEM | MERIDA EXPERT eTRII, material: aluminium, 35mm diameter, 0° stem angle, GoPro & Supernova mount, 40 mm all sizes |
| GRIP | MERIDA EXPERT EC |
| DERAILLEUR (R) | Shimano Deore RDM5100 11 |
| SHIFTERS | Shimano SL -MT500-IL / Shimano Deore M5100 11 |
| SEAT POST | MERIDA COMP TR, 30.9mm diameter, 0mm setback, XS 100mm travel seatpost - S/M 125mm travel seatpost - L/XL 150mm travel seatpost |
| SEAT CLAMP | MERIDA EXPERT clamp |
| SADDLE | MERIDA COMP CC, V-mount |
| PEDAL | VP VPE-537 |

| | |
|-----------------------|---------------------------------------------------------------------------------------------------------------|
| CHAIN | HG601-11 |
| CHAINWHEEL | Shimano CRE70B, 34 teeth, Shimano FC6M600 |
| FREEWHEEL | Shimano M5100, 11-51 teeth, 11 speed |
| BOTTOM BRACKET | included |
| RIM | MERIDA COMP TR, 29mm inner width, material: aluminium, Tubeless ready (tubeless tape and valves not included) |
| HUBS | Shimano MT400-B |
| AXLES | MERIDA EXPERT TR |
| SPOKES | Black stainless |
| TIRES | Kenda Regolith |
| LIGHTS | LEZYNE E-BIKE POWER STVZO E115, reverse MERIDA Custom Mount / USB REAR Light CG-214RG |
| FENDER | C093-02F + C093-02R |
| DRIVE UNIT | Shimano EP8, 85Nm |
| BATTERY | Shimano E8036 630Wh / E8035 504Wh XS |
| DISPLAY | Shimano SC-E5003 |



eONE-SIXTY 300S

MATT TITAN (BLACK)

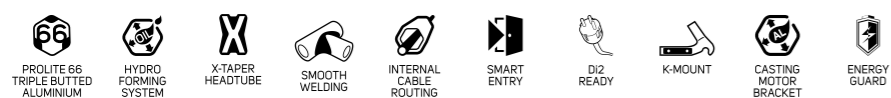
LITE II HFS-hydroformed Racelite 61 double butted aluminium frame featuring internal battery technology and an aggressive enduro geometry with 150 mm rear wheel travel. Shimano STePS EP8 motor allows for short chain stays delivering agility. 'Smart Entry' cable routing for rattle free running. Casting motor bracket creates an integrated appearance of the motor into the frame as well as provides an extremely strong connection between frame and motor.

| XC/MARATHON | TRAIL | ALL MOUNTAIN | ENDURO |



| | |
|-----------------------|-----------------------------------------------------------------------------------------------------------------------------------------|
| FRAME | eONE-SIXTY Lite II, material: aluminium, 150mm suspension travel, 27.5x2.8" max. wheelsize, 148x12mm axle standard, intube, max. 504 Wh |
| FRAME SIZE | XS, S, M, L, XL |
| FORK | Suntour ZERON 35-Boost LOR, Air, 150mm suspension travel, Tapered, 51mm fork offset, 29x2.4" max wheelsize |
| SHOCK | SUNTOUR RS EDGE R |
| BRAKES | Shimano M4100 |
| ROTORS | Shimano RT30 / Shimano RTEM300 |
| HEADSET | MERIDA-8152 |
| HANDLEBAR | MERIDA EXPERT eTR, 780mm width, 20mm rise |
| HANDLEBAR STEM | MERIDA EXPERT eTRII, material: aluminium, 35mm diameter, 0° stem angle, GoPro & Supernova mount, 40 mm all sizes |
| GRIP | MERIDA EXPERT EC |
| DERAILLEUR (R) | Shimano Deore RDMS120 10 |
| SHIFTERS | Shimano SL -MT500-IL / Shimano Deore M4100-RC1 clamp band 10 |
| SEAT POST | MERIDA COMP TR, 30.9mm diameter, 0mm setback, XS 100mm travel seatpost - S/M 125mm travel seatpost - L/XL 150mm travel seatpost |
| SEAT CLAMP | MERIDA EXPERT clamp |
| SADDLE | MERIDA COMP CC, V-mount |
| PEDAL | VP VPE-537 |

| | |
|-----------------------|---------------------------------------------------------------------------------------------------------------|
| CHAIN | CNHG54 |
| CHAINWHEEL | Shimano CRE70-B, 34 teeth, Shimano FC-E8000 |
| FREEWHEEL | Shimano M4100, 11-46 teeth, 10 speed |
| BOTTOM BRACKET | included |
| RIM | MERIDA COMP TR, 29mm inner width, material: aluminium, Tubeless ready (tubeless tape and valves not included) |
| HUBS | Shimano MT400-B |
| AXLES | MERIDA COMP TR |
| SPOKES | Black stainless |
| TIRES | Kenda Regolith |
| LIGHTS | CG-119PG-BLACK(1) / CG-404RG-BLK |
| FENDER | C093-02F + C093-02R |
| DRIVE UNIT | Shimano E7000, 60Nm |
| BATTERY | Shimano E8035 504Wh |
| DISPLAY | Shimano SC-E5000 |



eONE-SIXTY 300S

LIGHT SAND (BLUE)

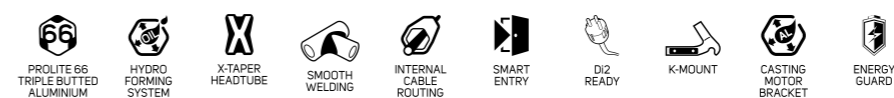
LITE II HFS-hydroformed Racelite 61 double butted aluminium frame featuring internal battery technology and an aggressive enduro geometry with 150 mm rear wheel travel. Shimano STePS EP8 motor allows for short chain stays delivering agility. 'Smart Entry' cable routing for rattle free running. Casting motor bracket creates an integrated appearance of the motor into the frame as well as provides an extremely strong connection between frame and motor.

| XC/MARATHON | TRAIL | ALL MOUNTAIN | ENDURO |



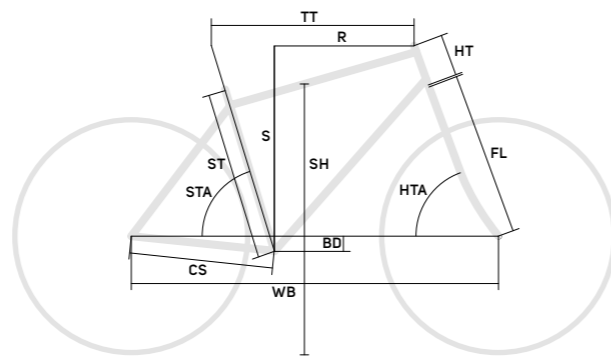
| | |
|-----------------------|-----------------------------------------------------------------------------------------------------------------------------------------|
| FRAME | eONE-SIXTY Lite II, material: aluminium, 150mm suspension travel, 27.5x2.8" max. wheelsize, 148x12mm axle standard, intube, max. 504 Wh |
| FRAME SIZE | XS, S, M, L, XL |
| FORK | Suntour ZERON 35-Boost LOR, Air, 150mm suspension travel, Tapered, 51mm fork offset, 29x2.4" max wheelsize |
| SHOCK | SUNTOUR RS EDGE R |
| BRAKES | Shimano M4100 |
| ROTORS | Shimano RT30 / Shimano RTEM300 |
| HEADSET | MERIDA-8152 |
| HANDLEBAR | MERIDA EXPERT eTR, 780mm width, 20mm rise |
| HANDLEBAR STEM | MERIDA EXPERT eTRII, material: aluminium, 35mm diameter, 0° stem angle, GoPro & Supernova mount, 40 mm all sizes |
| GRIP | MERIDA EXPERT EC |
| DERAILLEUR (R) | Shimano Deore RDMS120 10 |
| SHIFTERS | Shimano SL -MT500-IL / Shimano Deore M4100-RC1 clamp band 10 |
| SEAT POST | MERIDA COMP TR, 30.9mm diameter, 0mm setback, XS 100mm travel seatpost - S/M 125mm travel seatpost - L/XL 150mm travel seatpost |
| SEAT CLAMP | MERIDA EXPERT clamp |
| SADDLE | MERIDA COMP CC, V-mount |
| PEDAL | VP VPE-537 |

| | |
|-----------------------|---------------------------------------------------------------------------------------------------------------|
| CHAIN | CNHG54 |
| CHAINWHEEL | Shimano CRE70-B, 34 teeth, Shimano FC-E8000 |
| FREEWHEEL | Shimano M4100, 11-46 teeth, 10 speed |
| BOTTOM BRACKET | included |
| RIM | MERIDA COMP TR, 29mm inner width, material: aluminium, Tubeless ready (tubeless tape and valves not included) |
| HUBS | Shimano MT400-B |
| AXLES | MERIDA COMP TR |
| SPOKES | Black stainless |
| TIRES | Kenda Regolith |
| LIGHTS | CG-119PG-BLACK(1) / CG-404RG-BLK |
| FENDER | C093-02F + C093-02R |
| DRIVE UNIT | Shimano E7000, 60Nm |
| BATTERY | Shimano E8035 504Wh |
| DISPLAY | Shimano SC-E5000 |



eONE-SIXTY

GEOMETRIES



eONE-SIXTY CFA II

| FS Frame Size | XS | S | M | L | XL |
|-----------------------------|----------|----------|----------|----------|----------|
| TS Tire Size | 29/27.5" | 29/27.5" | 29/27.5" | 29/27.5" | 29/27.5" |
| ST seat tube [mm] | 405 | 420 | 440 | 470 | 500 |
| TT top tube [mm] | 563 | 584 | 605 | 629 | 652 |
| CS chain stay length [mm] | 439.5 | 439.5 | 439.5 | 439.5 | 439.5 |
| HTA head tube angle [°] | 65.5 | 65.5 | 65.5 | 65.5 | 65.5 |
| STA seat tube angle [°] | 75.5 | 75.5 | 75.5 | 75.5 | 75.5 |
| BD bottom bracket drop [mm] | 17.5 | 17.5 | 17.5 | 17.5 | 17.5 |
| HT head tube [mm] | 110 | 115 | 120 | 135 | 150 |
| FL fork length [mm] | 571 | 571 | 571 | 571 | 571 |
| R reach [mm] | 400 | 420 | 440 | 460 | 480 |
| S stack [mm] | 628.5 | 633 | 637.5 | 651.5 | 665 |
| WB wheel base [mm] | 1168 | 1190 | 1212 | 1238.5 | 1265 |
| SH stand over height [mm] | 742 | 737 | 733 | 740 | 754 |

eONE-SIXTY LITE III

| FS Frame Size | XS | S | M | L | XL |
|-----------------------------|----------|----------|----------|----------|----------|
| TS Tire Size | 29/27.5" | 29/27.5" | 29/27.5" | 29/27.5" | 29/27.5" |
| ST seat tube [mm] | 405 | 415 | 430 | 450 | 470 |
| TT top tube [mm] | 563 | 584 | 605 | 626 | 647 |
| CS chain stay length [mm] | 439.5 | 439.5 | 439.5 | 439.5 | 439.5 |
| HTA head tube angle [°] | 65.5 | 65.5 | 65.5 | 65.5 | 65.5 |
| STA seat tube angle [°] | 75.5 | 75.5 | 75.5 | 75.5 | 75.5 |
| BD bottom bracket drop [mm] | 17.5 | 17.5 | 17.5 | 17.5 | 17.5 |
| HT head tube [mm] | 110 | 115 | 120 | 125 | 130 |
| FL fork length [mm] | 571 | 571 | 571 | 571 | 571 |
| R reach [mm] | 400 | 420 | 440 | 460 | 480 |
| S stack [mm] | 633 | 633 | 638 | 642 | 647 |
| WB wheel base [mm] | 1170 | 1190 | 1212 | 1234 | 1256 |
| SH stand over height [mm] | 737 | 736 | 733 | 739 | 753 |

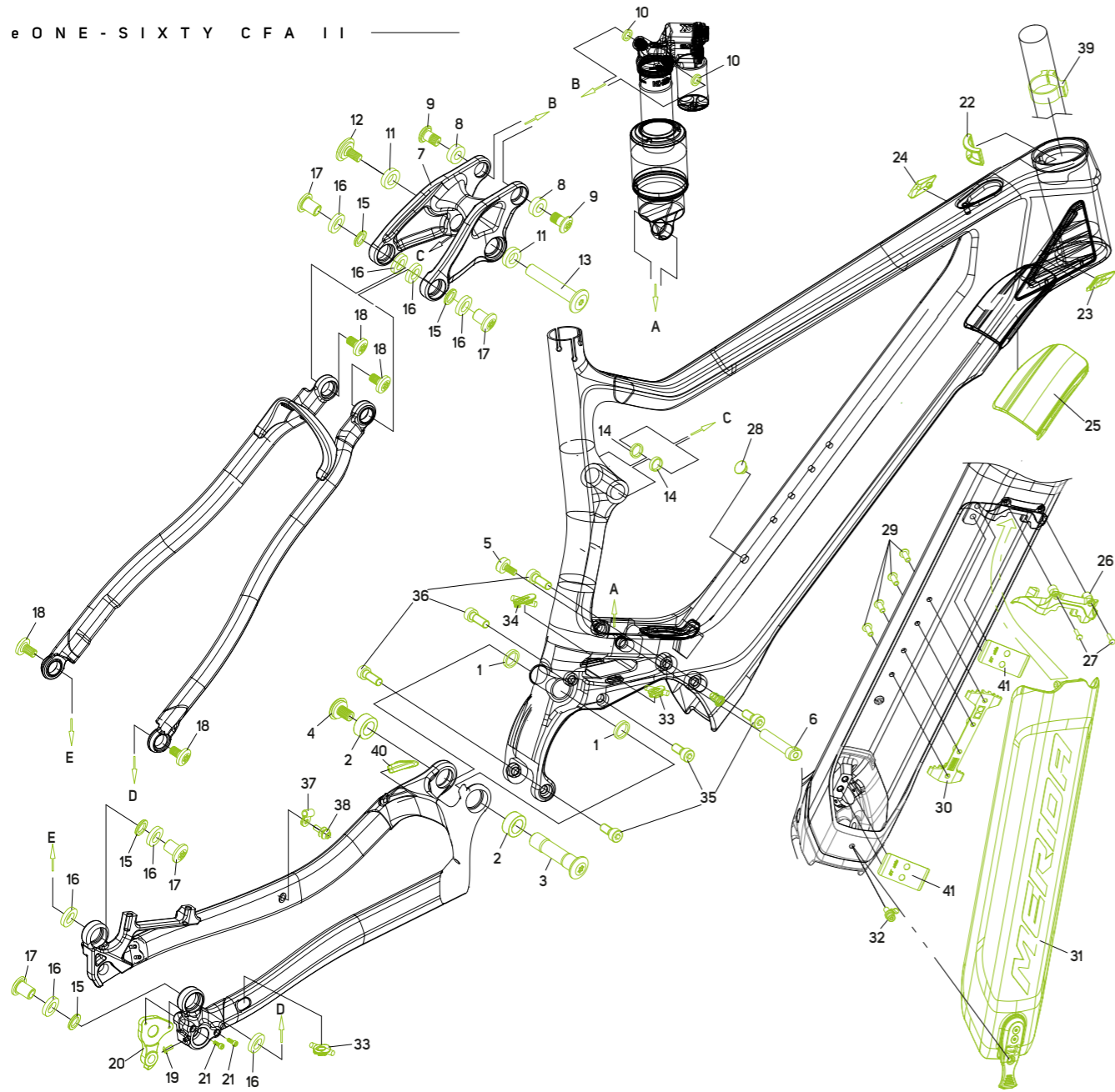
eONE-SIXTY LITE II

| FS Frame Size | XS | S | M | L | XL |
|-----------------------------|----------|----------|----------|----------|----------|
| TS Tire Size | 29/27.5" | 29/27.5" | 29/27.5" | 29/27.5" | 29/27.5" |
| ST seat tube [mm] | 405 | 420 | 440 | 470 | 500 |
| TT top tube [mm] | 563 | 584 | 605 | 629 | 652 |
| CS chain stay length [mm] | 439.5 | 439.5 | 439.5 | 439.5 | 439.5 |
| HTA head tube angle [°] | 65.5 | 65.5 | 65.5 | 65.5 | 65.5 |
| STA seat tube angle [°] | 75.5 | 75.5 | 75.5 | 75.5 | 75.5 |
| BD bottom bracket drop [mm] | 17.5 | 17.5 | 17.5 | 17.5 | 17.5 |
| HT head tube [mm] | 110 | 115 | 120 | 135 | 150 |
| FL fork length [mm] | 571 | 571 | 571 | 571 | 571 |
| R reach [mm] | 400 | 420 | 440 | 460 | 480 |
| S stack [mm] | 629 | 633 | 638 | 652 | 665 |
| WB wheel base [mm] | 1168 | 1190 | 1212 | 1238.5 | 1264.5 |
| SH stand over height [mm] | 737 | 736 | 734 | 755 | 777 |

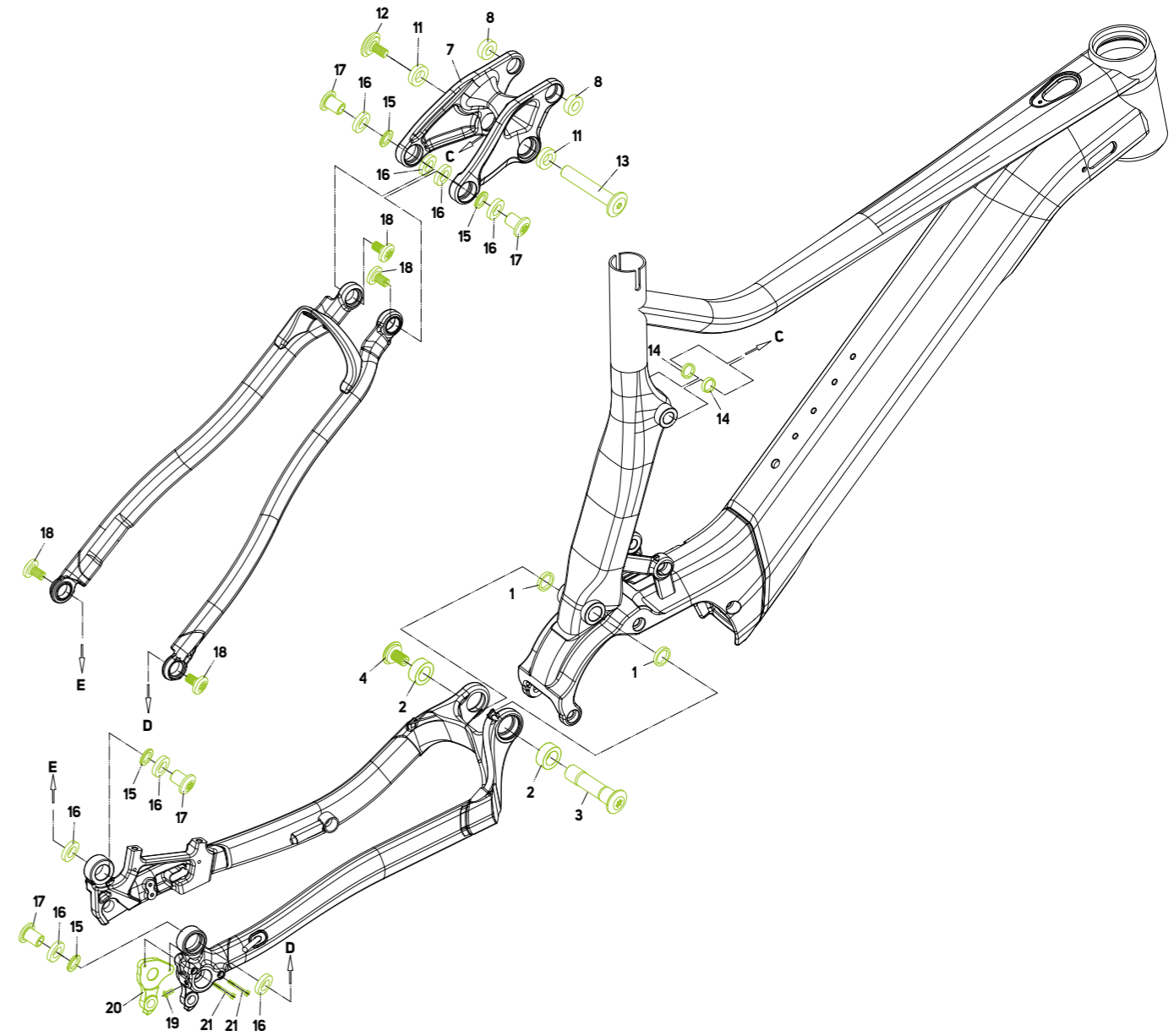
FRAME INTERFACES

| | CFA II | LITE III | LITE II |
|------------------------------|----------------------------------------------------------------|-------------------------------------------------------------------------------------------------------|------------------|
| MAX. WHEELSIZE | 27.5x2.8" | 27.5x2.8" | 27.5x2.8" |
| HEAD TUBE | | | |
| 11/2" & 1 1/2" | • | • | • |
| HEADSET | | | |
| INTEGRATED | • | • | • |
| BRAKE STANDARD | | | |
| DISC BRAKE ON CHAIN STAY | • | • | • |
| POST MOUNT 180 mm REAR BRAKE | • | • | • |
| SEATPOST DIAMETER | | | |
| 30.9 mm | • | • | • |
| REAR DROPOUT-STANDARD | | | |
| THRU AXLE 12x148 mm | • | • | • |
| CABLE ROUTING | | | |
| INTERNAL SHIFTING CABLES | • | • | • |
| INTERNAL BRAKE CABLE | • | • | • |
| INTERNAL SEAT POST CABLE | • | • | • |
| DI2-READY | • | • | • |
| EQUIPMENT OPTIONS | | | |
| ATRAN VELO 17 mm | • | • | • |
| MOTOR INTERFACE | Shimano Type 2 | Shimano Type 2 | Shimano Type 2 |
| BATTERY | Shimano BT-E8036/8035-L except size XS for BT-E8035 only | Shimano BT-E8036/8035-L or Simple TPS-004-35PA/TPP-001-35PA except size XS for BT-E8035 only | Shimano BT-E8035 |
| SPEEDSENSOR MOUNT | SM-DUE11 | SM-DUE11 | SM-DUE11 |
| RD HANGER | DH-057 | DH-057 | DH-057 |

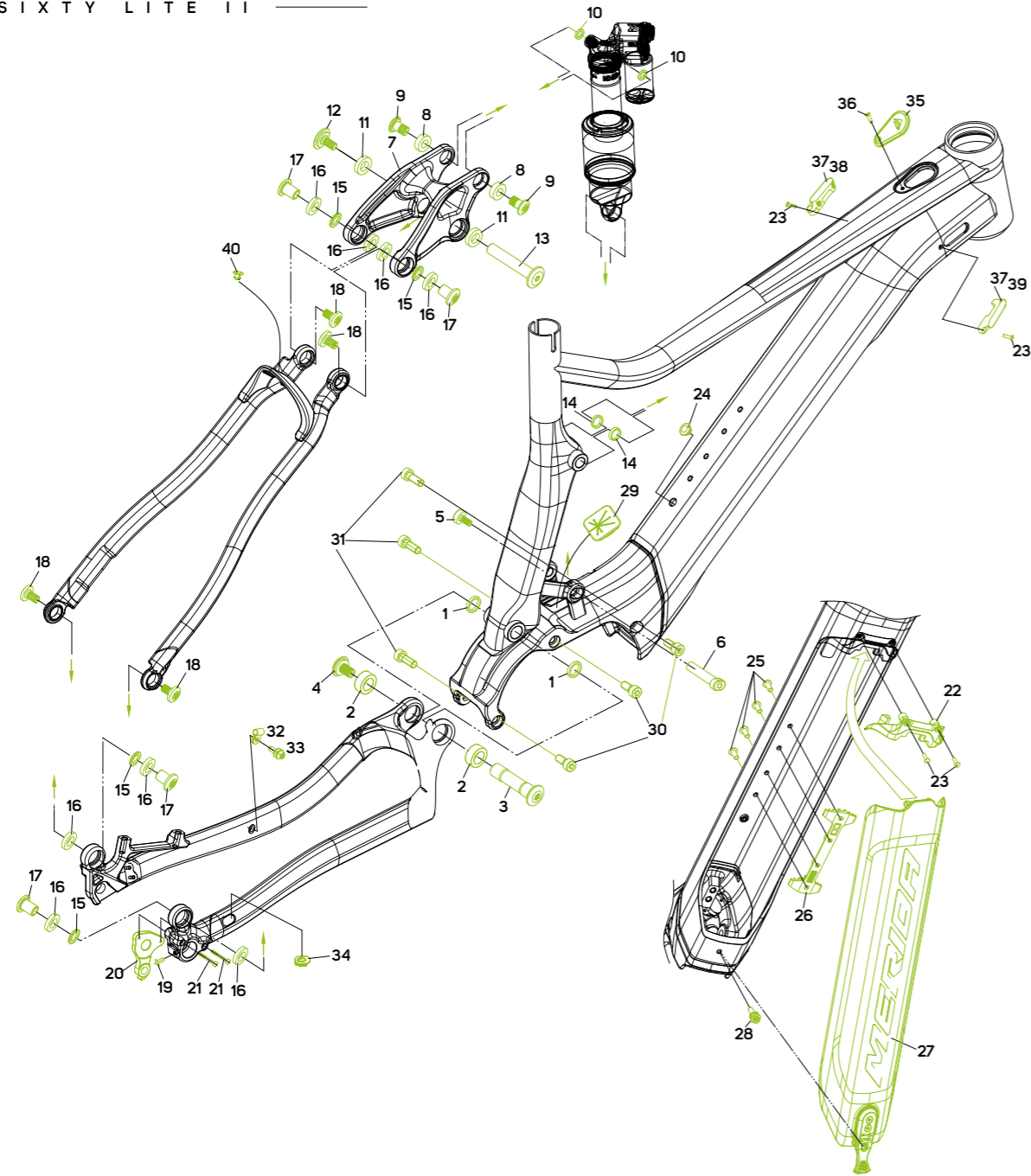




| No. | Item No. | Item | Detail information | Pieces | Torque Nm | No. | Item No. | Item | Detail information | Pieces | Torque Nm |
|-----|------------|---------|-----------------------|--------|-----------|-----|-------------|----------------------|-----------------------|--------|-----------|
| 1 | 2294001180 | WASHER | | 2 | | 23 | 2258005535 | CABLE GUIDE | | 1 | |
| 2 | 2221002395 | BEARING | 3802V-2RS 24D*15D*7W | 2 | | 24 | 2258005546 | CABLE GUIDE | | 1 | |
| 3 | 2300012662 | BOLT | | 1 | | 25 | 2029000845 | BUMPER | only ST 405mm | 1 | |
| 4 | 2300012673 | SCREW | | 1 | 18 | 25 | 20290001181 | BUMPER | only ST 440/470/500mm | 1 | |
| 5 | 2300014426 | SCREW | | 1 | 12 | 26 | 2161001314 | COVER MOUNT | | 1 | |
| 6 | 2300014103 | BOLT | | 1 | | 27 | 2300011412 | SCREW | | 2 | 4 |
| 7 | 2035001617 | S-LINK | | 1 | | 28 | 2143003718 | PLUG | | 1 | |
| 8 | 2221002254 | BEARING | 6800V-2RS 19D*10D*5W | 2 | | 29 | 2298011283 | SCREW | | 4 | 5 |
| 9 | 2300011865 | SCREW | | 2 | 16 | 30 | 2161001303 | CABLE GUIDE | | 1 | |
| 10 | 2294004633 | WASHER | | 2 | | 31 | 2161002100 | ENERGY GUARD | only 504WH | 1 | |
| 11 | 2221002265 | BEARING | 6801V-2RS 21D*12D*5W | 2 | | 31 | 2161002111 | ENERGY GUARD | only 630WH | 1 | |
| 12 | 2300012695 | SCREW | | 1 | 14 | 32 | 2300016075 | SCREW | | 1 | 5 |
| 13 | 2300012684 | BOLT | | 1 | | 33 | 2258003801 | CABLE GUIDE | | 2 | |
| 14 | 2294002255 | WASHER | | 2 | | 34 | 2258004943 | CABLE GUIDE | | 1 | |
| 15 | 2294004826 | WASHER | | 4 | | 35 | 2300015751 | SCREW | | 3 | 12 |
| 16 | 2221002328 | BEARING | 12214V-2RS 21D*12D*4W | 8 | | 36 | 2300015762 | SCREW | | 3 | 12 |
| 17 | 2300012703 | BOLT | | 4 | | 37 | 2258001133 | CABLE GUIDE | | 1 | |
| 18 | 2300012714 | SCREW | | 4 | 14 | 38 | 2298002501 | SCREW | | 1 | 5 |
| 19 | 2300005272 | SCREW | | 1 | 5 | 39 | 2248001919 | INTERNAL BLOCK CLAMP | | 1 | |
| 20 | 2311005101 | DROPOUT | DH-057 (see page 610) | 1 | | 40 | 2258005814 | CABLE GUIDE | | 1 | |
| 21 | 2300010950 | SCREW | | 2 | 4 | 41 | 2111001046 | CABLE HOLDER | | 2 | |
| 22 | 2029000856 | BUMPER | | 1 | | | | | | | |



| No. | Item No. | Item | Detail information | Pieces | Torque Nm | No. | Item No. | Item | Detail information | Pieces | Torque Nm |
|-----|------------|-------------|-------------------------|--------|-----------|-----|------------|--------------------|--------------------|--------|-----------|
| 1 | 2294001180 | WASHER | | 2 | | 27 | 2161002133 | ENERGY GUARD TWIST | | 1 | |
| 2 | 2221002395 | BEARING | 3802V-2RS 24D*15D*7W | 2 | | 28 | 2161002229 | CABLE GUIDE | | 1 | |
| 3 | 2300012662 | BOLT | | 1 | | 29 | 2298011283 | SCREW | | 4 | 5 |
| 4 | 2300012673 | SCREW | | 1 | 18 | 30 | 2300015751 | SCREW | | 3 | 12 |
| 7 | 2035001617 | S-LINK | | 1 | | 31 | 2300015762 | SCREW | | 3 | 12 |
| 8 | 2221002254 | BEARING | 6800V-2RS 19D*10D*5W | 2 | | 32 | 2258001133 | CABLE GUIDE | | 1 | |
| 11 | 2221002265 | BEARING | 6801-2RS 21D*12D*5W | 2 | | 33 | 2298002501 | SCREW | | 1 | 5 |
| 12 | 2300012695 | SCREW | | 1 | 14 | 34 | 2258003801 | CABLE GUIDE | | 1 | |
| 13 | 2300012684 | BOLT | | 1 | | 35 | 2258005814 | CABLE GUIDE | | 1 | |
| 14 | 2294002255 | WASHER | | 2 | | 36 | 2143002869 | PLUG | | 1 | |
| 15 | 2294004826 | WASHER | | 4 | | 37 | 2143003600 | PLUG | | 1 | |
| 16 | 2221002328 | BEARING | 12214V-2RS 21D*12D*4W | 8 | | 38 | 2143003804 | PLUG | | 1 | |
| 17 | 2300015375 | BOLT | | 4 | | 39 | 2111001046 | CABLE HOLDER | | 2 | |
| 18 | 2300015386 | SCREW | | 4 | 14 | 40 | 2143003923 | ON / OFF BUTTON | | 1 | |
| 19 | 2300005272 | SCREW | | 1 | 5 | | | | | | |
| 20 | 2311005101 | DROPOUT | DH - 057 (see page 610) | 1 | | | | | | | |
| 21 | 2300010950 | SCREW | | 2 | 4 | | | | | | |
| 22 | 2300011412 | SCREW | | 2 | 4 | | | | | | |
| 23 | | SMART ENTRY | (see page 606) | 1 | | | | | | | |
| 24 | 2300011810 | SCREW | | 1 | 4 | | | | | | |
| 25 | 2161001671 | COVER | | 1 | | | | | | | |
| 26 | 2029000856 | BUMPER | | 1 | | | | | | | |



| No. | Item No. | Item | Detail information | Pieces | Torque Nm | No. | Item No. | Item | Detail information | Pieces | Torque Nm |
|-----|------------|---------|-----------------------|--------|-----------|-----|------------|--------------|--------------------|--------|-----------|
| 1 | 2294001180 | WASHER | | 2 | | 21 | 2300010950 | SCREW | | 2 | 4 |
| 2 | 2221002395 | BEARING | 3802V-2RS 24D*15D*7W | 2 | | 22 | 2161001314 | COVER MOUNT | | 1 | |
| 3 | 2300012662 | BOLT | | 1 | | 23 | 2300011412 | SCREW | | 4 | 4 |
| 4 | 2300012673 | SCREW | | 1 | 18 | 24 | 2143003600 | PLUG | | 1 | |
| 5 | 2300014426 | SCREW | | 1 | 12 | 25 | 2298011283 | SCREW | | 4 | 5 |
| 6 | 2300014103 | BOLT | | 1 | | 26 | 2161001303 | CABLE GUIDE | | 1 | |
| 7 | 2035001617 | S-LINK | | 1 | | 27 | 2161001660 | ENERGY GUARD | | 1 | |
| 8 | 2221002254 | BEARING | 6800V2RS 19D*10D*5W | 2 | | 28 | 2300014857 | SCREW | | 1 | 5 |
| 9 | 2300011865 | SCREW | | 2 | 16 | 29 | 2143002869 | PLUG | | 1 | |
| 10 | 2294004633 | WASHER | | 2 | | 30 | 2300012101 | SCREW | | 3 | 12 |
| 11 | 2221002265 | BEARING | 6801V-2RS 21D*12D*5W | 2 | | 31 | 2300012112 | SCREW | | 3 | 12 |
| 12 | 2300012695 | SCREW | | 1 | 14 | 32 | 2258001133 | CABLE GUIDE | | 1 | |
| 13 | 2300012684 | BOLT | | 1 | | 33 | 2298002501 | SCREW | | 1 | 5 |
| 14 | 2294002255 | WASHER | | 2 | | 34 | 2258003801 | CABLE GUIDE | | 1 | |
| 15 | 2294004826 | WASHER | | 4 | | 35 | 2161001671 | CAP | | 1 | |
| 16 | 2221002328 | BEARING | 12214V-2RS 21D*12D*4W | 8 | | 36 | 2300011810 | SCREW | | 1 | 4 |
| 17 | 2300012703 | BOLT | | 4 | | 37 | 2258004084 | SMART ENTRY | (see page 606) | 1 | |
| 18 | 2300012714 | SCREW | | 4 | 14 | 38 | 2258004341 | SMART ENTRY | (see page 606) | 1 | |
| 19 | 2300005272 | SCREW | | 1 | 5 | 39 | 2258004716 | SMART ENTRY | (see page 606) | 1 | |
| 20 | 2311005101 | DROPOUT | DH-057 (see page 610) | 1 | | 40 | 2143003804 | PLUG | | 1 | |



eONE-FORTY

ONLY DOWNHILL-FUN IS SO YESTERDAY

If you are looking for top descending performance that doesn't sacrifice the 'all day' riding abilities, then our Shimano STePS EP8 powered eONE-FORTY with integrated battery technology is the perfect e-full suspension bike for you. A modern mountain bike geometry, which is inspired by its bigger brother, the eONE-SIXTY, but with an even lower stand over height, steeper seat angle and slightly steeper head angle, combined with a balanced reach and a low bottom bracket, gives the bike maximum agility and fantastic climbing characteristics. Exactly what you are looking for in an all-day full suspension e-MTB.



1

THERMO GATE

Specifically located openings near the head tube of our eONE-FORTY carbon frames work like a chimney and allow the warm air to dissipate to guarantee the optimum operating temperature of the internal battery. The 'Thermo Gate' enables the battery to perform at its best, in any condition.

2

INTERNAL BLOCK

First introduced in our 2015 NINETY-SIX, the e-bike version of the 'Internal Block' is incorporated directly into the frame and prevents the fork crown from hitting the carbon frame in case of a crash or an extreme steering angle. As an extra protection, there are additional rubber bumpers on the frame to avoid any frame damage from the fork crown.

3

CLEVER WHEELS

To give the eONE-FORTY precise steering, fantastic 'rolling over obstacles' behaviour yet maximum traction, we have combined a 29er front wheel with a 2.5" tyre and a 650B rear wheel, equipped with a slightly wider 2.6" tyre. The perfect combination of precision, playfulness and traction.

4

EP8

SHIMANO'S EP8

Our eONE-FORTY comes equipped with the new EP8 motor from Shimano STePS. It offers an increased performance of 85 Nm, less weight, a further reduction in size and less friction. On top of that, the new 630 Wh internal battery offers an extended range and super-fast charging capabilities.

5

WATER CARRIER

Due to the integrated battery, we were able to offer water bottle cage fixing points, allowing bottles of up to 0.7 l to be fitted into the main frame triangle. Great if you want to keep your back free of hydration packs and backpacks.



CARBON OR ALUMINIUM

Our eONE-FORTY is available in two different frame options. A carbon front end combined with a 6061 aluminium rear end, or a more budget-friendly all-aluminium chassis. The geometry of the two options is identical.

eONE-FORTY 9000

SILVER/BLACK

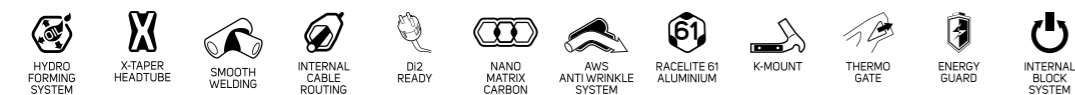
CFA II Carbon front triangle with integrated battery technology, paired with a 6061 rear end featuring an aggressive enduro/trail geometry and 133 mm rear wheel travel – Shimano STePS EP8 motors allow for short chain stays delivering agility. Internal cable guides for rattle free running. Full carbon motor bracket creates an integrated appearance of the motor into the frame as well as provides an extremely strong connection between frame and motor.

| XC/MARATHON | TRAIL | ALL MOUNTAIN | ENDURO |



| | |
|-----------------------|-------------------------------------------------------------------------------------------------------------------------------------|
| FRAME | eONE-FORTY CFA II, material: carbon, 133mm suspension travel, 27.5x2.8" max. wheelsize, 148x12mm axle standard, intube, max. 630 Wh |
| FRAME SIZE | S, M, L, XL, XXL |
| FORK | FOX 36 Elite eMTB+, Air, 140mm suspension travel, Tapered, 51mm fork offset, 29x2.6" max wheelsize |
| SHOCK | FOX Float DPS Elite, lockout |
| BRAKES | Shimano XT |
| ROTORS | Shimano RT-MT800 / Shimano RT-EM810 |
| HEADSET | MERIDA-8152 |
| HANDLEBAR | MERIDA EXPERT eTR, 780mm width, 20mm rise |
| HANDLEBAR STEM | MERIDA EXPERT eTRII, material: aluminium, 35mm diameter, 0° stem angle, GoPro & Supernova mount, 50 mm all sizes |
| GRIP | MERIDA EXPERT EC |
| DERAILLEUR (R) | Shimano XT RDM8100 Shadow+ 12 |
| SHIFTERS | Shimano SL -MT800-IL / Shimano XT M8100 12 |
| SEAT POST | MERIDA EXPERT TR, 30.9mm diameter, 0mm setback, S 125mm travel seatpost - M/L 150mm travel seatpost - XL/XXL 170mm travel seatpost |
| SEAT CLAMP | MERIDA EXPERT clamp |
| SADDLE | MERIDA EXPERT CC, V-mount |
| PEDAL | VP VPE-527 |

| | |
|-----------------------|-----------------------------------------------------------------------------------------------------------------------------------------------------------------------------------------------------------|
| CHAIN | CNM8100 |
| CHAINWHEEL | Shimano CRE80-12-B, 34 teeth, Shimano FCEM900 |
| FREEWHEEL | Shimano M8100, 10-51 teeth, 12 speed |
| BOTTOM BRACKET | included |
| WHEELSET | DT Swiss Spline HX1501 ONE 30 boost, 110x15mm width front hub, 148x12mm width rear hub, 30mm inner width, Centerlock, microspine, material: aluminium, Tubeless ready (tubeless tape and valves included) |
| AXLES | MERIDA EXPERT TR |
| TIRES | Trail King / Trail King B+ |
| LIGHTS | LEZYNE E-BIKE POWER STVZO E115, reverse MERIDA Custom Mount / LEZYNE LED FEMTO USB REAR STVZO |
| FENDER | C093-02F + C093-02R |
| DRIVE UNIT | Shimano EP8, 85Nm |
| BATTERY | Shimano E8036 630Wh / E8035 504Wh S |
| DISPLAY | Shimano SC-EM800 |



eONE-FORTY 9000

CANDY GREEN/BLACK

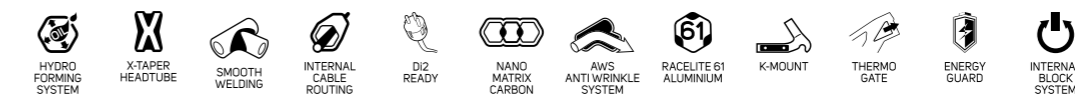
CFA II Carbon front triangle with integrated battery technology, paired with a 6061 rear end featuring an aggressive enduro/trail geometry and 133 mm rear wheel travel – Shimano STePS EP8 motors allow for short chain stays delivering agility. Internal cable guides for rattle free running. Full carbon motor bracket creates an integrated appearance of the motor into the frame as well as provides an extremely strong connection between frame and motor.

| XC/MARATHON | TRAIL | ALL MOUNTAIN | ENDURO |



| | |
|-----------------------|-------------------------------------------------------------------------------------------------------------------------------------|
| FRAME | eONE-FORTY CFA II, material: carbon, 133mm suspension travel, 27.5x2.8" max. wheelsize, 148x12mm axle standard, intube, max. 630 Wh |
| FRAME SIZE | S, M, L, XL, XXL |
| FORK | FOX 36 Elite eMTB+, Air, 140mm suspension travel, Tapered, 51mm fork offset, 29x2.6" max wheelsize |
| SHOCK | FOX Float DPS Elite, lockout |
| BRAKES | Shimano XT |
| ROTORS | Shimano RT-MT800 / Shimano RT-EM810 |
| HEADSET | MERIDA-8152 |
| HANDLEBAR | MERIDA EXPERT eTR, 780mm width, 20mm rise |
| HANDLEBAR STEM | MERIDA EXPERT eTRII, material: aluminium, 35mm diameter, 0° stem angle, GoPro & Supernova mount, 50 mm all sizes |
| GRIP | MERIDA EXPERT EC |
| DERAILLEUR (R) | Shimano XT RDM8100 Shadow+ 12 |
| SHIFTERS | Shimano SL -MT800-IL / Shimano XT M8100 12 |
| SEAT POST | MERIDA EXPERT TR, 30.9mm diameter, 0mm setback, S 125mm travel seatpost - M/L 150mm travel seatpost - XL/XXL 170mm travel seatpost |
| SEAT CLAMP | MERIDA EXPERT clamp |
| SADDLE | MERIDA EXPERT CC, V-mount |
| PEDAL | VP VPE-527 |

| | |
|-----------------------|-----------------------------------------------------------------------------------------------------------------------------------------------------------------------------------------------------------|
| CHAIN | CNM8100 |
| CHAINWHEEL | Shimano CRE80-12-B, 34 teeth, Shimano FCEM900 |
| FREEWHEEL | Shimano M8100, 10-51 teeth, 12 speed |
| BOTTOM BRACKET | included |
| WHEELSET | DT Swiss Spline HX1501 ONE 30 boost, 110x15mm width front hub, 148x12mm width rear hub, 30mm inner width, Centerlock, microspine, material: aluminium, Tubeless ready (tubeless tape and valves included) |
| AXLES | MERIDA EXPERT TR |
| TIRES | Trail King / Trail King B+ |
| LIGHTS | LEZYNE E-BIKE POWER STVZO E115, reverse MERIDA Custom Mount / LEZYNE LED FEMTO USB REAR STVZO |
| FENDER | C093-02F + C093-02R |
| DRIVE UNIT | Shimano EP8, 85Nm |
| BATTERY | Shimano E8036 630Wh / E8035 504Wh S |
| DISPLAY | Shimano SC-EM800 |



eONE-FORTY 8000

SILVER/BLACK

CFA II Carbon front triangle with integrated battery technology, paired with a 6061 rear end featuring an aggressive enduro/trail geometry and 133 mm rear wheel travel – Shimano STePS EP8 motors allow for short chain stays delivering agility. Internal cable guides for rattle free running. Full carbon motor bracket creates an integrated appearance of the motor into the frame as well as provides an extremely strong connection between frame and motor.

| XC/MARATHON | TRAIL | ALL MOUNTAIN | ENDURO |



| | |
|-----------------------|-------------------------------------------------------------------------------------------------------------------------------------|
| FRAME | eONE-FORTY CFA II, material: carbon, 133mm suspension travel, 27.5x2.8" max. wheelsize, 148x12mm axle standard, intube, max. 630 Wh |
| FRAME SIZE | S, M, L, XL, XXL |
| FORK | FOX Rhythm 34 Float eMTB+, Air, 140mm suspension travel, Tapered, 51mm fork offset, 29x2.5" max wheelsize |
| SHOCK | Fox Performance Float DPS, lockout |
| BRAKES | Shimano SLX |
| ROTORS | Shimano RT64 / Shimano RTEM600 |
| HEADSET | MERIDA-8152 |
| HANDLEBAR | MERIDA EXPERT eTR, 780mm width, 20mm rise |
| HANDLEBAR STEM | MERIDA EXPERT eTRII, material: aluminium, 35mm diameter, 0° stem angle, GoPro & Supernova mount, 50 mm all sizes |
| GRIP | MERIDA EXPERT EC |
| DERAILLEUR (R) | Shimano XT RDM8100 Shadow+ 12 |
| SHIFTERS | Shimano SL -MT500-IL / Shimano XT M8100 12 |
| SEAT POST | MERIDA EXPERT TR, 30.9mm diameter, 0mm setback, S: 125mm travel seatpost - M/L 150mm travel seatpost - XL/XXL 170mm travel seatpost |
| SEAT CLAMP | MERIDA EXPERT clamp |
| SADDLE | MERIDA EXPERT CC, V-mount |
| PEDAL | VP VPE-527 |

| | |
|-----------------------|-----------------------------------------------------------------------------------------------------------------|
| CHAIN | CN-M6100 |
| CHAINWHEEL | Shimano CRE80-12-B, 34 teeth, Shimano FCEM600 |
| FREEWHEEL | Shimano M7100, 10-51 teeth, 12 speed |
| BOTTOM BRACKET | included |
| RIM | MERIDA EXPERT TR, 29mm inner width, material: aluminium, Tubeless ready (tubeless tape and valves not included) |
| HUBS | Shimano SLX |
| AXLES | MERIDA EXPERT TR |
| SPOKES | Black stainless |
| TIRES | Trail King / Trail King B+ |
| LIGHTS | LEZYNE E-BIKE POWER STVZO E115, reverse MERIDA Custom Mount / USB REAR Light CG-214RG |
| FENDER | C093-02F + C093-02R |
| DRIVE UNIT | Shimano EP8, 85Nm |
| BATTERY | Shimano E8036 630Wh / E8035 504Wh S |
| DISPLAY | Shimano SC-E7000 |



eONE-FORTY 8000

SILK PURPLE/BLUE

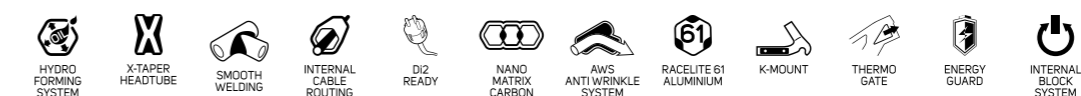
CFA II Carbon front triangle with integrated battery technology, paired with a 6061 rear end featuring an aggressive enduro/trail geometry and 133 mm rear wheel travel – Shimano STePS EP8 motors allow for short chain stays delivering agility. Internal cable guides for rattle free running. Full carbon motor bracket creates an integrated appearance of the motor into the frame as well as provides an extremely strong connection between frame and motor.

| XC/MARATHON | TRAIL | ALL MOUNTAIN | ENDURO |



| | |
|-----------------------|-------------------------------------------------------------------------------------------------------------------------------------|
| FRAME | eONE-FORTY CFA II, material: carbon, 133mm suspension travel, 27.5x2.8" max. wheelsize, 148x12mm axle standard, intube, max. 630 Wh |
| FRAME SIZE | S, M, L, XL, XXL |
| FORK | FOX Rhythm 34 Float eMTB+, Air, 140mm suspension travel, Tapered, 51mm fork offset, 29x2.5" max wheelsize |
| SHOCK | Fox Performance Float DPS, lockout |
| BRAKES | Shimano SLX |
| ROTORS | Shimano RT64 / Shimano RTEM600 |
| HEADSET | MERIDA-8152 |
| HANDLEBAR | MERIDA EXPERT eTR, 780mm width, 20mm rise |
| HANDLEBAR STEM | MERIDA EXPERT eTRII, material: aluminium, 35mm diameter, 0° stem angle, GoPro & Supernova mount, 50 mm all sizes |
| GRIP | MERIDA EXPERT EC |
| DERAILLEUR (R) | Shimano XT RDM8100 Shadow+ 12 |
| SHIFTERS | Shimano SL -MT500-IL / Shimano XT M8100 12 |
| SEAT POST | MERIDA EXPERT TR, 30.9mm diameter, 0mm setback, S: 125mm travel seatpost - M/L 150mm travel seatpost - XL/XXL 170mm travel seatpost |
| SEAT CLAMP | MERIDA EXPERT clamp |
| SADDLE | MERIDA EXPERT CC, V-mount |
| PEDAL | VP VPE-527 |

| | |
|-----------------------|-----------------------------------------------------------------------------------------------------------------|
| CHAIN | CN-M6100 |
| CHAINWHEEL | Shimano CRE80-12-B, 34 teeth, Shimano FCEM600 |
| FREEWHEEL | Shimano M7100, 10-51 teeth, 12 speed |
| BOTTOM BRACKET | included |
| RIM | MERIDA EXPERT TR, 29mm inner width, material: aluminium, Tubeless ready (tubeless tape and valves not included) |
| HUBS | Shimano SLX |
| AXLES | MERIDA EXPERT TR |
| SPOKES | Black stainless |
| TIRES | Trail King / Trail King B+ |
| LIGHTS | LEZYNE E-BIKE POWER STVZO E115, reverse MERIDA Custom Mount / USB REAR Light CG-214RG |
| FENDER | C093-02F + C093-02R |
| DRIVE UNIT | Shimano EP8, 85Nm |
| BATTERY | Shimano E8036 630Wh / E8035 504Wh S |
| DISPLAY | Shimano SC-E7000 |



eONE-FORTY 700

SILK ANTHRACITE/BLACK

LITE III HFS-hydroformed Racelite 61 double butted aluminium frame featuring internal battery technology and an aggressive trail-bike geometry with 133 mm rear wheel travel. Shimano STePS EP8 motor allows for short chain stays delivering agility. 'Smart Entry' cable routing for rattle free running. Casting motor bracket creates an integrated appearance of the motor into the frame as well as provides an extremely strong connection between frame and motor.

| XC/MARATHON | TRAIL | ALL MOUNTAIN | ENDURO |



| | |
|-----------------------|------------------------------------------------------------------------------------------------------------------------------------------|
| FRAME | eONE-FORTY LITE III, material: aluminium, 133mm suspension travel, 27.5x2.8" max. wheelsize, 148x12mm axle standard, intube, max. 630 Wh |
| FRAME SIZE | S, M, L, XL, XXL |
| FORK | FOX Rhythm 34 Float eMTB+, Air, 140mm suspension travel, Tapered, 51mm fork offset, 29x2.5" max wheelsize |
| SHOCK | Rock Shox Deluxe Select+, platform |
| BRAKES | Shimano SLX |
| ROTORS | Shimano RT64 / Shimano RTEM600 |
| HEADSET | MERIDA-8152 |
| HANDLEBAR | MERIDA EXPERT eTR, 780mm width, 20mm rise |
| HANDLEBAR STEM | MERIDA EXPERT eTRII, material: aluminium, 35mm diameter, 0° stem angle, GoPro & Supernova mount, 50 mm all sizes |
| GRIP | MERIDA EXPERT EC |
| DERAILLEUR (R) | Shimano XT RDM8100 Shadow+ 12 |
| SHIFTERS | Shimano SL -MT500-IL / Shimano DEORE M6100 12 |
| SEAT POST | MERIDA EXPERT TR, 30.9mm diameter, 0mm setback, S: 125mm travel seatpost - M/L 150mm travel seatpost - XL/XXL 170mm travel seatpost |
| SEAT CLAMP | MERIDA EXPERT clamp |
| SADDLE | MERIDA EXPERT CC, V-mount |
| PEDAL | VP VPE-527 |

| | |
|-----------------------|-----------------------------------------------------------------------------------------------------------------|
| CHAIN | CN-M6100 |
| CHAINWHEEL | Shimano CRE80-12-B, 34 teeth, Shimano FC6M600 |
| FREEWHEEL | Shimano M6100, 10-51 teeth, 12 speed |
| BOTTOM BRACKET | included |
| RIM | MERIDA EXPERT TR, 29mm inner width, material: aluminium, Tubeless ready (tubeless tape and valves not included) |
| HUBS | Shimano SLX |
| AXLES | MERIDA EXPERT TR |
| SPOKES | Black stainless |
| TIRES | MAXXIS REKON |
| LIGHTS | LEZYNE E-BIKE POWER STVZO E115, reverse MERIDA Custom Mount / USB REAR Light CG-214RG |
| FENDER | C093-02F + C093-02R |
| DRIVE UNIT | Shimano EP8, 85Nm |
| BATTERY | Shimano E8036 630Wh / E8035 504Wh S |
| DISPLAY | Shimano SC-E7000 |



eONE-FORTY 700

SILK GREEN/LIGHT GREEN

LITE III HFS-hydroformed Racelite 61 double butted aluminium frame featuring internal battery technology and an aggressive trail-bike geometry with 133 mm rear wheel travel. Shimano STePS EP8 motor allows for short chain stays delivering agility. 'Smart Entry' cable routing for rattle free running. Casting motor bracket creates an integrated appearance of the motor into the frame as well as provides an extremely strong connection between frame and motor.

| XC/MARATHON | TRAIL | ALL MOUNTAIN | ENDURO |



| | |
|-----------------------|------------------------------------------------------------------------------------------------------------------------------------------|
| FRAME | eONE-FORTY LITE III, material: aluminium, 133mm suspension travel, 27.5x2.8" max. wheelsize, 148x12mm axle standard, intube, max. 630 Wh |
| FRAME SIZE | S, M, L, XL, XXL |
| FORK | FOX Rhythm 34 Float eMTB+, Air, 140mm suspension travel, Tapered, 51mm fork offset, 29x2.5" max wheelsize |
| SHOCK | Rock Shox Deluxe Select+, platform |
| BRAKES | Shimano SLX |
| ROTORS | Shimano RT64 / Shimano RTEM600 |
| HEADSET | MERIDA-8152 |
| HANDLEBAR | MERIDA EXPERT eTR, 780mm width, 20mm rise |
| HANDLEBAR STEM | MERIDA EXPERT eTRII, material: aluminium, 35mm diameter, 0° stem angle, GoPro & Supernova mount, 50 mm all sizes |
| GRIP | MERIDA EXPERT EC |
| DERAILLEUR (R) | Shimano XT RDM8100 Shadow+ 12 |
| SHIFTERS | Shimano SL -MT500-IL / Shimano DEORE M6100 12 |
| SEAT POST | MERIDA EXPERT TR, 30.9mm diameter, 0mm setback, S: 125mm travel seatpost - M/L 150mm travel seatpost - XL/XXL 170mm travel seatpost |
| SEAT CLAMP | MERIDA EXPERT clamp |
| SADDLE | MERIDA EXPERT CC, V-mount |
| PEDAL | VP VPE-527 |

| | |
|-----------------------|-----------------------------------------------------------------------------------------------------------------|
| CHAIN | CN-M6100 |
| CHAINWHEEL | Shimano CRE80-12-B, 34 teeth, Shimano FC6M600 |
| FREEWHEEL | Shimano M6100, 10-51 teeth, 12 speed |
| BOTTOM BRACKET | included |
| RIM | MERIDA EXPERT TR, 29mm inner width, material: aluminium, Tubeless ready (tubeless tape and valves not included) |
| HUBS | Shimano SLX |
| AXLES | MERIDA EXPERT TR |
| SPOKES | Black stainless |
| TIRES | MAXXIS REKON |
| LIGHTS | LEZYNE E-BIKE POWER STVZO E115, reverse MERIDA Custom Mount / USB REAR Light CG-214RG |
| FENDER | C093-02F + C093-02R |
| DRIVE UNIT | Shimano EP8, 85Nm |
| BATTERY | Shimano E8036 630Wh / E8035 504Wh S |
| DISPLAY | Shimano SC-E7000 |





eONE-FORTY 700

RED/BLACK

LITE III HFS-hydroformed Racelite 61 double butted aluminium frame featuring internal battery technology and an aggressive trail-bike geometry with 133 mm rear wheel travel. Shimano STePS EP8 motor allows for short chain stays delivering agility. 'Smart Entry' cable routing for rattle free running. Casting motor bracket creates an integrated appearance of the motor into the frame as well as provides an extremely strong connection between frame and motor.

| XC/MARATHON | TRAIL | ALL MOUNTAIN | ENDURO |



| | |
|-----------------------|------------------------------------------------------------------------------------------------------------------------------------------|
| FRAME | eONE-FORTY LITE III, material: aluminium, 133mm suspension travel, 27.5x2.8" max. wheelsize, 148x12mm axle standard, intube, max. 630 Wh |
| FRAME SIZE | S, M, L, XL, XXL |
| FORK | FOX Rhythm 34 Float eMTB+, Air, 140mm suspension travel, Tapered, 51mm fork offset, 29x2.5" max wheelsize |
| SHOCK | Rock Shox Deluxe Select+, platform |
| BRAKES | Shimano SLX |
| ROTORS | Shimano RT64 / Shimano RTEM600 |
| HEADSET | MERIDA-8152 |
| HANDLEBAR | MERIDA EXPERT eTR, 780mm width, 20mm rise |
| HANDLEBAR STEM | MERIDA EXPERT eTRII, material: aluminium, 35mm diameter, 0° stem angle, GoPro & Supernova mount, 50 mm all sizes |
| GRIP | MERIDA EXPERT EC |
| DERAILLEUR (R) | Shimano XT RDM8100 Shadow+ 12 |
| SHIFTERS | Shimano SL -MT500-IL / Shimano DEORE M6100 12 |
| SEAT POST | MERIDA EXPERT TR, 30.9mm diameter, 0mm setback, S: 125mm travel seatpost - M/L 150mm travel seatpost - XL/XXL 170mm travel seatpost |
| SEAT CLAMP | MERIDA EXPERT clamp |
| SADDLE | MERIDA EXPERT CC, V-mount |
| PEDAL | VP VPE-527 |

| | |
|-----------------------|-----------------------------------------------------------------------------------------------------------------|
| CHAIN | CN-M6100 |
| CHAINWHEEL | Shimano CRE80-12-B, 34 teeth, Shimano FCEM600 |
| FREEWHEEL | Shimano M6100, 10-51 teeth, 12 speed |
| BOTTOM BRACKET | included |
| RIM | MERIDA EXPERT TR, 29mm inner width, material: aluminium, Tubeless ready (tubeless tape and valves not included) |
| HUBS | Shimano SLX |
| AXLES | MERIDA EXPERT TR |
| SPOKES | Black stainless |
| TIRES | MAXXIS REKON |
| LIGHTS | LEZYNE E-BIKE POWER STVZO E115, reverse MERIDA Custom Mount / USB REAR Light CG-214RG |
| FENDER | C093-02F + C093-02R |
| DRIVE UNIT | Shimano EP8, 85Nm |
| BATTERY | Shimano E8036 630Wh / E8035 504Wh S |
| DISPLAY | Shimano SC-E7000 |



eONE-FORTY 500

SILK ANTHRACITE/BLACK

LITE III HFS-hydroformed Racelite 61 double butted aluminium frame featuring internal battery technology and an aggressive trail-bike geometry with 133 mm rear wheel travel. Shimano STePS EP8 motor allows for short chain stays delivering agility. 'Smart Entry' cable routing for rattle free running. Casting motor bracket creates an integrated appearance of the motor into the frame as well as provides an extremely strong connection between frame and motor.

| XC/MARATHON | TRAIL | ALL MOUNTAIN | ENDURO |



| | |
|-----------------------|------------------------------------------------------------------------------------------------------------------------------------------|
| FRAME | eONE-FORTY LITE III, material: aluminium, 133mm suspension travel, 27.5x2.8" max. wheelsize, 148x12mm axle standard, intube, max. 630 Wh |
| FRAME SIZE | S, M, L, XL, XXL |
| FORK | Marzocchi Z2 eMTB+, Air, 140mm suspension travel, Tapered, 51mm fork offset, 29x2.6" max wheelsize |
| SHOCK | SUNTOUR RS-EDGE-TR-LO-R8-M6, lockout |
| BRAKES | Shimano M4100 |
| ROTORS | Shimano RT30 / Shimano RTEM300 |
| HEADSET | MERIDA-8152 |
| HANDLEBAR | MERIDA EXPERT eTR, 780mm width, 20mm rise |
| HANDLEBAR STEM | MERIDA EXPERT eTRII, material: aluminium, 35mm diameter, 0° stem angle, GoPro & Supernova mount, 50 mm all sizes |
| GRIP | MERIDA EXPERT EC |
| DERAILLEUR (R) | Shimano Deore RDM5100 11 |
| SHIFTERS | Shimano SL -MT500-IL / Shimano Deore M5100 11 |
| SEAT POST | MERIDA COMP TR, 30.9mm diameter, 0mm setback, S 100mm travel seatpost - M/L 125mm travel seatpost - XL/XXL 150mm travel seatpost |
| SEAT CLAMP | MERIDA EXPERT clamp |
| SADDLE | MERIDA COMP CC, V-mount |
| PEDAL | VP VPE-537 |

| | |
|-----------------------|---------------------------------------------------------------------------------------------------------------|
| CHAIN | HG601-11 |
| CHAINWHEEL | Shimano CRE70-B, 34 teeth, Shimano FCEM600 |
| FREEWHEEL | Shimano M5100, 11-51 teeth, 11 speed |
| BOTTOM BRACKET | included |
| RIM | MERIDA COMP TR, 29mm inner width, material: aluminium, Tubeless ready (tubeless tape and valves not included) |
| HUBS | Shimano MT400-B |
| AXLES | MERIDA EXPERT TR |
| SPOKES | Black stainless |
| TIRES | MAXXIS REKON |
| LIGHTS | LEZYNE E-BIKE POWER STVZO E115, reverse MERIDA Custom Mount / USB REAR Light CG-214RG |
| FENDER | C093-02F + C093-02R |
| DRIVE UNIT | Shimano EP8, 85Nm |
| BATTERY | Shimano E8036 630Wh / E8035 504Wh S |
| DISPLAY | Shimano SC-E5003 |



eONE-FORTY 500

MATT GREEN/BLACK (RED)

LITE III HFS-hydroformed Racelite 61 double butted aluminium frame featuring internal battery technology and an aggressive trail-bike geometry with 133 mm rear wheel travel. Shimano STePS EP8 motor allows for short chain stays delivering agility. 'Smart Entry' cable routing for rattle free running. Casting motor bracket creates an integrated appearance of the motor into the frame as well as provides an extremely strong connection between frame and motor.

| XC/MARATHON | TRAIL | ALL MOUNTAIN | ENDURO |



| | |
|-----------------------|------------------------------------------------------------------------------------------------------------------------------------------|
| FRAME | eONE-FORTY LITE III, material: aluminium, 133mm suspension travel, 27.5x2.8" max. wheelsize, 148x12mm axle standard, intube, max. 630 Wh |
| FRAME SIZE | S, M, L, XL, XXL |
| FORK | Marzocchi Z2 eMTB+, Air, 140mm suspension travel, Tapered, 51mm fork offset, 29x2.6" max wheelsize |
| SHOCK | SUNTOUR RS-EDGE-TR-LO-R8-M6, lockout |
| BRAKES | Shimano M4100 |
| ROTORS | Shimano RT30 / Shimano RTEM300 |
| HEADSET | MERIDA-8152 |
| HANDLEBAR | MERIDA EXPERT eTR, 780mm width, 20mm rise |
| HANDLEBAR STEM | MERIDA EXPERT eTRII, material: aluminium, 35mm diameter, 0° stem angle, GoPro & Supernova mount, 50 mm all sizes |
| GRIP | MERIDA EXPERT EC |
| DERAILLEUR (R) | Shimano Deore RDMS100 11 |
| SHIFTERS | Shimano SL -MT500-IL / Shimano Deore M5100 11 |
| SEAT POST | MERIDA COMP TR, 30.9mm diameter, 0mm setback, S 100mm travel seatpost - M/L 125mm travel seatpost - XL/XXL 150mm travel seatpost |
| SEAT CLAMP | MERIDA EXPERT clamp |
| SADDLE | MERIDA COMP CC, V-mount |
| PEDAL | VP VPE-537 |

| | |
|-----------------------|---------------------------------------------------------------------------------------------------------------|
| CHAIN | HG601-11 |
| CHAINWHEEL | Shimano CRE70-B, 34 teeth, Shimano FCEM600 |
| FREEWHEEL | Shimano M5100, 11-51 teeth, 11 speed |
| BOTTOM BRACKET | included |
| RIM | MERIDA COMP TR, 29mm inner width, material: aluminium, Tubeless ready (tubeless tape and valves not included) |
| HUBS | Shimano MT400-B |
| AXLES | MERIDA EXPERT TR |
| SPOKES | Black stainless |
| TIRES | MAXXIS REKON |
| LIGHTS | LEZYNE E-BIKE POWER STVZO E115, reverse MERIDA Custom Mount / USB REAR Light CG-214RG |
| FENDER | C093-02F + C093-02R |
| DRIVE UNIT | Shimano EP8, 85Nm |
| BATTERY | Shimano E8036 630Wh / E8035 504Wh S |
| DISPLAY | Shimano SC-E5003 |



eONE-FORTY 500

LIME/BLACK

LITE III HFS-hydroformed Racelite 61 double butted aluminium frame featuring internal battery technology and an aggressive trail-bike geometry with 133 mm rear wheel travel. Shimano STePS EP8 motor allows for short chain stays delivering agility. 'Smart Entry' cable routing for rattle free running. Casting motor bracket creates an integrated appearance of the motor into the frame as well as provides an extremely strong connection between frame and motor.

| XC/MARATHON | TRAIL | ALL MOUNTAIN | ENDURO |



| | |
|-----------------------|------------------------------------------------------------------------------------------------------------------------------------------|
| FRAME | eONE-FORTY LITE III, material: aluminium, 133mm suspension travel, 27.5x2.8" max. wheelsize, 148x12mm axle standard, intube, max. 630 Wh |
| FRAME SIZE | S, M, L, XL, XXL |
| FORK | Marzocchi Z2 eMTB+, Air, 140mm suspension travel, Tapered, 51mm fork offset, 29x2.6" max wheelsize |
| SHOCK | SUNTOUR RS-EDGE-TR-LO-R8-M6, lockout |
| BRAKES | Shimano M4100 |
| ROTORS | Shimano RT30 / Shimano RTEM300 |
| HEADSET | MERIDA-8152 |
| HANDLEBAR | MERIDA EXPERT eTR, 780mm width, 20mm rise |
| HANDLEBAR STEM | MERIDA EXPERT eTRII, material: aluminium, 35mm diameter, 0° stem angle, GoPro & Supernova mount, 50 mm all sizes |
| GRIP | MERIDA EXPERT EC |
| DERAILLEUR (R) | Shimano Deore RDMS100 11 |
| SHIFTERS | Shimano SL -MT500-IL / Shimano Deore M5100 11 |
| SEAT POST | MERIDA COMP TR, 30.9mm diameter, 0mm setback, S 100mm travel seatpost - M/L 125mm travel seatpost - XL/XXL 150mm travel seatpost |
| SEAT CLAMP | MERIDA EXPERT clamp |
| SADDLE | MERIDA COMP CC, V-mount |
| PEDAL | VP VPE-537 |

| | |
|-----------------------|---------------------------------------------------------------------------------------------------------------|
| CHAIN | HG601-11 |
| CHAINWHEEL | Shimano CRE70-B, 34 teeth, Shimano FCEM600 |
| FREEWHEEL | Shimano M5100, 11-51 teeth, 11 speed |
| BOTTOM BRACKET | included |
| RIM | MERIDA COMP TR, 29mm inner width, material: aluminium, Tubeless ready (tubeless tape and valves not included) |
| HUBS | Shimano MT400-B |
| AXLES | MERIDA EXPERT TR |
| SPOKES | Black stainless |
| TIRES | MAXXIS REKON |
| LIGHTS | LEZYNE E-BIKE POWER STVZO E115, reverse MERIDA Custom Mount / USB REAR Light CG-214RG |
| FENDER | C093-02F + C093-02R |
| DRIVE UNIT | Shimano EP8, 85Nm |
| BATTERY | Shimano E8036 630Wh / E8035 504Wh S |
| DISPLAY | Shimano SC-E5003 |



eONE-FORTY 400

SILK ANTHRACITE/BLACK

LITE III HFS-hydroformed Racelite 61 double butted aluminium frame featuring internal battery technology and an aggressive trail-bike geometry with 133 mm rear wheel travel. Shimano STePS EP8 motor allows for short chain stays delivering agility. 'Smart Entry' cable routing for rattle free running. Casting motor bracket creates an integrated appearance of the motor into the frame as well as provides an extremely strong connection between frame and motor.

| XC/MARATHON | TRAIL | ALL MOUNTAIN | ENDURO |



| | |
|-----------------------|------------------------------------------------------------------------------------------------------------------------------------------|
| FRAME | eONE-FORTY LITE III, material: aluminium, 133mm suspension travel, 27.5x2.8" max. wheelsize, 148x12mm axle standard, intube, max. 630 Wh |
| FRAME SIZE | S, M, L, XL, XXL |
| FORK | Suntour XCR34 LOR DS, Air Boost, 140mm, Tapered, 51mm fork offset, 29x2.4" max wheelsize |
| SHOCK | SUNTOUR RS-EDGE-TR-LO-R8-M6, lockout |
| BRAKES | Shimano M4100 |
| ROTORS | Shimano RT30 / Shimano RTEM300 |
| HEADSET | MERIDA-8152 |
| HANDLEBAR | MERIDA EXPERT eTR, 780mm width, 20mm rise |
| HANDLEBAR STEM | MERIDA EXPERT eTRII, material: aluminium, 35mm diameter, 0° stem angle, GoPro & Supernova mount, 50 mm all sizes |
| GRIP | MERIDA EXPERT EC |
| DERAILLEUR (R) | Shimano Deore RDMS120 10 |
| SHIFTERS | Shimano SL -MT500-L clamp band / Shimano Deore M4100-RC1 clamp band 10 |
| SEAT POST | MERIDA COMP TR, 30.9mm diameter, 0mm setback, S 100mm travel seatpost - M/L 125mm travel seatpost - XL 150mm travel seatpost |
| SEAT CLAMP | MERIDA EXPERT clamp |
| SADDLE | MERIDA COMP CC, V-mount |
| PEDAL | VP VPE-537 |

| | |
|-----------------------|---------------------------------------------------------------------------------------------------------------|
| CHAIN | CNHG54 |
| CHAINWHEEL | Shimano CRE70-B, 34 teeth, Shimano FCEM600 |
| FREEWHEEL | Shimano M4100, 11-46 teeth, 10 speed |
| BOTTOM BRACKET | included |
| RIM | MERIDA COMP TR, 29mm inner width, material: aluminium, Tubeless ready (tubeless tape and valves not included) |
| HUBS | Shimano MT400-B |
| AXLES | MERIDA COMP TR |
| SPOKES | Black stainless |
| TIRES | MAXXIS REKON |
| LIGHTS | CG-119PG-BLACK(1) / CG-404RG-BLK |
| FENDER | C093-02F + C093-02R |
| DRIVE UNIT | Shimano EP8, 85Nm |
| BATTERY | Shimano E8036 630Wh / E8035 504Wh S |
| DISPLAY | Shimano SC-E5003 |



eONE-FORTY 400

BLACK/ORANGE

LITE III HFS-hydroformed Racelite 61 double butted aluminium frame featuring internal battery technology and an aggressive trail-bike geometry with 133 mm rear wheel travel. Shimano STePS EP8 motor allows for short chain stays delivering agility. 'Smart Entry' cable routing for rattle free running. Casting motor bracket creates an integrated appearance of the motor into the frame as well as provides an extremely strong connection between frame and motor.

| XC/MARATHON | TRAIL | ALL MOUNTAIN | ENDURO |



| | |
|-----------------------|------------------------------------------------------------------------------------------------------------------------------------------|
| FRAME | eONE-FORTY LITE III, material: aluminium, 133mm suspension travel, 27.5x2.8" max. wheelsize, 148x12mm axle standard, intube, max. 630 Wh |
| FRAME SIZE | S, M, L, XL, XXL |
| FORK | Suntour XCR34 LOR DS, Air Boost, 140mm, Tapered, 51mm fork offset, 29x2.4" max wheelsize |
| SHOCK | SUNTOUR RS-EDGE-TR-LO-R8-M6, lockout |
| BRAKES | Shimano M4100 |
| ROTORS | Shimano RT30 / Shimano RTEM300 |
| HEADSET | MERIDA-8152 |
| HANDLEBAR | MERIDA EXPERT eTR, 780mm width, 20mm rise |
| HANDLEBAR STEM | MERIDA EXPERT eTRII, material: aluminium, 35mm diameter, 0° stem angle, GoPro & Supernova mount, 50 mm all sizes |
| GRIP | MERIDA EXPERT EC |
| DERAILLEUR (R) | Shimano Deore RDMS120 10 |
| SHIFTERS | Shimano SL -MT500-L clamp band / Shimano Deore M4100-RC1 clamp band 10 |
| SEAT POST | MERIDA COMP TR, 30.9mm diameter, 0mm setback, S 100mm travel seatpost - M/L 125mm travel seatpost - XL 150mm travel seatpost |
| SEAT CLAMP | MERIDA EXPERT clamp |
| SADDLE | MERIDA COMP CC, V-mount |
| PEDAL | VP VPE-537 |

| | |
|-----------------------|---------------------------------------------------------------------------------------------------------------|
| CHAIN | CNHG54 |
| CHAINWHEEL | Shimano CRE70-B, 34 teeth, Shimano FCEM600 |
| FREEWHEEL | Shimano M4100, 11-46 teeth, 10 speed |
| BOTTOM BRACKET | included |
| RIM | MERIDA COMP TR, 29mm inner width, material: aluminium, Tubeless ready (tubeless tape and valves not included) |
| HUBS | Shimano MT400-B |
| AXLES | MERIDA COMP TR |
| SPOKES | Black stainless |
| TIRES | MAXXIS REKON |
| LIGHTS | CG-119PG-BLACK(1) / CG-404RG-BLK |
| FENDER | C093-02F + C093-02R |
| DRIVE UNIT | Shimano EP8, 85Nm |
| BATTERY | Shimano E8036 630Wh / E8035 504Wh S |
| DISPLAY | Shimano SC-E5003 |



eONE-FORTY EQ

SPARKLING DEEP GREEN (GREEN)

LITE III HFS-hydroformed Racelite 61 double butted aluminium frame featuring internal battery technology and an aggressive trail-bike geometry with 133 mm rear wheel travel. Shimano STePS EP8 motor allows for short chain stays delivering agility. 'Smart Entry' cable routing for rattle free running. Casting motor bracket creates an integrated appearance of the motor into the frame as well as provides an extremely strong connection between frame and motor.

| XC/MARATHON | TRAIL | ALL MOUNTAIN | ENDURO |



| | |
|-----------------------|------------------------------------------------------------------------------------------------------------------------------------------|
| FRAME | eONE-FORTY LITE III, material: aluminium, 133mm suspension travel, 27.5x2.8" max. wheelsize, 148x12mm axle standard, intube, max. 630 Wh |
| FRAME SIZE | S, M, L, XL, XXL |
| FORK | Suntour ZERON 35-Boost LOR, Air, 140mm suspension travel, Tapered, 51mm fork offset, 29x2.4" max wheelsize |
| SHOCK | SUNTOUR RS-EDGE-TR-LO-R8-M6, lockout |
| BRAKES | Shimano M4100 |
| ROTORS | Shimano RT30 / Shimano RTEM300 |
| HEADSET | MERIDA-8152 |
| HANDLEBAR | MERIDA EXPERT eTR, 780mm width, 20mm rise |
| HANDLEBAR STEM | MERIDA EXPERT eTRII, material: aluminium, 35mm diameter, 0° stem angle, GoPro & Supernova mount, 50 mm all sizes |
| GRIP | MERIDA EXPERT EC |
| DERAILLEUR (R) | Shimano Deore RDMS100 11 |
| SHIFTERS | Shimano SL -MT500-IL / Shimano Deore M5100 11 |
| SEAT POST | MERIDA COMP TR, 30.9mm diameter, 0mm setback, S 100mm travel seatpost - M/L 125mm travel seatpost - XL 150mm travel seatpost |
| SEAT CLAMP | MERIDA EXPERT clamp |
| SADDLE | MERIDA EXPERT CC, V-mount |
| PEDAL | VP VPE-537 |

| | |
|-----------------------|-----------------------------------------------------------------------------------------------------------------|
| CHAIN | HG601-11 |
| CHAINWHEEL | Shimano CRE70-B, 34 teeth, Shimano FCEM600 |
| FREEWHEEL | Shimano M5100, 11-51 teeth, 11 speed |
| BOTTOM BRACKET | included |
| RIM | MERIDA COMP TR, 29mm inner width, material: aluminium, Tubeless ready (tubeless tape and valves not included) |
| HUBS | Shimano MT400-B |
| AXLES | MERIDA EXPERT TR |
| SPOKES | Black stainless |
| TIRES | MAXXIS REKON |
| LIGHTS | LEZYNE E-BIKE POWER STVZO E115, reverse MERIDA Custom Mount / Herrmans H-Cargo integrated in MERIDA MIK carrier |
| CARRIER | MERIDA MA006 |
| FENDER | Fender:FA311-70A / 75E3 with SW803V-70 / 75, fender stay MA007, alloy rail, SW809-01 |
| KICKSTAND | Atranvelo ED-100-PC |
| DRIVE UNIT | Shimano EP8, 85Nm |
| BATTERY | Shimano E8036 630Wh / E8035 504Wh S |
| DISPLAY | Shimano SC-E5003 |



eONE-FORTY EQ

SILK ANTHRACITE (BLACK)

LITE III HFS-hydroformed Racelite 61 double butted aluminium frame featuring internal battery technology and an aggressive trail-bike geometry with 133 mm rear wheel travel. Shimano STePS EP8 motor allows for short chain stays delivering agility. 'Smart Entry' cable routing for rattle free running. Casting motor bracket creates an integrated appearance of the motor into the frame as well as provides an extremely strong connection between frame and motor.

| XC/MARATHON | TRAIL | ALL MOUNTAIN | ENDURO |



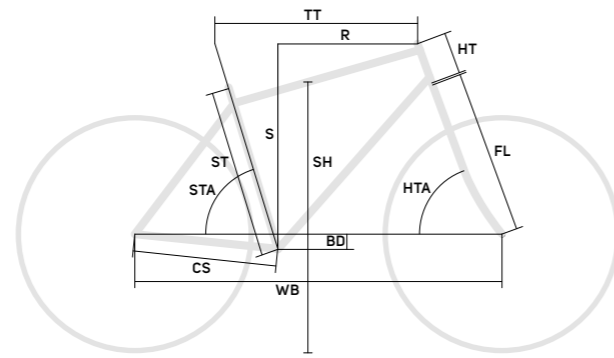
| | |
|-----------------------|------------------------------------------------------------------------------------------------------------------------------------------|
| FRAME | eONE-FORTY LITE III, material: aluminium, 133mm suspension travel, 27.5x2.8" max. wheelsize, 148x12mm axle standard, intube, max. 630 Wh |
| FRAME SIZE | S, M, L, XL, XXL |
| FORK | Suntour ZERON 35-Boost LOR, Air, 140mm suspension travel, Tapered, 51mm fork offset, 29x2.4" max wheelsize |
| SHOCK | SUNTOUR RS-EDGE-TR-LO-R8-M6, lockout |
| BRAKES | Shimano M4100 |
| ROTORS | Shimano RT30 / Shimano RTEM300 |
| HEADSET | MERIDA-8152 |
| HANDLEBAR | MERIDA EXPERT eTR, 780mm width, 20mm rise |
| HANDLEBAR STEM | MERIDA EXPERT eTRII, material: aluminium, 35mm diameter, 0° stem angle, GoPro & Supernova mount, 50 mm all sizes |
| GRIP | MERIDA EXPERT EC |
| DERAILLEUR (R) | Shimano Deore RDMS100 11 |
| SHIFTERS | Shimano SL -MT500-IL / Shimano Deore M5100 11 |
| SEAT POST | MERIDA COMP TR, 30.9mm diameter, 0mm setback, S 100mm travel seatpost - M/L 125mm travel seatpost - XL 150mm travel seatpost |
| SEAT CLAMP | MERIDA EXPERT clamp |
| SADDLE | MERIDA EXPERT CC, V-mount |
| PEDAL | VP VPE-537 |

| | |
|-----------------------|-----------------------------------------------------------------------------------------------------------------|
| CHAIN | HG601-11 |
| CHAINWHEEL | Shimano CRE70-B, 34 teeth, Shimano FCEM600 |
| FREEWHEEL | Shimano M5100, 11-51 teeth, 11 speed |
| BOTTOM BRACKET | included |
| RIM | MERIDA COMP TR, 29mm inner width, material: aluminium, Tubeless ready (tubeless tape and valves not included) |
| HUBS | Shimano MT400-B |
| AXLES | MERIDA EXPERT TR |
| SPOKES | Black stainless |
| TIRES | MAXXIS REKON |
| LIGHTS | LEZYNE E-BIKE POWER STVZO E115, reverse MERIDA Custom Mount / Herrmans H-Cargo integrated in MERIDA MIK carrier |
| CARRIER | MERIDA MA006 |
| FENDER | Fender:FA311-70A / 75E3 with SW803V-70 / 75, fender stay MA007, alloy rail, SW809-01 |
| KICKSTAND | Atranvelo ED-100-PC |
| DRIVE UNIT | Shimano EP8, 85Nm |
| BATTERY | Shimano E8036 630Wh / E8035 504Wh S |
| DISPLAY | Shimano SC-E5003 |



eONE-FORTY

GEOMETRIES



eONE-FORTY CFA II

| FS Frame Size | S | M | L | XL | XXL |
|-----------------------------|----------|----------|----------|----------|----------|
| TS Tire Size | 29/27.5" | 29/27.5" | 29/27.5" | 29/27.5" | 29/27.5" |
| ST seat tube [mm] | 405 | 420 | 440 | 470 | 500 |
| TT top tube [mm] | 561 | 582 | 603 | 626 | 650 |
| CS chain stay length [mm] | 439.5 | 439.5 | 439.5 | 439.5 | 439.5 |
| HTA head tube angle [°] | 66.5 | 66.5 | 66.5 | 66.5 | 66.5 |
| STA seat tube angle [°] | 76.5 | 76.5 | 76.5 | 76.5 | 76.5 |
| BD bottom bracket drop [mm] | 24 | 24 | 24 | 24 | 24 |
| HT head tube [mm] | 110 | 115 | 120 | 135 | 150 |
| FL fork length [mm] | 551 | 551 | 551 | 551 | 551 |
| R reach [mm] | 410 | 429.5 | 449.5 | 469.5 | 489.5 |
| S stack [mm] | 622 | 626.5 | 631 | 644.5 | 658 |
| WB wheel base [mm] | 1160 | 1182 | 1204 | 1230.5 | 1256.5 |
| SH stand over height [mm] | 736 | 731 | 727 | 734 | 748 |

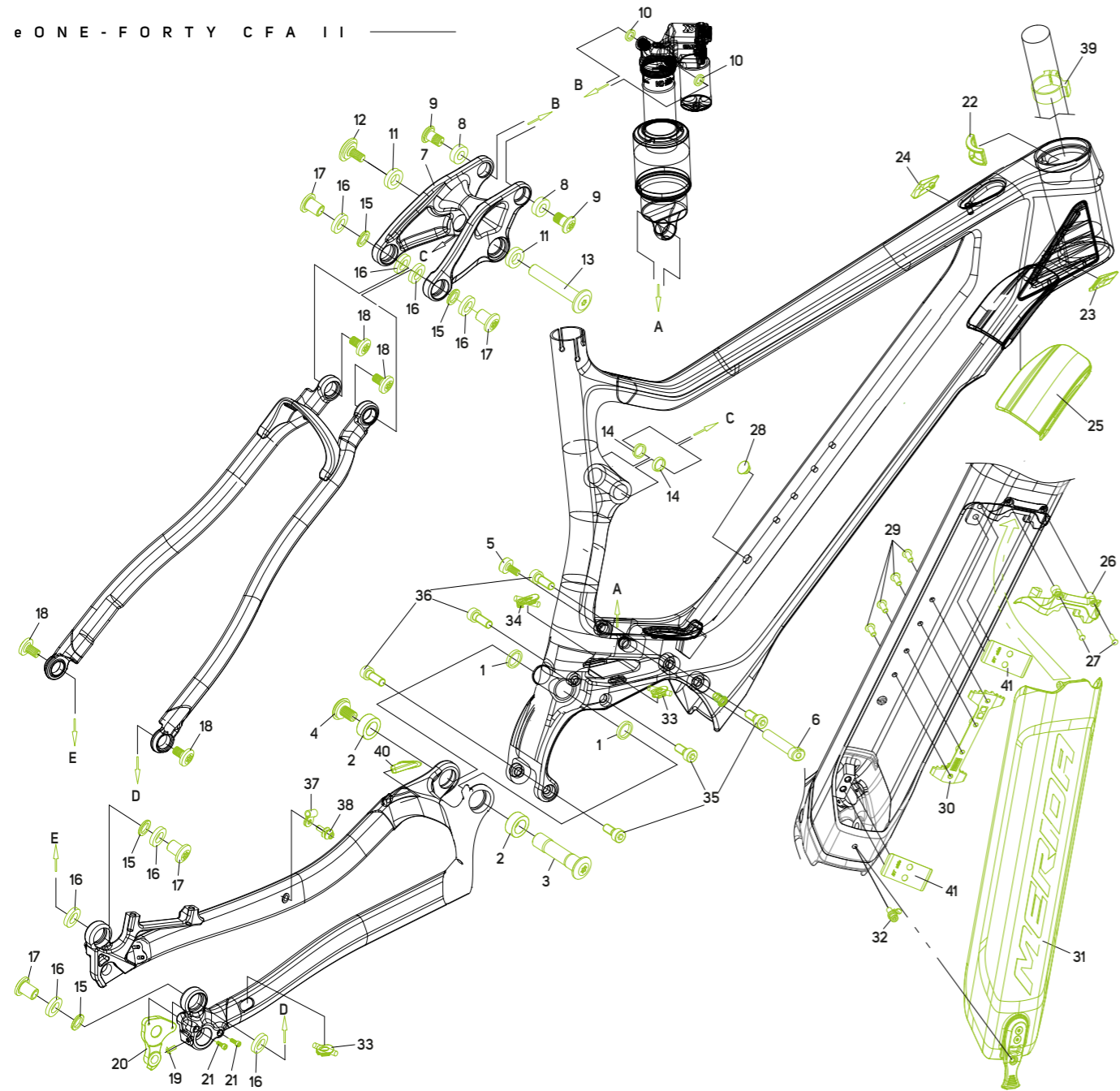
eONE-FORTY LITE III

| FS Frame Size | S | M | L | XL | XXL |
|-----------------------------|----------|----------|----------|----------|----------|
| TS Tire Size | 29/27.5" | 29/27.5" | 29/27.5" | 29/27.5" | 29/27.5" |
| ST seat tube [mm] | 405 | 415 | 430 | 450 | 470 |
| TT top tube [mm] | 561 | 581 | 603 | 624 | 645 |
| CS chain stay length [mm] | 439.5 | 439.5 | 439.5 | 439.5 | 439.5 |
| HTA head tube angle [°] | 66.5 | 66.5 | 66.5 | 66.5 | 66.5 |
| STA seat tube angle [°] | 76.5 | 76.5 | 76.5 | 76.5 | 76.5 |
| BD bottom bracket drop [mm] | 25 | 25 | 25 | 25 | 25 |
| HT head tube [mm] | 110 | 115 | 120 | 125 | 130 |
| FL fork length [mm] | 551 | 551 | 551 | 551 | 551 |
| R reach [mm] | 410 | 430 | 450 | 469 | 489 |
| S stack [mm] | 622 | 627 | 631 | 635 | 640 |
| WB wheel base [mm] | 1160 | 1182 | 1204 | 1226 | 1248 |
| SH stand over height [mm] | 729 | 730 | 727 | 733 | 747 |

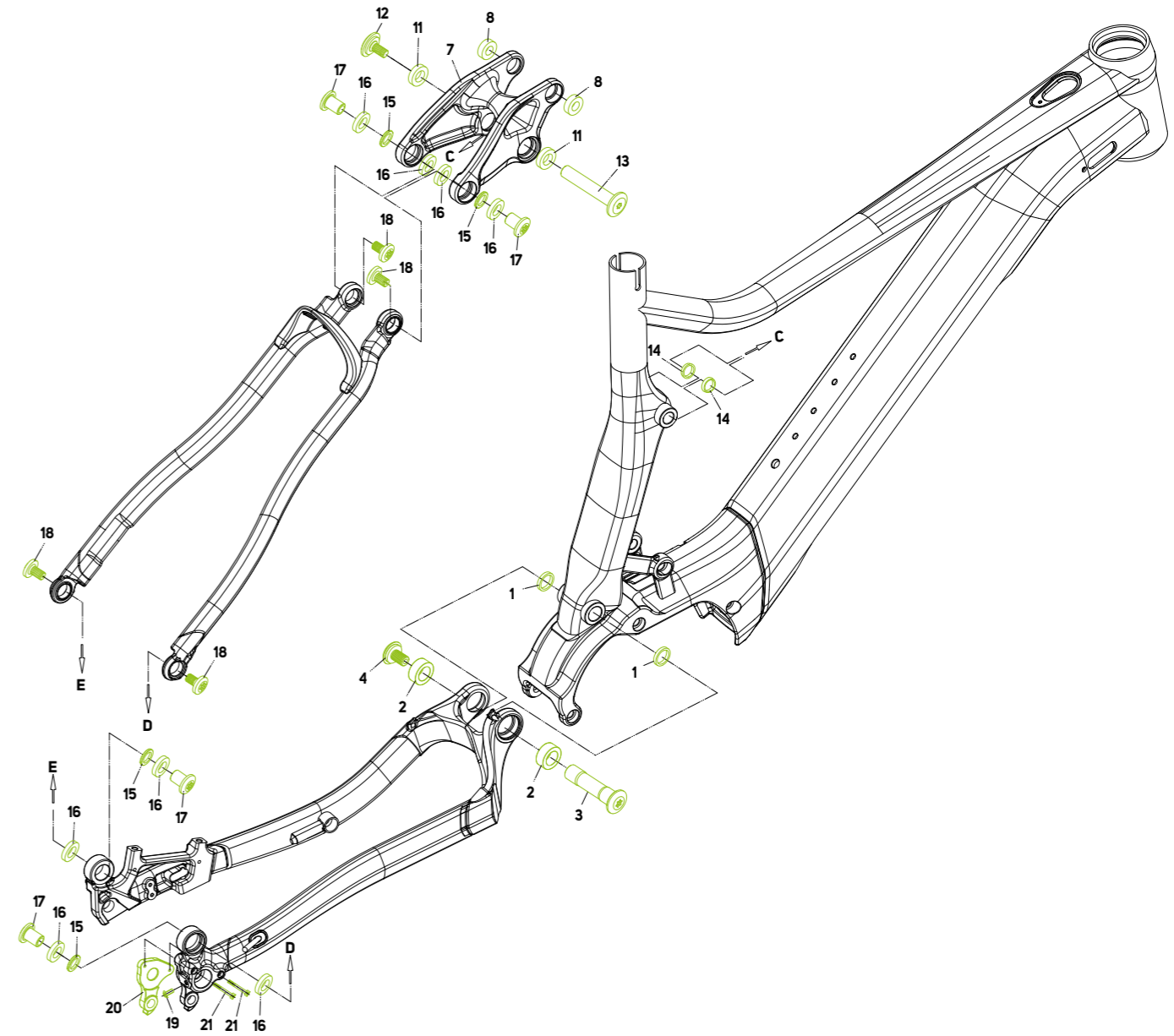
FRAME INTERFACES

| | CFA II | LITE III |
|------------------------------|----------------------------------------------------------------|--------------------------------------------------------------------------------------------------------|
| MAX. WHEELSIZE | 27.5x2.8" | 27.5x2.8" |
| HEAD TUBE | | |
| 1 1/2" & 1 1/2" | • | • |
| HEADSET | | |
| INTEGRATED | • | • |
| BRAKE STANDARD | | |
| DISC BRAKE ON CHAIN STAY | • | • |
| POST MOUNT 180 mm REAR BRAKE | • | • |
| SEATPOST DIAMETER | | |
| 30.9 mm | • | • |
| REAR DROPOUT-STANDARD | | |
| THRU AXLE 12x148 mm | • | • |
| CABLE ROUTING | | |
| INTERNAL SHIFTING CABLES | • | • |
| INTERNAL BRAKE CABLE | • | • |
| INTERNAL SEAT POST CABLE | • | • |
| DI2-READY | • | • |
| EQUIPMENT OPTIONS | | |
| ATRAN VELO 17 mm | • | • |
| MOTOR INTERFACE | Shimano Type 2 | Shimano Type 2 |
| BATTERY | Shimano BT-E8036/8035-L except size XS for BT-E8035 only | Shimano BT-E8036/8035-L or Simplex TPS-004-35PA/TPP-001-35PA except size XS for BT-E8035 only |
| SPEEDSENSOR MOUNT | SM-DUE11 | SM-DUE11 |
| RD HANGER | DH-057 | DH-057 |





| No. | Item No. | Item | Detail information | Pieces | Torque Nm | No. | Item No. | Item | Detail information | Pieces | Torque Nm |
|-----|------------|---------|-----------------------|--------|-----------|-----|-------------|----------------------|-----------------------|--------|-----------|
| 1 | 2294001180 | WASHER | | 2 | | 23 | 2258005535 | CABLE GUIDE | | 1 | |
| 2 | 2221002395 | BEARING | 3802V-2RS 24D*15D*7W | 2 | | 24 | 2258005546 | CABLE GUIDE | | 1 | |
| 3 | 2300012662 | BOLT | | 1 | | 25 | 2029000845 | BUMPER | only ST 405mm | 1 | |
| 4 | 2300012673 | SCREW | | 1 | 18 | 25 | 20290001181 | BUMPER | only ST 440/470/500mm | 1 | |
| 5 | 2300014426 | SCREW | | 1 | 12 | 26 | 2161001314 | COVER MOUNT | | 1 | |
| 6 | 2300014103 | BOLT | | 1 | | 27 | 2300011412 | SCREW | | 2 | 4 |
| 7 | 2035001617 | S-LINK | | 1 | | 28 | 2143003718 | PLUG | | 1 | |
| 8 | 2221002254 | BEARING | 6800V-2RS 19D*10D*5W | 2 | | 29 | 2298011283 | SCREW | | 4 | 5 |
| 9 | 2300011865 | SCREW | | 2 | 16 | 30 | 2161001303 | CABLE GUIDE | | 1 | |
| 10 | 2294004633 | WASHER | | 2 | | 31 | 2161002100 | ENERGY GUARD | only 504WH | 1 | |
| 11 | 2221002265 | BEARING | 6801V-2RS 21D*12D*5W | 2 | | 31 | 2161002111 | ENERGY GUARD | only 630WH | 1 | |
| 12 | 2300012695 | SCREW | | 1 | 14 | 32 | 2300016075 | SCREW | | 1 | 5 |
| 13 | 2300012684 | BOLT | | 1 | | 33 | 2258003801 | CABLE GUIDE | | 2 | |
| 14 | 2294002255 | WASHER | | 2 | | 34 | 2258004943 | CABLE GUIDE | | 1 | |
| 15 | 2294004826 | WASHER | | 4 | | 35 | 2300015751 | SCREW | | 3 | 12 |
| 16 | 2221002328 | BEARING | 12214V-2RS 21D*12D*4W | 8 | | 36 | 2300015762 | SCREW | | 3 | 12 |
| 17 | 2300012703 | BOLT | | 4 | | 37 | 2258001133 | CABLE GUIDE | | 1 | |
| 18 | 2300012714 | SCREW | | 4 | 14 | 38 | 2298002501 | SCREW | | 1 | 5 |
| 19 | 2300005272 | SCREW | | 1 | 5 | 39 | 2248001919 | INTERNAL BLOCK CLAMP | | 1 | |
| 20 | 2311005101 | DROPOUT | DH-057 (see page 610) | 1 | | 40 | 2258005814 | CABLE GUIDE | | 1 | |
| 21 | 2300010950 | SCREW | | 2 | 4 | 41 | 2111001046 | CABLE HOLDER | | 2 | |
| 22 | 2029000856 | BUMPER | | 1 | | | | | | | |



| No. | Item No. | Item | Detail information | Pieces | Torque Nm | No. | Item No. | Item | Detail information | Pieces | Torque Nm |
|-----|------------|-------------|-------------------------|--------|-----------|-----|------------|--------------------|--------------------|--------|-----------|
| 1 | 2294001180 | WASHER | | 2 | | 27 | 2161002133 | ENERGY GUARD TWIST | | 1 | |
| 2 | 2221002395 | BEARING | 3802V-2RS 24D*15D*7W | 2 | | 28 | 2161002229 | CABLE GUIDE | | 1 | |
| 3 | 2300012662 | BOLT | | 1 | | 29 | 2298011283 | SCREW | | 4 | 5 |
| 4 | 2300012673 | SCREW | | 1 | 18 | 30 | 2300015751 | SCREW | | 3 | 12 |
| 7 | 2035001617 | S-LINK | | 1 | | 31 | 2300015762 | SCREW | | 3 | 12 |
| 8 | 2221002254 | BEARING | 6800V-2RS 19D*10D*5W | 2 | | 32 | 2258001133 | CABLE GUIDE | | 1 | |
| 11 | 2221002265 | BEARING | 6801-2RS 21D*12D*5W | 2 | | 33 | 2298002501 | SCREW | | 1 | 5 |
| 12 | 2300012695 | SCREW | | 1 | 14 | 34 | 2258003801 | CABLE GUIDE | | 1 | |
| 13 | 2300012684 | BOLT | | 1 | | 35 | 2258005814 | CABLE GUIDE | | 1 | |
| 14 | 2294002255 | WASHER | | 2 | | 36 | 2143002869 | PLUG | | 1 | |
| 15 | 2294004826 | WASHER | | 4 | | 37 | 2143003600 | PLUG | | 1 | |
| 16 | 2221002328 | BEARING | 12214V-2RS 21D*12D*4W | 8 | | 38 | 2143003804 | PLUG | | 1 | |
| 17 | 2300015375 | BOLT | | 4 | | 39 | 2111001046 | CABLE HOLDER | | 2 | |
| 18 | 2300015386 | SCREW | | 4 | 14 | 40 | 2143003923 | ON / OFF BUTTON | | 1 | |
| 19 | 2300005272 | SCREW | | 1 | 5 | | | | | | |
| 20 | 2311005101 | DROPOUT | DH - 057 (see page 610) | 1 | | | | | | | |
| 21 | 2300010950 | SCREW | | 2 | 4 | | | | | | |
| 22 | 2300011412 | SCREW | | 2 | 4 | | | | | | |
| 23 | | SMART ENTRY | (see page 606) | 1 | | | | | | | |
| 24 | 2300011810 | SCREW | | 1 | 4 | | | | | | |
| 25 | 2161001671 | COVER | | 1 | | | | | | | |
| 26 | 2029000856 | BUMPER | | 1 | | | | | | | |



COMMUTING MEETS ACTION

SPORT



eBIG.NINE / SEVEN

SPORTY RIDE OR SPEEDY COMMUTE

Our tried and tested eBIG.NINE 29er will return in 2021 with an exciting motor upgrade to Shimano's new EP8 power unit and an integrated 'fuel tank' that has been increased to 630 Wh. A bike that embodies the perfect balance of day-to-day usability and sporty leisure activity, the geometry and riding character of the eBIG.NINE sit between the eSPRESSO and the more trail focused e-full suspension bikes. Ready to be equipped with mudguards and even a side stand (or available as the EQ fully equipped version), the eBIG.NINE come perfectly prepared for the daily commute to work.



RIGHT TOOL FOR THE JOB

The eBIG.NINE and eBIG.NINE EQ are not just 'separated' by the equipped fenders, rear racks and lights, but also by less obvious parts like grips, saddle, stem and tyres, that make the eBIG.NINE EQ more comfortable and trekking orientated than the eBIG.NINE.



1

SPORTY, SPORTY

The geometry of our eBIG.NINE follows one very simple principle: As sporty as possible, as comfortable as necessary. You ride to work in the morning but fancy a little off-road detour on the way home? No problem – that is what these bikes are made for!

2

EP8

MORE POWER AND RANGE

The EP8 motor offers a perfectly balanced power delivery with up to 85 Nm and has further improved on size, weight, noise and motor drag. The new 630 Wh battery is perfectly integrated into the hydroformed down tube and delivers an impressive range for even longer detours home.

3

WATER CARRIER

The eBIG.NINE offers the possibility to fit a water bottle or accessories like a lock or pump to the frame. The frame has (standard) bottle bosses on top of the down tube and at the seat tube, where a special adapter offers a very low mounting position, allowing maximum seat post insertion depth (guaranteed in all frame sizes).

4

WITH K/C/F MOUNT

'K-mount' featuring bikes have fixing points on the chain stays to fit a MERIDA kickstand while 'C-mount' equipped bikes have the fixing point for the rear rack (carrier) integrated. 'F-mount' equipped bikes have the fixing points for the mudguards (fenders) already integrated.

eBIG.NINE 700 EQ

GREY/BLACK

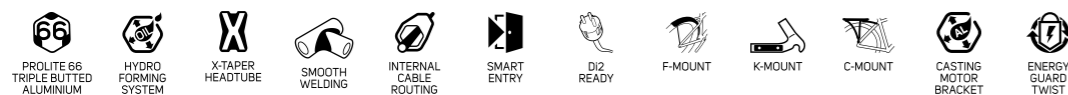
LITE III HFS-hydroforming Prolite 66 triple butted aluminium 29er hardtail frame with integrated battery technology and sporty yet comfortable geometry. 'Smart Entry' cable routing for rattle free running. The casting motor bracket creating an integrated appearance of the motor into the frame as well as provides an extremely strong connection between frame and motor. Comes with integrated fixings for mudguards and side stand. Multiple fixing positions for water bottles and accessories.

| LEISURE | TRAIL | ALL MOUNTAIN | ENDURO |



| | |
|-----------------------|----------------------------------------------------------------------------------------------------------------------------------------------------------|
| FRAME | eBIG.NINE LITE III, material: aluminium, 29x2.35" without fender max./ 29"x2.25" with fender max. wheelsize, 148x12mm axle standard, intube, max. 630 Wh |
| FRAME SIZE | S, M, L, XL |
| FORK | Suntour RAIDON34 LOR, Air, 100mm suspension travel, Tapered, 51mm fork offset, 29x2.4" max wheelsize |
| BRAKES | Shimano M4100 |
| ROTORS | Shimano RT30 / Shimano RTEM300 |
| HEADSET | MERIDA-8155 (for the steerer 1-1/8"-1.5") |
| HANDLEBAR | MERIDA EXPERT CC, material: aluminium, 720mm width, 10mm rise |
| HANDLEBAR STEM | MERIDA EXPERT CT, material: aluminium, 31.8mm diameter, adjustable, 90 mm all sizes |
| GRIP | MERIDA EXPERT TK |
| DERAILLEUR (R) | Shimano XT RDM8100 Shadow+ 12 |
| SHIFTERS | Shimano DEORE M6100 12 |
| SEAT POST | MERIDA EXPERT CC, material: aluminium, 34.9mm diameter, 0mm setback |
| SEAT CLAMP | MERIDA EXPERT |
| SADDLE | MERIDA EXPERT TK, V-mount |
| PEDAL | VP VPE-527 |
| CHAIN | CN-M6100 |

| | |
|-----------------------|--------------------------------------------------------------------------------|
| CHAINWHEEL | Shimano CRE70-12-B, 36 teeth, Shimano FC6M600 |
| FREEWHEEL | Shimano M6100, 10-51 teeth, 12 speed |
| BOTTOM BRACKET | included |
| RIM | MERIDA COMP CC, 20mm inner width, material: aluminium |
| HUBS | Shimano SLX |
| AXLES | MERIDA EXPERT TR |
| SPOKES | Black stainless |
| TIRES | KENDA Booster |
| LIGHTS | LEZYNE E-BIKE POWER STVZO E115, X-Lock stem mount / Spanninga Commuter GLOW XE |
| CARRIER | MERIDA MA008-1 w/spring clamp + Spanninga GLOW XE |
| FENDER | Sunnywheel SW-FA311-65A/ SW-FA311-65E1 |
| KICKSTAND | CL-KA98, 29" |
| FRAME LOCK | Abus 5650 LH-3 lock |
| BATTERY LOCK | Abus key |
| DRIVE UNIT | Shimano EP8, 85Nm |
| BATTERY | Shimano E8036 630Wh |



eBIG.NINE 700 EQ

MATT GREEN/BLACK

LITE III HFS-hydroforming Prolite 66 triple butted aluminium 29er hardtail frame with integrated battery technology and sporty yet comfortable geometry. 'Smart Entry' cable routing for rattle free running. The casting motor bracket creating an integrated appearance of the motor into the frame as well as provides an extremely strong connection between frame and motor. Comes with integrated fixings for mudguards and side stand. Multiple fixing positions for water bottles and accessories.

| LEISURE | TRAIL | ALL MOUNTAIN | ENDURO |



| | |
|-----------------------|----------------------------------------------------------------------------------------------------------------------------------------------------------|
| FRAME | eBIG.NINE LITE III, material: aluminium, 29x2.35" without fender max./ 29"x2.25" with fender max. wheelsize, 148x12mm axle standard, intube, max. 630 Wh |
| FRAME SIZE | S, M, L, XL |
| FORK | Suntour RAIDON34 LOR, Air, 100mm suspension travel, Tapered, 51mm fork offset, 29x2.4" max wheelsize |
| BRAKES | Shimano M4100 |
| ROTORS | Shimano RT30 / Shimano RTEM300 |
| HEADSET | MERIDA-8155 (for the steerer 1-1/8"-1.5") |
| HANDLEBAR | MERIDA EXPERT CC, material: aluminium, 720mm width, 10mm rise |
| HANDLEBAR STEM | MERIDA EXPERT CT, material: aluminium, 31.8mm diameter, adjustable, 90 mm all sizes |
| GRIP | MERIDA EXPERT TK |
| DERAILLEUR (R) | Shimano XT RDM8100 Shadow+ 12 |
| SHIFTERS | Shimano DEORE M6100 12 |
| SEAT POST | MERIDA EXPERT CC, material: aluminium, 34.9mm diameter, 0mm setback |
| SEAT CLAMP | MERIDA EXPERT |
| SADDLE | MERIDA EXPERT TK, V-mount |
| PEDAL | VP VPE-527 |
| CHAIN | CN-M6100 |

| | |
|-----------------------|--------------------------------------------------------------------------------|
| CHAINWHEEL | Shimano CRE70-12-B, 36 teeth, Shimano FC6M600 |
| FREEWHEEL | Shimano M6100, 10-51 teeth, 12 speed |
| BOTTOM BRACKET | included |
| RIM | MERIDA COMP CC, 20mm inner width, material: aluminium |
| HUBS | Shimano SLX |
| AXLES | MERIDA EXPERT TR |
| SPOKES | Black stainless |
| TIRES | KENDA Booster |
| LIGHTS | LEZYNE E-BIKE POWER STVZO E115, X-Lock stem mount / Spanninga Commuter GLOW XE |
| CARRIER | MERIDA MA008-1 w/spring clamp + Spanninga GLOW XE |
| FENDER | Sunnywheel SW-FA311-65A/ SW-FA311-65E1 |
| KICKSTAND | CL-KA98, 29" |
| FRAME LOCK | Abus 5650 LH-3 lock |
| BATTERY LOCK | Abus key |
| DRIVE UNIT | Shimano EP8, 85Nm |
| BATTERY | Shimano E8036 630Wh |



eBIG.NINE 700

MATT GREEN/BLACK

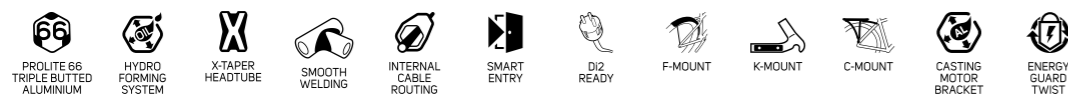
LITE III HFS-hydroforming Prolite 66 triple butted aluminium 29er hardtail frame with integrated battery technology and sporty yet comfortable geometry. 'Smart Entry' cable routing for rattle free running. The casting motor bracket creating an integrated appearance of the motor into the frame as well as provides an extremely strong connection between frame and motor. Comes with integrated fixings for mudguards and side stand. Multiple fixing positions for water bottles and accessories.

| LEISURE | TRAIL | ALL MOUNTAIN | ENDURO |



| | |
|-----------------------|-----------------------------------------------------------------------------------------------------------------------------------------------------------|
| FRAME | eBIG.NINE LITE III, material: aluminium, 29x2.35" without fender max. / 29"x2.25" with fender max. wheelsize, 148x12mm axle standard, intube, max. 630 Wh |
| FRAME SIZE | S, M, L, XL |
| FORK | Suntour RAIDON34 LOR, Air, 100mm suspension travel, Tapered, 51mm fork offset, 29x2.4" max wheelsize |
| BRAKES | Shimano M4100 |
| ROTORS | Shimano RT30 / Shimano RTEM300 |
| HEADSET | MERIDA-8157 |
| HANDLEBAR | MERIDA EXPERT eTR, 760mm width, 20mm rise |
| HANDLEBAR STEM | MERIDA EXPERT eTRII, material: aluminium, 35mm diameter, 0° stem angle, GoPro & Supernova mount, 50 mm all sizes |
| GRIP | MERIDA EXPERT EC |
| DERAILLEUR (R) | Shimano XT RDM8100 Shadow+ 12 |
| SHIFTERS | Shimano DEORE M6100 12 |
| SEAT POST | MERIDA EXPERT CC, material: aluminium, 34.9mm diameter, 0mm setback |
| SEAT CLAMP | MERIDA EXPERT |
| SADDLE | MERIDA EXPERT CC, V-mount |
| PEDAL | VP VPE-527 |
| CHAIN | CN-M6100 |

| | |
|-----------------------|---------------------------------------------------------------------------------------|
| CHAINWHEEL | Shimano CRE70-12-B, 36 teeth, Shimano FC6M600 |
| FREEWHEEL | Shimano M6100, 10-51 teeth, 12 speed |
| BOTTOM BRACKET | included |
| RIM | MERIDA COMP CC, 20mm inner width, material: aluminium |
| HUBS | Shimano SLX |
| AXLES | MERIDA EXPERT TR |
| SPOKES | Black stainless |
| TIRES | Maxxis Rekon Race |
| LIGHTS | LEZYNE E-BIKE POWER STVZO E115, reverse MERIDA Custom Mount / USB REAR Light CG-214RG |
| KICKSTAND | CL-KA98, 29" |
| BATTERY LOCK | Abus key |
| DRIVE UNIT | Shimano EP8, 85Nm |
| BATTERY | Shimano E8036 630Wh |
| DISPLAY | Shimano SC-E7000 |



eBIG.NINE 700

GREY/BLACK

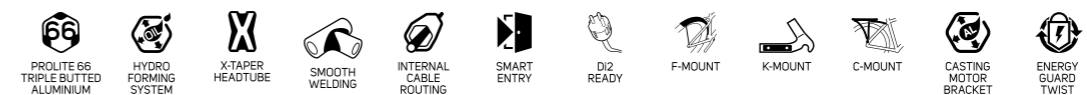
LITE III HFS-hydroforming Prolite 66 triple butted aluminium 29er hardtail frame with integrated battery technology and sporty yet comfortable geometry. 'Smart Entry' cable routing for rattle free running. The casting motor bracket creating an integrated appearance of the motor into the frame as well as provides an extremely strong connection between frame and motor. Comes with integrated fixings for mudguards and side stand. Multiple fixing positions for water bottles and accessories.

| LEISURE | TRAIL | ALL MOUNTAIN | ENDURO |



| | |
|-----------------------|-----------------------------------------------------------------------------------------------------------------------------------------------------------|
| FRAME | eBIG.NINE LITE III, material: aluminium, 29x2.35" without fender max. / 29"x2.25" with fender max. wheelsize, 148x12mm axle standard, intube, max. 630 Wh |
| FRAME SIZE | S, M, L, XL |
| FORK | Suntour RAIDON34 LOR, Air, 100mm suspension travel, Tapered, 51mm fork offset, 29x2.4" max wheelsize |
| BRAKES | Shimano M4100 |
| ROTORS | Shimano RT30 / Shimano RTEM300 |
| HEADSET | MERIDA-8157 |
| HANDLEBAR | MERIDA EXPERT eTR, 760mm width, 20mm rise |
| HANDLEBAR STEM | MERIDA EXPERT eTRII, material: aluminium, 35mm diameter, 0° stem angle, GoPro & Supernova mount, 50 mm all sizes |
| GRIP | MERIDA EXPERT EC |
| DERAILLEUR (R) | Shimano XT RDM8100 Shadow+ 12 |
| SHIFTERS | Shimano DEORE M6100 12 |
| SEAT POST | MERIDA EXPERT CC, material: aluminium, 34.9mm diameter, 0mm setback |
| SEAT CLAMP | MERIDA EXPERT |
| SADDLE | MERIDA EXPERT CC, V-mount |
| PEDAL | VP VPE-527 |
| CHAIN | CN-M6100 |

| | |
|-----------------------|---------------------------------------------------------------------------------------|
| CHAINWHEEL | Shimano CRE70-12-B, 36 teeth, Shimano FC6M600 |
| FREEWHEEL | Shimano M6100, 10-51 teeth, 12 speed |
| BOTTOM BRACKET | included |
| RIM | MERIDA COMP CC, 20mm inner width, material: aluminium |
| HUBS | Shimano SLX |
| AXLES | MERIDA EXPERT TR |
| SPOKES | Black stainless |
| TIRES | Maxxis Rekon Race |
| LIGHTS | LEZYNE E-BIKE POWER STVZO E115, reverse MERIDA Custom Mount / USB REAR Light CG-214RG |
| KICKSTAND | CL-KA98, 29" |
| BATTERY LOCK | Abus key |
| DRIVE UNIT | Shimano EP8, 85Nm |
| BATTERY | Shimano E8036 630Wh |
| DISPLAY | Shimano SC-E7000 |



eBIG.NINE XT-EDITION

GREY/BLACK

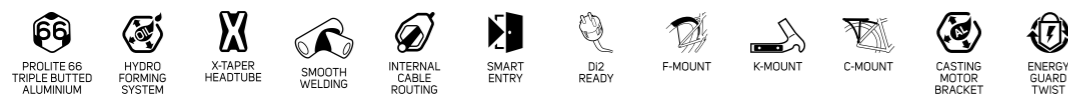
LITE III HFS-hydroforming Prolite 66 triple butted aluminium 29er hardtail frame with integrated battery technology and sporty yet comfortable geometry. 'Smart Entry' cable routing for rattle free running. The casting motor bracket creating an integrated appearance of the motor into the frame as well as provides an extremely strong connection between frame and motor. Comes with integrated fixings for mudguards and side stand. Multiple fixing positions for water bottles and accessories.

| LEISURE | TRAIL | ALL MOUNTAIN | ENDURO |



| | |
|-----------------------|-----------------------------------------------------------------------------------------------------------------------------------------------------------|
| FRAME | eBIG.NINE LITE III, material: aluminium, 29x2.35" without fender max. / 29"x2.25" with fender max. wheelsize, 148x12mm axle standard, intube, max. 630 Wh |
| FRAME SIZE | S, M, L, XL |
| FORK | Rock Shox 35 Silver R, Air, 120mm suspension travel, Tapered, 51mm fork offset, 29x2.8" max wheelsize |
| BRAKES | Shimano SLX |
| ROTORS | Shimano RT64 / Shimano RTEM600 |
| HEADSET | MERIDA-8157 |
| HANDLEBAR | MERIDA EXPERT eTR, 760mm width, 20mm rise |
| HANDLEBAR STEM | MERIDA EXPERT eTRII, material: aluminium, 35mm diameter, 0° stem angle, GoPro & Supernova mount, 50 mm all sizes |
| GRIP | MERIDA EXPERT EC |
| DERAILLEUR (R) | Shimano XT RDM8100 Shadow+ 12 |
| SHIFTERS | Shimano XT M8100 12 |
| SEAT POST | MERIDA EXPERT CC, material: aluminium, 34.9mm diameter, 0mm setback |
| SEAT CLAMP | MERIDA EXPERT |
| SADDLE | MERIDA EXPERT CC, V-mount |
| PEDAL | VP VPE-527 |
| CHAIN | CN-M6100 |

| | |
|-----------------------|-----------------------------------------------------------------------------------------------|
| CHAINWHEEL | Shimano CRE70-12-B, 36 teeth, Shimano FC6M600 |
| FREEWHEEL | Shimano M7100, 10-51 teeth, 12 speed |
| BOTTOM BRACKET | included |
| RIM | MERIDA COMP CC, 20mm inner width, material: aluminium |
| HUBS | Shimano SLX |
| AXLES | MERIDA EXPERT TR |
| SPOKES | Black stainless |
| TIRES | Maxxis Rekon Race |
| LIGHTS | LEZYNE E-BIKE POWER STVZO E115, reverse MERIDA Custom Mount / LEZYNE LED FEMTO USB REAR STVZO |
| KICKSTAND | CL-KA98, 29" |
| BATTERY LOCK | Abus key |
| DRIVE UNIT | Shimano EP8, 85Nm |
| BATTERY | Shimano E8036 630Wh |
| DISPLAY | Shimano SC-E7000 |



eBIG.NINE XT-EDITION

SILK RED/BLACK

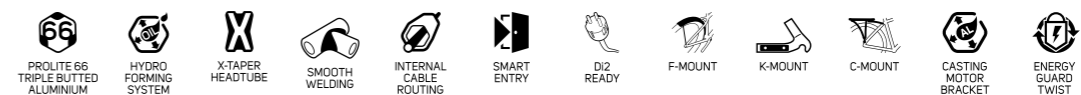
LITE III HFS-hydroforming Prolite 66 triple butted aluminium 29er hardtail frame with integrated battery technology and sporty yet comfortable geometry. 'Smart Entry' cable routing for rattle free running. The casting motor bracket creating an integrated appearance of the motor into the frame as well as provides an extremely strong connection between frame and motor. Comes with integrated fixings for mudguards and side stand. Multiple fixing positions for water bottles and accessories.

| LEISURE | TRAIL | ALL MOUNTAIN | ENDURO |



| | |
|-----------------------|-----------------------------------------------------------------------------------------------------------------------------------------------------------|
| FRAME | eBIG.NINE LITE III, material: aluminium, 29x2.35" without fender max. / 29"x2.25" with fender max. wheelsize, 148x12mm axle standard, intube, max. 630 Wh |
| FRAME SIZE | S, M, L, XL |
| FORK | Rock Shox 35 Silver R, Air, 120mm suspension travel, Tapered, 51mm fork offset, 29x2.8" max wheelsize |
| BRAKES | Shimano SLX |
| ROTORS | Shimano RT64 / Shimano RTEM600 |
| HEADSET | MERIDA-8157 |
| HANDLEBAR | MERIDA EXPERT eTR, 760mm width, 20mm rise |
| HANDLEBAR STEM | MERIDA EXPERT eTRII, material: aluminium, 35mm diameter, 0° stem angle, GoPro & Supernova mount, 50 mm all sizes |
| GRIP | MERIDA EXPERT EC |
| DERAILLEUR (R) | Shimano XT RDM8100 Shadow+ 12 |
| SHIFTERS | Shimano XT M8100 12 |
| SEAT POST | MERIDA EXPERT CC, material: aluminium, 34.9mm diameter, 0mm setback |
| SEAT CLAMP | MERIDA EXPERT |
| SADDLE | MERIDA EXPERT CC, V-mount |
| PEDAL | VP VPE-527 |
| CHAIN | CN-M6100 |

| | |
|-----------------------|-----------------------------------------------------------------------------------------------|
| CHAINWHEEL | Shimano CRE70-12-B, 36 teeth, Shimano FC6M600 |
| FREEWHEEL | Shimano M7100, 10-51 teeth, 12 speed |
| BOTTOM BRACKET | included |
| RIM | MERIDA COMP CC, 20mm inner width, material: aluminium |
| HUBS | Shimano SLX |
| AXLES | MERIDA EXPERT TR |
| SPOKES | Black stainless |
| TIRES | Maxxis Rekon Race |
| LIGHTS | LEZYNE E-BIKE POWER STVZO E115, reverse MERIDA Custom Mount / LEZYNE LED FEMTO USB REAR STVZO |
| KICKSTAND | CL-KA98, 29" |
| BATTERY LOCK | Abus key |
| DRIVE UNIT | Shimano EP8, 85Nm |
| BATTERY | Shimano E8036 630Wh |
| DISPLAY | Shimano SC-E7000 |



eBIG.NINE 600 EQ

GREY/BLACK

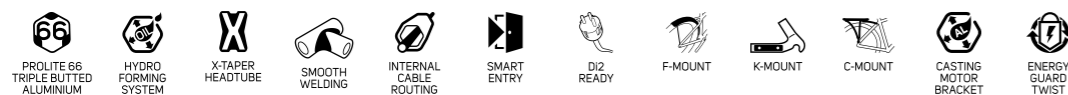
LITE III HFS-hydroforming Prolite 66 triple butted aluminium 29er hardtail frame with integrated battery technology and sporty yet comfortable geometry. 'Smart Entry' cable routing for rattle free running. The casting motor bracket creating an integrated appearance of the motor into the frame as well as provides an extremely strong connection between frame and motor. Comes with integrated fixings for mudguards and side stand. Multiple fixing positions for water bottles and accessories.

| LEISURE | TRAIL | ALL MOUNTAIN | ENDURO |



| | |
|-----------------------|-----------------------------------------------------------------------------------------------------------------------------------------------------------|
| FRAME | eBIG.NINE LITE III, material: aluminium, 29"x2.35" without fender max./ 29"x2.25" with fender max. wheelsize, 148x12mm axle standard, intube, max. 630 Wh |
| FRAME SIZE | S, M, L, XL |
| FORK | Suntour XCR34 LOR DS, Air Boost, 100mm, Tapered, 51mm fork offset, 29x2.4" max wheelsize |
| BRAKES | Shimano M4100 |
| ROTORS | Shimano RT30 / Shimano RTEM300 |
| HEADSET | MERIDA-8155 (for the steerer 1-1/8"-1.5") |
| HANDLEBAR | MERIDA EXPERT CC, material: aluminium, 720mm width, 10mm rise |
| HANDLEBAR STEM | MERIDA EXPERT CT, material: aluminium, 31.8mm diameter, adjustable, 90 mm all sizes |
| GRIP | MERIDA EXPERT TK |
| DERAILLEUR (R) | Shimano Deore RDM5100 11 |
| SHIFTERS | Shimano Deore M5100 11 |
| SEAT POST | MERIDA EXPERT CC, material: aluminium, 34.9mm diameter, 0mm setback |
| SEAT CLAMP | MERIDA EXPERT |
| SADDLE | MERIDA EXPERT TK, V-mount |
| PEDAL | VP VPE-537 |
| CHAIN | HG601-11 |

| | |
|-----------------------|--------------------------------------------------------------------------------|
| CHAINWHEEL | Shimano CRE70-B, 34 teeth, Shimano FCEM600 |
| FREEWHEEL | Shimano M5100, 11-51 teeth, 11 speed |
| BOTTOM BRACKET | included |
| RIM | MERIDA COMP CC, 20mm inner width, material: aluminium |
| HUBS | Shimano MT400-B |
| AXLES | MERIDA EXPERT TR |
| SPOKES | Black stainless |
| TIRES | KENDA Booster |
| LIGHTS | LEZYNE E-BIKE POWER STVZO E115, X-Lock stem mount / Spanninga Commuter GLOW XE |
| CARRIER | MERIDA MA008-1 w/spring clamp + Spanninga GLOW XE |
| FENDER | Sunnywheel SW-FA311-65A/ SW-FA311-65E1 |
| KICKSTAND | CL-KA98, 29" |
| FRAME LOCK | Abus 5650 LH-3 lock |
| BATTERY LOCK | Abus key |
| DRIVE UNIT | Shimano EP8, 85Nm |
| BATTERY | Shimano E8036 630Wh |



eBIG.NINE 600 EQ

SILK BLUE/BLACK

LITE III HFS-hydroforming Prolite 66 triple butted aluminium 29er hardtail frame with integrated battery technology and sporty yet comfortable geometry. 'Smart Entry' cable routing for rattle free running. The casting motor bracket creating an integrated appearance of the motor into the frame as well as provides an extremely strong connection between frame and motor. Comes with integrated fixings for mudguards and side stand. Multiple fixing positions for water bottles and accessories.

| LEISURE | TRAIL | ALL MOUNTAIN | ENDURO |



| | |
|-----------------------|-----------------------------------------------------------------------------------------------------------------------------------------------------------|
| FRAME | eBIG.NINE LITE III, material: aluminium, 29"x2.35" without fender max./ 29"x2.25" with fender max. wheelsize, 148x12mm axle standard, intube, max. 630 Wh |
| FRAME SIZE | S, M, L, XL |
| FORK | Suntour XCR34 LOR DS, Air Boost, 100mm, Tapered, 51mm fork offset, 29x2.4" max wheelsize |
| BRAKES | Shimano M4100 |
| ROTORS | Shimano RT30 / Shimano RTEM300 |
| HEADSET | MERIDA-8155 (for the steerer 1-1/8"-1.5") |
| HANDLEBAR | MERIDA EXPERT CC, material: aluminium, 720mm width, 10mm rise |
| HANDLEBAR STEM | MERIDA EXPERT CT, material: aluminium, 31.8mm diameter, adjustable, 90 mm all sizes |
| GRIP | MERIDA EXPERT TK |
| DERAILLEUR (R) | Shimano Deore RDM5100 11 |
| SHIFTERS | Shimano Deore M5100 11 |
| SEAT POST | MERIDA EXPERT CC, material: aluminium, 34.9mm diameter, 0mm setback |
| SEAT CLAMP | MERIDA EXPERT |
| SADDLE | MERIDA EXPERT TK, V-mount |
| PEDAL | VP VPE-537 |
| CHAIN | HG601-11 |

| | |
|-----------------------|--------------------------------------------------------------------------------|
| CHAINWHEEL | Shimano CRE70-B, 34 teeth, Shimano FCEM600 |
| FREEWHEEL | Shimano M5100, 11-51 teeth, 11 speed |
| BOTTOM BRACKET | included |
| RIM | MERIDA COMP CC, 20mm inner width, material: aluminium |
| HUBS | Shimano MT400-B |
| AXLES | MERIDA EXPERT TR |
| SPOKES | Black stainless |
| TIRES | KENDA Booster |
| LIGHTS | LEZYNE E-BIKE POWER STVZO E115, X-Lock stem mount / Spanninga Commuter GLOW XE |
| CARRIER | MERIDA MA008-1 w/spring clamp + Spanninga GLOW XE |
| FENDER | Sunnywheel SW-FA311-65A/ SW-FA311-65E1 |
| KICKSTAND | CL-KA98, 29" |
| FRAME LOCK | Abus 5650 LH-3 lock |
| BATTERY LOCK | Abus key |
| DRIVE UNIT | Shimano EP8, 85Nm |
| BATTERY | Shimano E8036 630Wh |



eBIG.NINE 600

GREY/BLACK

LITE III HFS-hydroforming Prolite 66 triple butted aluminium 29er hardtail frame with integrated battery technology and sporty yet comfortable geometry. 'Smart Entry' cable routing for rattle free running. The casting motor bracket creating an integrated appearance of the motor into the frame as well as provides an extremely strong connection between frame and motor. Comes with integrated fixings for mudguards and side stand. Multiple fixing positions for water bottles and accessories.

| LEISURE | TRAIL | ALL MOUNTAIN | ENDURO |



| | |
|-----------------------|-----------------------------------------------------------------------------------------------------------------------------------------------------------|
| FRAME | eBIG.NINE LITE III, material: aluminium, 29x2.35" without fender max. / 29"x2.25" with fender max. wheelsize, 148x12mm axle standard, intube, max. 630 Wh |
| FRAME SIZE | S, M, L, XL |
| FORK | Suntour XCR34 LOR DS, Air Boost, 100mm, Tapered, 51mm fork offset, 29x2.4" max wheelsize |
| BRAKES | Shimano M4100 |
| ROTORS | Shimano RT30 / Shimano RTEM300 |
| HEADSET | MERIDA-8157 |
| HANDLEBAR | MERIDA EXPERT eTR, 760mm width, 20mm rise |
| HANDLEBAR STEM | MERIDA EXPERT eTRII, material: aluminium, 35mm diameter, 0° stem angle, GoPro & Supernova mount, 50 mm all sizes |
| GRIP | MERIDA EXPERT EC |
| DERAILLEUR (R) | Shimano Deore RDMS100 11 |
| SHIFTERS | Shimano Deore M5100 11 |
| SEAT POST | MERIDA EXPERT CC, material: aluminium, 34.9mm diameter, 0mm setback |
| SEAT CLAMP | MERIDA EXPERT |
| SADDLE | MERIDA COMP CC, V-mount |
| PEDAL | VP VPE-537 |
| CHAIN | HG601-11 |

| | |
|-----------------------|---------------------------------------------------------------------------------------|
| CHAINWHEEL | Shimano CRE70-B, 34 teeth, Shimano FCEM600 |
| FREEWHEEL | Shimano M5100, 11-51 teeth, 11 speed |
| BOTTOM BRACKET | included |
| RIM | MERIDA COMP CC, 20mm inner width, material: aluminium |
| HUBS | Shimano MT400-B |
| AXLES | MERIDA EXPERT TR |
| SPOKES | Black stainless |
| TIRES | Maxxis Ikon |
| LIGHTS | LEZYNE E-BIKE POWER STVZO E115, reverse MERIDA Custom Mount / USB REAR Light CG-214RG |
| KICKSTAND | CL-KA98, 29" |
| BATTERY LOCK | Abus key |
| DRIVE UNIT | Shimano EP8, 85Nm |
| BATTERY | Shimano E8036 630Wh |
| DISPLAY | Shimano SC-E5003 |



eBIG.NINE 600

SILK BLUE/BLACK

LITE III HFS-hydroforming Prolite 66 triple butted aluminium 29er hardtail frame with integrated battery technology and sporty yet comfortable geometry. 'Smart Entry' cable routing for rattle free running. The casting motor bracket creating an integrated appearance of the motor into the frame as well as provides an extremely strong connection between frame and motor. Comes with integrated fixings for mudguards and side stand. Multiple fixing positions for water bottles and accessories.

| LEISURE | TRAIL | ALL MOUNTAIN | ENDURO |



| | |
|-----------------------|-----------------------------------------------------------------------------------------------------------------------------------------------------------|
| FRAME | eBIG.NINE LITE III, material: aluminium, 29x2.35" without fender max. / 29"x2.25" with fender max. wheelsize, 148x12mm axle standard, intube, max. 630 Wh |
| FRAME SIZE | S, M, L, XL |
| FORK | Suntour XCR34 LOR DS, Air Boost, 100mm, Tapered, 51mm fork offset, 29x2.4" max wheelsize |
| BRAKES | Shimano M4100 |
| ROTORS | Shimano RT30 / Shimano RTEM300 |
| HEADSET | MERIDA-8157 |
| HANDLEBAR | MERIDA EXPERT eTR, 760mm width, 20mm rise |
| HANDLEBAR STEM | MERIDA EXPERT eTRII, material: aluminium, 35mm diameter, 0° stem angle, GoPro & Supernova mount, 50 mm all sizes |
| GRIP | MERIDA EXPERT EC |
| DERAILLEUR (R) | Shimano Deore RDMS100 11 |
| SHIFTERS | Shimano Deore M5100 11 |
| SEAT POST | MERIDA EXPERT CC, material: aluminium, 34.9mm diameter, 0mm setback |
| SEAT CLAMP | MERIDA EXPERT |
| SADDLE | MERIDA COMP CC, V-mount |
| PEDAL | VP VPE-537 |
| CHAIN | HG601-11 |

| | |
|-----------------------|---------------------------------------------------------------------------------------|
| CHAINWHEEL | Shimano CRE70-B, 34 teeth, Shimano FCEM600 |
| FREEWHEEL | Shimano M5100, 11-51 teeth, 11 speed |
| BOTTOM BRACKET | included |
| RIM | MERIDA COMP CC, 20mm inner width, material: aluminium |
| HUBS | Shimano MT400-B |
| AXLES | MERIDA EXPERT TR |
| SPOKES | Black stainless |
| TIRES | Maxxis Ikon |
| LIGHTS | LEZYNE E-BIKE POWER STVZO E115, reverse MERIDA Custom Mount / USB REAR Light CG-214RG |
| KICKSTAND | CL-KA98, 29" |
| BATTERY LOCK | Abus key |
| DRIVE UNIT | Shimano EP8, 85Nm |
| BATTERY | Shimano E8036 630Wh |
| DISPLAY | Shimano SC-E5003 |





eBIG.NINE 400 EQ

COOL GREY (MATT BLACK)

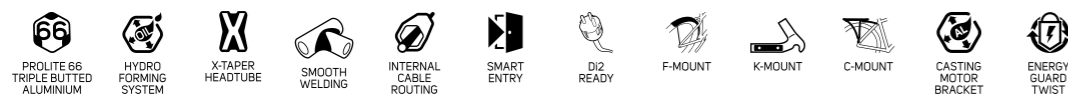
LITE III HFS-hydroforming Prolite 66 triple butted aluminium 29er hardtail frame with integrated battery technology and sporty yet comfortable geometry. 'Smart Entry' cable routing for rattle free running. The casting motor bracket creating an integrated appearance of the motor into the frame as well as provides an extremely strong connection between frame and motor. Comes with integrated fixings for mudguards and side stand. Multiple fixing positions for water bottles and accessories.

| LEISURE | TRAIL | ALL MOUNTAIN | ENDURO |



| | |
|-----------------------|----------------------------------------------------------------------------------------------------------------------------------------------------------|
| FRAME | eBIG.NINE LITE III, material: aluminium, 29x2.35" without fender max./ 29"x2.25" with fender max. wheelsize, 148x12mm axle standard, intube, max. 630 Wh |
| FRAME SIZE | S, M, L, XL |
| FORK | Suntour XCM34-Boost LOR DS, 100mm, Tapered, 51mm fork offset, 29x2.4" max wheelsize |
| BRAKES | Shimano MT-200 |
| ROTORS | Shimano RT30 / Shimano RTEM300 |
| HEADSET | MERIDA-8155 (for the steerer 1-1/8"-1.5") |
| HANDLEBAR | MERIDA EXPERT CC, material: aluminium, 720mm width, 10mm rise |
| HANDLEBAR STEM | MERIDA EXPERT CT, material: aluminium, 31.8mm diameter, adjustable, 90 mm all sizes |
| GRIP | MERIDA EXPERT TK |
| DERAILLEUR (R) | Shimano Deore M5120, SGS |
| SHIFTERS | Shimano Deore M4100 |
| SEAT POST | MERIDA EXPERT CC, material: aluminium, 34.9mm diameter, 0mm setback |
| SEAT CLAMP | MERIDA EXPERT |
| SADDLE | MERIDA EXPERT TK, V-mount |
| PEDAL | VP VPE-537 |
| CHAIN | CNHG54 |

| | |
|-----------------------|-------------------------------------------------------------------------------|
| CHAINWHEEL | Shimano CRE70-B, 34 teeth, Shimano FCEM600 |
| FREEWHEEL | Shimano M4100, 11-46 teeth, 10 speed |
| BOTTOM BRACKET | included |
| RIM | MERIDA COMP CC, 20mm inner width, material: aluminium |
| HUBS | Shimano MT400-B |
| AXLES | MERIDA COMP TR |
| SPOKES | Black stainless |
| TIRES | KENDA Booster |
| LIGHTS | LEZYNE E-BIKE HECTO STVZO E65, X-Lock stem mount / Spanninga Commuter GLOW XE |
| CARRIER | MERIDA MA008-1 w/spring clamp + Spanninga GLOW XE |
| FENDER | Sunnywheel SW-FA311-65A/ SW-FA311-65E1 |
| KICKSTAND | CL-KA98, 29" |
| FRAME LOCK | Abus 5650 LH-3 lock |
| BATTERY LOCK | Abus key |
| DRIVE UNIT | Shimano EP8, 85Nm |
| BATTERY | Shimano E8036 630Wh |



eBIG.NINE 400 EQ

TEAL-BLUE (LIME)

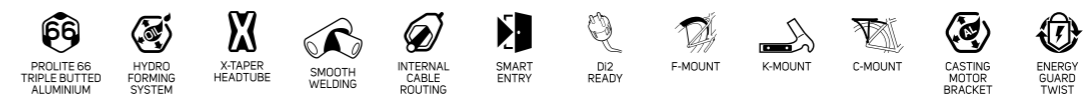
LITE III HFS-hydroforming Prolite 66 triple butted aluminium 29er hardtail frame with integrated battery technology and sporty yet comfortable geometry. 'Smart Entry' cable routing for rattle free running. The casting motor bracket creating an integrated appearance of the motor into the frame as well as provides an extremely strong connection between frame and motor. Comes with integrated fixings for mudguards and side stand. Multiple fixing positions for water bottles and accessories.

| LEISURE | TRAIL | ALL MOUNTAIN | ENDURO |



| | |
|-----------------------|----------------------------------------------------------------------------------------------------------------------------------------------------------|
| FRAME | eBIG.NINE LITE III, material: aluminium, 29x2.35" without fender max./ 29"x2.25" with fender max. wheelsize, 148x12mm axle standard, intube, max. 630 Wh |
| FRAME SIZE | S, M, L, XL |
| FORK | Suntour XCM34-Boost LOR DS, 100mm, Tapered, 51mm fork offset, 29x2.4" max wheelsize |
| BRAKES | Shimano MT-200 |
| ROTORS | Shimano RT30 / Shimano RTEM300 |
| HEADSET | MERIDA-8155 (for the steerer 1-1/8"-1.5") |
| HANDLEBAR | MERIDA EXPERT CC, material: aluminium, 720mm width, 10mm rise |
| HANDLEBAR STEM | MERIDA EXPERT CT, material: aluminium, 31.8mm diameter, adjustable, 90 mm all sizes |
| GRIP | MERIDA EXPERT TK |
| DERAILLEUR (R) | Shimano Deore M5120, SGS |
| SHIFTERS | Shimano Deore M4100 |
| SEAT POST | MERIDA EXPERT CC, material: aluminium, 34.9mm diameter, 0mm setback |
| SEAT CLAMP | MERIDA EXPERT |
| SADDLE | MERIDA EXPERT TK, V-mount |
| PEDAL | VP VPE-537 |
| CHAIN | CNHG54 |

| | |
|-----------------------|-------------------------------------------------------------------------------|
| CHAINWHEEL | Shimano CRE70-B, 34 teeth, Shimano FCEM600 |
| FREEWHEEL | Shimano M4100, 11-46 teeth, 10 speed |
| BOTTOM BRACKET | included |
| RIM | MERIDA COMP CC, 20mm inner width, material: aluminium |
| HUBS | Shimano MT400-B |
| AXLES | MERIDA COMP TR |
| SPOKES | Black stainless |
| TIRES | KENDA Booster |
| LIGHTS | LEZYNE E-BIKE HECTO STVZO E65, X-Lock stem mount / Spanninga Commuter GLOW XE |
| CARRIER | MERIDA MA008-1 w/spring clamp + Spanninga GLOW XE |
| FENDER | Sunnywheel SW-FA311-65A/ SW-FA311-65E1 |
| KICKSTAND | CL-KA98, 29" |
| FRAME LOCK | Abus 5650 LH-3 lock |
| BATTERY LOCK | Abus key |
| DRIVE UNIT | Shimano EP8, 85Nm |
| BATTERY | Shimano E8036 630Wh |



eBIG.NINE 400 EQ

SILK SAND (BLACK)

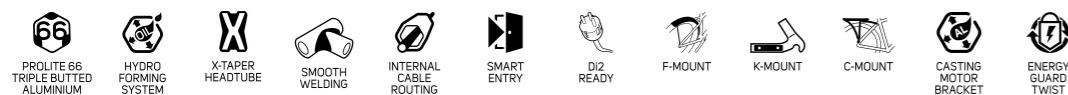
LITE III HFS-hydroforming Prolite 66 triple butted aluminium 29er hardtail frame with integrated battery technology and sporty yet comfortable geometry. 'Smart Entry' cable routing for rattle free running. The casting motor bracket creating an integrated appearance of the motor into the frame as well as provides an extremely strong connection between frame and motor. Comes with integrated fixings for mudguards and side stand. Multiple fixing positions for water bottles and accessories.

| LEISURE | TRAIL | ALL MOUNTAIN | ENDURO |



| | |
|-----------------------|----------------------------------------------------------------------------------------------------------------------------------------------------------|
| FRAME | eBIG.NINE LITE III, material: aluminium, 29x2.35" without fender max./ 29"x2.25" with fender max. wheelsize, 148x12mm axle standard, intube, max. 630 Wh |
| FRAME SIZE | S, M, L, XL |
| FORK | Suntour XCM34-Boost LOR DS, 100mm, Tapered, 51mm fork offset, 29x2.4" max wheelsize |
| BRAKES | Shimano MT-200 |
| ROTORS | Shimano RT30 / Shimano RTE300 |
| HEADSET | MERIDA-8155 (for the steerer 1-1/8"-1.5") |
| HANDLEBAR | MERIDA EXPERT CC, material: aluminium, 720mm width, 10mm rise |
| HANDLEBAR STEM | MERIDA EXPERT CT, material: aluminium, 31.8mm diameter, adjustable, 90 mm all sizes |
| GRIP | MERIDA EXPERT TK |
| DERAILLEUR (R) | Shimano Deore M5120, SGS |
| SHIFTERS | Shimano Deore M4100 |
| SEAT POST | MERIDA EXPERT CC, material: aluminium, 34.9mm diameter, 0mm setback |
| SEAT CLAMP | MERIDA EXPERT |
| SADDLE | MERIDA EXPERT TK, V-mount |
| PEDAL | VP VPE-537 |
| CHAIN | CNHG54 |

| | |
|-----------------------|-------------------------------------------------------------------------------|
| CHAINWHEEL | Shimano CRE70-B, 34 teeth, Shimano FCEM600 |
| FREEWHEEL | Shimano M4100, 11-46 teeth, 10 speed |
| BOTTOM BRACKET | included |
| RIM | MERIDA COMP CC, 20mm inner width, material: aluminium |
| HUBS | Shimano MT400-B |
| AXLES | MERIDA COMP TR |
| SPOKES | Black stainless |
| TIRES | KENDA Booster |
| LIGHTS | LEZYNE E-BIKE HECTO STVZO E65, X-Lock stem mount / Spanninga Commuter GLOW XE |
| CARRIER | MERIDA MA008-1 w/spring clamp + Spanninga GLOW XE |
| FENDER | Sunnywheel SW-FA311-65A/ SW-FA311-65E1 |
| KICKSTAND | CL-KA98, 29" |
| FRAME LOCK | Abus 5650 LH-3 lock |
| BATTERY LOCK | Abus key |
| DRIVE UNIT | Shimano EP8, 85Nm |
| BATTERY | Shimano E8036 630Wh |



eBIG.NINE 400

COOL GREY (MATT BLACK)

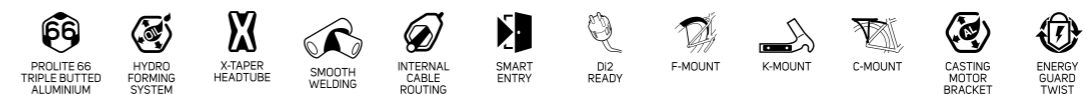
LITE III HFS-hydroforming Prolite 66 triple butted aluminium 29er hardtail frame with integrated battery technology and sporty yet comfortable geometry. 'Smart Entry' cable routing for rattle free running. The casting motor bracket creating an integrated appearance of the motor into the frame as well as provides an extremely strong connection between frame and motor. Comes with integrated fixings for mudguards and side stand. Multiple fixing positions for water bottles and accessories.

| LEISURE | TRAIL | ALL MOUNTAIN | ENDURO |



| | |
|-----------------------|----------------------------------------------------------------------------------------------------------------------------------------------------------|
| FRAME | eBIG.NINE LITE III, material: aluminium, 29x2.35" without fender max./ 29"x2.25" with fender max. wheelsize, 148x12mm axle standard, intube, max. 630 Wh |
| FRAME SIZE | S, M, L, XL |
| FORK | Suntour XCM34-Boost LOR DS, 100mm, Tapered, 51mm fork offset, 29x2.4" max wheelsize |
| BRAKES | Shimano MT-200 |
| ROTORS | Shimano RT30 / Shimano RTE300 |
| HEADSET | MERIDA-8157 |
| HANDLEBAR | MERIDA EXPERT eTR, 760mm width, 20mm rise |
| HANDLEBAR STEM | MERIDA EXPERT eTRII, material: aluminium, 35mm diameter, 0° stem angle, GoPro & Supernova mount, 50 mm all sizes |
| GRIP | MERIDA EXPERT EC |
| DERAILLEUR (R) | Shimano Deore M5120, SGS |
| SHIFTERS | Shimano Deore M4100 |
| SEAT POST | MERIDA EXPERT CC, material: aluminium, 34.9mm diameter, 0mm setback |
| SEAT CLAMP | MERIDA EXPERT |
| SADDLE | MERIDA COMP CC, V-mount |
| PEDAL | VP VPE-537 |
| CHAIN | CNHG54 |

| | |
|-----------------------|-------------------------------------------------------|
| CHAINWHEEL | Shimano CRE70-B, 34 teeth, Shimano FCEM600 |
| FREEWHEEL | Shimano M4100, 11-46 teeth, 10 speed |
| BOTTOM BRACKET | included |
| RIM | MERIDA COMP CC, 20mm inner width, material: aluminium |
| HUBS | Shimano MT400-B |
| AXLES | MERIDA COMP TR |
| SPOKES | Black stainless |
| TIRES | Maxxis Ikon |
| LIGHTS | CG-119PG-BLACK(1) / CG-404RG-BLK |
| KICKSTAND | CL-KA98, 29" |
| BATTERY LOCK | Abus key |
| DRIVE UNIT | Shimano EP8, 85Nm |
| BATTERY | Shimano E8036 630Wh |
| DISPLAY | Shimano SC-E5003 |



eBIG.NINE 400

TEAL-BLUE (LIME)

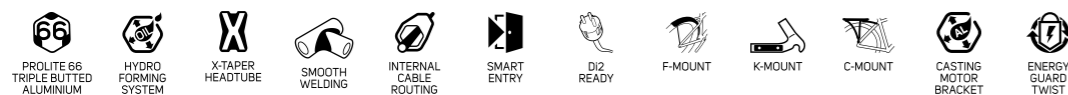
LITE III HFS-hydroforming Prolite 66 triple butted aluminium 29er hardtail frame with integrated battery technology and sporty yet comfortable geometry. 'Smart Entry' cable routing for rattle free running. The casting motor bracket creating an integrated appearance of the motor into the frame as well as provides an extremely strong connection between frame and motor. Comes with integrated fixings for mudguards and side stand. Multiple fixing positions for water bottles and accessories.

| LEISURE | TRAIL | ALL MOUNTAIN | ENDURO |



| | |
|-----------------------|-----------------------------------------------------------------------------------------------------------------------------------------------------------|
| FRAME | eBIG.NINE LITE III, material: aluminium, 29x2.35" without fender max. / 29"x2.25" with fender max. wheelsize, 148x12mm axle standard, intube, max. 630 Wh |
| FRAME SIZE | S, M, L, XL |
| FORK | Suntour XCM34-Boost LOR DS, 100mm, Tapered, 51mm fork offset, 29x2.4" max wheelsize |
| BRAKES | Shimano MT-200 |
| ROTORS | Shimano RT30 / Shimano RTEM300 |
| HEADSET | MERIDA-8157 |
| HANDLEBAR | MERIDA EXPERT eTR, 760mm width, 20mm rise |
| HANDLEBAR STEM | MERIDA EXPERT eTRII, material: aluminium, 35mm diameter, 0° stem angle, GoPro & Supernova mount, 50 mm all sizes |
| GRIP | MERIDA EXPERT EC |
| DERAILLEUR (R) | Shimano Deore M5120, SGS |
| SHIFTERS | Shimano Deore M4100 |
| SEAT POST | MERIDA EXPERT CC, material: aluminium, 34.9mm diameter, 0mm setback |
| SEAT CLAMP | MERIDA EXPERT |
| SADDLE | MERIDA COMP CC, V-mount |
| PEDAL | VP VPE-537 |
| CHAIN | CNHG54 |

| | |
|-----------------------|-------------------------------------------------------|
| CHAINWHEEL | Shimano CRE70-B, 34 teeth, Shimano FC6M600 |
| FREEWHEEL | Shimano M4100, 11-46 teeth, 10 speed |
| BOTTOM BRACKET | included |
| RIM | MERIDA COMP CC, 20mm inner width, material: aluminium |
| HUBS | Shimano MT400-B |
| AXLES | MERIDA COMP TR |
| SPOKES | Black stainless |
| TIRES | Maxxis Ikon |
| LIGHTS | CG-119PG-BLACK(1) / CG-404RG-BLK |
| KICKSTAND | CL-KA98, 29" |
| BATTERY LOCK | Abus key |
| DRIVE UNIT | Shimano EP8, 85Nm |
| BATTERY | Shimano E8036 630Wh |
| DISPLAY | Shimano SC-E5003 |



eBIG.NINE 400

SILK SAND (BLACK)

LITE III HFS-hydroforming Prolite 66 triple butted aluminium 29er hardtail frame with integrated battery technology and sporty yet comfortable geometry. 'Smart Entry' cable routing for rattle free running. The casting motor bracket creating an integrated appearance of the motor into the frame as well as provides an extremely strong connection between frame and motor. Comes with integrated fixings for mudguards and side stand. Multiple fixing positions for water bottles and accessories.

| LEISURE | TRAIL | ALL MOUNTAIN | ENDURO |



| | |
|-----------------------|-----------------------------------------------------------------------------------------------------------------------------------------------------------|
| FRAME | eBIG.NINE LITE III, material: aluminium, 29x2.35" without fender max. / 29"x2.25" with fender max. wheelsize, 148x12mm axle standard, intube, max. 630 Wh |
| FRAME SIZE | S, M, L, XL |
| FORK | Suntour XCM34-Boost LOR DS, 100mm, Tapered, 51mm fork offset, 29x2.4" max wheelsize |
| BRAKES | Shimano MT-200 |
| ROTORS | Shimano RT30 / Shimano RTEM300 |
| HEADSET | MERIDA-8157 |
| HANDLEBAR | MERIDA EXPERT eTR, 760mm width, 20mm rise |
| HANDLEBAR STEM | MERIDA EXPERT eTRII, material: aluminium, 35mm diameter, 0° stem angle, GoPro & Supernova mount, 50 mm all sizes |
| GRIP | MERIDA EXPERT EC |
| DERAILLEUR (R) | Shimano Deore M5120, SGS |
| SHIFTERS | Shimano Deore M4100 |
| SEAT POST | MERIDA EXPERT CC, material: aluminium, 34.9mm diameter, 0mm setback |
| SEAT CLAMP | MERIDA EXPERT |
| SADDLE | MERIDA COMP CC, V-mount |
| PEDAL | VP VPE-537 |
| CHAIN | CNHG54 |

| | |
|-----------------------|-------------------------------------------------------|
| CHAINWHEEL | Shimano CRE70-B, 34 teeth, Shimano FC6M600 |
| FREEWHEEL | Shimano M4100, 11-46 teeth, 10 speed |
| BOTTOM BRACKET | included |
| RIM | MERIDA COMP CC, 20mm inner width, material: aluminium |
| HUBS | Shimano MT400-B |
| AXLES | MERIDA COMP TR |
| SPOKES | Black stainless |
| TIRES | Maxxis Ikon |
| LIGHTS | CG-119PG-BLACK(1) / CG-404RG-BLK |
| KICKSTAND | CL-KA98, 29" |
| BATTERY LOCK | Abus key |
| DRIVE UNIT | Shimano EP8, 85Nm |
| BATTERY | Shimano E8036 630Wh |
| DISPLAY | Shimano SC-E5003 |



eBIG.NINE 300 SE EQ

MATT BLACK (ANTHRACITE)

LITE HFS-hydroforming Prolite 66 triple butted aluminium 29er hardtail frame with sporty yet comfortable geometry. 'Smart Entry' cable routing for rattle free running. The frame features a semi-integrated battery. The casting motor bracket creates an integrated appearance of the motor into the frame as well as provides an extremely strong connection between frame and motor. Comes with integrated fixings for mudguards and side stand.

| LEISURE | TRAIL | ALL MOUNTAIN | ENDURO |



| | |
|-----------------------|-------------------------------------------------------------------------------------------------------------|
| FRAME | eBIG.NINE LITE, material: aluminium, 29x2.25" max. wheelsize, 148x12mm axle standard, external, max. 504 Wh |
| FRAME SIZE | M, L, XL |
| FORK | Suntour XCM32 DS, Coil, 100mm, Tapered, 47mm fork offset, 29x2.4" max wheelsize |
| BRAKES | Shimano MT-200 |
| ROTORS | Shimano RT10 |
| HEADSET | Merida 2341 Neck |
| HANDLEBAR | MERIDA EXPERT CC, material: aluminium, 720mm width, 10mm rise |
| HANDLEBAR STEM | MERIDA EXPERT CT, material: aluminium, 31.8mm diameter, adjustable, 90 mm all sizes |
| GRIP | MERIDA EXPERT TK |
| DERAILLEUR (R) | Shimano Deore RDM592 9 |
| SHIFTERS | Shimano Alivio M3100 9 |
| SEAT POST | MERIDA EXPERT, material: aluminium, 30.9mm diameter, 0mm setback |
| SEAT CLAMP | MERIDA EXPERT clamp |
| SADDLE | MERIDA EXPERT TK, V-mount |
| PEDAL | VP VPE-537 |
| CHAIN | HG53 |

| | |
|-----------------------|---------------------------------------------------------------------------------------|
| CHAINWHEEL | Shimano CRE70-B, 34 teeth, Shimano SM-DUE11 |
| FREEWHEEL | Shimano HG200, 11-36 teeth, 9 speed |
| BOTTOM BRACKET | included |
| RIM | MERIDA COMP CC, 20mm inner width, material: aluminium |
| HUBS | Shimano MT400 / Shimano MT400-B |
| AXLES | MERIDA COMP TR |
| SPOKES | Black stainless |
| TIRES | KENDA Saber |
| LIGHTS | LEZYNE E-BIKE HECTO STVZO E65, X-Lock stem mount / Herrmans H-Trace E-Bike Rear light |
| CARRIER | YA-355B |
| FENDER | Sunnywheel SW-FA 513 |
| KICKSTAND | CL-KA98, 29" |
| BATTERY LOCK | Abus key |
| DRIVE UNIT | Shimano E7000, 60Nm |
| BATTERY | Shimano E8010 504Wh |
| DISPLAY | Shimano SC-E5000 |



eBIG.NINE 300 SE EQ

SILK BRONZE (BLACK)

LITE HFS-hydroforming Prolite 66 triple butted aluminium 29er hardtail frame with sporty yet comfortable geometry. 'Smart Entry' cable routing for rattle free running. The frame features a semi-integrated battery. The casting motor bracket creates an integrated appearance of the motor into the frame as well as provides an extremely strong connection between frame and motor. Comes with integrated fixings for mudguards and side stand.

| LEISURE | TRAIL | ALL MOUNTAIN | ENDURO |



| | |
|-----------------------|-------------------------------------------------------------------------------------------------------------|
| FRAME | eBIG.NINE LITE, material: aluminium, 29x2.25" max. wheelsize, 148x12mm axle standard, external, max. 504 Wh |
| FRAME SIZE | M, L, XL |
| FORK | Suntour XCM32 DS, Coil, 100mm, Tapered, 47mm fork offset, 29x2.4" max wheelsize |
| BRAKES | Shimano MT-200 |
| ROTORS | Shimano RT10 |
| HEADSET | Merida 2341 Neck |
| HANDLEBAR | MERIDA EXPERT CC, material: aluminium, 720mm width, 10mm rise |
| HANDLEBAR STEM | MERIDA EXPERT CT, material: aluminium, 31.8mm diameter, adjustable, 90 mm all sizes |
| GRIP | MERIDA EXPERT TK |
| DERAILLEUR (R) | Shimano Deore RDM592 9 |
| SHIFTERS | Shimano Alivio M3100 9 |
| SEAT POST | MERIDA EXPERT, material: aluminium, 30.9mm diameter, 0mm setback |
| SEAT CLAMP | MERIDA EXPERT clamp |
| SADDLE | MERIDA EXPERT TK, V-mount |
| PEDAL | VP VPE-537 |
| CHAIN | HG53 |

| | |
|-----------------------|---------------------------------------------------------------------------------------|
| CHAINWHEEL | Shimano CRE70-B, 34 teeth, Shimano SM-DUE11 |
| FREEWHEEL | Shimano HG200, 11-36 teeth, 9 speed |
| BOTTOM BRACKET | included |
| RIM | MERIDA COMP CC, 20mm inner width, material: aluminium |
| HUBS | Shimano MT400 / Shimano MT400-B |
| AXLES | MERIDA COMP TR |
| SPOKES | Black stainless |
| TIRES | KENDA Saber |
| LIGHTS | LEZYNE E-BIKE HECTO STVZO E65, X-Lock stem mount / Herrmans H-Trace E-Bike Rear light |
| CARRIER | YA-355B |
| FENDER | Sunnywheel SW-FA 513 |
| KICKSTAND | CL-KA98, 29" |
| BATTERY LOCK | Abus key |
| DRIVE UNIT | Shimano E7000, 60Nm |
| BATTERY | Shimano E8010 504Wh |
| DISPLAY | Shimano SC-E5000 |



eBIG.NINE 300 SE

MATT BLACK (ANTHRACITE)

LITE HFS-hydroforming Prolite 66 triple butted aluminium 29er hardtail frame with sporty yet comfortable geometry. 'Smart Entry' cable routing for rattle free running. The frame features a semi-integrated battery. The casting motor bracket creates an integrated appearance of the motor into the frame as well as provides an extremely strong connection between frame and motor. Comes with integrated fixings for mudguards and side stand.

| LEISURE | TRAIL | ALL MOUNTAIN | ENDURO |



| | |
|-----------------------|-------------------------------------------------------------------------------------------------------------|
| FRAME | eBIG.NINE LITE, material: aluminium, 29x2.25" max. wheelsize, 148x12mm axle standard, external, max. 504 Wh |
| FRAME SIZE | M, L, XL |
| FORK | Suntour XCM32 DS, Coil, 100mm, Tapered, 47mm fork offset, 29x2.4" max wheelsize |
| BRAKES | Shimano MT-200 |
| ROTORS | Shimano RT10 |
| HEADSET | Merida 2341 Neck |
| HANDLEBAR | MERIDA EXPERT CC, material: aluminium, 720mm width, 10mm rise |
| HANDLEBAR STEM | MERIDA EXPERT CC, material: aluminium, 31.8mm diameter, 6° stem angle, 80 mm-M, 90 mm-L, 100 mm-XL |
| GRIP | MERIDA EXPERT EC |
| DERAILLEUR (R) | Shimano Deore RDM592 9 |
| SHIFTERS | Shimano Alivio M3100 9 |
| SEAT POST | MERIDA EXPERT, material: aluminium, 30.9mm diameter, 15mm setback |
| SEAT CLAMP | MERIDA EXPERT clamp |
| SADDLE | MERIDA COMP CC, V-mount |
| PEDAL | VP VPE-537 |
| CHAIN | HG53 |

| | |
|-----------------------|-------------------------------------------------------|
| CHAINWHEEL | Shimano CRE70-B, 34 teeth, Shimano FC-E8000 |
| FREEWHEEL | Shimano HG200, 11-36 teeth, 9 speed |
| BOTTOM BRACKET | included |
| RIM | MERIDA COMP CC, 20mm inner width, material: aluminium |
| HUBS | Shimano MT400 / Shimano MT400-B |
| AXLES | MERIDA COMP TR |
| SPOKES | Black stainless |
| TIRES | Maxxis Ikon |
| LIGHTS | CG-119PG-BLACK(1) / CG-404RG-BLK |
| KICKSTAND | CL-KA98, 29" |
| BATTERY LOCK | Abus key |
| DRIVE UNIT | Shimano E7000, 60Nm |
| BATTERY | Shimano E8010 504Wh |
| DISPLAY | Shimano SC-E5000 |



eBIG.NINE 300 SE

SILK BRONZE (BLACK)

LITE HFS-hydroforming Prolite 66 triple butted aluminium 29er hardtail frame with sporty yet comfortable geometry. 'Smart Entry' cable routing for rattle free running. The frame features a semi-integrated battery. The casting motor bracket creates an integrated appearance of the motor into the frame as well as provides an extremely strong connection between frame and motor. Comes with integrated fixings for mudguards and side stand.

| LEISURE | TRAIL | ALL MOUNTAIN | ENDURO |



| | |
|-----------------------|-------------------------------------------------------------------------------------------------------------|
| FRAME | eBIG.NINE LITE, material: aluminium, 29x2.25" max. wheelsize, 148x12mm axle standard, external, max. 504 Wh |
| FRAME SIZE | M, L, XL |
| FORK | Suntour XCM32 DS, Coil, 100mm, Tapered, 47mm fork offset, 29x2.4" max wheelsize |
| BRAKES | Shimano MT-200 |
| ROTORS | Shimano RT10 |
| HEADSET | Merida 2341 Neck |
| HANDLEBAR | MERIDA EXPERT CC, material: aluminium, 720mm width, 10mm rise |
| HANDLEBAR STEM | MERIDA EXPERT CC, material: aluminium, 31.8mm diameter, 6° stem angle, 80 mm-M, 90 mm-L, 100 mm-XL |
| GRIP | MERIDA EXPERT EC |
| DERAILLEUR (R) | Shimano Deore RDM592 9 |
| SHIFTERS | Shimano Alivio M3100 9 |
| SEAT POST | MERIDA EXPERT, material: aluminium, 30.9mm diameter, 15mm setback |
| SEAT CLAMP | MERIDA EXPERT clamp |
| SADDLE | MERIDA COMP CC, V-mount |
| PEDAL | VP VPE-537 |
| CHAIN | HG53 |

| | |
|-----------------------|-------------------------------------------------------|
| CHAINWHEEL | Shimano CRE70-B, 34 teeth, Shimano FC-E8000 |
| FREEWHEEL | Shimano HG200, 11-36 teeth, 9 speed |
| BOTTOM BRACKET | included |
| RIM | MERIDA COMP CC, 20mm inner width, material: aluminium |
| HUBS | Shimano MT400 / Shimano MT400-B |
| AXLES | MERIDA COMP TR |
| SPOKES | Black stainless |
| TIRES | Maxxis Ikon |
| LIGHTS | CG-119PG-BLACK(1) / CG-404RG-BLK |
| KICKSTAND | CL-KA98, 29" |
| BATTERY LOCK | Abus key |
| DRIVE UNIT | Shimano E7000, 60Nm |
| BATTERY | Shimano E8010 504Wh |
| DISPLAY | Shimano SC-E5000 |



eBIG.SEVEN 300 SE

SILK BRONZE (BLACK)

LITE HFS-hydroforming Prolite 66 triple butted aluminium 29er hardtail frame with sporty yet comfortable geometry. 'Smart Entry' cable routing for rattle free running. The frame features a semi-integrated battery. The casting motor bracket creates an integrated appearance of the motor into the frame as well as provides an extremely strong connection between frame and motor. Comes with integrated fixings for mudguards and side stand.

| LEISURE | TRAIL | ALL MOUNTAIN | ENDURO |



| | |
|-----------------------|----------------------------------------------------------------------------------------------------------------|
| FRAME | eBIG.SEVEN LITE, material: aluminium, 27.5x2.25" max. wheelsize, 148x12mm axle standard, external, max. 504 Wh |
| FRAME SIZE | XS, S, M |
| FORK | Suntour XCM32 DS, Coil, 100mm, Tapered, 47mm fork offset, 27.5x2.2" max wheelsize |
| BRAKES | Shimano MT-200 |
| ROTORS | Shimano RT10 |
| HEADSET | Merida 2341 Neck |
| HANDLEBAR | MERIDA EXPERT CC, 720mm width, 10mm rise |
| HANDLEBAR STEM | MERIDA EXPERT CC, 31,8mm diameter, 6° stem angle, 70 mm-S, 80 mm-M |
| GRIP | MERIDA EXPERT EC |
| DERAILLEUR (R) | Shimano Deore RDM592 9 |
| SHIFTERS | Shimano Alivio M3100 9 |
| SEAT POST | MERIDA EXPERT, 30.9mm diameter, 15mm setback |
| SEAT CLAMP | MERIDA EXPERT clamp |
| SADDLE | MERIDA COMP CC, V-mount |
| PEDAL | VP VPE-537 |
| CHAIN | HG53 |

| | |
|-----------------------|-------------------------------------------------------|
| CHAINWHEEL | Shimano CRE70-B, 34 teeth, Shimano FC-E8000 |
| FREEWHEEL | Shimano HG200, 11-36 teeth, 9 speed |
| BOTTOM BRACKET | included |
| RIM | MERIDA COMP CC, 20mm inner width, material: aluminium |
| HUBS | Shimano MT400-B |
| AXLES | MERIDA COMP TR |
| SPOKES | Black stainless |
| TIRES | Maxxis Ikon |
| LIGHTS | CG-119PG-BLACK(1) / CG-404RG-BLK |
| CARRIER | no |
| FENDER | no |
| KICKSTAND | CL-KA98 |
| BATTERY LOCK | Abus key |
| DRIVE UNIT | Shimano E7000, 60Nm |
| BATTERY | Shimano E8010 504Wh |
| DISPLAY | Shimano SC-E5000 |



eBIG.SEVEN 300 SE

MATT BLACK (ANTHRACITE)

LITE HFS-hydroforming Prolite 66 triple butted aluminium 29er hardtail frame with sporty yet comfortable geometry. 'Smart Entry' cable routing for rattle free running. The frame features a semi-integrated battery. The casting motor bracket creates an integrated appearance of the motor into the frame as well as provides an extremely strong connection between frame and motor. Comes with integrated fixings for mudguards and side stand.

| LEISURE | TRAIL | ALL MOUNTAIN | ENDURO |



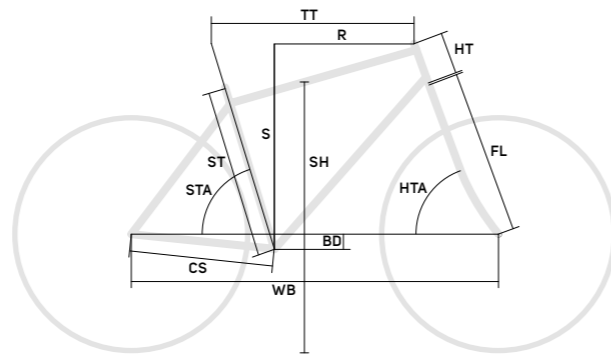
| | |
|-----------------------|----------------------------------------------------------------------------------------------------------------|
| FRAME | eBIG.SEVEN LITE, material: aluminium, 27.5x2.25" max. wheelsize, 148x12mm axle standard, external, max. 504 Wh |
| FRAME SIZE | XS, S, M |
| FORK | Suntour XCM32 DS, Coil, 100mm, Tapered, 47mm fork offset, 27.5x2.2" max wheelsize |
| BRAKES | Shimano MT-200 |
| ROTORS | Shimano RT10 |
| HEADSET | Merida 2341 Neck |
| HANDLEBAR | MERIDA EXPERT CC, 720mm width, 10mm rise |
| HANDLEBAR STEM | MERIDA EXPERT CC, 31,8mm diameter, 6° stem angle, 70 mm-S, 80 mm-M |
| GRIP | MERIDA EXPERT EC |
| DERAILLEUR (R) | Shimano Deore RDM592 9 |
| SHIFTERS | Shimano Alivio M3100 9 |
| SEAT POST | MERIDA EXPERT, 30.9mm diameter, 15mm setback |
| SEAT CLAMP | MERIDA EXPERT clamp |
| SADDLE | MERIDA COMP CC, V-mount |
| PEDAL | VP VPE-537 |
| CHAIN | HG53 |

| | |
|-----------------------|-------------------------------------------------------|
| CHAINWHEEL | Shimano CRE70-B, 34 teeth, Shimano FC-E8000 |
| FREEWHEEL | Shimano HG200, 11-36 teeth, 9 speed |
| BOTTOM BRACKET | included |
| RIM | MERIDA COMP CC, 20mm inner width, material: aluminium |
| HUBS | Shimano MT400-B |
| AXLES | MERIDA COMP TR |
| SPOKES | Black stainless |
| TIRES | Maxxis Ikon |
| LIGHTS | CG-119PG-BLACK(1) / CG-404RG-BLK |
| CARRIER | no |
| FENDER | no |
| KICKSTAND | CL-KA98 |
| BATTERY LOCK | Abus key |
| DRIVE UNIT | Shimano E7000, 60Nm |
| BATTERY | Shimano E8010 504Wh |
| DISPLAY | Shimano SC-E5000 |



eBIG.NINE/SEVEN

GEOMETRIES



eBIG.NINE LITE III

| FS Frame Size | S | M | L | XL |
|-----------------------------|------|------|------|------|
| TS Tire Size | 29" | 29" | 29" | 29" |
| ST seat tube [mm] | 380 | 430 | 480 | 530 |
| TT top tube [mm] | 588 | 605 | 625 | 645 |
| CS chain stay length [mm] | 465 | 465 | 465 | 465 |
| HTA head tube angle [°] | 67.5 | 67.5 | 67.5 | 67.5 |
| STA seat tube angle [°] | 74.5 | 74.5 | 74.5 | 74.5 |
| BD bottom bracket drop [mm] | 62.5 | 62.5 | 62.5 | 62.5 |
| HT head tube [mm] | 115 | 120 | 130 | 140 |
| FL fork length [mm] | 527 | 527 | 527 | 527 |
| R reach [mm] | 411 | 427 | 445 | 462 |
| S stack [mm] | 636 | 640 | 650 | 659 |
| WB wheel base [mm] | 1165 | 1183 | 1204 | 1225 |
| SH stand over height [mm] | 719 | 750 | 794 | 835 |

eBIG.NINE LITE

| FS Frame Size | M | L | XL |
|-----------------------------|------|------|------|
| TS Tire Size | 29" | 29" | 29" |
| ST seat tube [mm] | 430 | 480 | 530 |
| TT top tube [mm] | 590 | 610 | 630 |
| CS chain stay length [mm] | 458 | 458 | 458 |
| HTA head tube angle [°] | 69.5 | 69.5 | 69.5 |
| STA seat tube angle [°] | 73.5 | 73.5 | 73.5 |
| BD bottom bracket drop [mm] | 65 | 65 | 65 |
| HT head tube [mm] | 115 | 125 | 135 |
| FL fork length [mm] | 511 | 511 | 511 |
| R reach [mm] | 402 | 420 | 437 |
| S stack [mm] | 634 | 643 | 652 |
| WB wheel base [mm] | 1123 | 1143 | 1164 |
| SH stand over height [mm] | 733 | 777 | 819 |

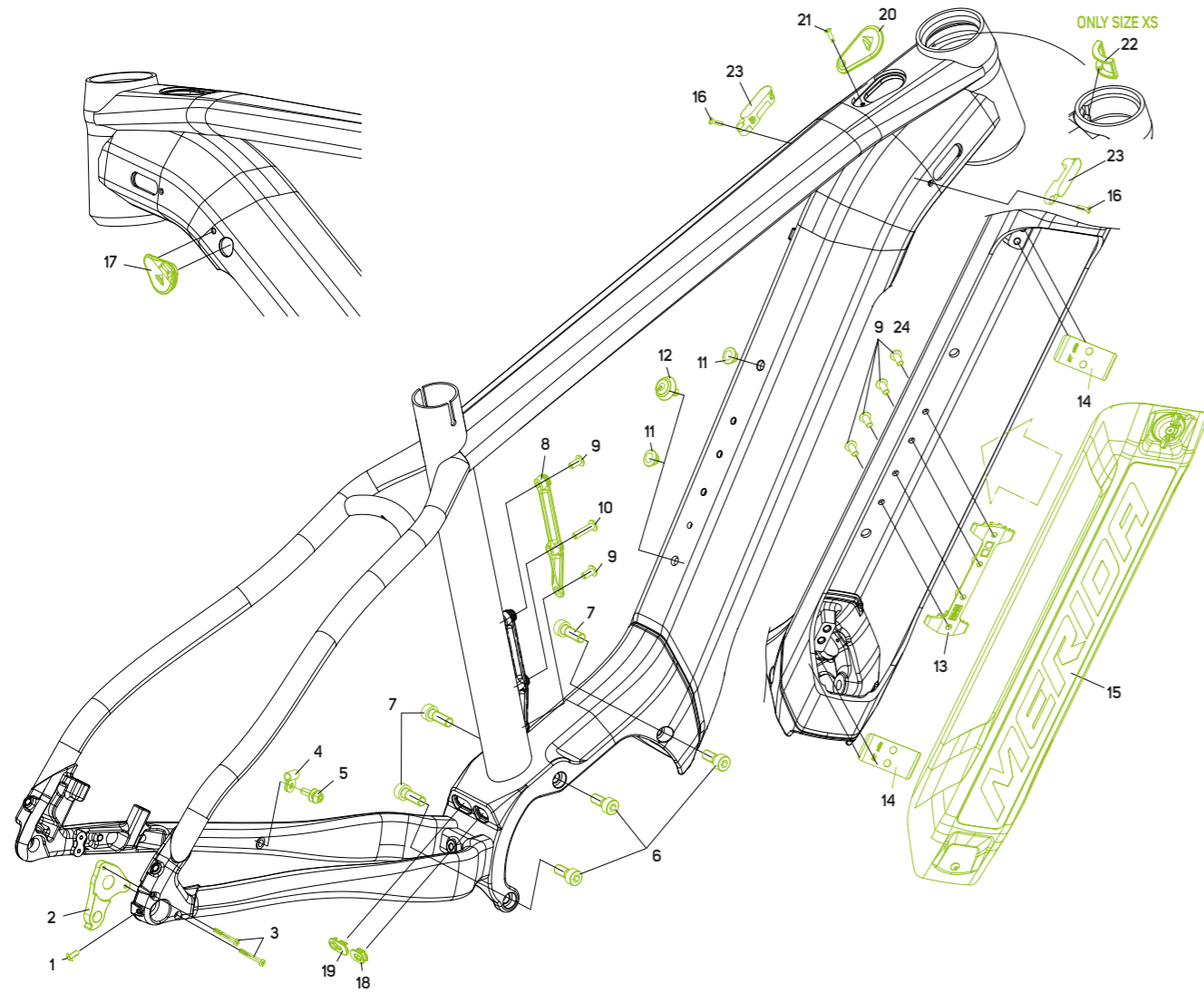
eBIG.SEVEN LITE

| FS Frame Size | XS | S | M |
|-----------------------------|-------|-------|-------|
| TS Tire Size | 27.5" | 27.5" | 27.5" |
| ST seat tube [mm] | 330 | 380 | 430 |
| TT top tube [mm] | 570 | 570 | 590 |
| CS chain stay length [mm] | 455 | 438 | 438 |
| HTA head tube angle [°] | 68 | 68 | 68 |
| STA seat tube angle [°] | 73.5 | 73.5 | 73.5 |
| BD bottom bracket drop [mm] | 27 | 27 | 27 |
| HT head tube [mm] | 115 | 125 | 135 |
| FL fork length [mm] | 487 | 487 | 487 |
| R reach [mm] | 401 | 399 | 416 |
| S stack [mm] | 569 | 579 | 588 |
| WB wheel base [mm] | 1120 | 1104 | 1125 |
| SH stand over height [mm] | 673 | 710 | 749 |

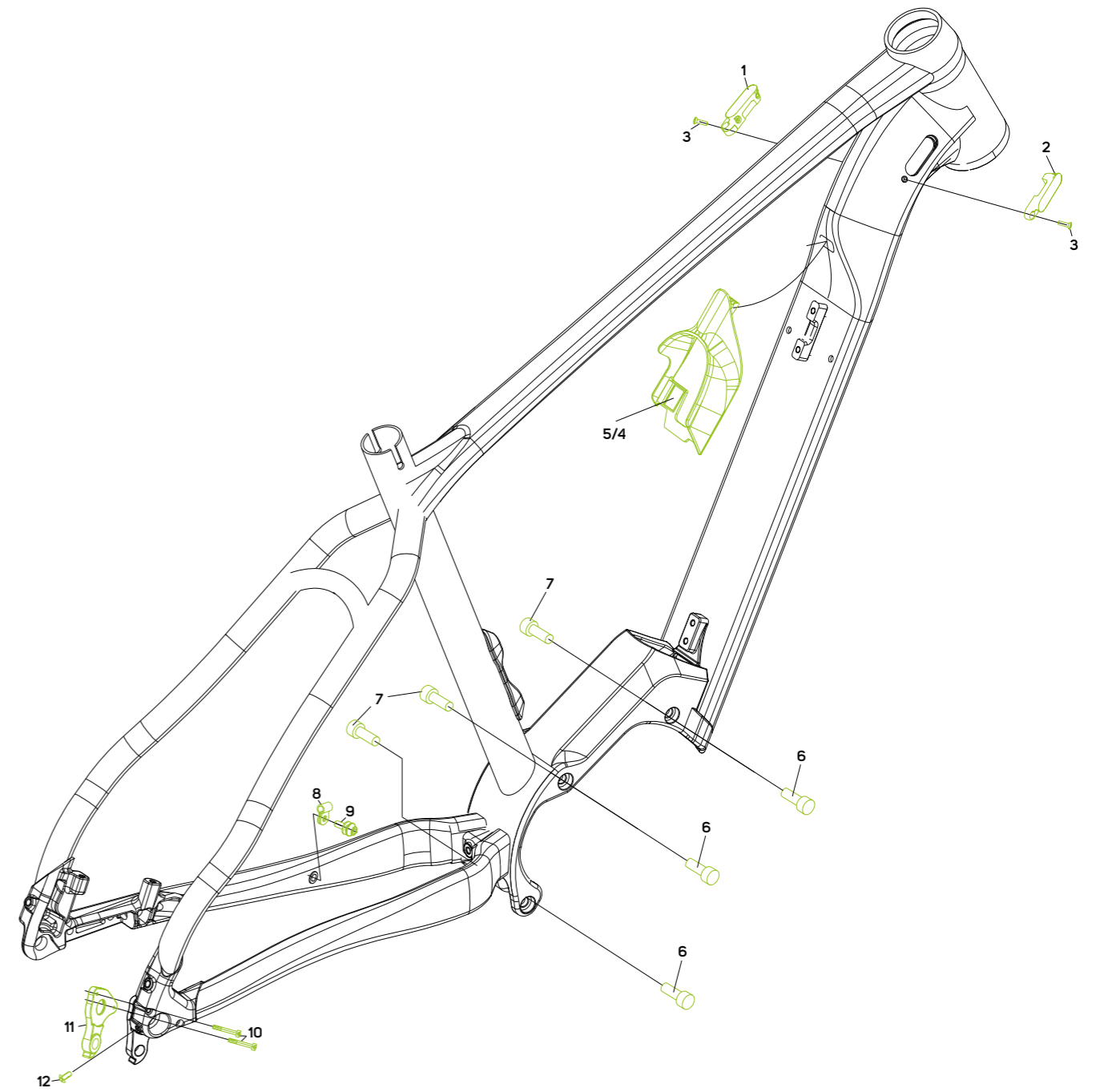
FRAME INTERFACES

| | LITE III | LITE |
|------------------------------|----------------------------------------------------------------|------------------------|
| MAX. WHEELSIZE | 29x2.35" without fender 29x2.25" with fender | 29x2.25" 27.5x2.25" |
| HEAD TUBE | | |
| 11/8" & 1 1/2" | | • |
| 1 1/2" & 1 1/2" | • | |
| HEADSET | | |
| SEMI-INTEGRATED (44-55 mm) | | • |
| INTEGRATED | • | |
| BRAKE STANDARD | | |
| DISC BRAKE ON CHAIN STAY | • | • |
| POST MOUNT 180 mm REAR BRAKE | • | • |
| SEATPOST DIAMETER | | |
| 30.9 mm | | • |
| 34.9 mm | • | |
| REAR DROPOUT-STANDARD | | |
| THRU AXLE 12x148 mm | • | • |
| CABLE ROUTING | | |
| INTERNAL SHIFTING CABLES | • | • |
| INTERNAL BRAKE CABLE | • | • |
| INTERNAL SEAT POST CABLE | • | • |
| DI2-READY | • | • |
| EQUIPMENT OPTIONS | | |
| PLETSCHER 18 mm | • | • |
| CARRIER MOUNT FRAME | • | • |
| FENDER MOUNT FRAME | • | • |
| MOTOR INTERFACE | Shimano Type 2 | Shimano Type 2 |
| BATTERY | Shimano BT-E8036/8035-L or Simplo TPS-004-35PA/TPP-001-35PA | Shimano BT-E8016/8010 |
| SPEEDSENSOR MOUNT | SM-DUE11 | SM-DUE11 |
| RD HANGER | DH-057 | DH-057 |





| No. | Item No. | Item | Detail information | Pieces | Torque Nm | No. | Item No. | Item | Detail information | Pieces | Torque Nm |
|-----|------------|--------------------|-------------------------|--------|-----------|-----|-------------|----------------|--------------------|--------|-----------|
| 1 | 2300005272 | SCREW | | 1 | | 17 | 2143003967 | PLUG | | 1 | |
| 2 | 2311005101 | DROPOUT | DH - 057 (see page 610) | 1 | | 18 | 2258004471 | CABLE GUIDE | | 1 | |
| 3 | 2300010950 | SCREW | | 2 | 4 | 19 | 2258004943 | CABLE GUIDE | | 1 | |
| 4 | 2258001133 | CABLE GUIDE | | 1 | | 20 | 2161001671 | COVER | | 1 | |
| 5 | 2298002501 | SCREW | | 1 | 5 | 21 | 2300011810 | SCREW | | 1 | 4 |
| 6 | 2300015751 | SCREW | | 3 | 12 | 22 | 2029000856 | BUMPER | only Size S | 1 | |
| 7 | 2300015762 | SCREW | | 3 | 12 | 23 | SMART ENTRY | (see page 606) | | 1 | |
| 8 | 2136001371 | BC-MOUNT | | 1 | | 24 | 2298010710 | SCREW | | 4 | 5 |
| 9 | 2298011283 | SCREW | | 6 | 5 | | 2258004716 | SCREW | | 1 | |
| 10 | 2298011164 | SCREW | | 1 | 5 | | 2258004341 | SCREW | | 1 | |
| 11 | 2143003600 | PLUG | | 2 | | | 2258004084 | SCREW | | 1 | |
| 12 | 2143003923 | ON / OFF BUTTON | | 1 | | | 2258004095 | SCREW | | 1 | |
| 13 | 2161002229 | CABLE GUIDE | | 1 | | | 2258004062 | SMART ENTRY | | 1 | |
| 14 | 2111001046 | CABLE HOLDER | | 2 | | | 2258004051 | SMART ENTRY | | 1 | |
| 15 | 2161002133 | ENERGY GUARD TWIST | | 1 | | | 2258004028 | SMART ENTRY | | 1 | |
| 16 | 2300011412 | SCREW | | 2 | 4 | | | | | | |



| No. | Item No. | Item | Detail information | Pieces | Torque Nm | No. | Item No. | Item | Detail information | Pieces | Torque Nm |
|-----|------------|---------------|-----------------------------------------------------|--------|-----------|-----|------------|-------------|-----------------------|--------|-----------|
| 1 | | SMART ENTRY | (see page 606) | | | 6 | 2300012101 | SCREW | | 3 | 16 |
| 2 | | SMART ENTRY | (see page 606) | | | 7 | 2300012112 | SCREW | | 3 | 16 |
| 3 | 2300011412 | SCREW | | 1 | 4 | 8 | 2258000217 | CABLE GUIDE | | 1 | 7 |
| 4 | 2161000670 | BATTERY COVER | for eBIG.SEVEN sizes XS / S for eBIG.NINE size M | 1 | | 9 | 2298002501 | SCREW | | 1 | 7 |
| 5 | 2161000681 | BATTERY COVER | for eBIG.SEVEN size M for eBIG.NINE sizes L / XL | 1 | | 10 | 2300010950 | SCREW | | 2 | 4 |
| | | | | | | 11 | 2311005101 | DROPOUT | DH-057 (see page 610) | 1 | |
| | | | | | | 12 | 2300005272 | SCREW | | 1 | 3-5 |

eBIG.TOUR

MOUNTAIN BIKE TREKKING AT ITS BEST

The eBIG.TOUR EQ combines the best of two worlds in the MERIDA line-up. From the outside a mountain bike but a trekking bike at heart. With a frame based on the eBIG.NINE, a suspension fork and wider 29er MTB tyres, the bike delivers a more comfortable riding feeling than a conventional trekking bike. However, as it comes fully equipped with fenders, carrier and lights, it is ideal for all tasks and duties you normally expect from a trekking bike or hybrid. The heavily bent down top tube offers incredible stand over height for easy mount and dismount.



5

SYSTEM WEIGHT

The system weight of a bike is the combined weight of bike, rider and additional luggage. The allowed system weight for the eBIG.TOUR EQ is 140 kg. As an e-bike is already heavier than a regular bike, and as it also makes it easier to transport larger amounts of luggage, it is imperative to certify a higher overall system weight. All MERIDA e-bikes, as well as all used componentry, go through a rigorous and e-bike specific testing schedule which mimics the higher forces and strains to guarantee the rider the highest level of safety.

1

GET THE RIGHT TRAVEL

100 mm up front offers lots of comfort while having plenty of reserves when you choose a more 'off-road' route home. Ultimately e-MTBs encourage the rider to go 'off the beaten track' whenever possible.

2

EP8

MORE POWER AND RANGE

Shimano's EP8 motor offers a perfectly balanced power delivery with up to 85 Nm and has further improved on size, weight, noise and motor drag. The new 630 Wh battery is perfectly integrated into the hydroformed down tube and delivers an impressive range for even longer detours home.

3

GO BIG

The eBIG.TOUR EQ is rolling on 29er wheels which have fantastic 'rolling over obstacles' behaviour. As standard, it comes equipped with 2.2" wide tyres which offer plenty of grip and comfort. If no fenders are fitted, the tyres can go up to 2.35" improving the off-road riding characteristics even further.

4

WATER CARRIER

The eBIG.TOUR EQ frame offers the possibility to fit a water bottle or further accessories like a lock or pump in two different positions. One is on the top of the down tube, while a second is below the top tube. This gives the rider, besides the possibility to mount bottle cages, the option to mount for example a folding-lock or pump bracket.

eBIG.TOUR 700 EQ

GREY/BLACK

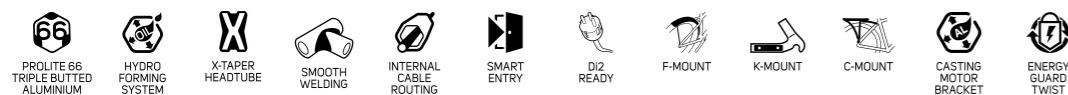
LITE III HFS-hydroforming ProLite 66 triple butted aluminium 29er hardtail frame with integrated battery technology, heavily sloping top tube and sporty yet comfortable geometry. 'Smart Entry' cable routing for rattle free running. The casting motor bracket creates an integrated appearance of the motor into the frame as well as provides an extremely strong connection between frame and motor. Comes with integrated fixings for mudguards and side stand. Multiple fixing positions for water bottles and accessories.

URBAN | COMMUTING | LEISURE | TRAIL



| | |
|-----------------------|----------------------------------------------------------------------------------------------------------------------------------------------------------|
| FRAME | eBIG.TOUR LITE III, material: aluminium, 29x2.35" without fender max./ 29"x2.25" with fender max. wheelsize, 148x12mm axle standard, intube, max. 630 Wh |
| FRAME SIZE | S, M, L, XL |
| FORK | Suntour RAIDON34 LOR, Air, 100mm suspension travel, Tapered, 51mm fork offset, 29x2.4" max wheelsize |
| BRAKES | Shimano M4100 |
| ROTORS | Shimano RT64 / Shimano RTE600 |
| HEADSET | MERIDA-8155 (for the steerer 1-1/8"-1.5") |
| HANDLEBAR | MERIDA EXPERT CC, material: aluminium, 720mm width, 10mm rise |
| HANDLEBAR STEM | MERIDA EXPERT CT, material: aluminium, 31.8mm diameter, adjustable, 90 mm all sizes |
| GRIP | MERIDA EXPERT TK |
| DERAILLEUR (R) | Shimano XT RDM8100 Shadow+ 12 |
| SHIFTERS | Shimano XT M8100 12 |
| SEAT POST | MERIDA EXPERT CC, material: aluminium, 34.9mm diameter, 0mm setback |
| SEAT CLAMP | MERIDA EXPERT |
| SADDLE | MERIDA EXPERT TK, V-mount |
| PEDAL | VP VPE-527 |
| CHAIN | CN-M6100 |

| | |
|-----------------------|--------------------------------------------------------------------------------|
| CHAINWHEEL | Shimano CRE70-12-B, 36 teeth, Shimano FC6M600 |
| FREEWHEEL | Shimano M7100, 10-51 teeth, 12 speed |
| BOTTOM BRACKET | included |
| RIM | MERIDA COMP CC, 20mm inner width, material: aluminium |
| HUBS | Shimano SLX |
| AXLES | MERIDA EXPERT TR |
| SPOKES | Black stainless |
| TIRES | KENDA Booster |
| LIGHTS | LEZYNE E-BIKE POWER STVZO E115, X-Lock stem mount / Spanninga Commuter GLOW XE |
| CARRIER | MERIDA MA008-1 w/spring clamp + Spanninga GLOW XE |
| FENDER | Sunnywheel SW-FA311-65A/ SW-FA311-65E1 |
| KICKSTAND | CL-KA98, 29" |
| FRAME LOCK | Abus 5650 LH-3 lock |
| BATTERY LOCK | Abus key |
| DRIVE UNIT | Shimano EP8, 85Nm |
| BATTERY | Shimano E8036 630Wh |



eBIG.TOUR 700 EQ

MATT GREEN/BLACK

LITE III HFS-hydroforming ProLite 66 triple butted aluminium 29er hardtail frame with integrated battery technology, heavily sloping top tube and sporty yet comfortable geometry. 'Smart Entry' cable routing for rattle free running. The casting motor bracket creates an integrated appearance of the motor into the frame as well as provides an extremely strong connection between frame and motor. Comes with integrated fixings for mudguards and side stand. Multiple fixing positions for water bottles and accessories.

URBAN | COMMUTING | LEISURE | TRAIL



| | |
|-----------------------|----------------------------------------------------------------------------------------------------------------------------------------------------------|
| FRAME | eBIG.TOUR LITE III, material: aluminium, 29x2.35" without fender max./ 29"x2.25" with fender max. wheelsize, 148x12mm axle standard, intube, max. 630 Wh |
| FRAME SIZE | S, M, L, XL |
| FORK | Suntour RAIDON34 LOR, Air, 100mm suspension travel, Tapered, 51mm fork offset, 29x2.4" max wheelsize |
| BRAKES | Shimano M4100 |
| ROTORS | Shimano RT64 / Shimano RTE600 |
| HEADSET | MERIDA-8155 (for the steerer 1-1/8"-1.5") |
| HANDLEBAR | MERIDA EXPERT CC, material: aluminium, 720mm width, 10mm rise |
| HANDLEBAR STEM | MERIDA EXPERT CT, material: aluminium, 31.8mm diameter, adjustable, 90 mm all sizes |
| GRIP | MERIDA EXPERT TK |
| DERAILLEUR (R) | Shimano XT RDM8100 Shadow+ 12 |
| SHIFTERS | Shimano XT M8100 12 |
| SEAT POST | MERIDA EXPERT CC, material: aluminium, 34.9mm diameter, 0mm setback |
| SEAT CLAMP | MERIDA EXPERT |
| SADDLE | MERIDA EXPERT TK, V-mount |
| PEDAL | VP VPE-527 |
| CHAIN | CN-M6100 |

| | |
|-----------------------|--------------------------------------------------------------------------------|
| CHAINWHEEL | Shimano CRE70-12-B, 36 teeth, Shimano FC6M600 |
| FREEWHEEL | Shimano M7100, 10-51 teeth, 12 speed |
| BOTTOM BRACKET | included |
| RIM | MERIDA COMP CC, 20mm inner width, material: aluminium |
| HUBS | Shimano SLX |
| AXLES | MERIDA EXPERT TR |
| SPOKES | Black stainless |
| TIRES | KENDA Booster |
| LIGHTS | LEZYNE E-BIKE POWER STVZO E115, X-Lock stem mount / Spanninga Commuter GLOW XE |
| CARRIER | MERIDA MA008-1 w/spring clamp + Spanninga GLOW XE |
| FENDER | Sunnywheel SW-FA311-65A/ SW-FA311-65E1 |
| KICKSTAND | CL-KA98, 29" |
| FRAME LOCK | Abus 5650 LH-3 lock |
| BATTERY LOCK | Abus key |
| DRIVE UNIT | Shimano EP8, 85Nm |
| BATTERY | Shimano E8036 630Wh |



eBIG.TOUR 600 EQ

GREY/BLACK

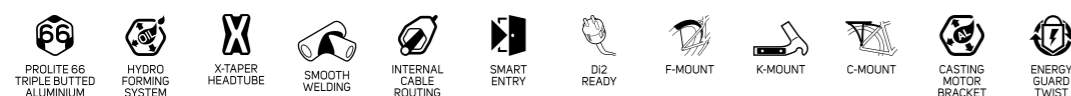
LITE III HFS-hydroforming Protite 66 triple butted aluminium 29er hardtail frame with integrated battery technology, heavily sloping top tube and sporty yet comfortable geometry. 'Smart Entry' cable routing for rattle free running. The casting motor bracket creates an integrated appearance of the motor into the frame as well as provides an extremely strong connection between frame and motor. Comes with integrated fixings for mudguards and side stand. Multiple fixing positions for water bottles and accessories.

| URBAN | COMMUTING | LEISURE | TRAIL |



| | |
|-----------------------|----------------------------------------------------------------------------------------------------------------------------------------------------------|
| FRAME | eBIG.TOUR LITE III, material: aluminium, 29x2.35" without fender max./ 29"x2.25" with fender max. wheelsize, 148x12mm axle standard, intube, max. 630 Wh |
| FRAME SIZE | S, M, L, XL |
| FORK | Suntour XCR34 LOR DS, Air Boost, 100mm, Tapered, 51mm fork offset, 29x2.4" max wheelsize |
| BRAKES | Shimano M4100 |
| ROTORS | Shimano RT30 / Shimano RTEM300 |
| HEADSET | MERIDA-8155 (for the steerer 1-1/8"-1.5") |
| HANDLEBAR | MERIDA EXPERT CC, material: aluminium, 720mm width, 10mm rise |
| HANDLEBAR STEM | MERIDA EXPERT CT, material: aluminium, 31.8mm diameter, adjustable, 90 mm all sizes |
| GRIP | MERIDA EXPERT TK |
| DERAILLEUR (R) | Shimano Deore RDM5100 11 |
| SHIFTERS | Shimano Deore M5100 11 |
| SEAT POST | MERIDA EXPERT CC, material: aluminium, 34.9mm diameter, 0mm setback |
| SEAT CLAMP | MERIDA EXPERT |
| SADDLE | MERIDA EXPERT TK, V-mount |
| PEDAL | VP VPE-537 |
| CHAIN | HG601-11 |

| | |
|-----------------------|--------------------------------------------------------------------------------|
| CHAINWHEEL | Shimano CRE70-B, 34 teeth, Shimano FCEM600 |
| FREEWHEEL | Shimano M5100, 11-51 teeth, 11 speed |
| BOTTOM BRACKET | included |
| RIM | MERIDA COMP CC, 20mm inner width, material: aluminium |
| HUBS | Shimano MT400-B |
| AXLES | MERIDA EXPERT TR |
| SPOKES | Black stainless |
| TIRES | KENDA Booster |
| LIGHTS | LEZYNE E-BIKE POWER STVZO E115, X-Lock stem mount / Spanninga Commuter GLOW XE |
| CARRIER | MERIDA MA008-1 w/spring clamp + Spanninga GLOW XE |
| FENDER | Sunnywheel SW-FA311-65A/ SW-FA311-65E1 |
| KICKSTAND | CL-KA98, 29" |
| FRAME LOCK | Abus 5650 LH-3 lock |
| BATTERY LOCK | Abus key |
| DRIVE UNIT | Shimano EP8, 85Nm |
| BATTERY | Shimano E8036 630Wh |



eBIG.TOUR 600 EQ

SILK BLUE/BLACK

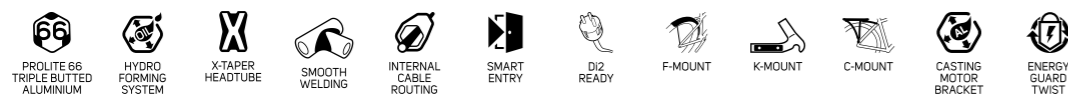
LITE III HFS-hydroforming ProLite 66 triple butted aluminium 29er hardtail frame with integrated battery technology, heavily sloping top tube and sporty yet comfortable geometry. 'Smart Entry' cable routing for rattle free running. The casting motor bracket creates an integrated appearance of the motor into the frame as well as provides an extremely strong connection between frame and motor. Comes with integrated fixings for mudguards and side stand. Multiple fixing positions for water bottles and accessories.

URBAN | COMMUTING | LEISURE | TRAIL



| | |
|-----------------------|----------------------------------------------------------------------------------------------------------------------------------------------------------|
| FRAME | eBIG.TOUR LITE III, material: aluminium, 29x2.35" without fender max./ 29"x2.25" with fender max. wheelsize, 148x12mm axle standard, intube, max. 630 Wh |
| FRAME SIZE | S, M, L, XL |
| FORK | Suntour XCR34 LOR DS, Air Boost, 100mm, Tapered, 51mm fork offset, 29x2.4" max wheelsize |
| BRAKES | Shimano M4100 |
| ROTORS | Shimano RT30 / Shimano RTE300 |
| HEADSET | MERIDA-8155 (for the steerer 1-1/8"-1.5") |
| HANDLEBAR | MERIDA EXPERT CC, material: aluminium, 720mm width, 10mm rise |
| HANDLEBAR STEM | MERIDA EXPERT CT, material: aluminium, 31.8mm diameter, adjustable, 90 mm all sizes |
| GRIP | MERIDA EXPERT TK |
| DERAILLEUR (R) | Shimano Deore RDM5100 11 |
| SHIFTERS | Shimano Deore M5100 11 |
| SEAT POST | MERIDA EXPERT CC, material: aluminium, 34.9mm diameter, 0mm setback |
| SEAT CLAMP | MERIDA EXPERT |
| SADDLE | MERIDA EXPERT TK, V-mount |
| PEDAL | VP VPE-537 |
| CHAIN | HG601-11 |

| | |
|-----------------------|--------------------------------------------------------------------------------|
| CHAINWHEEL | Shimano CRE70-B, 34 teeth, Shimano FCEM600 |
| FREEWHEEL | Shimano M5100, 11-51 teeth, 11 speed |
| BOTTOM BRACKET | included |
| RIM | MERIDA COMP CC, 20mm inner width, material: aluminium |
| HUBS | Shimano MT400-B |
| AXLES | MERIDA EXPERT TR |
| SPOKES | Black stainless |
| TIRES | KENDA Booster |
| LIGHTS | LEZYNE E-BIKE POWER STVZO E115, X-Lock stem mount / Spanninga Commuter GLOW XE |
| CARRIER | MERIDA MA008-1 w/spring clamp + Spanninga GLOW XE |
| FENDER | Sunnywheel SW-FA311-65A/ SW-FA311-65E1 |
| KICKSTAND | CL-KA98, 29" |
| FRAME LOCK | Abus 5650 LH-3 lock |
| BATTERY LOCK | Abus key |
| DRIVE UNIT | Shimano EP8, 85Nm |
| BATTERY | Shimano E8036 630Wh |



eBIG.TOUR 400 EQ

COOL GREY (MATT BLACK)

LITE III HFS-hydroforming ProLite 66 triple butted aluminium 29er hardtail frame with integrated battery technology, heavily sloping top tube and sporty yet comfortable geometry. 'Smart Entry' cable routing for rattle free running. The casting motor bracket creates an integrated appearance of the motor into the frame as well as provides an extremely strong connection between frame and motor. Comes with integrated fixings for mudguards and side stand. Multiple fixing positions for water bottles and accessories.

URBAN | COMMUTING | LEISURE | TRAIL



| | |
|-----------------------|----------------------------------------------------------------------------------------------------------------------------------------------------------|
| FRAME | eBIG.TOUR LITE III, material: aluminium, 29x2.35" without fender max./ 29"x2.25" with fender max. wheelsize, 148x12mm axle standard, intube, max. 630 Wh |
| FRAME SIZE | S, M, L, XL |
| FORK | Suntour XCM34-Boost LOR DS, 100mm, Tapered, 51mm fork offset, 29x2.4" max wheelsize |
| BRAKES | Shimano MT-200 |
| ROTORS | Shimano RT30 / Shimano RTE300 |
| HEADSET | MERIDA-8155 (for the steerer 1-1/8"-1.5") |
| HANDLEBAR | MERIDA EXPERT CC, material: aluminium, 720mm width, 10mm rise |
| HANDLEBAR STEM | MERIDA EXPERT CT, material: aluminium, 31.8mm diameter, adjustable, 90 mm all sizes |
| GRIP | MERIDA EXPERT TK |
| DERAILLEUR (R) | Shimano Deore M5120, SGS |
| SHIFTERS | Shimano Deore M4100 |
| SEAT POST | MERIDA EXPERT CC, material: aluminium, 34.9mm diameter, 0mm setback |
| SEAT CLAMP | MERIDA EXPERT |
| SADDLE | MERIDA EXPERT TK, V-mount |
| PEDAL | VP VPE-537 |
| CHAIN | CNHG54 |

| | |
|-----------------------|-------------------------------------------------------------------------------|
| CHAINWHEEL | Shimano CRE70-B, 34 teeth, Shimano FCEM600 |
| FREEWHEEL | Shimano M4100, 11-46 teeth, 10 speed |
| BOTTOM BRACKET | included |
| RIM | MERIDA COMP CC, 20mm inner width, material: aluminium |
| HUBS | Shimano MT400-B |
| AXLES | MERIDA EXPERT TR |
| SPOKES | Black stainless |
| TIRES | KENDA Booster |
| LIGHTS | LEZYNE E-BIKE HECTO STVZO E65, X-Lock stem mount / Spanninga Commuter GLOW XE |
| CARRIER | MERIDA MA008-1 w/spring clamp + Spanninga GLOW XE |
| FENDER | Sunnywheel SW-FA311-65A/65E1 |
| KICKSTAND | CL-KA98, 29" |
| FRAME LOCK | Abus 5650 LH-3 lock |
| BATTERY LOCK | Abus key |
| DRIVE UNIT | Shimano EP8, 85Nm |
| BATTERY | Shimano E8036 630Wh |



eBIG.TOUR 400 EQ

TEAL-BLUE (LIME)

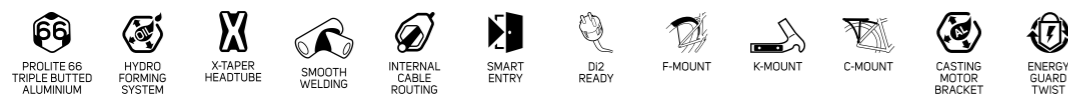
LITE III HFS-hydroforming ProLite 66 triple butted aluminium 29er hardtail frame with integrated battery technology, heavily sloping top tube and sporty yet comfortable geometry. 'Smart Entry' cable routing for rattle free running. The casting motor bracket creates an integrated appearance of the motor into the frame as well as provides an extremely strong connection between frame and motor. Comes with integrated fixings for mudguards and side stand. Multiple fixing positions for water bottles and accessories.

URBAN | COMMUTING | LEISURE | TRAIL



| | |
|-----------------------|----------------------------------------------------------------------------------------------------------------------------------------------------------|
| FRAME | eBIG.TOUR LITE III, material: aluminium, 29x2.35" without fender max./ 29"x2.25" with fender max. wheelsize, 148x12mm axle standard, intube, max. 630 Wh |
| FRAME SIZE | S, M, L, XL |
| FORK | Suntour XCM34-Boost LOR DS, 100mm, Tapered, 51mm fork offset, 29x2.4" max wheelsize |
| BRAKES | Shimano MT-200 |
| ROTORS | Shimano RT30 / Shimano RTE300 |
| HEADSET | MERIDA-8155 (for the steerer 1-1/8"-1.5") |
| HANDLEBAR | MERIDA EXPERT CC, material: aluminium, 720mm width, 10mm rise |
| HANDLEBAR STEM | MERIDA EXPERT CT, material: aluminium, 31.8mm diameter, adjustable, 90 mm all sizes |
| GRIP | MERIDA EXPERT TK |
| DERAILLEUR (R) | Shimano Deore M5120, SGS |
| SHIFTERS | Shimano Deore M4100 |
| SEAT POST | MERIDA EXPERT CC, material: aluminium, 34.9mm diameter, 0mm setback |
| SEAT CLAMP | MERIDA EXPERT |
| SADDLE | MERIDA EXPERT TK, V-mount |
| PEDAL | VP VPE-537 |
| CHAIN | CNHG54 |

| | |
|-----------------------|-------------------------------------------------------------------------------|
| CHAINWHEEL | Shimano CRE70-B, 34 teeth, Shimano FCEM600 |
| FREEWHEEL | Shimano M4100, 11-46 teeth, 10 speed |
| BOTTOM BRACKET | included |
| RIM | MERIDA COMP CC, 20mm inner width, material: aluminium |
| HUBS | Shimano MT400-B |
| AXLES | MERIDA EXPERT TR |
| SPOKES | Black stainless |
| TIRES | KENDA Booster |
| LIGHTS | LEZYNE E-BIKE HECTO STVZO E65, X-Lock stem mount / Spanninga Commuter GLOW XE |
| CARRIER | MERIDA MA008-1 w/spring clamp + Spanninga GLOW XE |
| FENDER | Sunnywheel SW-FA311-65A/65E1 |
| KICKSTAND | CL-KA98, 29" |
| FRAME LOCK | Abus 5650 LH-3 lock |
| BATTERY LOCK | Abus key |
| DRIVE UNIT | Shimano EP8, 85Nm |
| BATTERY | Shimano E8036 630Wh |



eBIG.TOUR 400 EQ

SILK SAND (BLACK)

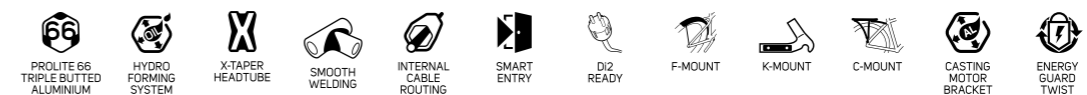
LITE III HFS-hydroforming ProLite 66 triple butted aluminium 29er hardtail frame with integrated battery technology, heavily sloping top tube and sporty yet comfortable geometry. 'Smart Entry' cable routing for rattle free running. The casting motor bracket creates an integrated appearance of the motor into the frame as well as provides an extremely strong connection between frame and motor. Comes with integrated fixings for mudguards and side stand. Multiple fixing positions for water bottles and accessories.

URBAN | COMMUTING | LEISURE | TRAIL



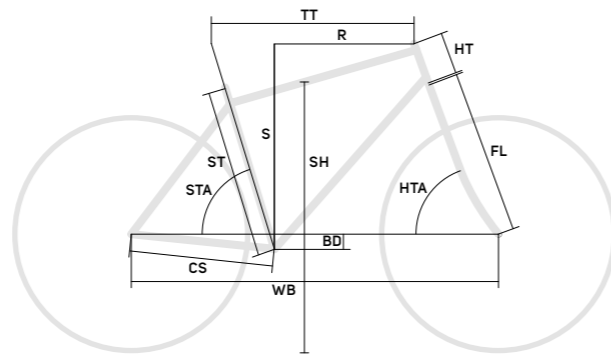
| | |
|-----------------------|----------------------------------------------------------------------------------------------------------------------------------------------------------|
| FRAME | eBIG.TOUR LITE III, material: aluminium, 29x2.35" without fender max./ 29"x2.25" with fender max. wheelsize, 148x12mm axle standard, intube, max. 630 Wh |
| FRAME SIZE | S, M, L, XL |
| FORK | Suntour XCM34-Boost LOR DS, 100mm, Tapered, 51mm fork offset, 29x2.4" max wheelsize |
| BRAKES | Shimano MT-200 |
| ROTORS | Shimano RT30 / Shimano RTE300 |
| HEADSET | MERIDA-8155 (for the steerer 1-1/8"-1.5") |
| HANDLEBAR | MERIDA EXPERT CC, material: aluminium, 720mm width, 10mm rise |
| HANDLEBAR STEM | MERIDA EXPERT CT, material: aluminium, 31.8mm diameter, adjustable, 90 mm all sizes |
| GRIP | MERIDA EXPERT TK |
| DERAILLEUR (R) | Shimano Deore M5120, SGS |
| SHIFTERS | Shimano Deore M4100 |
| SEAT POST | MERIDA EXPERT CC, material: aluminium, 34.9mm diameter, 0mm setback |
| SEAT CLAMP | MERIDA EXPERT |
| SADDLE | MERIDA EXPERT TK, V-mount |
| PEDAL | VP VPE-537 |
| CHAIN | CNHG54 |

| | |
|-----------------------|-------------------------------------------------------------------------------|
| CHAINWHEEL | Shimano CRE70-B, 34 teeth, Shimano FCEM600 |
| FREEWHEEL | Shimano M4100, 11-46 teeth, 10 speed |
| BOTTOM BRACKET | included |
| RIM | MERIDA COMP CC, 20mm inner width, material: aluminium |
| HUBS | Shimano MT400-B |
| AXLES | MERIDA EXPERT TR |
| SPOKES | Black stainless |
| TIRES | KENDA Booster |
| LIGHTS | LEZYNE E-BIKE HECTO STVZO E65, X-Lock stem mount / Spanninga Commuter GLOW XE |
| CARRIER | MERIDA MA008-1 w/spring clamp + Spanninga GLOW XE |
| FENDER | Sunnywheel SW-FA311-65A/65E1 |
| KICKSTAND | CL-KA98, 29" |
| FRAME LOCK | Abus 5650 LH-3 lock |
| BATTERY LOCK | Abus key |
| DRIVE UNIT | Shimano EP8, 85Nm |
| BATTERY | Shimano E8036 630Wh |



eBIG.TOUR

GEOMETRIES



eBIG.TOUR LITE IV

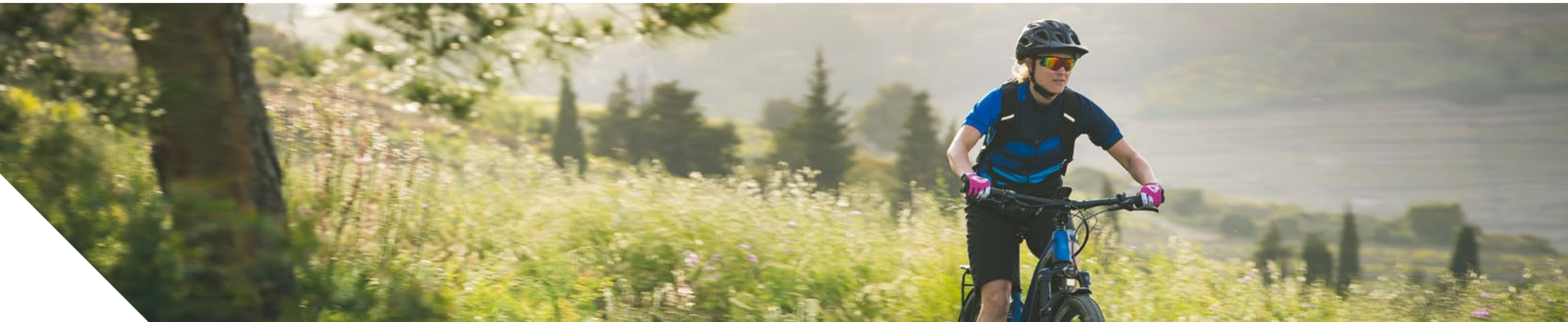
| FS Frame Size | S | M | L | XL |
|-----------------------------|------|------|------|------|
| TS Tire Size | 29" | 29" | 29" | 29" |
| ST seat tube [mm] | 380 | 430 | 480 | 530 |
| TT top tube [mm] | 588 | 605 | 625 | 645 |
| CS chain stay length [mm] | 465 | 465 | 465 | 465 |
| HTA head tube angle [°] | 67.5 | 67.5 | 67.5 | 67.5 |
| STA seat tube angle [°] | 74.5 | 74.5 | 74.5 | 74.5 |
| BD bottom bracket drop [mm] | 62.5 | 62.5 | 62.5 | 62.5 |
| HT head tube [mm] | 115 | 120 | 130 | 140 |
| FL fork length [mm] | 527 | 527 | 527 | 527 |
| R reach [mm] | 411 | 427 | 445 | 462 |
| S stack [mm] | 636 | 640 | 650 | 659 |
| WB wheel base [mm] | 1165 | 1183 | 1204 | 1225 |
| SH stand over height [mm] | 630 | 653 | 665 | 677 |

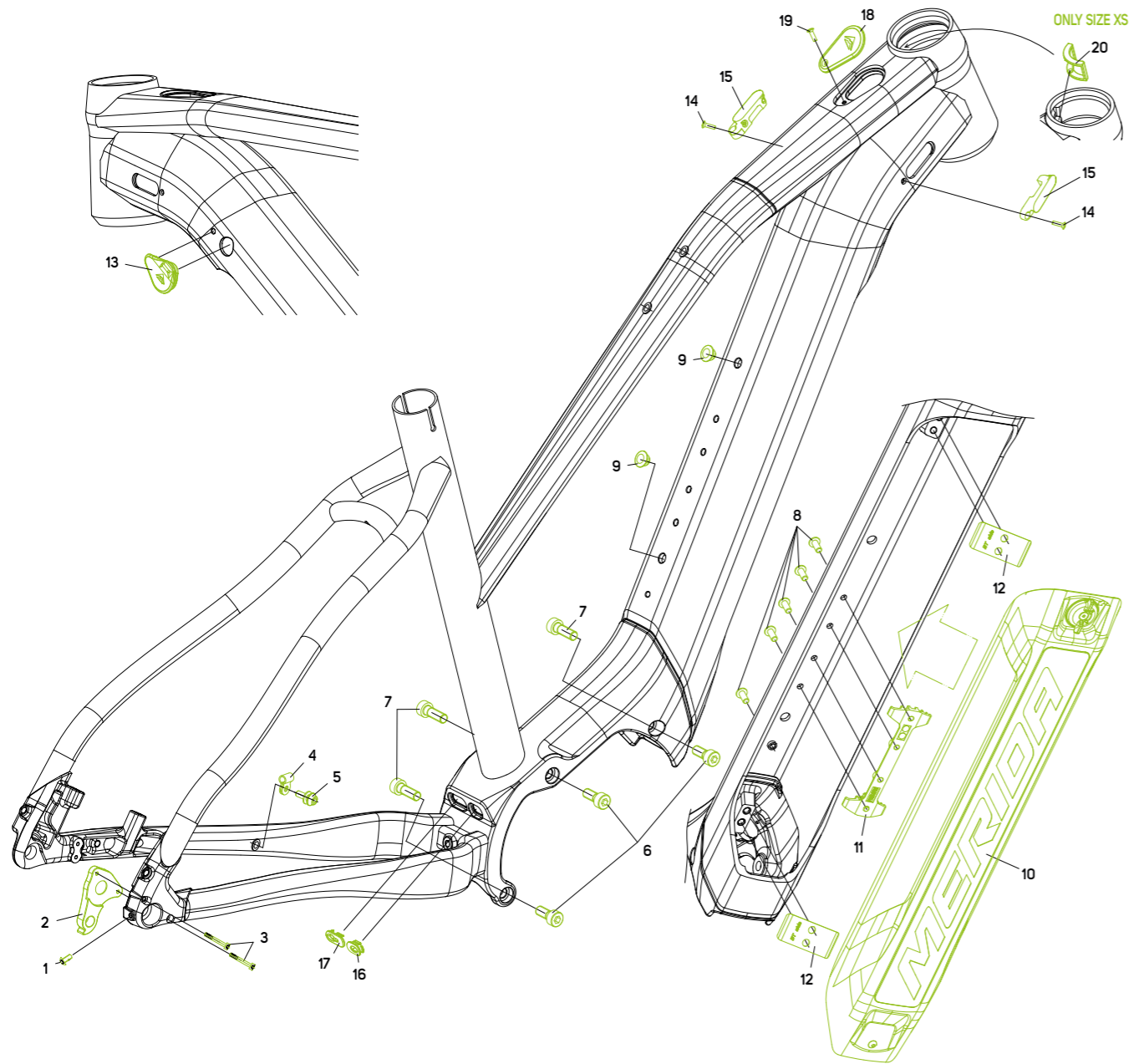
eBIG.TOUR LITE III

| FS Frame Size | S | M | L | XL |
|-----------------------------|------|------|------|------|
| TS Tire Size | 29" | 29" | 29" | 29" |
| ST seat tube [mm] | 380 | 430 | 480 | 530 |
| TT top tube [mm] | 588 | 605 | 625 | 645 |
| CS chain stay length [mm] | 465 | 465 | 465 | 465 |
| HTA head tube angle [°] | 67.5 | 67.5 | 67.5 | 67.5 |
| STA seat tube angle [°] | 74.5 | 74.5 | 74.5 | 74.5 |
| BD bottom bracket drop [mm] | 62.5 | 62.5 | 62.5 | 62.5 |
| HT head tube [mm] | 115 | 120 | 130 | 140 |
| FL fork length [mm] | 527 | 527 | 527 | 527 |
| R reach [mm] | 411 | 427 | 445 | 462 |
| S stack [mm] | 636 | 640 | 650 | 659 |
| WB wheel base [mm] | 1165 | 1183 | 1204 | 1225 |
| SH stand over height [mm] | 630 | 653 | 665 | 677 |

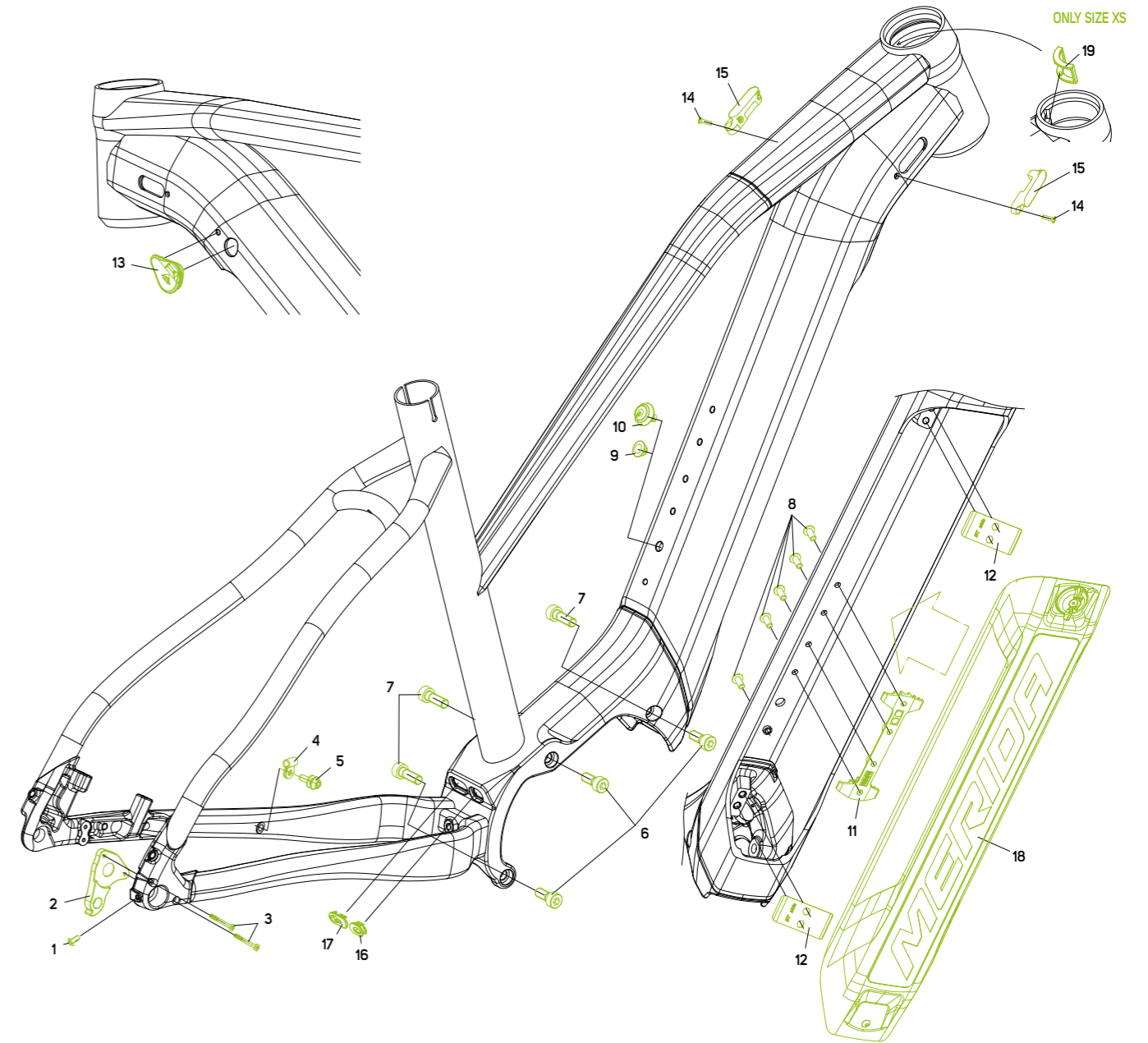
FRAME INTERFACES

| | LITE IV | LITE III |
|------------------------------|----------------------------------------------------------------|-------------------------------------------------|
| MAX. WHEELSIZE | 29x2.35" without fender 29x2.25" with fender | 29x2.35" without fender 29x2.25" with fender |
| HEAD TUBE | | |
| 1 1/2" & 1 1/2" | • | • |
| HEADSET | | |
| INTEGRATED | • | • |
| BRAKE STANDARD | | |
| DISC BRAKE ON CHAIN STAY | • | • |
| POST MOUNT 180 mm REAR BRAKE | • | • |
| SEATPOST DIAMETER | | |
| 34.9 mm | • | • |
| REAR DROPOUT-STANDARD | | |
| THRU AXLE 12x148 mm | • | • |
| CABLE ROUTING | | |
| INTERNAL SHIFTING CABLES | • | • |
| INTERNAL BRAKE CABLE | • | • |
| INTERNAL SEAT POST CABLE | • | • |
| DI2-READY | • | • |
| EQUIPMENT OPTIONS | | |
| PLETSCHER 18 mm | • | • |
| CARRIER MOUNT FRAME | • | • |
| FENDER MOUNT FRAME | • | • |
| MOTOR INTERFACE | Shimano Type 2 | Shimano Type 2 |
| BATTERY | Shimano BT-E8036/8035-L or Simplo TPS-004-35PA/TPP-001-35PA | Shimano BT-E8036/8035-L |
| SPEEDSENSOR MOUNT | SM-DUE11 | SM-DUE11 |
| RD HANGER | DH-057 | DH-057 |





| No. | Item No. | Item | Detail information | Pieces | Torque Nm | No. | Item No. | Item | Detail information | Pieces | Torque Nm |
|-----|------------|--------------------|-------------------------|--------|-----------|-----|------------|-------------|--------------------|--------|-----------|
| 1 | 2300005272 | SCREW | | 1 | | 15 | | SMART ENTRY | (see page 606) | 1 | |
| 2 | 2311005101 | DROPOUT | DH - 057 (see page 610) | 1 | | 16 | 2258004471 | CABLE GUIDE | | 1 | |
| 3 | 2300010950 | SCREW | | 2 | 4 | 17 | 2258004943 | CABLE GUIDE | | 1 | |
| 4 | 2258001133 | CABLE GUIDE | | 1 | | 18 | 2161001671 | COVER | | 1 | |
| 5 | 2298002501 | SCREW | | 1 | 5 | 19 | 2300011810 | SCREW | | 1 | 4 |
| 6 | 2300015751 | SCREW | | 3 | 12 | 20 | 2029000856 | BUMPER | only size S | 1 | |
| 7 | 2300015762 | SCREW | | 3 | 12 | | 2258004716 | SMART ENTRY | | 1 | |
| 8 | 2298010710 | SCREW | | 5 | 5 | | 2258004341 | SMART ENTRY | | 1 | |
| 9 | 2143003600 | PLUG | | 2 | | | 2258004084 | SMART ENTRY | | 1 | |
| 10 | 2161002133 | ENERGY GUARD TWIST | | 1 | | | 2258004062 | SMART ENTRY | | 1 | |
| 11 | 2161002229 | CABLE GUIDE | | 1 | | | 2258004051 | SMART ENTRY | | 1 | |
| 12 | 2111001046 | CABLE HOLDER | | 2 | | | 2258004028 | SMART ENTRY | | 1 | |
| 13 | 2143003967 | PLUG | | 1 | | | | | | | |
| 14 | 2300011412 | SCREW | | 2 | 4 | | | | | | |



| No. | Item No. | Item | Detail information | Pieces | Torque Nm | No. | Item No. | Item | Detail information | Pieces | Torque Nm |
|-----|------------|-----------------|-------------------------|--------|-----------|-----|------------|--------------------|--------------------|--------|-----------|
| 1 | 2300005272 | SCREW | | 1 | | 15 | | SMART ENTRY | | 1 | |
| 2 | 2311005101 | DROPOUT | DH - 057 (see page 610) | 1 | | 16 | 2258004471 | CABLE GUIDE | | 1 | |
| 3 | 2300010950 | SCREW | | 2 | 4 | 17 | 2258004943 | CABLE GUIDE | | 1 | |
| 4 | 2258001133 | CABLE GUIDE | | 1 | | 18 | 2161002133 | ENERGY GUARD TWIST | | 1 | |
| 5 | 2298002501 | SCREW | | 1 | 5 | 19 | 2029000856 | BUMPER | only size S | 1 | |
| 6 | 2300015751 | SCREW | | 3 | 12 | | 2258004716 | SMART ENTRY | | 1 | |
| 7 | 2300015762 | SCREW | | 3 | 12 | | 2258004341 | SMART ENTRY | | 1 | |
| 8 | 2298011283 | SCREW | | 5 | 5 | | 2258004084 | SMART ENTRY | | 1 | |
| 9 | 2143003600 | PLUG | | 1 | | | 2258004095 | SMART ENTRY | | 1 | |
| 10 | 2143003923 | ON / OFF BUTTON | | 1 | | | 2258004062 | SMART ENTRY | | 1 | |
| 11 | 2161002229 | CABLE GUIDE | | 1 | | | 2258004051 | SMART ENTRY | | 1 | |
| 12 | 2111001046 | CABLE HOLDER | | 2 | | | 2258004028 | SMART ENTRY | | 1 | |
| 13 | 2143003967 | PLUG | | 1 | | | | | | | |
| 14 | 2300011412 | SCREW | | 2 | 4 | | | | | | |



LEISURE MEETS COMMUTING

ACTIVE



eSPRESSO

YOUR E-BIKE PARTNER FOR AROUND TOWN

The 2021 eSPRESSO is dominated by an exciting range and power upgrade - thanks to the new internal 630 Wh battery and the option for the more sporty rider, to go for a Shimano EP8 equipped model. The modern in-tube battery design in combination with the purposeful and hugely comfortable geometry as well as the seamless integration of the whole spectrum of Shimano's powerful STePS motors sets the eSPRESSO apart from other e-bikes.



5

READY TO HIT THE ROAD

All our eSPRESSO models come equipped with mudguards, lights, lock, rear rack and a kickstand, making them ready for anything from the moment you leave the store.



MULTIPLE OPTIONS

In our eSPRESSO range, you can choose between two frame options. The frame design with integrated battery technology, or the proven semi-integrated battery frame option, so that you can find the ideal bike for your preferences and your budget. Our integrated battery models come equipped with either the super-powerful EP8 or the more economical E6100 motor, while the semi-integrated battery models feature the entry-level E5000 power unit, giving you even more choice to select the perfect eSPRESSO for your needs.

1

ENERGY GUARD TWIST

The MERIDA 'Energy Guard Twist' is a two-component battery cover, which offers easy and fast access to the battery while protecting it from outside impacts. The new twist-lock mechanism that is located at the top end of the battery cover allows tool-less locking and unlocking of the protective internal battery cover.

2

SYSTEM WEIGHT

The system weight of a bike is the combination of bike, rider and additional luggage. The allowed system weight for the eSPRESSO is 140 kg. As an e-bike already has a higher weight than a regular bike, and also makes it easier to transport larger amounts of luggage, it is imperative to certify a higher overall system weight. All MERIDA e-bikes, as well as all used componentry, go through a rigorous and e-bike specific testing schedule which mimics the higher forces and strains to guarantee the rider the highest level of safety.

3

FAST-ROLLING 700C WHEELS

Our 'classic' eSPRESSO range sits on fast-rolling 700c wheels, ideal for rides on roads, lanes and smooth tracks. We fit 50 mm wide tyres with reflective sidewalls and puncture protection that will get you to your destination quickly and safely.

4

INTERNAL CABLE ROUTING / SMART ENTRY

We feature internal cable routing on all our eSPRESSO models. Cables are routed through the frame, entering and exiting through smooth sockets. Only a clever system for our internal guiding and fixing guarantees reliable and rattle free routing and gives the bike a cleaner look.

eSPRESSO 800 EQ

MATT ANTHRACITE/BLACK

LITE III HFS-hydroforming Prolite 66 triple butted aluminium frame with internal 630 Wh battery technology, based around fast-rolling 700c wheels and with commuting and leisure riding in mind. A higher front end and a compact geometry make for a more upright and extremely comfortable riding position. Frame features the new 'Energy Guard Twist and comes equipped with mudguards, rear rack, side stand, lock and lights.

| URBAN | COMMUTING | TOUR | LEISURE |



| | |
|-----------------------|------------------------------------------------------------------------------------------------------------------------------|
| FRAME | eSPRESSO LITE III HG, material: aluminium, 700x50C (with fender) max. wheelsize, 142x12mm axle standard, intube, max. 630 Wh |
| FRAME SIZE | XS, S, M, L, XL, eSPRESSO L XS(43L)-S(47L)-M(51L)-L(55L) |
| FORK | Suntour NCX LO, Air, 63mm suspension travel, Tapered, 700x50C max. wheelsize |
| BRAKES | Shimano Deore T6000 |
| ROTORS | Shimano RT30 / Shimano RTEM300 |
| HEADSET | MERIDA CAP w/ wire gateway |
| HANDLEBAR | MERIDA EXPERT TK, material: aluminium, 660mm width, 15mm rise |
| HANDLEBAR STEM | MERIDA EXPERT CT, material: aluminium, 31.8mm diameter, adjustable, 90 mm-XS/S/M, 110 mm-L/XL |
| GRIP | MERIDA EXPERT TK |
| SHIFTERS | Shimano SW-E6010-R |
| SEAT POST | MERIDA EXPERT CC, material: aluminium, 34.9mm diameter, 0mm setback |
| SEAT CLAMP | MERIDA EXPERT |
| SADDLE | MERIDA EXPERT TK, V-mount, incl. MERIDA minitool |
| PEDAL | VP VPE-889 |
| CHAIN | KMC Z1eHX EPT |
| CHAINGUARD | Sunnywheel SW-CG-173A |

| | |
|---------------------|-----------------------------------------------------------------------------------------------|
| CHAINWHEEL | Samox P203, 38 teeth, MERIDA EXPERT TK |
| FREEWHEEL | Shimano CS-C7000, 27 teeth |
| RIM | MERIDA COMP TK, 20mm inner width, material: aluminium |
| HUBS | Shimano MT400 / Shimano Nexus Inter-5E |
| SPOKES | Black stainless |
| TIRES | Continental Contact Cruiser |
| LIGHTS | LEZYNE E-BIKE MINI STVZO E65 / Spanninga Commuter Glow XE integrated in MERIDA MIK HD carrier |
| CARRIER | MERIDA MIK HD Carrier with Spring clip & Spanninga rear light |
| FENDER | Sunnywheel SW-FA311-60E1 (MSB) |
| KICKSTAND | Massload CL-KA98 |
| FRAME LOCK | Abus 5650 LH-3 lock |
| BATTERY LOCK | Abus Key |
| DRIVE UNIT | Shimano EP8, 85Nm |
| BATTERY | Shimano E8036, 630Wh |
| DISPLAY | Shimano SC-E6100 |



eSPRESSO 800 EQ

DARK BLUE/BLACK

LITE III HFS-hydroforming Prolite 66 triple butted aluminium frame with internal 630 Wh battery technology, based around fast-rolling 700c wheels and with commuting and leisure riding in mind. A higher front end and a compact geometry make for a more upright and extremely comfortable riding position. Frame features the new 'Energy Guard Twist and comes equipped with mudguards, rear rack, side stand, lock and lights.

| URBAN | COMMUTING | TOUR | LEISURE |



| | |
|-----------------------|------------------------------------------------------------------------------------------------------------------------------|
| FRAME | eSPRESSO LITE III HG, material: aluminium, 700x50C (with fender) max. wheelsize, 142x12mm axle standard, intube, max. 630 Wh |
| FRAME SIZE | XS, S, M, L, XL, eSPRESSO L XS(43L)-S(47L)-M(51L)-L(55L) |
| FORK | Suntour NCX LO, Air, 63mm suspension travel, Tapered, 700x50C max. wheelsize |
| BRAKES | Shimano Deore T6000 |
| ROTORS | Shimano RT30 / Shimano RTEM300 |
| HEADSET | MERIDA CAP w/ wire gateway |
| HANDLEBAR | MERIDA EXPERT TK, material: aluminium, 660mm width, 15mm rise |
| HANDLEBAR STEM | MERIDA EXPERT CT, material: aluminium, 31.8mm diameter, adjustable, 90 mm-XS/S/M, 110 mm-L/XL |
| GRIP | MERIDA EXPERT TK |
| SHIFTERS | Shimano SW-E6010-R |
| SEAT POST | MERIDA EXPERT CC, material: aluminium, 34.9mm diameter, 0mm setback |
| SEAT CLAMP | MERIDA EXPERT |
| SADDLE | MERIDA EXPERT TK, V-mount, incl. MERIDA minitool |
| PEDAL | VP VPE-889 |
| CHAIN | KMC Z1eHX EPT |
| CHAINGUARD | Sunnywheel SW-CG-173A |

| | |
|---------------------|-----------------------------------------------------------------------------------------------|
| CHAINWHEEL | Samox P203, 38 teeth, MERIDA EXPERT TK |
| FREEWHEEL | Shimano CS-C7000, 27 teeth |
| RIM | MERIDA COMP TK, 20mm inner width, material: aluminium |
| HUBS | Shimano MT400 / Shimano Nexus Inter-5E |
| SPOKES | Black stainless |
| TIRES | Continental Contact Cruiser |
| LIGHTS | LEZYNE E-BIKE MINI STVZO E65 / Spanninga Commuter Glow XE integrated in MERIDA MIK HD carrier |
| CARRIER | MERIDA MIK HD Carrier with Spring clip & Spanninga rear light |
| FENDER | Sunnywheel SW-FA311-60E1 (MSB) |
| KICKSTAND | Massload CL-KA98 |
| FRAME LOCK | Abus 5650 LH-3 lock |
| BATTERY LOCK | Abus Key |
| DRIVE UNIT | Shimano EP8, 85Nm |
| BATTERY | Shimano E8036, 630Wh |
| DISPLAY | Shimano SC-E6100 |



eSPRESSO L 800 EQ

MATT ANTHRACITE/BLACK

LITE III HFS-hydroforming Prolite 66 triple butted aluminium frame with internal 630 Wh battery technology, based around fast-rolling 700c wheels and with commuting and leisure riding in mind. A higher front end and a compact geometry make for a more upright and extremely comfortable riding position. Frame features the new 'Energy Guard Twist and comes equipped with mudguards, rear rack, side stand, lock and lights.

| URBAN | COMMUTING | TOUR | LEISURE |



| | |
|-----------------------|--------------------------------------------------------------------------------------------------------------------------------|
| FRAME | eSPRESSO L LITE III HG, material: aluminium, 700x50C (with fender) max. wheelsize, 142x12mm axle standard, intube, max. 630 Wh |
| FRAME SIZE | XS, S, M, L, eSPRESSO L XS(43L)-S(47L)-M(51L)-L(55L) |
| FORK | Suntour NCX LO, Air, 63mm suspension travel, Tapered, 700x50C max. wheelsize |
| BRAKES | Shimano Deore T6000 |
| ROTORS | Shimano RT30 / Shimano RTE300 |
| HEADSET | MERIDA CAP w/ wire gateway |
| HANDLEBAR | MERIDA EXPERT TK, material: aluminium, 660mm width, 15mm rise |
| HANDLEBAR STEM | MERIDA EXPERT CT, material: aluminium, 31.8mm diameter, adjustable, 90 mm-XS/S/M, 110 mm-L/XL |
| GRIP | MERIDA EXPERT TK |
| SHIFTERS | Shimano SW-E6010-R |
| SEAT POST | MERIDA EXPERT CC, material: aluminium, 34.9mm diameter, 0mm setback |
| SEAT CLAMP | MERIDA EXPERT |
| SADDLE | MERIDA EXPERT TK, V-mount, incl. MERIDA minitool |
| PEDAL | VP VPE-889 |
| CHAIN | KMC Z1eHX EPT |
| CHAINGUARD | Sunnywheel SW-CG-173A |

| | |
|---------------------|-----------------------------------------------------------------------------------------------|
| CHAINWHEEL | Samox P203, 38 teeth, MERIDA EXPERT TK |
| FREEWHEEL | Shimano CS-C7000, 27 teeth |
| RIM | MERIDA COMP TK, 20mm inner width, material: aluminium |
| HUBS | Shimano MT400 / Shimano Nexus Inter-5E |
| SPOKES | Black stainless |
| TIRES | Continental Contact Cruiser |
| LIGHTS | LEZYNE E-BIKE MINI STVZO E65 / Spanninga Commuter Glow XE integrated in MERIDA MIK HD carrier |
| CARRIER | MERIDA MIK HD Carrier with Spring clip & Spanninga rear light |
| FENDER | Sunnywheel SW-FA311-60E1 (MSB) |
| KICKSTAND | Massload CL-KA98 |
| FRAME LOCK | Abus 5650 LH-3 lock |
| BATTERY LOCK | Abus Key |
| DRIVE UNIT | Shimano EP8, 85Nm |
| BATTERY | Shimano E8036, 630Wh |
| DISPLAY | Shimano SC-E6100 |



eSPRESSO L 800 EQ

DARK BLUE/BLACK

LITE III HFS-hydroforming Prolite 66 triple butted aluminium frame with internal 630 Wh battery technology, based around fast-rolling 700c wheels and with commuting and leisure riding in mind. A higher front end and a compact geometry make for a more upright and extremely comfortable riding position. Frame features the new 'Energy Guard Twist and comes equipped with mudguards, rear rack, side stand, lock and lights.

| URBAN | COMMUTING | TOUR | LEISURE |



| | |
|-----------------------|--------------------------------------------------------------------------------------------------------------------------------|
| FRAME | eSPRESSO L LITE III HG, material: aluminium, 700x50C (with fender) max. wheelsize, 142x12mm axle standard, intube, max. 630 Wh |
| FRAME SIZE | XS, S, M, L, eSPRESSO L XS(43L)-S(47L)-M(51L)-L(55L) |
| FORK | Suntour NCX LO, Air, 63mm suspension travel, Tapered, 700x50C max. wheelsize |
| BRAKES | Shimano Deore T6000 |
| ROTORS | Shimano RT30 / Shimano RTE300 |
| HEADSET | MERIDA CAP w/ wire gateway |
| HANDLEBAR | MERIDA EXPERT TK, material: aluminium, 660mm width, 15mm rise |
| HANDLEBAR STEM | MERIDA EXPERT CT, material: aluminium, 31.8mm diameter, adjustable, 90 mm-XS/S/M, 110 mm-L/XL |
| GRIP | MERIDA EXPERT TK |
| SHIFTERS | Shimano SW-E6010-R |
| SEAT POST | MERIDA EXPERT CC, material: aluminium, 34.9mm diameter, 0mm setback |
| SEAT CLAMP | MERIDA EXPERT |
| SADDLE | MERIDA EXPERT TK, V-mount, incl. MERIDA minitool |
| PEDAL | VP VPE-889 |
| CHAIN | KMC Z1eHX EPT |
| CHAINGUARD | Sunnywheel SW-CG-173A |

| | |
|---------------------|-----------------------------------------------------------------------------------------------|
| CHAINWHEEL | Samox P203, 38 teeth, MERIDA EXPERT TK |
| FREEWHEEL | Shimano CS-C7000, 27 teeth |
| RIM | MERIDA COMP TK, 20mm inner width, material: aluminium |
| HUBS | Shimano MT400 / Shimano Nexus Inter-5E |
| SPOKES | Black stainless |
| TIRES | Continental Contact Cruiser |
| LIGHTS | LEZYNE E-BIKE MINI STVZO E65 / Spanninga Commuter Glow XE integrated in MERIDA MIK HD carrier |
| CARRIER | MERIDA MIK HD Carrier with Spring clip & Spanninga rear light |
| FENDER | Sunnywheel SW-FA311-60E1 (MSB) |
| KICKSTAND | Massload CL-KA98 |
| FRAME LOCK | Abus 5650 LH-3 lock |
| BATTERY LOCK | Abus Key |
| DRIVE UNIT | Shimano EP8, 85Nm |
| BATTERY | Shimano E8036, 630Wh |
| DISPLAY | Shimano SC-E6100 |



eSPRESSO EP8-EDITION EQ

MATT ANTHRACITE/BLACK

LITE III HFS-hydroforming Prolite 66 triple butted aluminium frame with internal 630 Wh battery technology, based around fast-rolling 700c wheels and with commuting and leisure riding in mind. A higher front end and a compact geometry make for a more upright and extremely comfortable riding position. Frame features the new 'Energy Guard Twist and comes equipped with mudguards, rear rack, side stand, lock and lights.

| URBAN | COMMUTING | TOUR | LEISURE |



| | |
|-----------------------|---------------------------------------------------------------------------------------------------------------------------|
| FRAME | eSPRESSO LITE III, material: aluminium, 700x50C (with fender) max. wheelsize, 142x12mm axle standard, intube, max. 630 Wh |
| FRAME SIZE | XS, S, M, L, XL, eSPRESSO L XS(43L)-S(47L)-M(51L)-L(55L) |
| FORK | Suntour NCX LO, Air, 63mm suspension travel, Tapered, 700x50C max. wheelsize |
| BRAKES | Shimano Deore T6000 |
| ROTORS | Shimano RT30 / Shimano RTE300 |
| HEADSET | MERIDA CAP w/ wire gateway |
| HANDLEBAR | MERIDA EXPERT TK, material: aluminium, 660mm width, 15mm rise |
| HANDLEBAR STEM | MERIDA EXPERT CT, material: aluminium, 31.8mm diameter, adjustable, 90 mm-XS/S/M, 110 mm-L/XL |
| GRIP | MERIDA EXPERT TK |
| DERAILLEUR (R) | Shimano Deore M5100, SGS |
| SHIFTERS | Shimano Deore M5100 |
| SEAT POST | MERIDA EXPERT CC, material: aluminium, 34.9mm diameter, 0mm setback |
| SEAT CLAMP | MERIDA EXPERT |
| PEDAL | VP VPE-889 |
| CHAIN | KMC e11S EPT |
| CHAINGUARD | Sunnywheel SW-CG-173A |

| | |
|---------------------|-----------------------------------------------------------------------------------------------|
| CHAINWHEEL | Samox NWP203, 38 teeth, MERIDA EXPERT TK |
| FREEWHEEL | Shimano M5100, 11-51 teeth, 11 speed |
| RIM | MERIDA COMP TK, 20mm inner width, material: aluminium |
| HUBS | Shimano Deore |
| SPOKES | Black stainless |
| TIRES | Continental Contact Cruiser |
| LIGHTS | LEZYNE E-BIKE MINI STVZO E65 / Spanninga Commuter Glow XE integrated in MERIDA MIK HD carrier |
| CARRIER | MERIDA MIK HD Carrier with Spring clip & Spanninga rear light |
| FENDER | Sunnywheel SW-FA311-60E1 (MSB) |
| KICKSTAND | Massload CL-KA98 |
| FRAME LOCK | Abus 5650 LH-3 lock |
| BATTERY LOCK | Abus Key |
| DRIVE UNIT | Shimano EP8, 85Nm |
| BATTERY | Shimano E8036, 630Wh |
| DISPLAY | Shimano SC-E5003 |



eSPRESSO EP8-EDITION EQ

RED/BLACK

LITE III HFS-hydroforming Prolite 66 triple butted aluminium frame with internal 630 Wh battery technology, based around fast-rolling 700c wheels and with commuting and leisure riding in mind. A higher front end and a compact geometry make for a more upright and extremely comfortable riding position. Frame features the new 'Energy Guard Twist and comes equipped with mudguards, rear rack, side stand, lock and lights.

| URBAN | COMMUTING | TOUR | LEISURE |



| | |
|-----------------------|---------------------------------------------------------------------------------------------------------------------------|
| FRAME | eSPRESSO LITE III, material: aluminium, 700x50C (with fender) max. wheelsize, 142x12mm axle standard, intube, max. 630 Wh |
| FRAME SIZE | XS, S, M, L, XL, eSPRESSO L XS(43L)-S(47L)-M(51L)-L(55L) |
| FORK | Suntour NCX LO, Air, 63mm suspension travel, Tapered, 700x50C max. wheelsize |
| BRAKES | Shimano Deore T6000 |
| ROTORS | Shimano RT30 / Shimano RTE300 |
| HEADSET | MERIDA CAP w/ wire gateway |
| HANDLEBAR | MERIDA EXPERT TK, material: aluminium, 660mm width, 15mm rise |
| HANDLEBAR STEM | MERIDA EXPERT CT, material: aluminium, 31.8mm diameter, adjustable, 90 mm-XS/S/M, 110 mm-L/XL |
| GRIP | MERIDA EXPERT TK |
| DERAILLEUR (R) | Shimano Deore M5100, SGS |
| SHIFTERS | Shimano Deore M5100 |
| SEAT POST | MERIDA EXPERT CC, material: aluminium, 34.9mm diameter, 0mm setback |
| SEAT CLAMP | MERIDA EXPERT |
| PEDAL | VP VPE-889 |
| CHAIN | KMC e11S EPT |
| CHAINGUARD | Sunnywheel SW-CG-173A |

| | |
|---------------------|-----------------------------------------------------------------------------------------------|
| CHAINWHEEL | Samox NWP203, 38 teeth, MERIDA EXPERT TK |
| FREEWHEEL | Shimano M5100, 11-51 teeth, 11 speed |
| RIM | MERIDA COMP TK, 20mm inner width, material: aluminium |
| HUBS | Shimano Deore |
| SPOKES | Black stainless |
| TIRES | Continental Contact Cruiser |
| LIGHTS | LEZYNE E-BIKE MINI STVZO E65 / Spanninga Commuter Glow XE integrated in MERIDA MIK HD carrier |
| CARRIER | MERIDA MIK HD Carrier with Spring clip & Spanninga rear light |
| FENDER | Sunnywheel SW-FA311-60E1 (MSB) |
| KICKSTAND | Massload CL-KA98 |
| FRAME LOCK | Abus 5650 LH-3 lock |
| BATTERY LOCK | Abus Key |
| DRIVE UNIT | Shimano EP8, 85Nm |
| BATTERY | Shimano E8036, 630Wh |
| DISPLAY | Shimano SC-E5003 |



eSPRESSO L EP8-EDITION EQ

MATT ANTHRACITE/BLACK

LITE III HFS-hydroforming Prolite 66 triple butted aluminium frame with internal 630 Wh battery technology, based around fast-rolling 700c wheels and with commuting and leisure riding in mind. A higher front end and a compact geometry make for a more upright and extremely comfortable riding position. Frame features the new 'Energy Guard Twist and comes equipped with mudguards, rear rack, side stand, lock and lights.

| URBAN | COMMUTING | TOUR | LEISURE |



| | |
|-----------------------|-----------------------------------------------------------------------------------------------------------------------------|
| FRAME | eSPRESSO L LITE III, material: aluminium, 700x50C (with fender) max. wheelsize, 142x12mm axle standard, intube, max. 630 Wh |
| FRAME SIZE | XS, S, M, L, eSPRESSO L XS(43L)-S(47L)-M(51L)-L(55L) |
| FORK | Suntour NCX LO, Air, 63mm suspension travel, Tapered, 700x50C max. wheelsize |
| BRAKES | Shimano Deore T6000 |
| ROTORS | Shimano RT30 / Shimano RTEM300 |
| HEADSET | MERIDA CAP w/ wire gateway |
| HANDLEBAR | MERIDA EXPERT TK, material: aluminium, 660mm width, 15mm rise |
| HANDLEBAR STEM | MERIDA EXPERT CT, material: aluminium, 31.8mm diameter, adjustable, 90 mm-XS/S/M, 110 mm-L/XL |
| GRIP | MERIDA EXPERT TK |
| DERAILLEUR (R) | Shimano Deore M5100, SGS |
| SHIFTERS | Shimano Deore M5100 |
| SEAT POST | MERIDA EXPERT CC, material: aluminium, 34.9mm diameter, 0mm setback |
| SEAT CLAMP | MERIDA EXPERT |
| SADDLE | MERIDA EXPERT TK, V-mount, incl. MERIDA minitool |
| PEDAL | VP VPE-889 |
| CHAIN | KMC e11S EPT |

| | |
|---------------------|-----------------------------------------------------------------------------------------------|
| CHAINGUARD | Sunnywheel SW-CG-173A |
| CHAINWHEEL | Samox NWP203, 38 teeth, MERIDA EXPERT TK |
| FREEWHEEL | Shimano M5100, 11-51 teeth, 11 speed |
| RIM | MERIDA COMP TK, 20mm inner width, material: aluminium |
| HUBS | Shimano Deore |
| AXLES | MERIDA EXPERT TR |
| SPOKES | Black stainless |
| TIRES | Continental Contact Cruiser |
| LIGHTS | LEZYNE E-BIKE MINI STVZO E65 / Spanninga Commuter Glow XE integrated in MERIDA MIK HD carrier |
| CARRIER | MERIDA MIK HD Carrier with Spring clip & Spanninga rear light |
| FENDER | Sunnywheel SW-FA311-60E1 (MSB) |
| KICKSTAND | Massload CL-KA98 |
| FRAME LOCK | Abus 5650 LH-3 lock |
| BATTERY LOCK | Abus Key |
| DRIVE UNIT | Shimano EP8, 85Nm |
| BATTERY | Shimano E8036, 630Wh |



eSPRESSO L EP8-EDITION EQ

RED/BLACK

LITE III HFS-hydroforming Prolite 66 triple butted aluminium frame with internal 630 Wh battery technology, based around fast-rolling 700c wheels and with commuting and leisure riding in mind. A higher front end and a compact geometry make for a more upright and extremely comfortable riding position. Frame features the new 'Energy Guard Twist and comes equipped with mudguards, rear rack, side stand, lock and lights.

| URBAN | COMMUTING | TOUR | LEISURE |



| | |
|-----------------------|-----------------------------------------------------------------------------------------------------------------------------|
| FRAME | eSPRESSO L LITE III, material: aluminium, 700x50C (with fender) max. wheelsize, 142x12mm axle standard, intube, max. 630 Wh |
| FRAME SIZE | XS, S, M, L, eSPRESSO L XS(43L)-S(47L)-M(51L)-L(55L) |
| FORK | Suntour NCX LO, Air, 63mm suspension travel, Tapered, 700x50C max. wheelsize |
| BRAKES | Shimano Deore T6000 |
| ROTORS | Shimano RT30 / Shimano RTEM300 |
| HEADSET | MERIDA CAP w/ wire gateway |
| HANDLEBAR | MERIDA EXPERT TK, material: aluminium, 660mm width, 15mm rise |
| HANDLEBAR STEM | MERIDA EXPERT CT, material: aluminium, 31.8mm diameter, adjustable, 90 mm-XS/S/M, 110 mm-L/XL |
| GRIP | MERIDA EXPERT TK |
| DERAILLEUR (R) | Shimano Deore M5100, SGS |
| SHIFTERS | Shimano Deore M5100 |
| SEAT POST | MERIDA EXPERT CC, material: aluminium, 34.9mm diameter, 0mm setback |
| SEAT CLAMP | MERIDA EXPERT |
| SADDLE | MERIDA EXPERT TK, V-mount, incl. MERIDA minitool |
| PEDAL | VP VPE-889 |
| CHAIN | KMC e11S EPT |

| | |
|---------------------|-----------------------------------------------------------------------------------------------|
| CHAINGUARD | Sunnywheel SW-CG-173A |
| CHAINWHEEL | Samox NWP203, 38 teeth, MERIDA EXPERT TK |
| FREEWHEEL | Shimano M5100, 11-51 teeth, 11 speed |
| RIM | MERIDA COMP TK, 20mm inner width, material: aluminium |
| HUBS | Shimano Deore |
| AXLES | MERIDA EXPERT TR |
| SPOKES | Black stainless |
| TIRES | Continental Contact Cruiser |
| LIGHTS | LEZYNE E-BIKE MINI STVZO E65 / Spanninga Commuter Glow XE integrated in MERIDA MIK HD carrier |
| CARRIER | MERIDA MIK HD Carrier with Spring clip & Spanninga rear light |
| FENDER | Sunnywheel SW-FA311-60E1 (MSB) |
| KICKSTAND | Massload CL-KA98 |
| FRAME LOCK | Abus 5650 LH-3 lock |
| BATTERY LOCK | Abus Key |
| DRIVE UNIT | Shimano EP8, 85Nm |
| BATTERY | Shimano E8036, 630Wh |





eSPRESSO 700 EQ

MATT ANTHRACITE/BLACK

LITE III HFS-hydroforming Prolite 66 triple butted aluminium frame with internal 630 Wh battery technology, based around fast-rolling 700c wheels and with commuting and leisure riding in mind. A higher front end and a compact geometry make for a more upright and extremely comfortable riding position. Frame features the new 'Energy Guard Twist and comes equipped with mudguards, rear rack, side stand, lock and lights.

| URBAN | COMMUTING | TOUR | LEISURE |



| | |
|-----------------------|------------------------------------------------------------------------------------------------------------------------------|
| FRAME | eSPRESSO LITE III HG, material: aluminium, 700x50C (with fender) max. wheelsize, 142x12mm axle standard, intube, max. 630 Wh |
| FRAME SIZE | XS, S, M, L, XL, eSPRESSO L XS(43L)-S(47L)-M(51L)-L(55L) |
| FORK | Suntour NEX E25, Coil, 63mm suspension travel, 700x52C max wheelsize |
| BRAKES | Shimano MT402-3A |
| ROTORS | Shimano RT30 / Shimano RTEM300 |
| HEADSET | MERIDA CAP w/ wire gateway |
| HANDLEBAR | MERIDA EXPERT TK, material: aluminium, 660mm width, 15mm rise |
| HANDLEBAR STEM | MERIDA EXPERT CT, material: aluminium, 31.8mm diameter, adjustable, 90 mm-XS/S/M, 110 mm-L/XL |
| GRIP | MERIDA EXPERT TK |
| SHIFTERS | Shimano SW-E6010-R |
| SEAT POST | MERIDA EXPERT CC, material: aluminium, 34.9mm diameter, 0mm setback |
| SEAT CLAMP | MERIDA EXPERT |
| SADDLE | MERIDA EXPERT TK, V-mount |
| PEDAL | VP VPE-891 |
| CHAIN | KMC Z1eHX EPT |
| CHAINGUARD | Sunnywheel SW-CG-173A |

| | |
|---------------------|-----------------------------------------------------------------------------------------|
| CHAINWHEEL | Shimano CRE61, 38 teeth, Shimano FC-E6100 |
| FREEWHEEL | Shimano CS-C7000, 27 teeth |
| RIM | MERIDA COMP TK, 20mm inner width, material: aluminium |
| HUBS | Shimano M4050 / Shimano Nexus Inter-5E |
| SPOKES | Black stainless |
| TIRES | Continental Contact Cruiser |
| LIGHTS | Herrmans H-Black MR4 E / Spanninga Commuter Glow XE integrated in MERIDA MIK HD carrier |
| CARRIER | MERIDA MIK HD Carrier with Spring clip & Spanninga rear light |
| FENDER | Sunnywheel SW-FA311-60E1 (MSB) |
| KICKSTAND | Massload CL-KA98 |
| FRAME LOCK | Abus 5650 LH-3 lock |
| BATTERY LOCK | Abus Key |
| DRIVE UNIT | Shimano E6100, 60Nm |
| BATTERY | Shimano E8036, 630Wh |
| DISPLAY | Shimano SC-E6100 |



eSPRESSO 700 EQ

TEAL BLUE/BLACK

LITE III HFS-hydroforming Prolite 66 triple butted aluminium frame with internal 630 Wh battery technology, based around fast-rolling 700c wheels and with commuting and leisure riding in mind. A higher front end and a compact geometry make for a more upright and extremely comfortable riding position. Frame features the new 'Energy Guard Twist and comes equipped with mudguards, rear rack, side stand, lock and lights.

| URBAN | COMMUTING | TOUR | LEISURE |



| | |
|-----------------------|------------------------------------------------------------------------------------------------------------------------------|
| FRAME | eSPRESSO LITE III HG, material: aluminium, 700x50C (with fender) max. wheelsize, 142x12mm axle standard, intube, max. 630 Wh |
| FRAME SIZE | XS, S, M, L, XL, eSPRESSO L XS(43L)-S(47L)-M(51L)-L(55L) |
| FORK | Suntour NEX E25, Coil, 63mm suspension travel, 700x52C max wheelsize |
| BRAKES | Shimano MT402-3A |
| ROTORS | Shimano RT30 / Shimano RTEM300 |
| HEADSET | MERIDA CAP w/ wire gateway |
| HANDLEBAR | MERIDA EXPERT TK, material: aluminium, 660mm width, 15mm rise |
| HANDLEBAR STEM | MERIDA EXPERT CT, material: aluminium, 31.8mm diameter, adjustable, 90 mm-XS/S/M, 110 mm-L/XL |
| GRIP | MERIDA EXPERT TK |
| SHIFTERS | Shimano SW-E6010-R |
| SEAT POST | MERIDA EXPERT CC, material: aluminium, 34.9mm diameter, 0mm setback |
| SEAT CLAMP | MERIDA EXPERT |
| SADDLE | MERIDA EXPERT TK, V-mount |
| PEDAL | VP VPE-891 |
| CHAIN | KMC Z1eHX EPT |
| CHAINGUARD | Sunnywheel SW-CG-173A |

| | |
|---------------------|-----------------------------------------------------------------------------------------|
| CHAINWHEEL | Shimano CRE61, 38 teeth, Shimano FC-E6100 |
| FREEWHEEL | Shimano CS-C7000, 27 teeth |
| RIM | MERIDA COMP TK, 20mm inner width, material: aluminium |
| HUBS | Shimano M4050 / Shimano Nexus Inter-5E |
| SPOKES | Black stainless |
| TIRES | Continental Contact Cruiser |
| LIGHTS | Herrmans H-Black MR4 E / Spanninga Commuter Glow XE integrated in MERIDA MIK HD carrier |
| CARRIER | MERIDA MIK HD Carrier with Spring clip & Spanninga rear light |
| FENDER | Sunnywheel SW-FA311-60E1 (MSB) |
| KICKSTAND | Massload CL-KA98 |
| FRAME LOCK | Abus 5650 LH-3 lock |
| BATTERY LOCK | Abus Key |
| DRIVE UNIT | Shimano E6100, 60Nm |
| BATTERY | Shimano E8036, 630Wh |
| DISPLAY | Shimano SC-E6100 |



eSPRESSO 700 EQ

SILK BRONZE/BLACK

LITE III HFS-hydroforming Prolite 66 triple butted aluminium frame with internal 630 Wh battery technology, based around fast-rolling 700c wheels and with commuting and leisure riding in mind. A higher front end and a compact geometry make for a more upright and extremely comfortable riding position. Frame features the new 'Energy Guard Twist and comes equipped with mudguards, rear rack, side stand, lock and lights.

| URBAN | COMMUTING | TOUR | LEISURE |



| | |
|-----------------------|------------------------------------------------------------------------------------------------------------------------------|
| FRAME | eSPRESSO LITE III HG, material: aluminium, 700x50C (with fender) max. wheelsize, 142x12mm axle standard, intube, max. 630 Wh |
| FRAME SIZE | XS, S, M, L, XL, eSPRESSO L XS(43L)-S(47L)-M(51L)-L(55L) |
| FORK | Suntour NEX E25, Coil, 63mm suspension travel, 700x52C max wheelsize |
| BRAKES | Shimano MT402-3A |
| ROTORS | Shimano RT30 / Shimano RTEM300 |
| HEADSET | MERIDA CAP w/ wire gateway |
| HANDLEBAR | MERIDA EXPERT TK, material: aluminium, 660mm width, 15mm rise |
| HANDLEBAR STEM | MERIDA EXPERT CT, material: aluminium, 31.8mm diameter, adjustable, 90 mm-XS/S/M, 110 mm-L/XL |
| GRIP | MERIDA EXPERT TK |
| SHIFTERS | Shimano SW-E6010-R |
| SEAT POST | MERIDA EXPERT CC, material: aluminium, 34.9mm diameter, 0mm setback |
| SEAT CLAMP | MERIDA EXPERT |
| SADDLE | MERIDA EXPERT TK, V-mount |
| PEDAL | VP VPE-891 |
| CHAIN | KMC Z1eHX EPT |
| CHAINGUARD | Sunnywheel SW-CG-173A |

| | |
|---------------------|-----------------------------------------------------------------------------------------|
| CHAINWHEEL | Shimano CRE61, 38 teeth, Shimano FC-E6100 |
| FREEWHEEL | Shimano CS-C7000, 27 teeth |
| RIM | MERIDA COMP TK, 20mm inner width, material: aluminium |
| HUBS | Shimano M4050 / Shimano Nexus Inter-5E |
| SPOKES | Black stainless |
| TIRES | Continental Contact Cruiser |
| LIGHTS | Herrmans H-Black MR4 E / Spanninga Commuter Glow XE integrated in MERIDA MIK HD carrier |
| CARRIER | MERIDA MIK HD Carrier with Spring clip & Spanninga rear light |
| FENDER | Sunnywheel SW-FA311-60E1 (MSB) |
| KICKSTAND | Massload CL-KA98 |
| FRAME LOCK | Abus 5650 LH-3 lock |
| BATTERY LOCK | Abus Key |
| DRIVE UNIT | Shimano E6100, 60Nm |
| BATTERY | Shimano E8036, 630Wh |
| DISPLAY | Shimano SC-E6100 |



eSPRESSO L 700 EQ

MATT ANTHRACITE/BLACK

LITE III HFS-hydroforming Prolite 66 triple butted aluminium frame with internal 630 Wh battery technology, based around fast-rolling 700c wheels and with commuting and leisure riding in mind. A higher front end and a compact geometry make for a more upright and extremely comfortable riding position. Frame features the new 'Energy Guard Twist and comes equipped with mudguards, rear rack, side stand, lock and lights.

| URBAN | COMMUTING | TOUR | LEISURE |



| | |
|-----------------------|--------------------------------------------------------------------------------------------------------------------------------|
| FRAME | eSPRESSO L LITE III HG, material: aluminium, 700x50C (with fender) max. wheelsize, 142x12mm axle standard, intube, max. 630 Wh |
| FRAME SIZE | XS, S, M, L, XL, eSPRESSO L XS(43L)-S(47L)-M(51L)-L(55L) |
| FORK | Suntour NEX E25, Coil, 63mm suspension travel, 700x52C max wheelsize |
| BRAKES | Shimano MT402-3A |
| ROTORS | Shimano RT30 / Shimano RTEM300 |
| HEADSET | MERIDA CAP w/ wire gateway |
| HANDLEBAR | MERIDA EXPERT TK, material: aluminium, 660mm width, 15mm rise |
| HANDLEBAR STEM | MERIDA EXPERT CT, material: aluminium, 31.8mm diameter, adjustable, 90 mm-XS/S/M, 110 mm-L/XL |
| GRIP | MERIDA EXPERT TK |
| SHIFTERS | Shimano SW-E6010-R |
| SEAT POST | MERIDA EXPERT CC, material: aluminium, 34.9mm diameter, 0mm setback |
| SEAT CLAMP | MERIDA EXPERT |
| SADDLE | MERIDA EXPERT TK, V-mount |
| PEDAL | VP VPE-891 |
| CHAIN | KMC Z1eHX EPT |
| CHAINGUARD | Sunnywheel SW-CG-173A |

| | |
|---------------------|-----------------------------------------------------------------------------------------|
| CHAINWHEEL | Shimano CRE61, 38 teeth, Shimano FC-E6100 |
| FREEWHEEL | Shimano CS-C7000, 27 teeth |
| RIM | MERIDA COMP TK, 20mm inner width, material: aluminium |
| HUBS | Shimano M4050 / Shimano Nexus Inter-5E |
| SPOKES | Black stainless |
| TIRES | Continental Contact Cruiser |
| LIGHTS | Herrmans H-Black MR4 E / Spanninga Commuter Glow XE integrated in MERIDA MIK HD carrier |
| CARRIER | MERIDA MIK HD Carrier with Spring clip & Spanninga rear light |
| FENDER | Sunnywheel SW-FA311-60E1 (MSB) |
| KICKSTAND | Massload CL-KA98 |
| FRAME LOCK | Abus 5650 LH-3 lock |
| BATTERY LOCK | Abus Key |
| DRIVE UNIT | Shimano E6100, 60Nm |
| BATTERY | Shimano E8036, 630Wh |
| DISPLAY | Shimano SC-E6100 |



eSPRESSO L 700 EQ

TEAL BLUE/BLACK

LITE III HFS-hydroforming Prolite 66 triple butted aluminium frame with internal 630 Wh battery technology, based around fast-rolling 700c wheels and with commuting and leisure riding in mind. A higher front end and a compact geometry make for a more upright and extremely comfortable riding position. Frame features the new 'Energy Guard Twist and comes equipped with mudguards, rear rack, side stand, lock and lights.

| URBAN | COMMUTING | TOUR | LEISURE |



| | |
|-----------------------|--------------------------------------------------------------------------------------------------------------------------------|
| FRAME | eSPRESSO L LITE III HG, material: aluminium, 700x50C (with fender) max. wheelsize, 142x12mm axle standard, intube, max. 630 Wh |
| FRAME SIZE | XS, S, M, L, eSPRESSO L XS(43L)-S(47L)-M(51L)-L(55L) |
| FORK | Suntour NEX E25, Coil, 63mm suspension travel, 700x52C max wheelsize |
| BRAKES | Shimano MT402-3A |
| ROTORS | Shimano RT30 / Shimano RTE300 |
| HEADSET | MERIDA CAP w/ wire gateway |
| HANDLEBAR | MERIDA EXPERT TK, material: aluminium, 660mm width, 15mm rise |
| HANDLEBAR STEM | MERIDA EXPERT CT, material: aluminium, 31.8mm diameter, adjustable, 90 mm-XS/S/M, 110 mm-L/XL |
| GRIP | MERIDA EXPERT TK |
| SHIFTERS | Shimano SW-E6010-R |
| SEAT POST | MERIDA EXPERT CC, material: aluminium, 34.9mm diameter, 0mm setback |
| SEAT CLAMP | MERIDA EXPERT |
| SADDLE | MERIDA EXPERT TK, V-mount |
| PEDAL | VP VPE-891 |
| CHAIN | KMC Z1eHX EPT |
| CHAINGUARD | Sunnywheel SW-CG-173A |

| | |
|---------------------|-----------------------------------------------------------------------------------------|
| CHAINWHEEL | Shimano CRE61, 38 teeth, Shimano FC-E6100 |
| FREEWHEEL | Shimano CS-C7000, 27 teeth |
| RIM | MERIDA COMP TK, 20mm inner width, material: aluminium |
| HUBS | Shimano M4050 / Shimano Nexus Inter-5E |
| SPOKES | Black stainless |
| TIRES | Continental Contact Cruiser |
| LIGHTS | Herrmans H-Black MR4 E / Spanninga Commuter Glow XE integrated in MERIDA MIK HD carrier |
| CARRIER | MERIDA MIK HD Carrier with Spring clip & Spanninga rear light |
| FENDER | Sunnywheel SW-FA311-60E1 (MSB) |
| KICKSTAND | Massload CL-KA98 |
| FRAME LOCK | Abus 5650 LH-3 lock |
| BATTERY LOCK | Abus Key |
| DRIVE UNIT | Shimano E6100, 60Nm |
| BATTERY | Shimano E8036, 630Wh |
| DISPLAY | Shimano SC-E6100 |



eSPRESSO L 700 EQ

SILK BRONZE/BLACK

LITE III HFS-hydroforming Prolite 66 triple butted aluminium frame with internal 630 Wh battery technology, based around fast-rolling 700c wheels and with commuting and leisure riding in mind. A higher front end and a compact geometry make for a more upright and extremely comfortable riding position. Frame features the new 'Energy Guard Twist and comes equipped with mudguards, rear rack, side stand, lock and lights.

| URBAN | COMMUTING | TOUR | LEISURE |



| | |
|-----------------------|--------------------------------------------------------------------------------------------------------------------------------|
| FRAME | eSPRESSO L LITE III HG, material: aluminium, 700x50C (with fender) max. wheelsize, 142x12mm axle standard, intube, max. 630 Wh |
| FRAME SIZE | XS, S, M, L, eSPRESSO L XS(43L)-S(47L)-M(51L)-L(55L) |
| FORK | Suntour NEX E25, Coil, 63mm suspension travel, 700x52C max wheelsize |
| BRAKES | Shimano MT402-3A |
| ROTORS | Shimano RT30 / Shimano RTE300 |
| HEADSET | MERIDA CAP w/ wire gateway |
| HANDLEBAR | MERIDA EXPERT TK, material: aluminium, 660mm width, 15mm rise |
| HANDLEBAR STEM | MERIDA EXPERT CT, material: aluminium, 31.8mm diameter, adjustable, 90 mm-XS/S/M, 110 mm-L/XL |
| GRIP | MERIDA EXPERT TK |
| SHIFTERS | Shimano SW-E6010-R |
| SEAT POST | MERIDA EXPERT CC, material: aluminium, 34.9mm diameter, 0mm setback |
| SEAT CLAMP | MERIDA EXPERT |
| SADDLE | MERIDA EXPERT TK, V-mount |
| PEDAL | VP VPE-891 |
| CHAIN | KMC Z1eHX EPT |
| CHAINGUARD | Sunnywheel SW-CG-173A |

| | |
|---------------------|-----------------------------------------------------------------------------------------|
| CHAINWHEEL | Shimano CRE61, 38 teeth, Shimano FC-E6100 |
| FREEWHEEL | Shimano CS-C7000, 27 teeth |
| RIM | MERIDA COMP TK, 20mm inner width, material: aluminium |
| HUBS | Shimano M4050 / Shimano Nexus Inter-5E |
| SPOKES | Black stainless |
| TIRES | Continental Contact Cruiser |
| LIGHTS | Herrmans H-Black MR4 E / Spanninga Commuter Glow XE integrated in MERIDA MIK HD carrier |
| CARRIER | MERIDA MIK HD Carrier with Spring clip & Spanninga rear light |
| FENDER | Sunnywheel SW-FA311-60E1 (MSB) |
| KICKSTAND | Massload CL-KA98 |
| FRAME LOCK | Abus 5650 LH-3 lock |
| BATTERY LOCK | Abus Key |
| DRIVE UNIT | Shimano E6100, 60Nm |
| BATTERY | Shimano E8036, 630Wh |
| DISPLAY | Shimano SC-E6100 |



eSPRESSO 600 EQ

MATT ANTHRACITE/BLACK

LITE III HFS-hydroforming Prolite 66 triple butted aluminium frame with internal 630 Wh battery technology, based around fast-rolling 700c wheels and with commuting and leisure riding in mind. A higher front end and a compact geometry make for a more upright and extremely comfortable riding position. Frame features the new 'Energy Guard Twist' and comes equipped with mudguards, rear rack, side stand, lock and lights.

| URBAN | COMMUTING | TOUR | LEISURE |



| | |
|-----------------------|---------------------------------------------------------------------------------------------------------------------------|
| FRAME | eSPRESSO LITE III, material: aluminium, 700x50C (with fender) max. wheelsize, 142x12mm axle standard, intube, max. 630 Wh |
| FRAME SIZE | XS, S, M, L, XL, eSPRESSO L XS(43L)-S(47L)-M(51L)-L(55L) |
| FORK | Suntour NEX E25, Coil, 63mm suspension travel, 700x52C max wheelsize |
| BRAKES | Shimano MT402-3A |
| ROTORS | Shimano RT30 / Shimano RTE300 |
| HEADSET | MERIDA CAP w/ wire gateway |
| HANDLEBAR | MERIDA EXPERT TK, material: aluminium, 660mm width, 15mm rise |
| HANDLEBAR STEM | MERIDA EXPERT CT, material: aluminium, 31.8mm diameter, adjustable, 90 mm-XS/S/M, 110 mm-L/XL |
| GRIP | MERIDA EXPERT TK |
| DERAILLEUR (R) | Shimano Deore M5100, SGS |
| SHIFTERS | Shimano Deore M5100 |
| SEAT POST | MERIDA EXPERT CC, material: aluminium, 34.9mm diameter, 0mm setback |
| SEAT CLAMP | MERIDA EXPERT |
| SADDLE | MERIDA EXPERT TK, V-mount |
| PEDAL | VP VPE-891 |
| CHAIN | KMC e11S EPT |

| | |
|---------------------|-----------------------------------------------------------------------------------------|
| CHAINGUARD | Sunnywheel SW-CG-173A |
| CHAINWHEEL | Shimano CRE61, 38 teeth, Shimano FC-E6100 |
| FREEWHEEL | Shimano M5100, 11-51 teeth, 11 speed |
| RIM | MERIDA COMP TK, 20mm inner width, material: aluminium |
| HUBS | Shimano Deore |
| AXLES | MERIDA EXPERT TR |
| SPOKES | Black stainless |
| TIRES | Continental Contact Cruiser |
| LIGHTS | Herrmans H-Black MR4 E / Spanninga Commuter Glow XE integrated in MERIDA MIK HD carrier |
| CARRIER | MERIDA MIK HD Carrier with Spring clip & Spanninga rear light |
| FENDER | Sunnywheel SW-FA311-60E1 (MSB) |
| KICKSTAND | Massload CL-KA98 |
| FRAME LOCK | Abus 5650 LH-3 lock |
| BATTERY LOCK | Abus Key |
| DRIVE UNIT | Shimano E6100, 60Nm |
| BATTERY | Shimano E8036, 630Wh |



eSPRESSO 600 EQ

MATT GREEN/BLACK

LITE III HFS-hydroforming Prolite 66 triple butted aluminium frame with internal 630 Wh battery technology, based around fast-rolling 700c wheels and with commuting and leisure riding in mind. A higher front end and a compact geometry make for a more upright and extremely comfortable riding position. Frame features the new 'Energy Guard Twist' and comes equipped with mudguards, rear rack, side stand, lock and lights.

| URBAN | COMMUTING | TOUR | LEISURE |



| | |
|-----------------------|---------------------------------------------------------------------------------------------------------------------------|
| FRAME | eSPRESSO LITE III, material: aluminium, 700x50C (with fender) max. wheelsize, 142x12mm axle standard, intube, max. 630 Wh |
| FRAME SIZE | XS, S, M, L, XL, eSPRESSO L XS(43L)-S(47L)-M(51L)-L(55L) |
| FORK | Suntour NEX E25, Coil, 63mm suspension travel, 700x52C max wheelsize |
| BRAKES | Shimano MT402-3A |
| ROTORS | Shimano RT30 / Shimano RTE300 |
| HEADSET | MERIDA CAP w/ wire gateway |
| HANDLEBAR | MERIDA EXPERT TK, material: aluminium, 660mm width, 15mm rise |
| HANDLEBAR STEM | MERIDA EXPERT CT, material: aluminium, 31.8mm diameter, adjustable, 90 mm-XS/S/M, 110 mm-L/XL |
| GRIP | MERIDA EXPERT TK |
| DERAILLEUR (R) | Shimano Deore M5100, SGS |
| SHIFTERS | Shimano Deore M5100 |
| SEAT POST | MERIDA EXPERT CC, material: aluminium, 34.9mm diameter, 0mm setback |
| SEAT CLAMP | MERIDA EXPERT |
| SADDLE | MERIDA EXPERT TK, V-mount |
| PEDAL | VP VPE-891 |
| CHAIN | KMC e11S EPT |

| | |
|---------------------|-----------------------------------------------------------------------------------------|
| CHAINGUARD | Sunnywheel SW-CG-173A |
| CHAINWHEEL | Shimano CRE61, 38 teeth, Shimano FC-E6100 |
| FREEWHEEL | Shimano M5100, 11-51 teeth, 11 speed |
| RIM | MERIDA COMP TK, 20mm inner width, material: aluminium |
| HUBS | Shimano Deore |
| AXLES | MERIDA EXPERT TR |
| SPOKES | Black stainless |
| TIRES | Continental Contact Cruiser |
| LIGHTS | Herrmans H-Black MR4 E / Spanninga Commuter Glow XE integrated in MERIDA MIK HD carrier |
| CARRIER | MERIDA MIK HD Carrier with Spring clip & Spanninga rear light |
| FENDER | Sunnywheel SW-FA311-60E1 (MSB) |
| KICKSTAND | Massload CL-KA98 |
| FRAME LOCK | Abus 5650 LH-3 lock |
| BATTERY LOCK | Abus Key |
| DRIVE UNIT | Shimano E6100, 60Nm |
| BATTERY | Shimano E8036, 630Wh |



eSPRESSO L 600 EQ

MATT ANTHRACITE/BLACK

LITE III HFS-hydroforming Prolite 66 triple butted aluminium frame with internal 630 Wh battery technology, based around fast-rolling 700c wheels and with commuting and leisure riding in mind. A higher front end and a compact geometry make for a more upright and extremely comfortable riding position. Frame features the new 'Energy Guard Twist and comes equipped with mudguards, rear rack, side stand, lock and lights.

URBAN | COMMUTING | TOUR | LEISURE



| | |
|-----------------------|-----------------------------------------------------------------------------------------------------------------------------|
| FRAME | eSPRESSO L LITE III, material: aluminium, 700x50C (with fender) max. wheelsize, 142x12mm axle standard, intube, max. 630 Wh |
| FRAME SIZE | XS, S, M, L, eSPRESSO L XS(43L)-S(47L)-M(51L)-L(55L) |
| FORK | Suntour NEX E25, Coil, 63mm suspension travel, 700x52C max wheelsize |
| BRAKES | Shimano MT402-3A |
| ROTORS | Shimano RT30 / Shimano RTE300 |
| HEADSET | MERIDA CAP w/ wire gateway |
| HANDLEBAR | MERIDA EXPERT TK, material: aluminium, 660mm width, 15mm rise |
| HANDLEBAR STEM | MERIDA EXPERT CT, material: aluminium, 31.8mm diameter, adjustable, 90 mm-XS/S/M, 110 mm-L/XL |
| GRIP | MERIDA EXPERT TK |
| DERAILLEUR (R) | Shimano Deore M5100, SGS |
| SHIFTERS | Shimano Deore M5100 |
| SEAT POST | MERIDA EXPERT CC, material: aluminium, 34.9mm diameter, 0mm setback |
| SEAT CLAMP | MERIDA EXPERT |
| SADDLE | MERIDA EXPERT TK, V-mount |
| PEDAL | VP VPE-891 |
| CHAIN | KMC e11S EPT |

| | |
|---------------------|-----------------------------------------------------------------------------------------|
| CHAINGUARD | Sunnywheel SW-CG-173A |
| CHAINWHEEL | Shimano CRE61, 38 teeth, Shimano FC-E6100 |
| FREEWHEEL | Shimano M5100, 11-51 teeth, 11 speed |
| RIM | MERIDA COMP TK, 20mm inner width, material: aluminium |
| HUBS | Shimano Deore |
| AXLES | MERIDA EXPERT TR |
| SPOKES | Black stainless |
| TIRES | Continental Contact Cruiser |
| LIGHTS | Herrmans H-Black MR4 E / Spanninga Commuter Glow XE integrated in MERIDA MIK HD carrier |
| CARRIER | MERIDA MIK HD Carrier with Spring clip & Spanninga rear light |
| FENDER | Sunnywheel SW-FA311-60E1 (MSB) |
| KICKSTAND | Massload CL-KA98 |
| FRAME LOCK | Abus 5650 LH-3 lock |
| BATTERY LOCK | Abus Key |
| DRIVE UNIT | Shimano E6100, 60Nm |
| BATTERY | Shimano E8036, 630Wh |



eSPRESSO L 600 EQ

MATT GREEN/BLACK

LITE III HFS-hydroforming Prolite 66 triple butted aluminium frame with internal 630 Wh battery technology, based around fast-rolling 700c wheels and with commuting and leisure riding in mind. A higher front end and a compact geometry make for a more upright and extremely comfortable riding position. Frame features the new 'Energy Guard Twist and comes equipped with mudguards, rear rack, side stand, lock and lights.

URBAN | COMMUTING | TOUR | LEISURE



| | |
|-----------------------|-----------------------------------------------------------------------------------------------------------------------------|
| FRAME | eSPRESSO L LITE III, material: aluminium, 700x50C (with fender) max. wheelsize, 142x12mm axle standard, intube, max. 630 Wh |
| FRAME SIZE | XS, S, M, L, eSPRESSO L XS(43L)-S(47L)-M(51L)-L(55L) |
| FORK | Suntour NEX E25, Coil, 63mm suspension travel, 700x52C max wheelsize |
| BRAKES | Shimano MT402-3A |
| ROTORS | Shimano RT30 / Shimano RTE300 |
| HEADSET | MERIDA CAP w/ wire gateway |
| HANDLEBAR | MERIDA EXPERT TK, material: aluminium, 660mm width, 15mm rise |
| HANDLEBAR STEM | MERIDA EXPERT CT, material: aluminium, 31.8mm diameter, adjustable, 90 mm-XS/S/M, 110 mm-L/XL |
| GRIP | MERIDA EXPERT TK |
| DERAILLEUR (R) | Shimano Deore M5100, SGS |
| SHIFTERS | Shimano Deore M5100 |
| SEAT POST | MERIDA EXPERT CC, material: aluminium, 34.9mm diameter, 0mm setback |
| SEAT CLAMP | MERIDA EXPERT |
| SADDLE | MERIDA EXPERT TK, V-mount |
| PEDAL | VP VPE-891 |
| CHAIN | KMC e11S EPT |

| | |
|---------------------|-----------------------------------------------------------------------------------------|
| CHAINGUARD | Sunnywheel SW-CG-173A |
| CHAINWHEEL | Shimano CRE61, 38 teeth, Shimano FC-E6100 |
| FREEWHEEL | Shimano M5100, 11-51 teeth, 11 speed |
| RIM | MERIDA COMP TK, 20mm inner width, material: aluminium |
| HUBS | Shimano Deore |
| AXLES | MERIDA EXPERT TR |
| SPOKES | Black stainless |
| TIRES | Continental Contact Cruiser |
| LIGHTS | Herrmans H-Black MR4 E / Spanninga Commuter Glow XE integrated in MERIDA MIK HD carrier |
| CARRIER | MERIDA MIK HD Carrier with Spring clip & Spanninga rear light |
| FENDER | Sunnywheel SW-FA311-60E1 (MSB) |
| KICKSTAND | Massload CL-KA98 |
| FRAME LOCK | Abus 5650 LH-3 lock |
| BATTERY LOCK | Abus Key |
| DRIVE UNIT | Shimano E6100, 60Nm |
| BATTERY | Shimano E8036, 630Wh |



eSPRESSO 500 EQ

MATT ANTHRACITE/BLACK

LITE III HFS-hydroforming Prolite 66 triple butted aluminium frame with internal 630 Wh battery technology, based around fast-rolling 700c wheels and with commuting and leisure riding in mind. A higher front end and a compact geometry make for a more upright and extremely comfortable riding position. Frame features the new 'Energy Guard Twist' and comes equipped with mudguards, rear rack, side stand, lock and lights.

| URBAN | COMMUTING | TOUR | LEISURE |



| | |
|-----------------------|---------------------------------------------------------------------------------------------------------------------------|
| FRAME | eSPRESSO LITE III, material: aluminium, 700x50C (with fender) max. wheelsize, 142x12mm axle standard, intube, max. 630 Wh |
| FRAME SIZE | XS, S, M, L, XL, eSPRESSO L XS(43L)-S(47L)-M(51L)-L(55L) |
| FORK | Suntour NEX E25, Coil, 63mm suspension travel, 700x52C max wheelsize |
| BRAKES | Shimano MT-200 |
| ROTORS | Shimano RT10 |
| HEADSET | MERIDA CAP w/ wire gateway |
| HANDLEBAR | MERIDA EXPERT TK, material: aluminium, 660mm width, 15mm rise |
| HANDLEBAR STEM | MERIDA EXPERT CT, material: aluminium, 31.8mm diameter, adjustable, 90 mm-XS/S/M, 110 mm-L/XL |
| GRIP | MERIDA EXPERT TK |
| DERAILLEUR (R) | Shimano Deore M5120, SGS |
| SHIFTERS | Shimano Deore M4100 |
| SEAT POST | MERIDA EXPERT CC, material: aluminium, 34.9mm diameter, 0mm setback |
| SEAT CLAMP | MERIDA EXPERT |
| SADDLE | MERIDA EXPERT TK, V-mount |
| PEDAL | VP VPE-891 |
| CHAIN | KMC e10S EPT |

| | |
|---------------------|-----------------------------------------------------------------------------------------|
| CHAINGUARD | Sunnywheel SW-CG-173A |
| CHAINWHEEL | Shimano CRE61, 38 teeth, Shimano FC-E6100 |
| FREEWHEEL | Shimano M4100, 11-46 teeth, 10 speed |
| RIM | MERIDA COMP TK, 20mm inner width, material: aluminium |
| HUBS | Shimano TX505 / Shimano MT400 |
| AXLES | MERIDA COMP TR |
| SPOKES | Black stainless |
| TIRES | Continental Ride Cruiser |
| LIGHTS | Herrmans H-Black MR4 E / Spanninga Commuter Glow XE integrated in MERIDA MIK HD carrier |
| CARRIER | MERIDA MIK HD Carrier with Spring clip & Spanninga rear light |
| FENDER | Sunnywheel SW-FA311-60E1 (MSB) |
| KICKSTAND | Massload CL-KA98 |
| FRAME LOCK | Abus 5650 LH-3 lock |
| BATTERY LOCK | Abus Key |
| DRIVE UNIT | Shimano E6100, 60Nm |
| BATTERY | Shimano E8036, 630Wh |



eSPRESSO 500 EQ

SILK LIGHT LIME/BLACK

LITE III HFS-hydroforming Prolite 66 triple butted aluminium frame with internal 630 Wh battery technology, based around fast-rolling 700c wheels and with commuting and leisure riding in mind. A higher front end and a compact geometry make for a more upright and extremely comfortable riding position. Frame features the new 'Energy Guard Twist' and comes equipped with mudguards, rear rack, side stand, lock and lights.

| URBAN | COMMUTING | TOUR | LEISURE |



| | |
|-----------------------|---------------------------------------------------------------------------------------------------------------------------|
| FRAME | eSPRESSO LITE III, material: aluminium, 700x50C (with fender) max. wheelsize, 142x12mm axle standard, intube, max. 630 Wh |
| FRAME SIZE | XS, S, M, L, XL, eSPRESSO L XS(43L)-S(47L)-M(51L)-L(55L) |
| FORK | Suntour NEX E25, Coil, 63mm suspension travel, 700x52C max wheelsize |
| BRAKES | Shimano MT-200 |
| ROTORS | Shimano RT10 |
| HEADSET | MERIDA CAP w/ wire gateway |
| HANDLEBAR | MERIDA EXPERT TK, material: aluminium, 660mm width, 15mm rise |
| HANDLEBAR STEM | MERIDA EXPERT CT, material: aluminium, 31.8mm diameter, adjustable, 90 mm-XS/S/M, 110 mm-L/XL |
| GRIP | MERIDA EXPERT TK |
| DERAILLEUR (R) | Shimano Deore M5120, SGS |
| SHIFTERS | Shimano Deore M4100 |
| SEAT POST | MERIDA EXPERT CC, material: aluminium, 34.9mm diameter, 0mm setback |
| SEAT CLAMP | MERIDA EXPERT |
| SADDLE | MERIDA EXPERT TK, V-mount |
| PEDAL | VP VPE-891 |
| CHAIN | KMC e10S EPT |

| | |
|---------------------|-----------------------------------------------------------------------------------------|
| CHAINGUARD | Sunnywheel SW-CG-173A |
| CHAINWHEEL | Shimano CRE61, 38 teeth, Shimano FC-E6100 |
| FREEWHEEL | Shimano M4100, 11-46 teeth, 10 speed |
| RIM | MERIDA COMP TK, 20mm inner width, material: aluminium |
| HUBS | Shimano TX505 / Shimano MT400 |
| AXLES | MERIDA COMP TR |
| SPOKES | Black stainless |
| TIRES | Continental Ride Cruiser |
| LIGHTS | Herrmans H-Black MR4 E / Spanninga Commuter Glow XE integrated in MERIDA MIK HD carrier |
| CARRIER | MERIDA MIK HD Carrier with Spring clip & Spanninga rear light |
| FENDER | Sunnywheel SW-FA311-60E1 (MSB) |
| KICKSTAND | Massload CL-KA98 |
| FRAME LOCK | Abus 5650 LH-3 lock |
| BATTERY LOCK | Abus Key |
| DRIVE UNIT | Shimano E6100, 60Nm |
| BATTERY | Shimano E8036, 630Wh |



eSPRESSO L 500 EQ

MATT ANTHRACITE/BLACK

LITE III HFS-hydroforming Prolite 66 triple butted aluminium frame with internal 630 Wh battery technology, based around fast-rolling 700c wheels and with commuting and leisure riding in mind. A higher front end and a compact geometry make for a more upright and extremely comfortable riding position. Frame features the new 'Energy Guard Twist' and comes equipped with mudguards, rear rack, side stand, lock and lights.

| URBAN | COMMUTING | TOUR | LEISURE |



| | | | |
|-----------------------|-----------------------------------------------------------------------------------------------------------------------------|---------------------|-----------------------------------------------------------------------------------------|
| FRAME | eSPRESSO L LITE III, material: aluminium, 700x50C (with fender) max. wheelsize, 142x12mm axle standard, intube, max. 630 Wh | CHAINGUARD | Sunnywheel SW-CG-173A |
| FRAME SIZE | XS, S, M, L, eSPRESSO L XS(43L)-S(47L)-M(51L)-L(55L) | CHAINWHEEL | Shimano CRE61, 38 teeth, Shimano FC-E6100 |
| FORK | Suntour NEX E25, Coil, 63mm suspension travel, 700x52C max wheelsize | FREEWHEEL | Shimano M4100, 11-46 teeth, 10 speed |
| BRAKES | Shimano MT-200 | RIM | MERIDA COMP TK, 20mm inner width, material: aluminium |
| ROTORS | Shimano RT10 | HUBS | Shimano TX505 / Shimano MT400 |
| HEADSET | MERIDA CAP w/ wire gateway | AXLES | MERIDA COMP TR |
| HANDLEBAR | MERIDA EXPERT TK, material: aluminium, 660mm width, 15mm rise | SPOKES | Black stainless |
| HANDLEBAR STEM | MERIDA EXPERT CT, material: aluminium, 31.8mm diameter, adjustable, 90 mm-XS/S/M, 110 mm-L/XL | TIRES | Continental Ride Cruiser |
| GRIP | MERIDA EXPERT TK | LIGHTS | Herrmans H-Black MR4 E / Spanninga Commuter Glow XE integrated in MERIDA MIK HD carrier |
| DERAILLEUR (R) | Shimano Deore M5120, SGS | CARRIER | MERIDA MIK HD Carrier with Spring clip & Spanninga rear light |
| SHIFTERS | Shimano Deore M4100 | FENDER | Sunnywheel SW-FA311-60E1 (MSB) |
| SEAT POST | MERIDA EXPERT CC, material: aluminium, 34.9mm diameter, 0mm setback | KICKSTAND | Massload CL-KA98 |
| SEAT CLAMP | MERIDA EXPERT | FRAME LOCK | Abus 5650 LH-3 lock |
| SADDLE | MERIDA EXPERT TK, V-mount | BATTERY LOCK | Abus Key |
| PEDAL | VP VPE-891 | DRIVE UNIT | Shimano E6100, 60Nm |
| CHAIN | KMC e10S EPT | BATTERY | Shimano E8036, 630Wh |



eSPRESSO L 500 EQ

SILK LIGHT LIME/BLACK

LITE III HFS-hydroforming Prolite 66 triple butted aluminium frame with internal 630 Wh battery technology, based around fast-rolling 700c wheels and with commuting and leisure riding in mind. A higher front end and a compact geometry make for a more upright and extremely comfortable riding position. Frame features the new 'Energy Guard Twist' and comes equipped with mudguards, rear rack, side stand, lock and lights.

| URBAN | COMMUTING | TOUR | LEISURE |



| | |
|-----------------------|-----------------------------------------------------------------------------------------------------------------------------|
| FRAME | eSPRESSO L LITE III, material: aluminium, 700x50C (with fender) max. wheelsize, 142x12mm axle standard, intube, max. 630 Wh |
| FRAME SIZE | XS, S, M, L, eSPRESSO L XS(43L)-S(47L)-M(51L)-L(55L) |
| FORK | Suntour NEX E25, Coil, 63mm suspension travel, 700x52C max wheelsize |
| BRAKES | Shimano MT-200 |
| ROTORS | Shimano RT10 |
| HEADSET | MERIDA CAP w/ wire gateway |
| HANDLEBAR | MERIDA EXPERT TK, material: aluminium, 660mm width, 15mm rise |
| HANDLEBAR STEM | MERIDA EXPERT CT, material: aluminium, 31.8mm diameter, adjustable, 90 mm-XS/S/M, 110 mm-L/XL |
| GRIP | MERIDA EXPERT TK |
| DERAILLEUR (R) | Shimano Deore M5120, SGS |
| SHIFTERS | Shimano Deore M4100 |
| SEAT POST | MERIDA EXPERT CC, material: aluminium, 34.9mm diameter, 0mm setback |
| SEAT CLAMP | MERIDA EXPERT |
| SADDLE | MERIDA EXPERT TK, V-mount |
| PEDAL | VP VPE-891 |
| CHAIN | KMC e10S EPT |

| | |
|---------------------|-----------------------------------------------------------------------------------------|
| CHAINGUARD | Sunnywheel SW-CG-173A |
| CHAINWHEEL | Shimano CRE61, 38 teeth, Shimano FC-E6100 |
| FREEWHEEL | Shimano M4100, 11-46 teeth, 10 speed |
| RIM | MERIDA COMP TK, 20mm inner width, material: aluminium |
| HUBS | Shimano TX505 / Shimano MT400 |
| AXLES | MERIDA COMP TR |
| SPOKES | Black stainless |
| TIRES | Continental Ride Cruiser |
| LIGHTS | Herrmans H-Black MR4 E / Spanninga Commuter Glow XE integrated in MERIDA MIK HD carrier |
| CARRIER | MERIDA MIK HD Carrier with Spring clip & Spanninga rear light |
| FENDER | Sunnywheel SW-FA311-60E1 (MSB) |
| KICKSTAND | Massload CL-KA98 |
| FRAME LOCK | Abus 5650 LH-3 lock |
| BATTERY LOCK | Abus Key |
| DRIVE UNIT | Shimano E6100, 60Nm |
| BATTERY | Shimano E8036, 630Wh |



eSPRESSO 400 S EQ

MATT ANTHRACITE (BLACK)

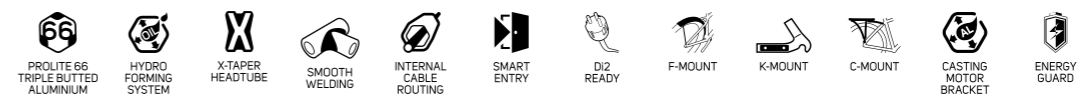
LITE II HFS-hydroforming Prolite 66 triple butted aluminium frame with internal 504 Wh battery technology, based around fast-rolling 700c wheels and with commuting and leisure riding in mind. A higher front end and a compact geometry make for a more upright and extremely comfortable riding position. Comes equipped with mudguards, rear rack, side stand, lock and lights.

| URBAN | COMMUTING | TOUR | LEISURE |



| | |
|-----------------------|--------------------------------------------------------------------------------------------------------------------------|
| FRAME | eSPRESSO LITE II, material: aluminium, 700x50C (with fender) max. wheelsize, 142x12mm axle standard, intube, max. 504 Wh |
| FRAME SIZE | XS, S, M, L, XL, eSPRESSO L XS(43L)-S(47L)-M(51L)-L(55L) |
| FORK | Suntour NEX E25, Coil, 63mm suspension travel, 700x52C max wheelsize |
| BRAKES | Shimano MT-200 |
| ROTORS | Shimano RT10 |
| HEADSET | MERIDA 2346 Neck |
| HANDLEBAR | MERIDA EXPERT TK, material: aluminium, 660mm width, 15mm rise |
| HANDLEBAR STEM | MERIDA EXPERT CT, material: aluminium, 31.8mm diameter, adjustable, 90 mm-XS/S/M, 110 mm-L/XL |
| GRIP | MERIDA EXPERT TK |
| DERAILLEUR (R) | Shimano Deore M592, SGS |
| SHIFTERS | Shimano Alivio M3100 |
| SEAT POST | MERIDA EXPERT CC, material: aluminium, 34.9mm diameter, 0mm setback |
| SEAT CLAMP | MERIDA EXPERT |
| SADDLE | MERIDA EXPERT TK, V-mount |
| PEDAL | VP VPE-891 |
| CHAIN | KMC e9S |

| | |
|---------------------|-----------------------------------------------------------------------------------------|
| CHAINGUARD | Sunnywheel SW-CG-173A |
| CHAINWHEEL | Shimano CRE61, 38 teeth, Shimano FC-E6100 |
| FREEWHEEL | Shimano HG200, 11-36 teeth, 9 speed |
| RIM | MERIDA COMP TK, 20mm inner width, material: aluminium |
| HUBS | Shimano TX505 / Shimano MT400 |
| AXLES | MERIDA COMP TR |
| SPOKES | Black stainless |
| TIRES | Continental Ride Cruiser |
| LIGHTS | Herrmans H-Black MR4 E / Spanninga Commuter Glow XE integrated in MERIDA MIK HD carrier |
| CARRIER | MERIDA MIK HD Carrier with Spring clip & Spanninga rear light |
| FENDER | Sunnywheel SW-FA311-60E1 (MSB) |
| KICKSTAND | Massload CL-KA98 |
| FRAME LOCK | Abus 5650 LH-3 lock |
| BATTERY LOCK | Abus Key |
| DRIVE UNIT | Shimano E6100, 60Nm |
| BATTERY | Shimano E8035, 500Wh |



eSPRESSO 400 S EQ

SILK BLUE (BLACK)

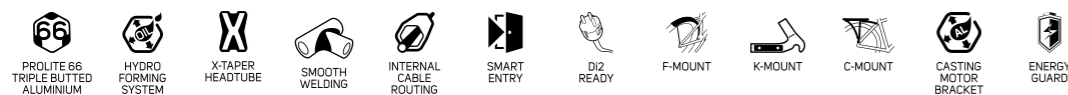
LITE II HFS-hydroforming Prolite 66 triple butted aluminium frame with internal 504 Wh battery technology, based around fast-rolling 700c wheels and with commuting and leisure riding in mind. A higher front end and a compact geometry make for a more upright and extremely comfortable riding position. Comes equipped with mudguards, rear rack, side stand, lock and lights.

| URBAN | COMMUTING | TOUR | LEISURE |



| | |
|-----------------------|--------------------------------------------------------------------------------------------------------------------------|
| FRAME | eSPRESSO LITE II, material: aluminium, 700x50C (with fender) max. wheelsize, 142x12mm axle standard, intube, max. 504 Wh |
| FRAME SIZE | XS, S, M, L, XL, eSPRESSO L XS(43L)-S(47L)-M(51L)-L(55L) |
| FORK | Suntour NEX E25, Coil, 63mm suspension travel, 700x52C max wheelsize |
| BRAKES | Shimano MT-200 |
| ROTORS | Shimano RT10 |
| HEADSET | MERIDA 2346 Neck |
| HANDLEBAR | MERIDA EXPERT TK, material: aluminium, 660mm width, 15mm rise |
| HANDLEBAR STEM | MERIDA EXPERT CT, material: aluminium, 31.8mm diameter, adjustable, 90 mm-XS/S/M, 110 mm-L/XL |
| GRIP | MERIDA EXPERT TK |
| DERAILLEUR (R) | Shimano Deore M592, SGS |
| SHIFTERS | Shimano Alivio M3100 |
| SEAT POST | MERIDA EXPERT CC, material: aluminium, 34.9mm diameter, 0mm setback |
| SEAT CLAMP | MERIDA EXPERT |
| SADDLE | MERIDA EXPERT TK, V-mount |
| PEDAL | VP VPE-891 |
| CHAIN | KMC e9S |

| | |
|---------------------|-----------------------------------------------------------------------------------------|
| CHAINGUARD | Sunnywheel SW-CG-173A |
| CHAINWHEEL | Shimano CRE61, 38 teeth, Shimano FC-E6100 |
| FREEWHEEL | Shimano HG200, 11-36 teeth, 9 speed |
| RIM | MERIDA COMP TK, 20mm inner width, material: aluminium |
| HUBS | Shimano TX505 / Shimano MT400 |
| AXLES | MERIDA COMP TR |
| SPOKES | Black stainless |
| TIRES | Continental Ride Cruiser |
| LIGHTS | Herrmans H-Black MR4 E / Spanninga Commuter Glow XE integrated in MERIDA MIK HD carrier |
| CARRIER | MERIDA MIK HD Carrier with Spring clip & Spanninga rear light |
| FENDER | Sunnywheel SW-FA311-60E1 (MSB) |
| KICKSTAND | Massload CL-KA98 |
| FRAME LOCK | Abus 5650 LH-3 lock |
| BATTERY LOCK | Abus Key |
| DRIVE UNIT | Shimano E6100, 60Nm |
| BATTERY | Shimano E8035, 500Wh |



eSPRESSO 400 S EQ

GLOSSY WHITE (BLACK)

LITE II HFS-hydroforming Prolite 66 triple butted aluminium frame with internal 504 Wh battery technology, based around fast-rolling 700c wheels and with commuting and leisure riding in mind. A higher front end and a compact geometry make for a more upright and extremely comfortable riding position. Comes equipped with mudguards, rear rack, side stand, lock and lights.

| URBAN | COMMUTING | TOUR | LEISURE |



| | |
|-----------------------|--------------------------------------------------------------------------------------------------------------------------|
| FRAME | eSPRESSO LITE II, material: aluminium, 700x50C (with fender) max. wheelsize, 142x12mm axle standard, intube, max. 504 Wh |
| FRAME SIZE | XS, S, M, L, XL, eSPRESSO L XS(43L)-S(47L)-M(51L)-L(55L) |
| FORK | Suntour NEX E25, Coil, 63mm suspension travel, 700x52C max wheelsize |
| BRAKES | Shimano MT-200 |
| ROTORS | Shimano RT10 |
| HEADSET | MERIDA 2346 Neck |
| HANDLEBAR | MERIDA EXPERT TK, material: aluminium, 660mm width, 15mm rise |
| HANDLEBAR STEM | MERIDA EXPERT CT, material: aluminium, 31.8mm diameter, adjustable, 90 mm-XS/S/M, 110 mm-L/XL |
| GRIP | MERIDA EXPERT TK |
| DERAILLEUR (R) | Shimano Deore M592, SGS |
| SHIFTERS | Shimano Alivio M3100 |
| SEAT POST | MERIDA EXPERT CC, material: aluminium, 34.9mm diameter, 0mm setback |
| SEAT CLAMP | MERIDA EXPERT |
| SADDLE | MERIDA EXPERT TK, V-mount |
| PEDAL | VP VPE-891 |
| CHAIN | KMC e9S |

| | |
|---------------------|-----------------------------------------------------------------------------------------|
| CHAINGUARD | Sunnywheel SW-CG-173A |
| CHAINWHEEL | Shimano CRE61, 38 teeth, Shimano FC-E6100 |
| FREEWHEEL | Shimano HG200, 11-36 teeth, 9 speed |
| RIM | MERIDA COMP TK, 20mm inner width, material: aluminium |
| HUBS | Shimano TX505 / Shimano MT400 |
| AXLES | MERIDA COMP TR |
| SPOKES | Black stainless |
| TIRES | Continental Ride Cruiser |
| LIGHTS | Herrmans H-Black MR4 E / Spanninga Commuter Glow XE integrated in MERIDA MIK HD carrier |
| CARRIER | MERIDA MIK HD Carrier with Spring clip & Spanninga rear light |
| FENDER | Sunnywheel SW-FA311-60E1 (MSB) |
| KICKSTAND | Massload CL-KA98 |
| FRAME LOCK | Abus 5650 LH-3 lock |
| BATTERY LOCK | Abus Key |
| DRIVE UNIT | Shimano E6100, 60Nm |
| BATTERY | Shimano E8035, 500Wh |



eSPRESSO L 400 S EQ

MATT ANTHRACITE (BLACK)

LITE II HFS-hydroforming ProLite 66 triple butted aluminium frame with internal 504 Wh battery technology, based around fast-rolling 700c wheels and with commuting and leisure riding in mind. A higher front end and a compact geometry make for a more upright and extremely comfortable riding position. Comes equipped with mudguards, rear rack, side stand, lock and lights.

URBAN | COMMUTING | TOUR | LEISURE



| | |
|-----------------------|----------------------------------------------------------------------------------------------------------------------------|
| FRAME | eSPRESSO L LITE II, material: aluminium, 700x50C (with fender) max. wheelsize, 142x12mm axle standard, intube, max. 504 Wh |
| FRAME SIZE | XS, S, M, L, eSPRESSO L XS(43L)-S(47L)-M(51L)-L(55L) |
| FORK | Suntour NEX E25, Coil, 63mm suspension travel, 700x52C max wheelsize |
| BRAKES | Shimano MT-200 |
| ROTORS | Shimano RT10 |
| HEADSET | MERIDA 2346 Neck |
| HANDLEBAR | MERIDA EXPERT TK, material: aluminium, 660mm width, 15mm rise |
| HANDLEBAR STEM | MERIDA EXPERT CT, material: aluminium, 31.8mm diameter, adjustable, 90 mm-XS/S/M, 110 mm-L/XL |
| GRIP | MERIDA EXPERT TK |
| DERAILLEUR (R) | Shimano Deore M592, SGS |
| SHIFTERS | Shimano Alivio M3100 |
| SEAT POST | MERIDA EXPERT CC, material: aluminium, 34.9mm diameter, 0mm setback |
| SEAT CLAMP | MERIDA EXPERT |
| SADDLE | MERIDA EXPERT TK, V-mount |
| PEDAL | VP VPE-891 |
| CHAIN | KMC e9S |

| | |
|---------------------|-----------------------------------------------------------------------------------------|
| CHAINGUARD | Sunnywheel SW-CG-173A |
| CHAINWHEEL | Shimano CRE61, 38 teeth, Shimano FC-E6100 |
| FREEWHEEL | Shimano HG200, 11-36 teeth, 9 speed |
| RIM | MERIDA COMP TK, 20mm inner width, material: aluminium |
| HUBS | Shimano TX505 / Shimano MT400 |
| AXLES | MERIDA COMP TR |
| SPOKES | Black stainless |
| TIRES | Continental Ride Cruiser |
| LIGHTS | Herrmans H-Black MR4 E / Spanninga Commuter Glow XE integrated in MERIDA MIK HD carrier |
| CARRIER | MERIDA MIK HD Carrier with Spring clip & Spanninga rear light |
| FENDER | Sunnywheel SW-FA311-60E1 (MSB) |
| KICKSTAND | Massload CL-KA98 |
| FRAME LOCK | Abus 5650 LH-3 lock |
| BATTERY LOCK | Abus Key |
| DRIVE UNIT | Shimano E6100, 60Nm |
| BATTERY | Shimano E8035, 500Wh |



eSPRESSO L 400 S EQ

SILK BLUE (BLACK)

LITE II HFS-hydroforming ProLite 66 triple butted aluminium frame with internal 504 Wh battery technology, based around fast-rolling 700c wheels and with commuting and leisure riding in mind. A higher front end and a compact geometry make for a more upright and extremely comfortable riding position. Comes equipped with mudguards, rear rack, side stand, lock and lights.

URBAN | COMMUTING | TOUR | LEISURE



| | |
|-----------------------|----------------------------------------------------------------------------------------------------------------------------|
| FRAME | eSPRESSO L LITE II, material: aluminium, 700x50C (with fender) max. wheelsize, 142x12mm axle standard, intube, max. 504 Wh |
| FRAME SIZE | XS, S, M, L, eSPRESSO L XS(43L)-S(47L)-M(51L)-L(55L) |
| FORK | Suntour NEX E25, Coil, 63mm suspension travel, 700x52C max wheelsize |
| BRAKES | Shimano MT-200 |
| ROTORS | Shimano RT10 |
| HEADSET | MERIDA 2346 Neck |
| HANDLEBAR | MERIDA EXPERT TK, material: aluminium, 660mm width, 15mm rise |
| HANDLEBAR STEM | MERIDA EXPERT CT, material: aluminium, 31.8mm diameter, adjustable, 90 mm-XS/S/M, 110 mm-L/XL |
| GRIP | MERIDA EXPERT TK |
| DERAILLEUR (R) | Shimano Deore M592, SGS |
| SHIFTERS | Shimano Alivio M3100 |
| SEAT POST | MERIDA EXPERT CC, material: aluminium, 34.9mm diameter, 0mm setback |
| SEAT CLAMP | MERIDA EXPERT |
| SADDLE | MERIDA EXPERT TK, V-mount |
| PEDAL | VP VPE-891 |
| CHAIN | KMC e9S |

| | |
|---------------------|-----------------------------------------------------------------------------------------|
| CHAINGUARD | Sunnywheel SW-CG-173A |
| CHAINWHEEL | Shimano CRE61, 38 teeth, Shimano FC-E6100 |
| FREEWHEEL | Shimano HG200, 11-36 teeth, 9 speed |
| RIM | MERIDA COMP TK, 20mm inner width, material: aluminium |
| HUBS | Shimano TX505 / Shimano MT400 |
| AXLES | MERIDA COMP TR |
| SPOKES | Black stainless |
| TIRES | Continental Ride Cruiser |
| LIGHTS | Herrmans H-Black MR4 E / Spanninga Commuter Glow XE integrated in MERIDA MIK HD carrier |
| CARRIER | MERIDA MIK HD Carrier with Spring clip & Spanninga rear light |
| FENDER | Sunnywheel SW-FA311-60E1 (MSB) |
| KICKSTAND | Massload CL-KA98 |
| FRAME LOCK | Abus 5650 LH-3 lock |
| BATTERY LOCK | Abus Key |
| DRIVE UNIT | Shimano E6100, 60Nm |
| BATTERY | Shimano E8035, 500Wh |



eSPRESSO L 400 S EQ

MATT ANTHRACITE (BLACK)

LITE II HFS-hydroforming ProLite 66 triple butted aluminium frame with internal 504 Wh battery technology, based around fast-rolling 700c wheels and with commuting and leisure riding in mind. A higher front end and a compact geometry make for a more upright and extremely comfortable riding position. Comes equipped with mudguards, rear rack, side stand, lock and lights.

| URBAN | COMMUTING | TOUR | LEISURE |



| | |
|-----------------------|----------------------------------------------------------------------------------------------------------------------------|
| FRAME | eSPRESSO L LITE II, material: aluminium, 700x50C (with fender) max. wheelsize, 142x12mm axle standard, intube, max. 504 Wh |
| FRAME SIZE | XS, S, M, L, eSPRESSO L XS(43L)-S(47L)-M(51L)-L(55L) |
| FORK | Suntour NEX E25, Coil, 63mm suspension travel, 700x52C max wheelsize |
| BRAKES | Shimano MT-200 |
| ROTORS | Shimano RT10 |
| HEADSET | MERIDA 2346 Neck |
| HANDLEBAR | MERIDA EXPERT TK, material: aluminium, 660mm width, 15mm rise |
| HANDLEBAR STEM | MERIDA EXPERT CT, material: aluminium, 31.8mm diameter, adjustable, 90 mm-XS/S/M, 110 mm-L/XL |
| GRIP | MERIDA EXPERT TK |
| DERAILLEUR (R) | Shimano Deore M592, SGS |
| SHIFTERS | Shimano Alivio M3100 |
| SEAT POST | MERIDA EXPERT CC, material: aluminium, 34.9mm diameter, 0mm setback |
| SEAT CLAMP | MERIDA EXPERT |
| SADDLE | MERIDA EXPERT TK, V-mount |
| PEDAL | VP VPE-891 |
| CHAIN | KMC e9S |

| | |
|---------------------|-----------------------------------------------------------------------------------------|
| CHAINGUARD | Sunnywheel SW-CG-173A |
| CHAINWHEEL | Shimano CRE61, 38 teeth, Shimano FC-E6100 |
| FREEWHEEL | Shimano HG200, 11-36 teeth, 9 speed |
| RIM | MERIDA COMP TK, 20mm inner width, material: aluminium |
| HUBS | Shimano TX505 / Shimano MT400 |
| AXLES | MERIDA COMP TR |
| SPOKES | Black stainless |
| TIRES | Continental Ride Cruiser |
| LIGHTS | Herrmans H-Black MR4 E / Spanninga Commuter Glow XE integrated in MERIDA MIK HD carrier |
| CARRIER | MERIDA MIK HD Carrier with Spring clip & Spanninga rear light |
| FENDER | Sunnywheel SW-FA311-60E1 (MSB) |
| KICKSTAND | Massload CL-KA98 |
| FRAME LOCK | Abus 5650 LH-3 lock |
| BATTERY LOCK | Abus Key |
| DRIVE UNIT | Shimano E6100, 60Nm |
| BATTERY | Shimano E8035, 500Wh |



eSPRESSO 300 SE EQ

ANTHRACITE (BLACK)

LITE HFS-hydroforming ProLite 66 triple butted aluminium frame with semi-integrated battery technology, based around fast-rolling 700c wheels and with commuting and leisure riding in mind. A higher front end and a compact geometry make for a more upright and extremely comfortable riding position. Comes equipped with mudguards, rear rack, side stand, lock and lights.

| URBAN | COMMUTING | TOUR | LEISURE |



| | |
|-----------------------|------------------------------------------------------------------------------------------------------------------|
| FRAME | eSPRESSO LITE, material: aluminium, 700C wheelsize, 142x12mm axle standard, external, max. 504 Wh |
| FRAME SIZE | XS, S, M, L, XL, eSPRESSO L XS(43L)-S(47L)-M(51L)-L(55L) |
| FORK | Suntour NEX-PM-DS, Coil, 63mm suspension travel, 700x48C max wheelsize |
| BRAKES | Shimano MT-200 |
| ROTORS | Shimano RT10 |
| HEADSET | MERIDA 2346 Neck |
| HANDLEBAR | MERIDA EXPERT TK, material: aluminium, 660mm width, 15mm rise |
| HANDLEBAR STEM | MERIDA EXPERT CC, material: aluminium, 31.8mm diameter, 17° stem angle, 80 mm-XS/S, 90 mm-M, 100 mm-L, 110 mm-XL |
| GRIP | MERIDA EXPERT TK |
| DERAILLEUR (R) | Shimano Altus M2000, SGS |
| SHIFTERS | Shimano Altus rapidfire |
| SEAT POST | MERIDA EXPERT, material: aluminium, 30.9mm diameter, 15mm setback |
| SEAT CLAMP | MERIDA EXPERT |
| SADDLE | MERIDA EXPERT TK, V-mount |
| PEDAL | VP VPE-891 |
| CHAIN | KMC e9S |

| | |
|---------------------|----------------------------------------------------------------------------|
| CHAINGUARD | Sunnywheel SW-CG-173A |
| CHAINWHEEL | Shimano CRE50, 38 teeth, Shimano FC-E5010 |
| FREEWHEEL | Shimano HG400, 11-36 teeth, 9 speed |
| RIM | MERIDA COMP TK, 20mm inner width, material: aluminium |
| HUBS | Shimano TX505 / Shimano MT400 |
| AXLES | MERIDA COMP TR |
| SPOKES | Black stainless |
| TIRES | Continental Ride Tour |
| LIGHTS | Herrmans H-Black MR4 E / Herrmans H-Cargo integrated in MERIDA MIK carrier |
| CARRIER | MERIDA MIK Carrier with Spring clip & Herrmans rear light |
| FENDER | Sunnywheel SW-FA 513 |
| KICKSTAND | Massload CL-KA98 |
| FRAME LOCK | Abus 5650 LH-3 lock |
| BATTERY LOCK | Abus Key |
| DRIVE UNIT | Shimano E5000, 40Nm |
| BATTERY | Shimano E8010, 504Wh |



eSPRESSO 300 SE EQ

SILK GREEN (BLACK)

LITE HFS-hydroforming ProLite 66 triple butted aluminium frame with semi-integrated battery technology, based around fast-rolling 700c wheels and with commuting and leisure riding in mind. A higher front end and a compact geometry make for a more upright and extremely comfortable riding position. Comes equipped with mudguards, rear rack, side stand, lock and lights.

| URBAN | COMMUTING | TOUR | LEISURE |



| | | | |
|-----------------------|------------------------------------------------------------------------------------------------------------------|---------------------|----------------------------------------------------------------------------|
| FRAME | eSPRESSO LITE, material: aluminium, 700c wheelsize, 142x12mm axle standard, external, max. 504 Wh | CHAINGUARD | Sunnywheel SW-CG-173A |
| FRAME SIZE | XS, S, M, L, XL, eSPRESSO L XS(43L)-S(47L)-M(51L)-L(55L) | CHAINWHEEL | Shimano CRE50, 38 teeth, Shimano FC-E5010 |
| FORK | Suntour NEX-PM-DS, Coil, 63mm suspension travel, 700x48C max wheelsize | FREEWHEEL | Shimano HG400, 11-36 teeth, 9 speed |
| BRAKES | Shimano MT-200 | RIM | MERIDA COMP TK, 20mm inner width, material: aluminium |
| ROTORS | Shimano RT10 | HUBS | Shimano TX505 / Shimano MT400 |
| HEADSET | MERIDA 2346 Neck | AXLES | MERIDA COMP TR |
| HANDLEBAR | MERIDA EXPERT TK, material: aluminium, 660mm width, 15mm rise | SPOKES | Black stainless |
| HANDLEBAR STEM | MERIDA EXPERT CC, material: aluminium, 31.8mm diameter, 17° stem angle, 80 mm-XS/S, 90 mm-M, 100 mm-L, 110 mm-XL | TIRES | Continental Ride Tour |
| GRIP | MERIDA EXPERT TK | LIGHTS | Herrmans H-Black MR4 E / Herrmans H-Cargo integrated in MERIDA MIK carrier |
| DERAILLEUR (R) | Shimano Altus M2000, SGS | CARRIER | MERIDA MIK Carrier with Spring clip & Herrmans rear light |
| SHIFTERS | Shimano Altus rapidfire | FENDER | Sunnywheel SW-FA 513 |
| SEAT POST | MERIDA EXPERT, material: aluminium, 30.9mm diameter, 15mm setback | KICKSTAND | Massload CL-KA98 |
| SEAT CLAMP | MERIDA EXPERT | FRAME LOCK | Abus 5650 LH-3 lock |
| SADDLE | MERIDA EXPERT TK, V-mount | BATTERY LOCK | Abus Key |
| PEDAL | VP VPE-891 | DRIVE UNIT | Shimano E5000, 40Nm |
| CHAIN | KMC e9S | BATTERY | Shimano E8010, 504Wh |



eSPRESSO L 300 SE EQ

ANTHRACITE (BLACK)

LITE HFS-hydroforming ProLite 66 triple butted aluminium frame with semi-integrated battery technology, based around fast-rolling 700c wheels and with commuting and leisure riding in mind. A higher front end and a compact geometry make for a more upright and extremely comfortable riding position. Comes equipped with mudguards, rear rack, side stand, lock and lights.

| URBAN | COMMUTING | TOUR | LEISURE |



| | |
|-----------------------|------------------------------------------------------------------------------------------------------------------|
| FRAME | eSPRESSO L LITE, material: aluminium, 700C wheelsize, 142x12mm axle standard, external, max. 504 Wh |
| FRAME SIZE | XS, S, M, L, eSPRESSO L XS(43L)-S(47L)-M(51L)-L(55L) |
| FORK | Suntour NEX-PM-DS, Coil, 63mm suspension travel, 700x48C max wheelsize |
| BRAKES | Shimano MT-200 |
| ROTORS | Shimano RT10 |
| HEADSET | MERIDA 2346 Neck |
| HANDLEBAR | MERIDA EXPERT TK, material: aluminium, 660mm width, 15mm rise |
| HANDLEBAR STEM | MERIDA EXPERT CC, material: aluminium, 31.8mm diameter, 17° stem angle, 80 mm-XS/S, 90 mm-M, 100 mm-L, 110 mm-XL |
| GRIP | MERIDA EXPERT TK |
| DERAILLEUR (R) | Shimano Altus M2000, SGS |
| SHIFTERS | Shimano Altus rapidfire |
| SEAT POST | MERIDA EXPERT, material: aluminium, 30.9mm diameter, 15mm setback |
| SEAT CLAMP | MERIDA EXPERT |
| SADDLE | MERIDA EXPERT TK, V-mount |
| PEDAL | VP VPE-891 |
| CHAIN | KMC e9S |

| | |
|---------------------|----------------------------------------------------------------------------|
| CHAINGUARD | Sunnywheel SW-CG-173A |
| CHAINWHEEL | Shimano CRE50, 38 teeth, Shimano FC-E5010 |
| FREEWHEEL | Shimano HG400, 11-36 teeth, 9 speed |
| RIM | MERIDA COMP TK, 20mm inner width, material: aluminium |
| HUBS | Shimano TX505 / Shimano MT400 |
| AXLES | MERIDA COMP TR |
| SPOKES | Black stainless |
| TIRES | Continental Ride Tour |
| LIGHTS | Herrmans H-Black MR4 E / Herrmans H-Cargo integrated in MERIDA MIK carrier |
| CARRIER | MERIDA MIK Carrier with Spring clip & Herrmans rear light |
| FENDER | Sunnywheel SW-FA 513 |
| KICKSTAND | Massload CL-KA98 |
| FRAME LOCK | Abus 5650 LH-3 lock |
| BATTERY LOCK | Abus Key |
| DRIVE UNIT | Shimano E5000, 40Nm |
| BATTERY | Shimano E8010, 504Wh |



eSPRESSO L 300 SE EQ

SILK GREEN (BLACK)

LITE HFS-hydroforming ProLite 66 triple butted aluminium frame with semi-integrated battery technology, based around fast-rolling 700c wheels and with commuting and leisure riding in mind. A higher front end and a compact geometry make for a more upright and extremely comfortable riding position. Comes equipped with mudguards, rear rack, side stand, lock and lights.

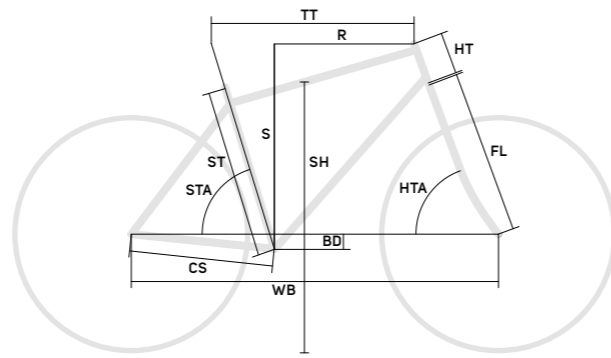
| URBAN | COMMUTING | TOUR | LEISURE |



| | |
|-----------------------|------------------------------------------------------------------------------------------------------------------|
| FRAME | eSPRESSO L LITE, material: aluminium, 700C wheelsize, 142x12mm axle standard, external, max. 504 Wh |
| FRAME SIZE | XS, S, M, L, eSPRESSO L XS(43L)-S(47L)-M(51L)-L(55L) |
| FORK | Suntour NEX-PM-DS, Coil, 63mm suspension travel, 700x48C max wheelsize |
| BRAKES | Shimano MT-200 |
| ROTORS | Shimano RT10 |
| HEADSET | MERIDA 2346 Neck |
| HANDLEBAR | MERIDA EXPERT TK, material: aluminium, 660mm width, 15mm rise |
| HANDLEBAR STEM | MERIDA EXPERT CC, material: aluminium, 31.8mm diameter, 17° stem angle, 80 mm-XS/S, 90 mm-M, 100 mm-L, 110 mm-XL |
| GRIP | MERIDA EXPERT TK |
| DERAILLEUR (R) | Shimano Altus M2000, SGS |
| SHIFTERS | Shimano Altus rapidfire |
| SEAT POST | MERIDA EXPERT, material: aluminium, 30.9mm diameter, 15mm setback |
| SEAT CLAMP | MERIDA EXPERT |
| SADDLE | MERIDA EXPERT TK, V-mount |
| PEDAL | VP VPE-891 |
| CHAIN | KMC e9S |

| | |
|---------------------|----------------------------------------------------------------------------|
| CHAINGUARD | Sunnywheel SW-CG-173A |
| CHAINWHEEL | Shimano CRE50, 38 teeth, Shimano FC-E5010 |
| FREEWHEEL | Shimano HG400, 11-36 teeth, 9 speed |
| RIM | MERIDA COMP TK, 20mm inner width, material: aluminium |
| HUBS | Shimano TX505 / Shimano MT400 |
| AXLES | MERIDA COMP TR |
| SPOKES | Black stainless |
| TIRES | Continental Ride Tour |
| LIGHTS | Herrmans H-Black MR4 E / Herrmans H-Cargo integrated in MERIDA MIK carrier |
| CARRIER | MERIDA MIK Carrier with Spring clip & Herrmans rear light |
| FENDER | Sunnywheel SW-FA 513 |
| KICKSTAND | Massload CL-KA98 |
| FRAME LOCK | Abus 5650 LH-3 lock |
| BATTERY LOCK | Abus Key |
| DRIVE UNIT | Shimano E5000, 40Nm |
| BATTERY | Shimano E8010, 504Wh |





eSPRESSO LITE IV

| FS Frame Size | XS(43) | S(47) | M(51) | L(55) | XL(59) |
|-----------------------------|--------|-------|-------|-------|--------|
| TS Tire Size | 28" | 28" | 28" | 28" | 28" |
| ST seat tube [mm] | 430 | 470 | 510 | 550 | 590 |
| TT top tube [mm] | 580 | 590 | 600 | 620 | 640 |
| CS chain stay length [mm] | 478 | 478 | 478 | 478 | 478 |
| HTA head tube angle [°] | 69 | 69,5 | 69,5 | 70 | 70 |
| STA seat tube angle [°] | 75 | 74,5 | 74,5 | 74 | 74 |
| BD bottom bracket drop [mm] | 75 | 75 | 75 | 75 | 75 |
| HT head tube [mm] | 133 | 140 | 155 | 175 | 205 |
| FL fork length [mm] | 489 | 489 | 489 | 489 | 489 |
| R reach [mm] | 409 | 410 | 416 | 424 | 436 |
| S stack [mm] | 640 | 649 | 663 | 684 | 712 |
| WB wheel base [mm] | 1145 | 1144 | 1155 | 1164 | 1187 |
| SH stand over height [mm] | 733 | 768 | 802 | 836 | 873 |

eSPRESSO L LITE IV

| FS Frame Size | XS(43) | S(47) | M(51) | L(55) |
|-----------------------------|--------|-------|-------|-------|
| TS Tire Size | 28" | 28" | 28" | 28" |
| ST seat tube [mm] | 430 | 470 | 510 | 550 |
| TT top tube [mm] | 580 | 590 | 600 | 620 |
| CS chain stay length [mm] | 478 | 478 | 478 | 478 |
| HTA head tube angle [°] | 69 | 69,5 | 69,5 | 70 |
| STA seat tube angle [°] | 75 | 74,5 | 74,5 | 74 |
| BD bottom bracket drop [mm] | 75 | 75 | 75 | 75 |
| HT head tube [mm] | 133 | 140 | 155 | 175 |
| FL fork length [mm] | 489 | 489 | 489 | 489 |
| R reach [mm] | 409 | 410 | 416 | 424 |
| S stack [mm] | 640 | 649 | 663 | 684 |
| WB wheel base [mm] | 1145 | 1144 | 1155 | 1164 |
| SH stand over height [mm] | 593 | 610 | 631 | 650 |

eSPRESSO LITE II

| FS Frame Size | XS(43) | S(47) | M(51) | L(55) | XL(59) |
|-----------------------------|--------|-------|-------|-------|--------|
| TS Tire Size | 28" | 28" | 28" | 28" | 28" |
| ST seat tube [mm] | 430 | 470 | 510 | 550 | 590 |
| TT top tube [mm] | 565 | 580 | 590 | 610 | 630 |
| CS chain stay length [mm] | 478 | 478 | 478 | 478 | 478 |
| HTA head tube angle [°] | 70,5 | 71 | 71 | 71,5 | 71,5 |
| STA seat tube angle [°] | 75 | 74,5 | 74,5 | 74 | 74 |
| BD bottom bracket drop [mm] | 70 | 70 | 70 | 70 | 70 |
| HT head tube [mm] | 130 | 140 | 155 | 175 | 205 |
| FL fork length [mm] | 475 | 475 | 475 | 475 | 475 |
| R reach [mm] | 397 | 403 | 409 | 417 | 429 |
| S stack [mm] | 626 | 637 | 651,5 | 672,5 | 701 |
| WB wheel base [mm] | 1114 | 1118 | 1129 | 1138 | 1159,5 |
| SH stand over height [mm] | 724 | 758 | 793 | 828 | 864 |

eSPRESSO L LITE II

| FS Frame Size | XS(43) | S(47) | M(51) | L(55) |
|-----------------------------|--------|-------|-------|-------|
| TS Tire Size | 28" | 28" | 28" | 28" |
| ST seat tube [mm] | 430 | 470 | 510 | 550 |
| TT top tube [mm] | 565 | 580 | 590 | 610 |
| CS chain stay length [mm] | 478 | 478 | 478 | 478 |
| HTA head tube angle [°] | 70,5 | 71 | 71 | 71,5 |
| STA seat tube angle [°] | 75 | 74,5 | 74,5 | 74 |
| BD bottom bracket drop [mm] | 70 | 70 | 70 | 70 |
| HT head tube [mm] | 130 | 140 | 155 | 175 |
| FL fork length [mm] | 475 | 475 | 475 | 475 |
| R reach [mm] | 397 | 403 | 409 | 417 |
| S stack [mm] | 626 | 637 | 651,5 | 672,5 |
| WB wheel base [mm] | 1114 | 1118 | 1129 | 1138 |
| SH stand over height [mm] | 590 | 584 | 584 | 581 |

eSPRESSO LITE III / HG

| FS Frame Size | XS(43) | S(47) | M(51) | L(55) | XL(59) |
|-----------------------------|--------|-------|-------|-------|--------|
| TS Tire Size | 28" | 28" | 28" | 28" | 28" |
| ST seat tube [mm] | 430 | 470 | 510 | 550 | 590 |
| TT top tube [mm] | 580 | 590 | 600 | 620 | 640 |
| CS chain stay length [mm] | 478 | 478 | 478 | 478 | 478 |
| HTA head tube angle [°] | 69 | 69,5 | 69,5 | 70 | 70 |
| STA seat tube angle [°] | 75 | 74,5 | 74,5 | 74 | 74 |
| BD bottom bracket drop [mm] | 75 | 75 | 75 | 75 | 75 |
| HT head tube [mm] | 133 | 140 | 155 | 175 | 205 |
| FL fork length [mm] | 489 | 489 | 489 | 489 | 489 |
| R reach [mm] | 409 | 410 | 416 | 424 | 436 |
| S stack [mm] | 640 | 649 | 663 | 684 | 712 |
| WB wheel base [mm] | 1145 | 1144 | 1155 | 1164 | 1187 |
| SH stand over height [mm] | 733 | 768 | 802 | 836 | 873 |

eSPRESSO L LITE III / HG

| FS Frame Size | XS(43) | S(47) | M(51) | L(55) |
|-----------------------------|--------|-------|-------|-------|
| TS Tire Size | 28" | 28" | 28" | 28" |
| ST seat tube [mm] | 430 | 470 | 510 | 550 |
| TT top tube [mm] | 580 | 590 | 600 | 620 |
| CS chain stay length [mm] | 478 | 478 | 478 | 478 |
| HTA head tube angle [°] | 69 | 69,5 | 69,5 | 70 |
| STA seat tube angle [°] | 75 | 74,5 | 74,5 | 74 |
| BD bottom bracket drop [mm] | 75 | 75 | 75 | 75 |
| HT head tube [mm] | 133 | 140 | 155 | 175 |
| FL fork length [mm] | 489 | 489 | 489 | 489 |
| R reach [mm] | 409 | 410 | 416 | 424 |
| S stack [mm] | 640 | 649 | 663 | 684 |
| WB wheel base [mm] | 1145 | 1144 | 1155 | 1164 |
| SH stand over height [mm] | 593 | 610 | 631 | 650 |

eSPRESSO LITE

| FS Frame Size | XS(43) | S(47) | M(51) | L(55) | XL(59) |
|-----------------------------|--------|-------|-------|-------|--------|
| TS Tire Size | 28" | 28" | 28" | 28" | 28" |
| ST seat tube [mm] | 430 | 470 | 510 | 550 | 590 |
| TT top tube [mm] | 565 | 580 | 590 | 610 | 630 |
| CS chain stay length [mm] | 475 | 475 | 475 | 475 | 475 |
| HTA head tube angle [°] | 70,5 | 71 | 71 | 71,5 | 71,5 |
| STA seat tube angle [°] | 74 | 73,5 | 73,5 | 73 | 73 |
| BD bottom bracket drop [mm] | 70 | 70 | 70 | 70 | 70 |
| HT head tube [mm] | 130 | 140 | 155 | 175 | 205 |
| FL fork length [mm] | 477 | 477 | 477 | 477 | 477 |
| R reach [mm] | 385 | 391 | 397 | 404 | 415 |
| S stack [mm] | 627 | 638 | 653 | 674 | 702 |
| WB wheel base [mm] | 1101 | 1105 | 1116 | 1124 | 1145 |
| SH stand over height [mm] | 723 | 757 | 792 | 827 | 864 |

eSPRESSO L LITE

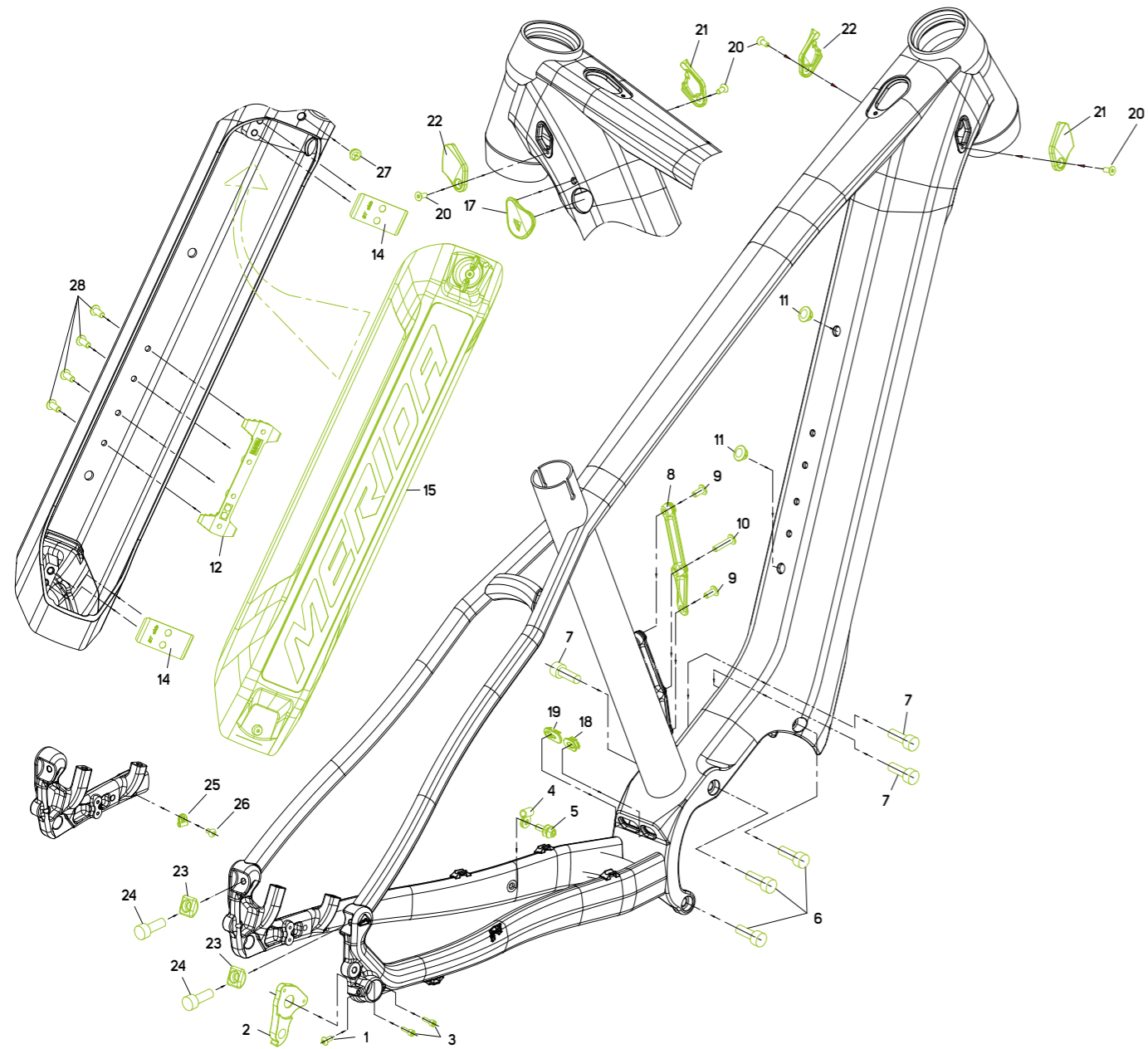
| FS Frame Size | XS(43) | S(47) | M(51) | L(55) |
|-----------------------------|--------|-------|-------|-------|
| TS Tire Size | 28" | 28" | 28" | 28" |
| ST seat tube [mm] | 430 | 470 | 510 | 550 |
| TT top tube [mm] | 565 | 580 | 590 | 610 |
| CS chain stay length [mm] | 475 | 475 | 475 | 475 |
| HTA head tube angle [°] | 70,5 | 71 | 71 | 71,5 |
| STA seat tube angle [°] | 74 | 73,5 | 73,5 | 73 |
| BD bottom bracket drop [mm] | 70 | 70 | 70 | 70 |
| HT head tube [mm] | 130 | 140 | 155 | 175 |
| FL fork length [mm] | 477 | 477 | 477 | 477 |
| R reach [mm] | 385 | 391 | 397 | 404 |
| S stack [mm] | 627 | 638 | 653 | 674 |
| WB wheel base [mm] | 1101 | 1105 | 1116 | 1124 |
| SH stand over height [mm] | 627 | 627 | 631 | 635 |



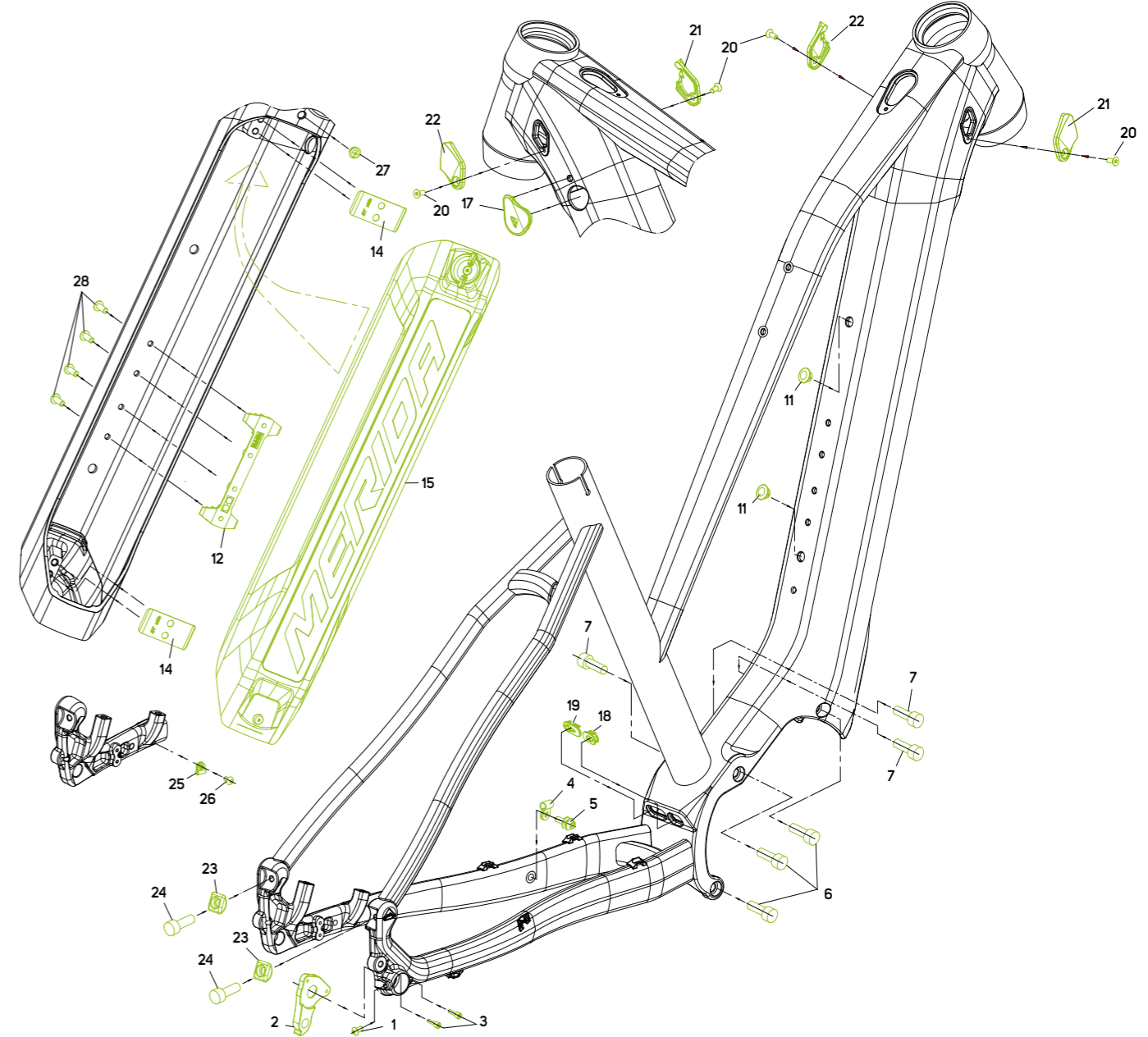
| | LITE IV | LITE IV HG | LITE III |
|------------------------------------------|----------------------------------------------------------------|-----------------------|------------------------|
| MAX. WHEELSIZE | 700x50C (with fender) | 700x50C (with fender) | 700x50C (with fender) |
| HEAD TUBE | | | |
| TAPERED 1-1/8" - 1.5" | | | |
| 1 1/2" & 1 1/2" | • | • | • |
| HEADSET | | | |
| SEMI-INTEGRATED (44-55 mm) | | | |
| INTEGRATED | • | • | • |
| BRAKE STANDARD | | | |
| DISC BRAKE ON CHAIN STAY | • | • | • |
| POST MOUNT 160 mm REAR BRAKE | • | | • |
| POST MOUNT 180 mm REAR BRAKE | | • | |
| SEATPOST DIAMETER | | | |
| 30.9 mm | | | |
| 34.9 mm | • | • | • |
| REAR DROPOUT-STANDARD | | | |
| THRU AXLE 12x142 mm | • | | • |
| HUB-GEAR SLIDER DO 9x135 mm | | • | |
| CABLE ROUTING | | | |
| INTERNAL SHIFTING CABLES | • | • | • |
| INTERNAL BRAKE CABLE | • | • | • |
| INTERNAL SEAT POST CABLE | • | • | • |
| DI2-READY | • | • | • |
| EQUIPMENT OPTIONS | | | |
| PLETSCHER 18 mm | • | • | • |
| CARRIER MOUNT FRAME (RACKTIME SHINE EVO) | • | • | • |
| CARRIER MOUNT FRAME (STANDARD) | • | • | • |
| FENDER MOUNT FRAME | • | • | • |
| FENDER MOUNT FORK | • | • | • |
| MOTOR INTERFACE | Shimano Type 2 | Shimano Type 2 | Shimano Type 2 |
| BATTERY | Shimano BT-E8036/8035-L or Simple TPS-004-35PA/TPP-001-35PA | | Shimano BT-E8036/8035L |
| SPEEDSENSOR MOUNT | SM-DUE11 | SM-DUE11 | SM-DUE11 |
| RD HANGER | DH-057 | DH-064A-L/R | DH-057 |

| | LITE III HG | LITE II | LITE |
|------------------------------------------|------------------------|-----------------------|------------------------|
| MAX. WHEELSIZE | 700x50C (with fender) | 700x50C (with fender) | 700x42 C (with fender) |
| HEAD TUBE | | | |
| TAPERED 1-1/8" - 1.5" | | • | • |
| 1 1/2" & 1 1/2" | • | | |
| HEADSET | | | |
| SEMI-INTEGRATED (44-55 mm) | | • | • |
| INTEGRATED | • | | |
| BRAKE STANDARD | | | |
| DISC BRAKE ON CHAIN STAY | • | • | • |
| POST MOUNT 160 mm REAR BRAKE | | • | • |
| POST MOUNT 180 mm REAR BRAKE | • | | |
| SEATPOST DIAMETER | | | |
| 30.9 mm | | | • |
| 34.9 mm | • | • | |
| REAR DROPOUT-STANDARD | | | |
| THRU AXLE 12x142 mm | | • | • |
| HUB-GEAR SLIDER DO 9x135 mm | • | | |
| CABLE ROUTING | | | |
| INTERNAL SHIFTING CABLES | • | • | • |
| INTERNAL BRAKE CABLE | • | • | • |
| INTERNAL SEAT POST CABLE | • | • | • |
| DI2-READY | • | • | • |
| EQUIPMENT OPTIONS | | | |
| PLETSCHER 18 mm | • | • | • |
| CARRIER MOUNT FRAME (RACKTIME SHINE EVO) | • | • | • |
| CARRIER MOUNT FRAME (STANDARD) | • | • | • |
| FENDER MOUNT FRAME | • | • | • |
| FENDER MOUNT FORK | • | • | • |
| MOTOR INTERFACE | Shimano Type 2 | Shimano Type 2 | Shimano Type 2 |
| BATTERY | Shimano BT-E8036/8035L | Shimano BT-E8035 | Shimano BT-E8016/8010 |
| SPEEDSENSOR MOUNT | SM-DUE11 | SM-DUE11 | SM-DUE11 |
| RD HANGER | DH-064A-L/R | DH-057 | DH-057 |

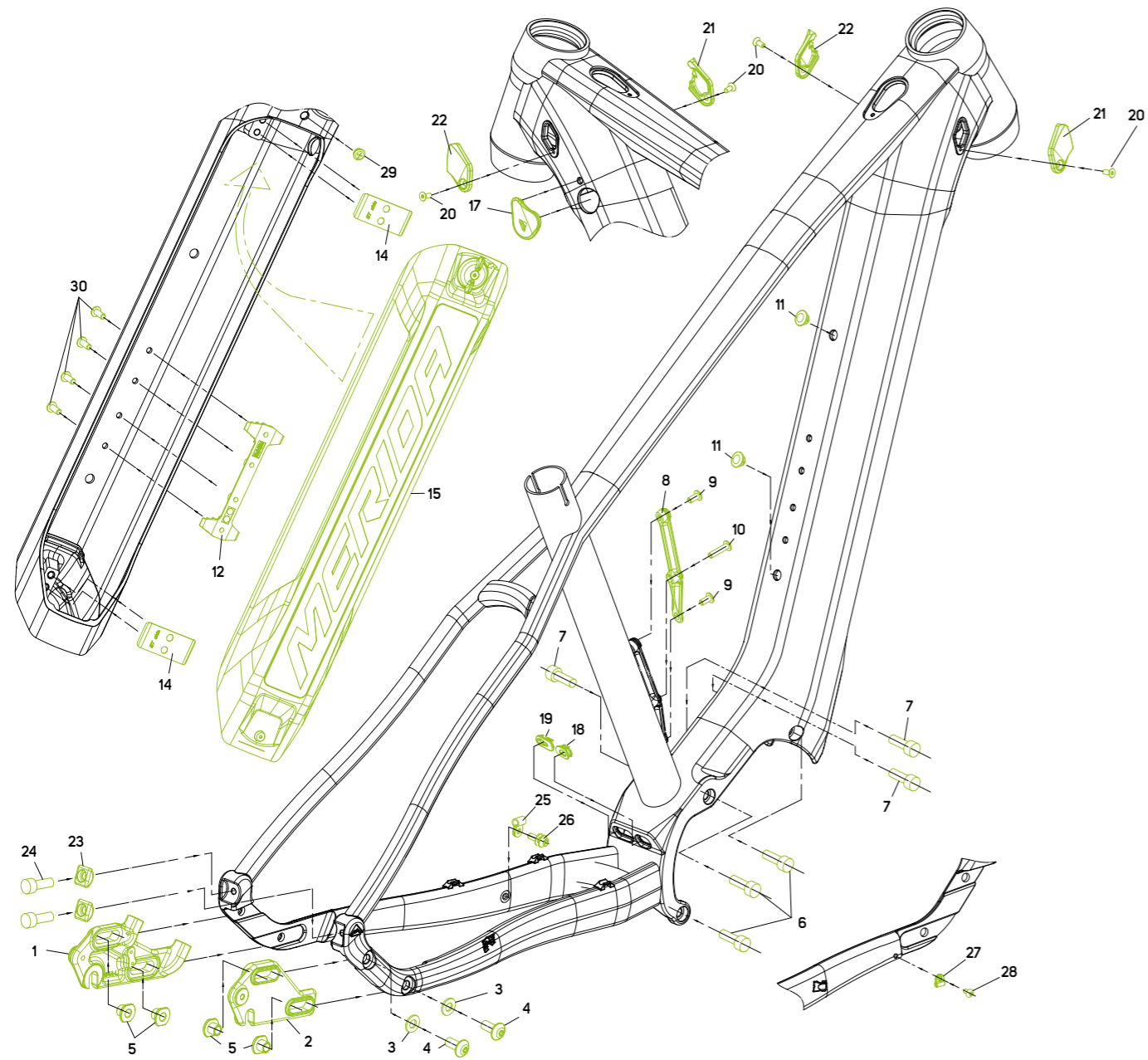




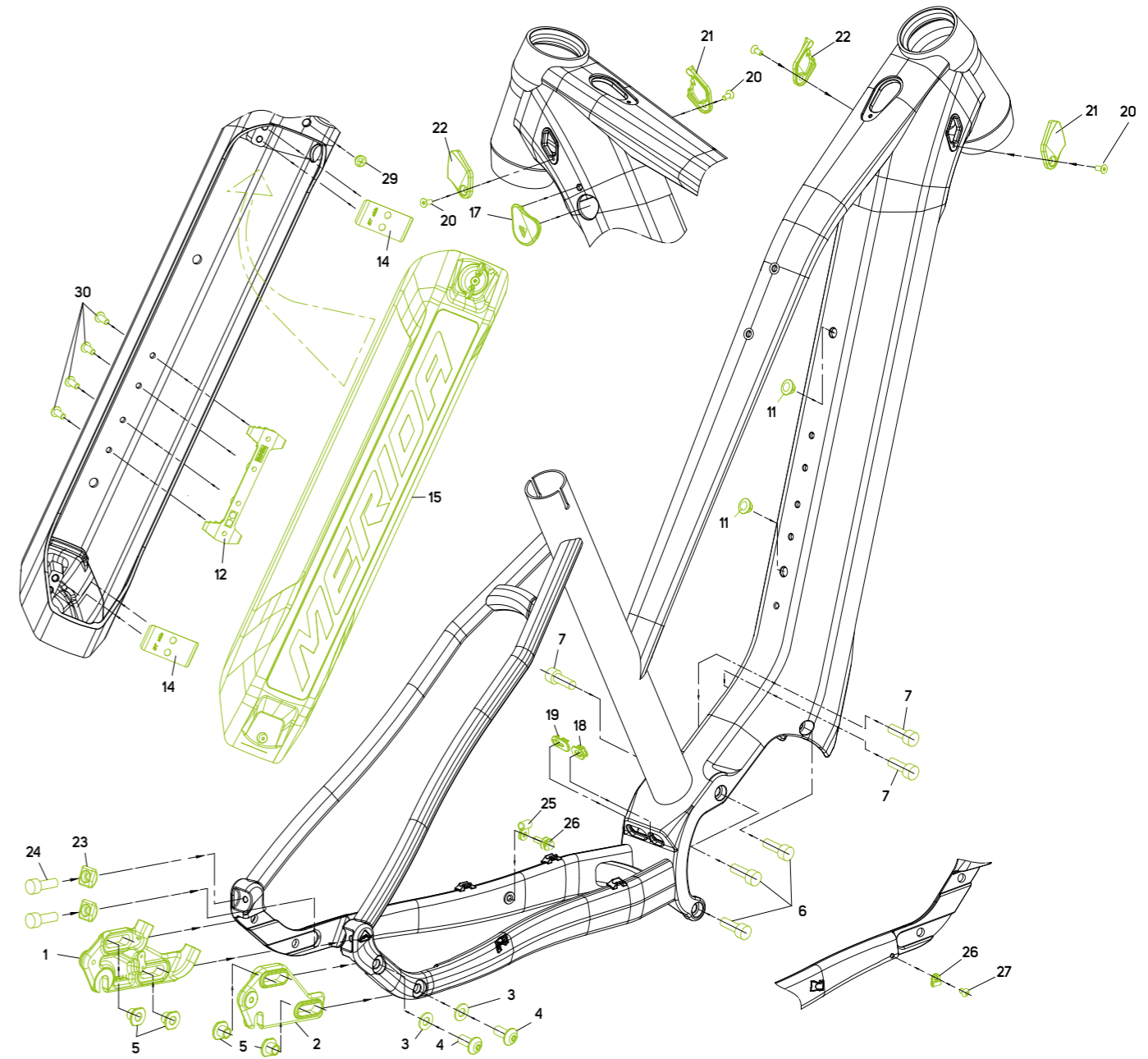
| No. | Item No. | Item | Detail information | Pieces | Torque Nm | No. | Item No. | Item | Detail information | Pieces | Torque Nm |
|-----|------------|--------------|-------------------------|--------|-----------|-----|------------|--------------------|--------------------|--------|-----------|
| 1 | 2300005272 | SCREW | | 1 | | 15 | 2161002133 | ENERGY GUARD TWIST | | 1 | |
| 2 | 2311005101 | DROPOUT | DH - 057 (see page 610) | 1 | | 17 | 2143003967 | PLUG | | 1 | |
| 3 | 2300009458 | SCREW | | 2 | 4 | 18 | 2258004471 | CABLE GUIDE | | 1 | |
| 4 | 2258001133 | CABLE GUIDE | | 1 | | 19 | 2258004943 | CABLE GUIDE | | 1 | |
| 5 | 2298010710 | SCREW | | 1 | 5 | 20 | 2300011768 | SCREW | | 2 | 2,5 |
| 6 | 2300015751 | SCREW | | 3 | 12 | 21 | 2258005386 | CABLE GUIDE | | 1 | |
| 7 | 2300015762 | SCREW | | 3 | 12 | 22 | 2258005397 | CABLE GUIDE | | 1 | |
| 8 | 2136001371 | BC-MOUNT | | 1 | | 23 | 2143003213 | BLIND PLUG | | 2 | |
| 9 | 2298010710 | SCREW | | 2 | 5 | 24 | 2298011131 | SCREW | | 2 | 8 |
| 10 | 2298011164 | SCREW | | 1 | 5 | 25 | 2258004910 | CABLE GUIDE | | 1 | |
| 11 | 2143003600 | PLUG | | 2 | | 26 | 2300015546 | SCREW | | 1 | 2,5 |
| 12 | 2161002229 | CABLE GUIDE | | 1 | | 27 | 2143003893 | CABLE GUIDE | | 1 | |
| 14 | 2111001046 | CABLE HOLDER | | 2 | | 28 | 2298010710 | SCREW | | 4 | 5 |



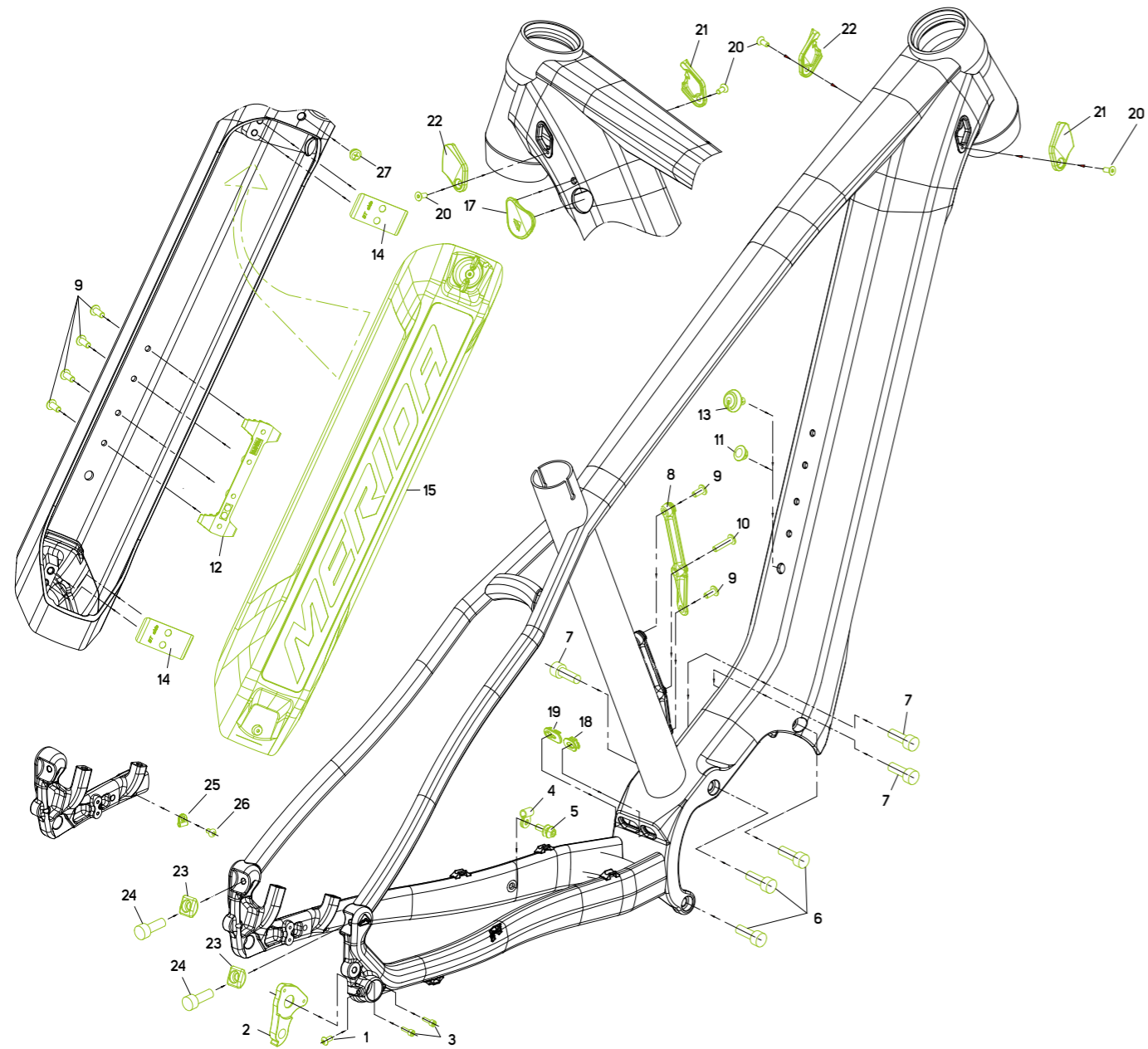
| No. | Item No. | Item | Detail information | Pieces | Torque Nm | No. | Item No. | Item | Detail information | Pieces | Torque Nm |
|-----|------------|--------------------|-------------------------|--------|-----------|-----|------------|-------------|--------------------|--------|-----------|
| 1 | 2300005272 | SCREW | | 1 | | 19 | 2258004943 | CABLE GUIDE | | 1 | |
| 2 | 2311005101 | DROPOUT | DH - 057 (see page 610) | 1 | | 20 | 2300011768 | SCREW | | 2 | 2,5 |
| 3 | 2300009458 | SCREW | | 2 | 4 | 21 | 2258005386 | CABLE GUIDE | | 1 | |
| 4 | 2258001133 | CABLE GUIDE | | 1 | | 22 | 2258005397 | CABLE GUIDE | | 1 | |
| 5 | 2298010710 | SCREW | | 1 | 5 | 23 | 2143003213 | BLIND PLUG | | 2 | |
| 6 | 2300015751 | SCREW | | 3 | 12 | 24 | 2298011131 | SCREW | | 2 | 8 |
| 7 | 2300015762 | SCREW | | 3 | 12 | 25 | 2258004910 | CABLE GUIDE | | 1 | |
| 11 | 2143003600 | PLUG | | 2 | | 26 | 2300015546 | SCREW | | 1 | 2,5 |
| 12 | 2161002229 | CABLE GUIDE | | 1 | | 27 | 2143003893 | CABLE GUIDE | | 1 | |
| 14 | 2111001046 | CABLE HOLDER | | 2 | | 28 | 2298010710 | SCREW | | 4 | 5 |
| 15 | 2161002133 | ENERGY GUARD TWIST | | 1 | | | | | | | |
| 17 | 2143003967 | PLUG | | 1 | | | | | | | |
| 18 | 2258004471 | CABLE GUIDE | | 1 | | | | | | | |



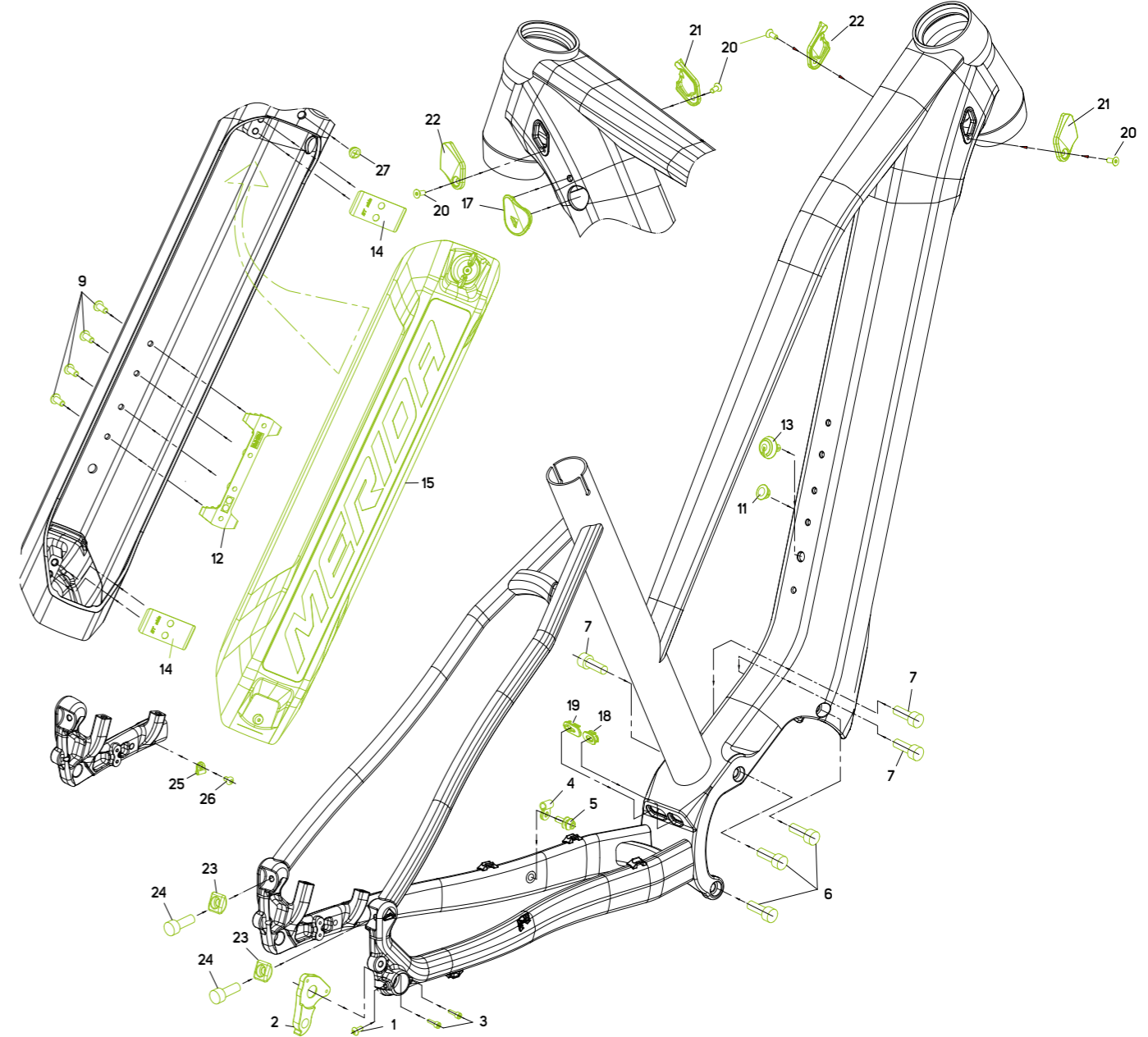
| No. | Item No. | Item | Detail information | Pieces | Torque Nm | No. | Item No. | Item | Detail information | Pieces | Torque Nm |
|-----|------------|--------------------|--------------------|--------|-----------|-----|------------|-------------|--------------------|--------|-----------|
| 1 | 2311005587 | DROPOUT | DH - 064A - L | 1 | | 17 | 2143003967 | PLUG | | 1 | |
| 2 | 2311005598 | DROPOUT | DH - 064A - R | 1 | | 18 | 2258004471 | CABLE GUIDE | | 1 | |
| 3 | 2294002501 | WASHER | | 4 | | 19 | 2258004943 | CABLE GUIDE | | 1 | |
| 4 | 2300014437 | SCREW | | 4 | 14 | 20 | 230001768 | SCREW | | 2 | 2,5 |
| 5 | 2300014932 | NUT | | 4 | | 21 | 2258005386 | CABLE GUIDE | | 1 | |
| 6 | 2300015751 | SCREW | | 3 | 12 | 22 | 2258005397 | CABLE GUIDE | | 1 | |
| 7 | 2300015762 | SCREW | | 3 | 12 | 23 | 2143003213 | BLIND PLUG | | 2 | |
| 8 | 2136001371 | BC-MOUNT | | 1 | | 24 | 2298011131 | SCREW | | 2 | 8 |
| 9 | 2298012187 | SCREW | | 2 | 5 | 25 | 2258001133 | CABLE GUIDE | | 1 | |
| 10 | 2298011164 | SCREW | | 1 | 5 | 26 | 2298010710 | SCREW | | 1 | 5 |
| 11 | 2143003600 | PLUG | | 2 | | 27 | 2258004910 | CABLE GUIDE | | 1 | |
| 12 | 2161002229 | CABLE GUIDE | | 1 | | 28 | 2300005272 | SCREW | | 1 | |
| 14 | 2111001046 | CABLE HOLDER | | 2 | | 29 | 2143003893 | CABLE GUIDE | | 1 | |
| 15 | 2161002133 | ENERGY GUARD TWIST | | 1 | | 30 | 2298010710 | SCREW | | 4 | 5 |



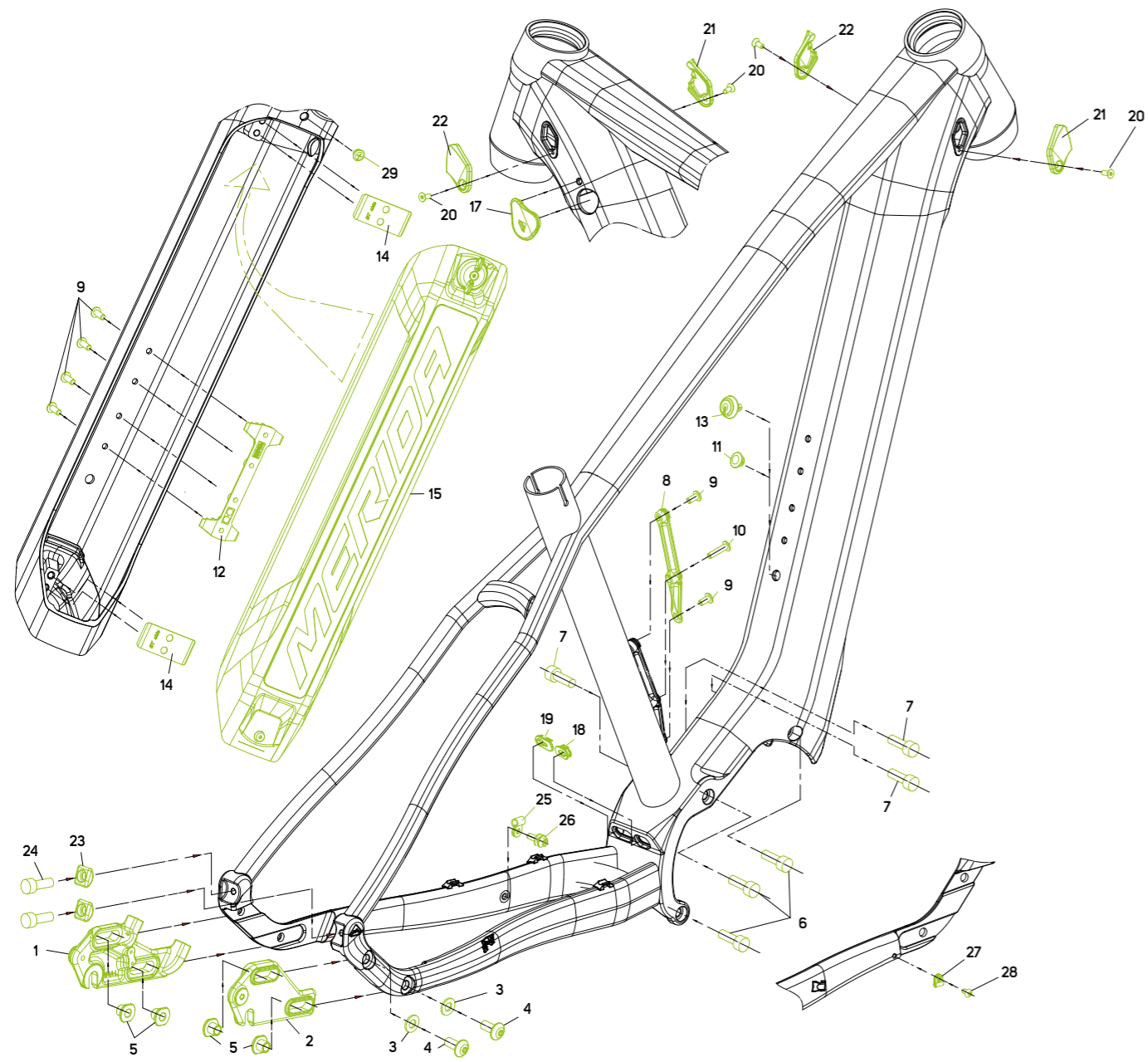
| No. | Item No. | Item | Detail information | Pieces | Torque Nm | No. | Item No. | Item | Detail information | Pieces | Torque Nm |
|-----|------------|--------------------|--------------------|--------|-----------|-----|------------|-------------|--------------------|--------|-----------|
| 1 | 2311005587 | DROPOUT | DH - 064A - L | 1 | | 20 | 230001768 | SCREW | | 2 | 2,5 |
| 2 | 2311005598 | DROPOUT | DH - 064A - R | 1 | | 21 | 2258005386 | CABLE GUIDE | | 1 | |
| 3 | 2294002501 | WASHER | | 4 | | 22 | 2258005397 | CABLE GUIDE | | 1 | |
| 4 | 2300014437 | SCREW | | 4 | 14 | 23 | 2143003213 | BLIND PLUG | | 2 | |
| 5 | 2300014932 | NUT | | 4 | | 24 | 2298011131 | SCREW | | 2 | 8 |
| 6 | 2300015751 | SCREW | | 3 | 12 | 25 | 2258001133 | CABLE GUIDE | | 1 | |
| 7 | 2300015762 | SCREW | | 3 | 12 | 26 | 2298010710 | CABLE GUIDE | | 1 | 5 |
| 11 | 2143003600 | PLUG | | 2 | | 27 | 2258004910 | SCREW | | 1 | |
| 12 | 2161002229 | CABLE GUIDE | | 1 | | 29 | 2143003893 | CABLE GUIDE | | 1 | |
| 14 | 2111001046 | CABLE HOLDER | | 2 | | 30 | 2298010710 | SCREW | | 4 | 5 |
| 15 | 2161002133 | ENERGY GUARD TWIST | | 1 | | | | | | | |
| 17 | 2143003967 | PLUG | | 1 | | | | | | | |
| 18 | 2258004471 | CABLE GUIDE | | 1 | | | | | | | |
| 19 | 2258004943 | CABLE GUIDE | | 1 | | | | | | | |



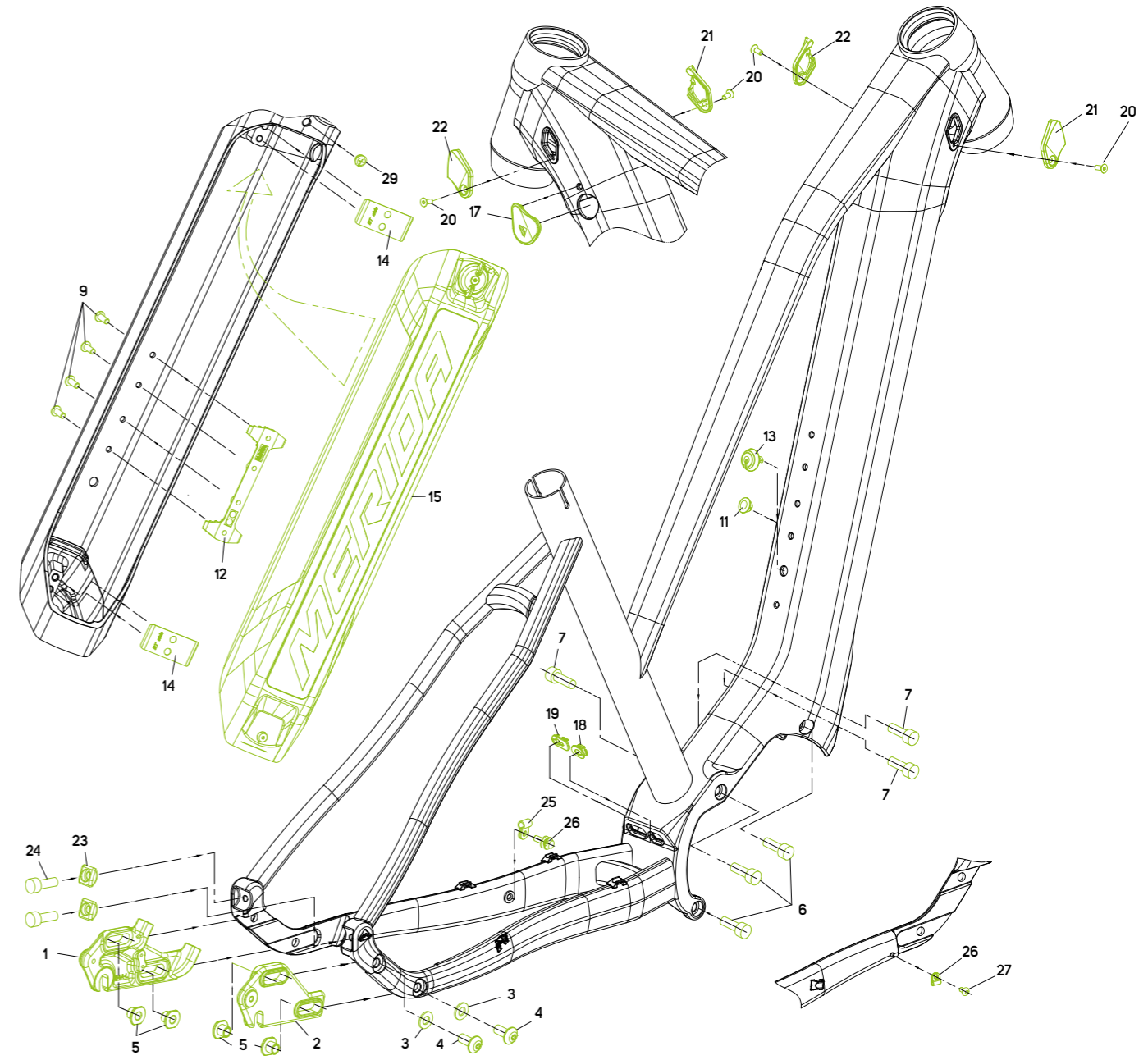
| No. | Item No. | Item | Detail information | Pieces | Torque Nm | No. | Item No. | Item | Detail information | Pieces | Torque Nm |
|-----|------------|-----------------|-------------------------|--------|-----------|-----|------------|--------------------|--------------------|--------|-----------|
| 1 | 2300005272 | SCREW | | 1 | | 14 | 211001046 | CABLE HOLDER | | 2 | |
| 2 | 2311005101 | DROPOUT | DH - 057 (see page 610) | 1 | | 15 | 2161002133 | ENERGY GUARD TWIST | | 1 | |
| 3 | 2300009458 | SCREW | | 2 | 4 | 17 | 2143003967 | SCREW | | 1 | |
| 4 | 2258001133 | CABLE GUIDE | | 1 | | 18 | 2258004471 | CABLE GUIDE | | 1 | |
| 5 | 2298010710 | SCREW | | 1 | 5 | 19 | 2258004943 | CABLE GUIDE | | 1 | |
| 6 | 2300015751 | SCREW | | 3 | 12 | 20 | 2300011768 | SCREW | | 2 | 2,5 |
| 7 | 2300015762 | SCREW | | 3 | 12 | 21 | 2258005386 | CABLE GUIDE | | 1 | |
| 8 | 2136001371 | BC-MOUNT | | 1 | | 22 | 2258005397 | CABLE GUIDE | | 1 | |
| 9 | 2298012187 | SCREW | | 6 | 5 | 23 | 2143003213 | BLIND PLUG | | 2 | |
| 10 | 2298011164 | SCREW | | 1 | 5 | 24 | 2298011131 | SCREW | | 2 | 8 |
| 11 | 2143003600 | PLUG | | 1 | | 25 | 2258004910 | CABLE GUIDE | | 1 | |
| 12 | 2161002229 | CABLE GUIDE | | 1 | | 26 | 2300015546 | SCREW | | 1 | 2,5 |
| 13 | 2143003923 | ON / OFF BUTTON | | 1 | | 27 | 2143003893 | CABLE GUIDE | | 1 | |



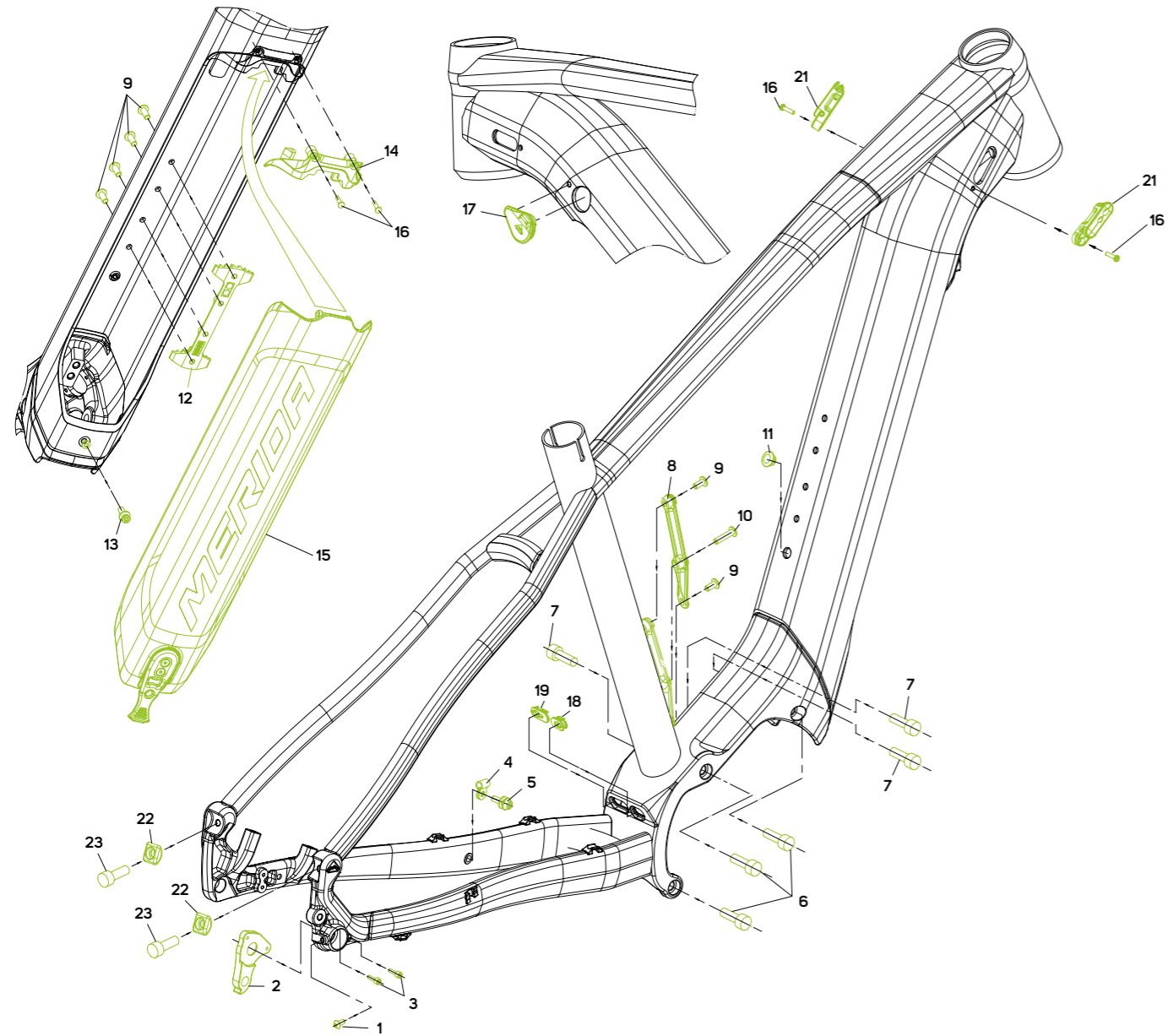
| No. | Item No. | Item | Detail information | Pieces | Torque Nm | No. | Item No. | Item | Detail information | Pieces | Torque Nm |
|-----|------------|--------------------|-------------------------|--------|-----------|-----|------------|-------------|--------------------|--------|-----------|
| 1 | 2300005272 | SCREW | | 1 | | 17 | 2143003967 | PLUG | | 1 | |
| 2 | 2311005101 | DROPOUT | DH - 057 (see page 610) | 1 | | 18 | 2258004471 | CABLE GUIDE | | 1 | |
| 3 | 2300009458 | SCREW | | 2 | 4 | 19 | 2258004943 | CABLE GUIDE | | 1 | |
| 4 | 2258001133 | CABLE GUIDE | | 1 | | 20 | 2300011768 | SCREW | | 2 | 2,5 |
| 5 | 2298010710 | SCREW | | 1 | 5 | 21 | 2258005386 | CABLE GUIDE | | 1 | |
| 6 | 2300015751 | SCREW | | 3 | 12 | 22 | 2258005397 | CABLE GUIDE | | 1 | |
| 7 | 2300015762 | SCREW | | 3 | 12 | 23 | 2143003213 | BLIND PLUG | | 2 | |
| 9 | 2298012187 | SCREW | | 6 | 5 | 24 | 2298011131 | SCREW | | 2 | 8 |
| 11 | 2143003600 | PLUG | | 1 | | 25 | 2258004910 | CABLE GUIDE | | 1 | |
| 12 | 2161002229 | CABLE GUIDE | | 1 | | 26 | 2300015546 | SCREW | | 1 | 2,5 |
| 13 | 2143003923 | ON / OFF BUTTON | | 1 | | 27 | 2143003893 | CABLE GUIDE | | 1 | |
| 14 | 211001046 | CABLE HOLDER | | 2 | | 26 | 2300015546 | SCREW | | 1 | 2,5 |
| 15 | 2161002133 | ENERGY GUARD TWIST | | 1 | | 27 | 2143003893 | CABLE GUIDE | | 1 | |



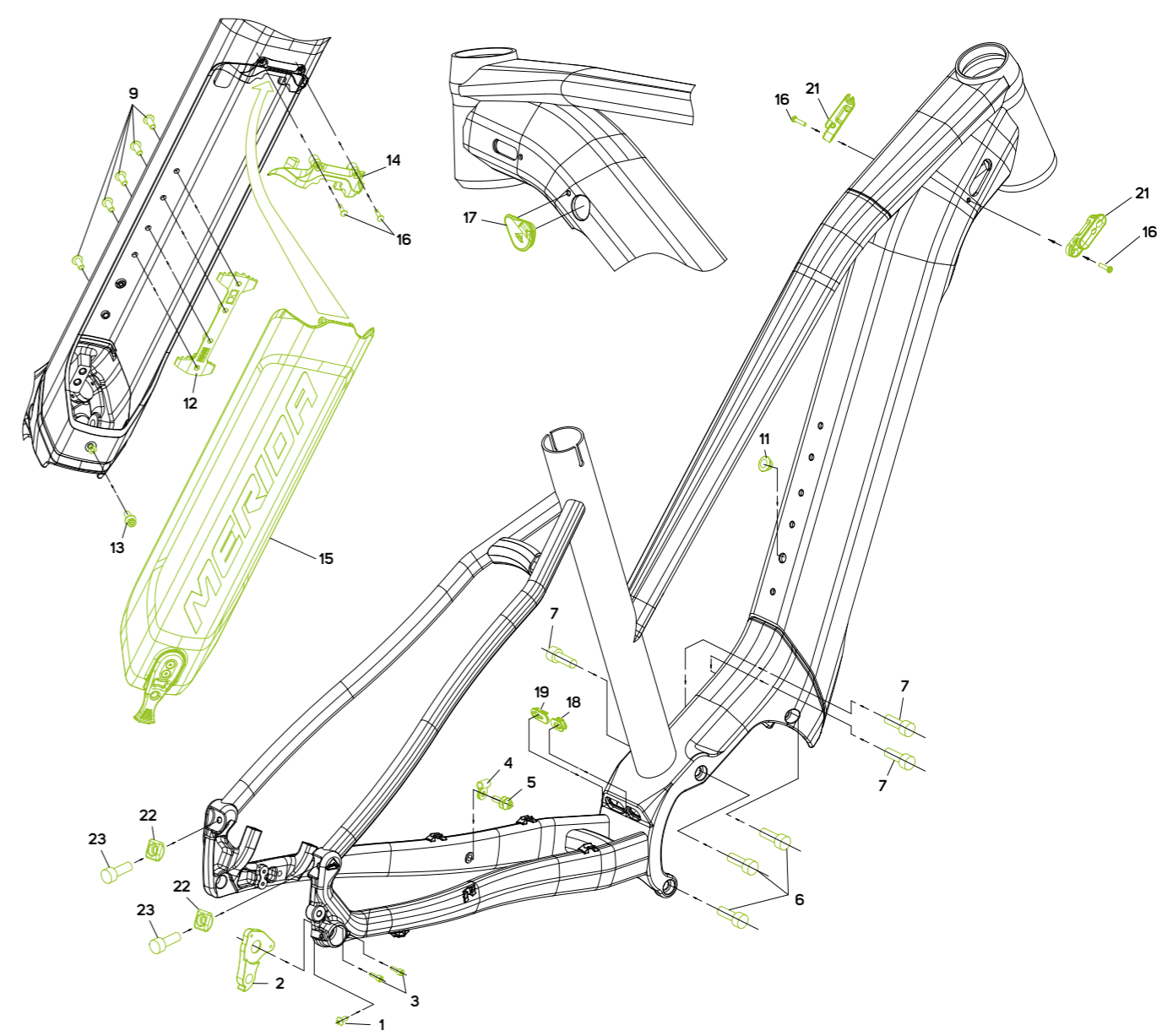
| No. | Item No. | Item | Detail information | Pieces | Torque Nm | No. | Item No. | Item | Detail information | Pieces | Torque Nm |
|-----|------------|-----------------|--------------------|--------|-----------|-----|------------|--------------------|--------------------|--------|-----------|
| 1 | 2311005587 | DROPOUT | DH - 064A - L | 1 | | 15 | 2161002133 | ENERGY GUARD TWIST | | 1 | |
| 2 | 2311005598 | DROPOUT | DH - 064A - R | 1 | | 17 | 2143003967 | PLUG | | 1 | |
| 3 | 2294002501 | WASHER | | 4 | | 18 | 2258004471 | CABLE GUIDE | | 1 | |
| 4 | 2300014437 | SCREW | | 4 | | 19 | 2258004943 | CABLE GUIDE | | 1 | |
| 5 | 2300014932 | NUT | | 4 | 14 | 20 | 2300011768 | SCREW | | 2 | 2,5 |
| 6 | 2300015751 | SCREW | | 3 | 12 | 21 | 2258005386 | CABLE GUIDE | | 1 | |
| 7 | 2300015762 | SCREW | | 3 | 12 | 22 | 2258005397 | CABLE GUIDE | | 1 | |
| 8 | 2136001371 | BC-MOUNT | | 1 | | 23 | 2143003213 | BLIND PLUG | | 2 | |
| 9 | 2298012187 | SCREW | | 6 | 5 | 24 | 2298011131 | SCREW | | 2 | 8 |
| 10 | 2298011164 | SCREW | | 1 | 5 | 25 | 2258001133 | CABLE GUIDE | | 1 | |
| 11 | 2143003600 | PLUG | | 1 | | 26 | 2298010710 | SCREW | | 1 | 5 |
| 12 | 2161002229 | CABLE GUIDE | | 1 | | 27 | 2258004910 | CABLE GUIDE | | 1 | |
| 13 | 2143003923 | ON / OFF BUTTON | | 1 | | 28 | 2300005272 | SCREW | | 1 | |
| 14 | 2111001046 | CABLE HOLDER | | 2 | | 29 | 2143003893 | CABLE GUIDE | | 1 | |



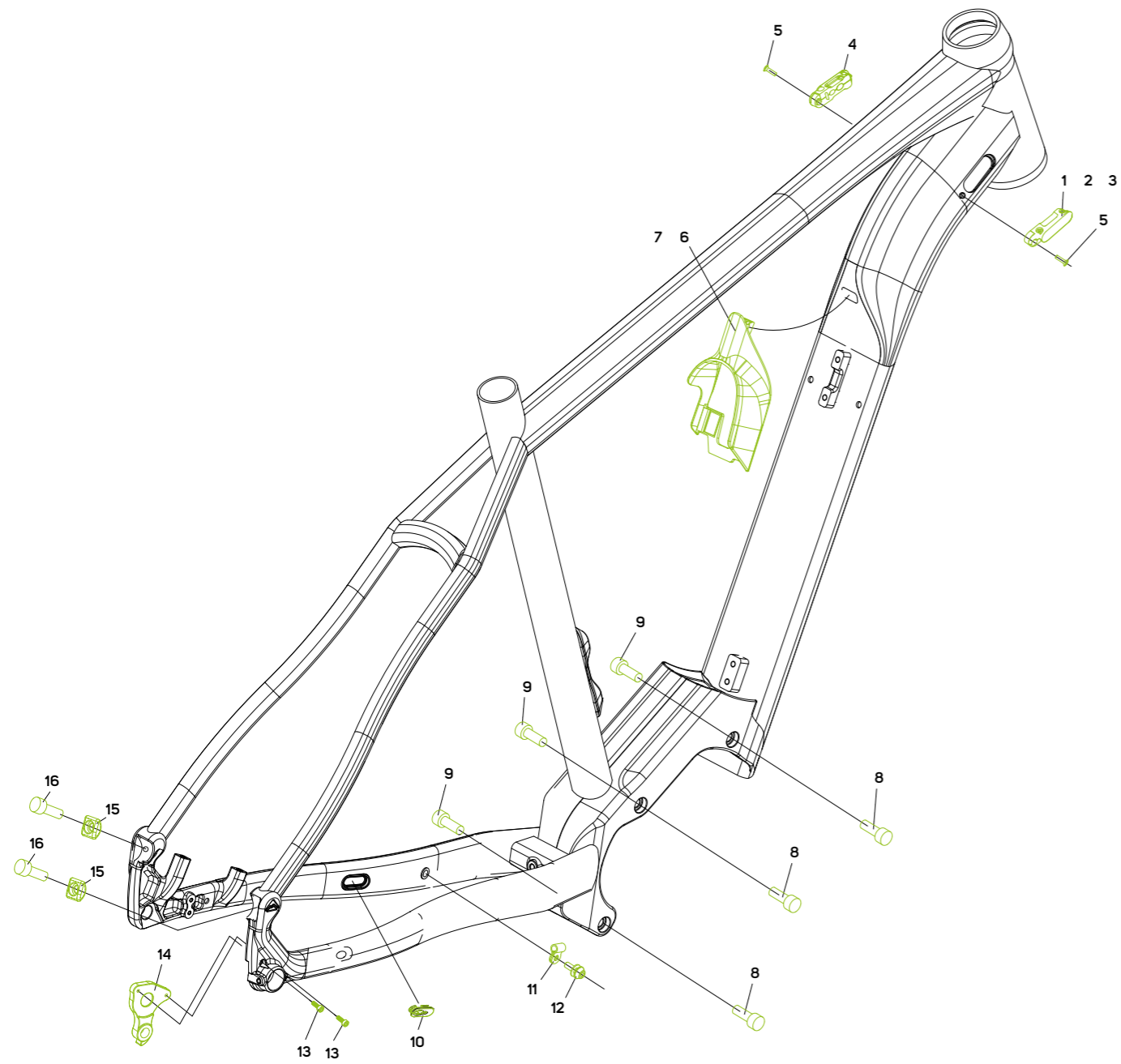
| No. | Item No. | Item | Detail information | Pieces | Torque Nm | No. | Item No. | Item | Detail information | Pieces | Torque Nm |
|-----|------------|--------------------|--------------------|--------|-----------|-----|------------|-------------|--------------------|--------|-----------|
| 1 | 2311005587 | DROPOUT | DH - 064A - L | 1 | | 18 | 2258004471 | CABLE GUIDE | | 1 | |
| 2 | 2311005598 | DROPOUT | DH - 064A - R | 1 | | 19 | 2258004943 | CABLE GUIDE | | 1 | |
| 3 | 2294002501 | WASHER | | 4 | | 20 | 2300011768 | SCREW | | 2 | 2,5 |
| 4 | 2300014437 | SCREW | | 4 | 14 | 21 | 2258005386 | CABLE GUIDE | | 1 | |
| 5 | 2300014932 | NUT | | 4 | | 22 | 2258005397 | CABLE GUIDE | | 1 | |
| 6 | 2300015751 | SCREW | | 3 | 12 | 23 | 2143003213 | BLIND PLUG | | 2 | |
| 7 | 2300015762 | SCREW | | 3 | 12 | 24 | 2298011131 | SCREW | | 2 | 8 |
| 9 | 2298012187 | SCREW | | 6 | 5 | 25 | 2258001133 | CABLE GUIDE | | 1 | |
| 11 | 2143003600 | PLUG | | 1 | | 26 | 2298010710 | SCREW | | 1 | 5 |
| 12 | 2161002229 | CABLE GUIDE | | 1 | | 27 | 2258004910 | CABLE GUIDE | | 1 | |
| 13 | 2143003923 | ON / OFF BUTTON | | 1 | | 29 | 2143003893 | CABLE GUIDE | | 1 | |
| 14 | 2111001046 | CABLE HOLDER | | 2 | | 28 | 2300005272 | SCREW | | 1 | |
| 15 | 2161002133 | ENERGY GUARD TWIST | | 1 | | 29 | 2143003893 | CABLE GUIDE | | 1 | |
| 17 | 2143003967 | PLUG | | 1 | | 30 | 2298010710 | SCREW | | 4 | 5 |



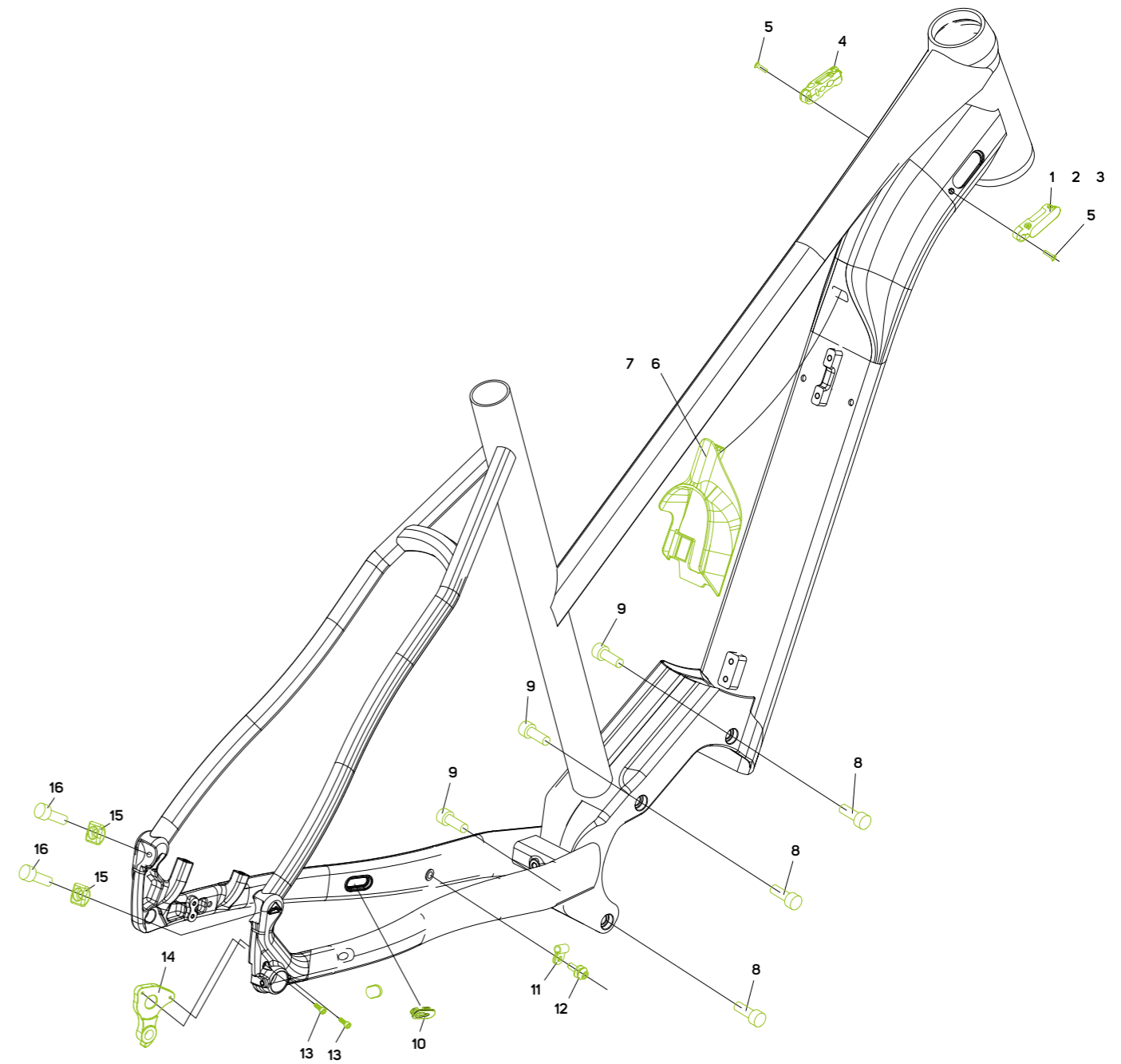
| No. | Item No. | Item | Detail information | Pieces | Torque Nm | No. | Item No. | Item | Detail information | Pieces | Torque Nm |
|-----|------------|-------------|-----------------------|--------|-----------|-----|------------|--------------|--------------------------|--------|-----------|
| 1 | 2300005272 | SCREW | | 1 | | 13 | 2300014857 | SCREW | | 1 | 5 |
| 2 | 2311005101 | DROPOUT | DH-057 (see page 610) | 1 | | 14 | 2161001314 | COVER MOUNT | | 1 | |
| 3 | 2300009458 | SCREW | | 2 | 4 | 15 | 2161001660 | ENERGY GUARD | | 1 | |
| 4 | 2258001133 | CABLE GUIDE | | 1 | | 16 | 2300011412 | SCREW | | 4 | 4 |
| 5 | 2298010710 | SCREW | | 1 | 5 | 17 | 2143003611 | PLUG | | 1 | |
| 6 | 2300012101 | SCREW | | 3 | 16 | 18 | 2258004471 | CABLE GUIDE | | 1 | |
| 7 | 2300012112 | SCREW | | 3 | 16 | 19 | 2258004943 | CABLE GUIDE | | 1 | |
| 8 | 2136001371 | BC-MOUNT | | 1 | | 21 | | SMART ENTRY | (see page 606) | | |
| 9 | 2298012187 | SCREW | | 6 | 5 | 22 | 2143003213 | BLIND PLUG | if no carrier is mounted | 2 | |
| 10 | 2298011164 | SCREW | | 1 | 5 | 23 | 2298011131 | SCREW | if no carrier is mounted | 2 | 8 |
| 11 | 2143003600 | PLUG | | 1 | | | | | | | |
| 12 | 2161001303 | CABLE GUIDE | | 1 | | | | | | | |



| No. | Item No. | Item | Detail information | Pieces | Torque Nm | No. | Item No. | Item | Detail information | Pieces | Torque Nm |
|-----|------------|-------------|-----------------------|--------|-----------|-----|------------|--------------|--------------------------|--------|-----------|
| 1 | 2300005272 | SCREW | | 1 | | 14 | 2161001314 | COVER MOUNT | | 1 | |
| 2 | 2311005101 | DROPOUT | DH-057 (see page 610) | 1 | | 15 | 2161001660 | ENERGY GUARD | | 1 | |
| 3 | 2300009458 | SCREW | | 2 | 4 | 16 | 2300011412 | SCREW | | 4 | 4 |
| 4 | 2258001133 | CABLE GUIDE | | 1 | | 17 | 2143003611 | PLUG | | 1 | |
| 5 | 2298002501 | SCREW | | 1 | 5 | 18 | 2258004471 | CABLE GUIDE | | 1 | |
| 6 | 2300012101 | SCREW | | 3 | 16 | 19 | 2258004943 | CABLE GUIDE | | 1 | |
| 7 | 2300012112 | SCREW | | 3 | 16 | 21 | | SMART ENTRY | (see page 606) | | |
| 11 | 2143003600 | PLUG | | 1 | | 22 | 2143003213 | BLIND PLUG | if no carrier is mounted | 2 | |
| 12 | 2161001303 | CABLE GUIDE | | 1 | | 23 | 2298011131 | SCREW | if no carrier is mounted | 2 | 8 |
| 13 | 2300014857 | SCREW | | 1 | 5 | | | | | | |



| No. | Item No. | Item | Detail information | Pieces | Torque Nm |
|-----|------------|---------------|--------------------------|--------|-----------|
| 1-5 | | SMART ENTRY | (see page 606) | | |
| 6 | 2161000670 | BATTERY COVER | for sizes S / M / L / XL | 1 | |
| 7 | 2161000681 | BATTERY COVER | for size XS | 1 | |
| 8 | 2300012101 | SCREW | | 3 | 16 |
| 9 | 2300012112 | SCREW | | 3 | 16 |
| 10 | 2258004943 | CABLE GUIDE | | 1 | |
| 11 | 2258000217 | CABLE GUIDE | | 1 | |
| 12 | 2298002501 | SCREW | | 1 | 7 |
| 13 | 2300009458 | SCREW | | 2 | 4 |
| 14 | 2311005101 | DROPOUT | DH-057 (see page 610) | 1 | |
| 15 | 2143003213 | BLIND PLUG | if no carrier is mounted | 2 | |
| 16 | 2298011131 | SCREW | if no carrier is mounted | 2 | 8 |



| No. | Item No. | Item | Detail information | Pieces | Torque Nm |
|-----|------------|---------------|--------------------------|--------|-----------|
| 1-5 | | SMART ENTRY | (see page 606) | | |
| 6 | 2161000670 | BATTERY COVER | for sizes S / M / L / XL | 1 | |
| 7 | 2161000681 | BATTERY COVER | for size XS | 1 | |
| 8 | 2300012101 | SCREW | | 3 | 16 |
| 9 | 2300012112 | SCREW | | 3 | 16 |
| 10 | 2258004943 | CABLE GUIDE | | 1 | |
| 11 | 2258000217 | CABLE GUIDE | | 1 | |
| 12 | 2298002501 | SCREW | | 1 | 7 |
| 13 | 2300009458 | SCREW | | 2 | 4 |
| 14 | 2311005101 | DROPOUT | DH-057 (see page 610) | 1 | |
| 15 | 2143003213 | BLIND PLUG | if no carrier is mounted | 2 | |
| 16 | 2298011131 | SCREW | if no carrier is mounted | 2 | 8 |

eSPRESSO CITY

ASSISTED LOW STEP-THROUGH COMFORT

Our hugely popular and versatile low step-through eSPRESSO is getting some exciting upgrades for 2021. All models (except the 300 SE) will feature the 'Energy Cradle' frame design that holds the new 745 Wh from Simplo or 630 Wh battery from Shimano and will have an even lower and wider step-through. The new frame is available in derailleur drivetrain and hub gear version and maintains its excellent frame stiffness. The eSPRESSO CITY's modern design, in combination with the purposeful and hugely comfortable geometry as well as the seamless integration of the whole spectrum of Shimano's powerful STePS motors (including the new and highly powerful EP8 power unit), sets the CITY apart from other city e-bikes. A low centre of gravity, paired with a strong and stiff frame enables the eSPRESSO CITY to deliver fantastic riding characteristics in any situation. Mounting and dismounting the eSPRESSO CITY is very easy due to its extremely low step-through height.



5

LOW STEP-THROUGH

The Shimano mid-mounted motor, in combination with the forged (LITE) or casted (LITE II) motor bracket provides the eSPRESSO CITY with one of the lowest step-through heights in the market.

6

EXCELLENT FRAME STIFFNESS THROUGH ENERGY CRADLE

Unique cradle like shaping of the down-tube to accommodate the battery, without losing the all important frame stiffness of our low step-through frames. By not adding cutouts to the downtube, we can maintain the outstanding frame stiffness, that prevents our low step-through bikes from wobbling under load. Paired with an aluminium battery cover, the frames give the impression of an integrated battery, without sacrificing stability and battery accessibility. The tapered head tube, the large tube diameters and the forged motor bracket all contribute to achieving a safe and precise riding experience.

7

MASSLOAD CARRIER

The eSPRESSO CITY range is equipped with the new stylish Massload rear carrier, that offers a maximum load of 27 kg and features an integrated rear light.

1

INTERNAL CABLE ROUTING / SMART ENTRY

We feature internal cable routing on all our eSPRESSO CITY models. Cables are routed through the frame, entering and exiting through smooth sockets. Only a clever system for our internal guiding and fixing guarantees reliable and rattle free routing and gives the bike a cleaner look.

2

FAST-ROLLING 700C WHEELS

Our eSPRESSO CITY range rides on fast-rolling 700c wheels, ideal for rides on roads, lanes and smooth tracks. However, our eSPRESSO frames can also take 650B wheels if needed. We fit tyres with reflective sidewalls and puncture protection that will get you to your destination quickly and safely.

3

OPTIMISED CENTRE OF GRAVITY

Based on the central position of the battery at the lowest position in the down tube and the low position of the Shimano motor, we were able to achieve an optimum centre of gravity. The low and well-positioned centre of gravity provides the bike with outstanding riding characteristics which are extremely important in particular in wave low step-through frames which have the tendency to chatter and jitter when power is applied.

4

HUB OR DERAILLEUR GEARS

In the city/trekking sector, hub gear drivetrains have become more or less the standard. We offer eSPRESSO CITY hub gear frames with slider dropouts for smooth and easy chain tensioning. Furthermore, the dropouts on both frames, hub gear and derailleur drivetrain, have standard carrier mounts.

eSPRESSO CITY EP8-EDITION EQ

MATT ANTHRACITE (BLACK)

LITE II HFS-hydroforming Prolite 61 double butted aluminium frame featuring 'Energy Cradle' technology for maximum frame stiffness and stability. Based around fast-rolling 700c wheels and with commuting and leisure riding in mind. A higher front end and a compact geometry make for a more upright and extremely comfortable riding position. Comes equipped with mudguards, rear rack, side stand, lock and lights.

| URBAN | COMMUTING | TOUR | LEISURE |



| | |
|-----------------------|--------------------------------------------------------------------------------------------------------------------------------|
| FRAME | eSPRESSO CITY LITE II, material: aluminium, 700x50C (with fender) max. wheelsize, 135x9mm axle standard, internal, max. 630 Wh |
| FRAME SIZE | XS, S, M, L, XL |
| FORK | Suntour NCX LO, Air, 63mm suspension travel, Tapered, 700x50C max. wheelsize |
| BRAKES | Shimano Deore T6000 |
| ROTORS | Shimano RT30 / Shimano RTEM300 |
| HEADSET | ACROS Trekking Headset |
| HANDLEBAR | MERIDA EXPERT TK II, material: aluminium, 640mm width, 35mm rise |
| HANDLEBAR STEM | MERIDA EXPERT TK II, material: aluminium, 31.8mm diameter, adjustable, 80 mm all sizes |
| GRIP | MERIDA EXPERT TK |
| DERAILLEUR (R) | Shimano Deore M5100, SGS |
| SHIFTERS | Shimano Deore M5100 |
| SEAT POST | MERIDA EXPERT TK, 30.9mm diameter, 15mm setback, 40mm seatpost suspension travel |
| SEAT CLAMP | MERIDA EXPERT |
| SADDLE | MERIDA EXPERT TK, V-mount, incl. MERIDA minitool |
| PEDAL | VP VPE-889 |
| CHAIN | KMC e11S EPT |

| | |
|---------------------|-----------------------------------------------------------------------------------------------|
| CHAINGUARD | Sunnywheel SW-CG-173A |
| CHAINWHEEL | Samox NWP203, 38 teeth, MERIDA EXPERT TK |
| FREEWHEEL | Shimano M5100, 11-51 teeth, 11 speed |
| RIM | MERIDA COMP TK, 20mm inner width, material: aluminium |
| HUBS | Shimano Deore |
| SPOKES | Black stainless |
| TIRES | Continental Contact Cruiser |
| LIGHTS | LEZYNE E-BIKE MINI STVZO E65 / Spanninga Commuter Glow XE integrated in MERIDA MIK HD carrier |
| CARRIER | MERIDA MIK HD Carrier with Spring clip & Spanninga rear light |
| FENDER | Sunnywheel SW-FA311-60E1 (MSB) |
| KICKSTAND | Atravelo 1219-PC-7 |
| FRAME LOCK | Abus 4650 XL |
| BATTERY LOCK | Abus Key |
| DRIVE UNIT | Shimano EP8, 85Nm |
| BATTERY | Shimano E8036, 630Wh |
| DISPLAY | Shimano SC-E6100 |



eSPRESSO CITY EP8-EDITION EQ

RED (MATT BLACK)

LITE II HFS-hydroforming Prolite 61 double butted aluminium frame featuring 'Energy Cradle' technology for maximum frame stiffness and stability. Based around fast-rolling 700c wheels and with commuting and leisure riding in mind. A higher front end and a compact geometry make for a more upright and extremely comfortable riding position. Comes equipped with mudguards, rear rack, side stand, lock and lights.

| URBAN | COMMUTING | TOUR | LEISURE |



| | |
|-----------------------|--------------------------------------------------------------------------------------------------------------------------------|
| FRAME | eSPRESSO CITY LITE II, material: aluminium, 700x50C (with fender) max. wheelsize, 135x9mm axle standard, internal, max. 630 Wh |
| FRAME SIZE | XS, S, M, L, XL |
| FORK | Suntour NCX LO, Air, 63mm suspension travel, Tapered, 700x50C max. wheelsize |
| BRAKES | Shimano Deore T6000 |
| ROTORS | Shimano RT30 / Shimano RTEM300 |
| HEADSET | ACROS Trekking Headset |
| HANDLEBAR | MERIDA EXPERT TK II, material: aluminium, 640mm width, 35mm rise |
| HANDLEBAR STEM | MERIDA EXPERT TK II, material: aluminium, 31.8mm diameter, adjustable, 80 mm all sizes |
| GRIP | MERIDA EXPERT TK |
| DERAILLEUR (R) | Shimano Deore M5100, SGS |
| SHIFTERS | Shimano Deore M5100 |
| SEAT POST | MERIDA EXPERT TK, 30.9mm diameter, 15mm setback, 40mm seatpost suspension travel |
| SEAT CLAMP | MERIDA EXPERT |
| SADDLE | MERIDA EXPERT TK, V-mount, incl. MERIDA minitool |
| PEDAL | VP VPE-889 |
| CHAIN | KMC e11S EPT |

| | |
|---------------------|-----------------------------------------------------------------------------------------------|
| CHAINGUARD | Sunnywheel SW-CG-173A |
| CHAINWHEEL | Samox NWP203, 38 teeth, MERIDA EXPERT TK |
| FREEWHEEL | Shimano M5100, 11-51 teeth, 11 speed |
| RIM | MERIDA COMP TK, 20mm inner width, material: aluminium |
| HUBS | Shimano Deore |
| SPOKES | Black stainless |
| TIRES | Continental Contact Cruiser |
| LIGHTS | LEZYNE E-BIKE MINI STVZO E65 / Spanninga Commuter Glow XE integrated in MERIDA MIK HD carrier |
| CARRIER | MERIDA MIK HD Carrier with Spring clip & Spanninga rear light |
| FENDER | Sunnywheel SW-FA311-60E1 (MSB) |
| KICKSTAND | Atravelo 1219-PC-7 |
| FRAME LOCK | Abus 4650 XL |
| BATTERY LOCK | Abus Key |
| DRIVE UNIT | Shimano EP8, 85Nm |
| BATTERY | Shimano E8036, 630Wh |
| DISPLAY | Shimano SC-E6100 |



eSPRESSO CITY 800 EQ

MATT ANTHRACITE (BLACK)

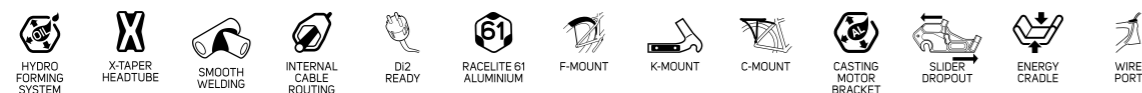
LITE II HFS-hydroforming Prolite 61 double butted aluminium frame featuring 'Energy Cradle' technology for maximum frame stiffness and stability. Based around fast-rolling 700c wheels and with commuting and leisure riding in mind. A higher front end and a compact geometry make for a more upright and extremely comfortable riding position. Comes equipped with mudguards, rear rack, side stand, lock and lights.

| URBAN | COMMUTING | TOUR | LEISURE |



| | |
|-----------------------|---------------------------------------------------------------------------------------------------------------------------------------|
| FRAME | eSPRESSO CITY LITE II HG, material: aluminium, 700x50C max. wheelsize, 135x9mm axle standard, internal, max. 630 Wh, hub-gear dropout |
| FRAME SIZE | XS, S, M, L, XL |
| FORK | Suntour NCX LO, Air, 63mm suspension travel, Tapered, 700x50C max. wheelsize |
| BRAKES | Shimano Deore T6000 |
| ROTORS | Shimano RT30 / Shimano RTEM300 |
| HEADSET | ACROS Trekking Headset |
| HANDLEBAR | MERIDA EXPERT TK II, material: aluminium, 640mm width, 35mm rise |
| HANDLEBAR STEM | MERIDA EXPERT TK II, material: aluminium, 31.8mm diameter, adjustable, 80 mm all sizes |
| GRIP | MERIDA EXPERT TK |
| SHIFTERS | Shimano SW-E6010-R |
| SEAT POST | MERIDA EXPERT TK, 30.9mm diameter, 15mm setback, 40mm seatpost suspension travel |
| SEAT CLAMP | MERIDA EXPERT |
| SADDLE | MERIDA EXPERT TK, V-mount, incl. MERIDA minitool |
| PEDAL | VP VPE-889 |
| CHAIN | KMC Z1eHX EPT |
| CHAINGUARD | Sunnywheel SW-CG-173A |

| | |
|---------------------|-----------------------------------------------------------------------------------------------|
| CHAINWHEEL | Samox P203, 38 teeth, MERIDA EXPERT TK |
| FREEWHEEL | Shimano CS-C7000, 27 teeth |
| RIM | MERIDA COMP TK, 20mm inner width, material: aluminium |
| HUBS | Shimano MT400 / Shimano Nexus Inter-5E |
| SPOKES | Black stainless |
| TIRES | Continental Contact Cruiser |
| LIGHTS | LEZYNE E-BIKE MINI STVZO E65 / Spanninga Commuter Glow XE integrated in MERIDA MIK HD carrier |
| CARRIER | MERIDA MIK HD Carrier with Spring clip & Spanninga rear light |
| FENDER | Sunnywheel SW-FA311-60E1 (MSB) |
| KICKSTAND | Atravelo 1219-PC-7 |
| FRAME LOCK | Abus 4650 XL |
| BATTERY LOCK | Abus Key |
| DRIVE UNIT | Shimano EP8, 85Nm |
| BATTERY | Shimano E8036, 630Wh |
| DISPLAY | Shimano SC-E6100 |



eSPRESSO CITY 800 EQ

DARK BLUE (BLACK)

LITE II HFS-hydroforming Prolite 61 double butted aluminium frame featuring 'Energy Cradle' technology for maximum frame stiffness and stability. Based around fast-rolling 700c wheels and with commuting and leisure riding in mind. A higher front end and a compact geometry make for a more upright and extremely comfortable riding position. Comes equipped with mudguards, rear rack, side stand, lock and lights.

| URBAN | COMMUTING | TOUR | LEISURE |



| | |
|-----------------------|---------------------------------------------------------------------------------------------------------------------------------------|
| FRAME | eSPRESSO CITY LITE II HG, material: aluminium, 700x50C max. wheelsize, 135x9mm axle standard, internal, max. 630 Wh, hub-gear dropout |
| FRAME SIZE | XS, S, M, L, XL |
| FORK | Suntour NCX LO, Air, 63mm suspension travel, Tapered, 700x50C max. wheelsize |
| BRAKES | Shimano Deore T6000 |
| ROTORS | Shimano RT30 / Shimano RTEM300 |
| HEADSET | ACROS Trekking Headset |
| HANDLEBAR | MERIDA EXPERT TK II, material: aluminium, 640mm width, 35mm rise |
| HANDLEBAR STEM | MERIDA EXPERT TK II, material: aluminium, 31.8mm diameter, adjustable, 80 mm all sizes |
| GRIP | MERIDA EXPERT TK |
| SHIFTERS | Shimano SW-E6010-R |
| SEAT POST | MERIDA EXPERT TK, 30.9mm diameter, 15mm setback, 40mm seatpost suspension travel |
| SEAT CLAMP | MERIDA EXPERT |
| SADDLE | MERIDA EXPERT TK, V-mount, incl. MERIDA minitool |
| PEDAL | VP VPE-889 |
| CHAIN | KMC Z1eHX EPT |
| CHAINGUARD | Sunnywheel SW-CG-173A |

| | |
|---------------------|-----------------------------------------------------------------------------------------------|
| CHAINWHEEL | Samox P203, 38 teeth, MERIDA EXPERT TK |
| FREEWHEEL | Shimano CS-C7000, 27 teeth |
| RIM | MERIDA COMP TK, 20mm inner width, material: aluminium |
| HUBS | Shimano MT400 / Shimano Nexus Inter-5E |
| SPOKES | Black stainless |
| TIRES | Continental Contact Cruiser |
| LIGHTS | LEZYNE E-BIKE MINI STVZO E65 / Spanninga Commuter Glow XE integrated in MERIDA MIK HD carrier |
| CARRIER | MERIDA MIK HD Carrier with Spring clip & Spanninga rear light |
| FENDER | Sunnywheel SW-FA311-60E1 (MSB) |
| KICKSTAND | Atravelo 1219-PC-7 |
| FRAME LOCK | Abus 4650 XL |
| BATTERY LOCK | Abus Key |
| DRIVE UNIT | Shimano EP8, 85Nm |
| BATTERY | Shimano E8036, 630Wh |
| DISPLAY | Shimano SC-E6100 |



eSPRESSO CITY 700 EQ

MATT ANTHRACITE (BLACK)

LITE II HFS-hydroforming Prolite 61 double butted aluminium frame featuring 'Energy Cradle' technology for maximum frame stiffness and stability. Based around fast-rolling 700c wheels and with commuting and leisure riding in mind. A higher front end and a compact geometry make for a more upright and extremely comfortable riding position. Comes equipped with mudguards, rear rack, side stand, lock and lights.

URBAN | COMMUTING | TOUR | LEISURE



| | |
|-----------------------|---------------------------------------------------------------------------------------------------------------------------------------|
| FRAME | eSPRESSO CITY LITE II HG, material: aluminium, 700x50C max. wheelsize, 135x9mm axle standard, internal, max. 630 Wh, hub-gear dropout |
| FRAME SIZE | XS, S, M, L, XL |
| FORK | Suntour NEX E25, Coil, 63mm suspension travel, 700x52C max wheelsize |
| BRAKES | Shimano MT402-3A |
| ROTORS | Shimano RT30 / Shimano RTE300 |
| HEADSET | MERIDA CAP w/ wire gateway |
| HANDLEBAR | MERIDA EXPERT TK, material: aluminium, 640mm width, 35mm rise |
| HANDLEBAR STEM | MERIDA EXPERT TK, material: aluminium, 31.8mm diameter, adjustable, 65 mm-XS/S/M, 90 mm-L/XL |
| GRIP | MERIDA EXPERT TK |
| SHIFTERS | Shimano SW-E6010-R |
| SEAT POST | MERIDA EXPERT TK, 30.9mm diameter, 15mm setback, 40mm seatpost suspension travel |
| SEAT CLAMP | MERIDA EXPERT |
| SADDLE | MERIDA EXPERT TK, V-mount |
| PEDAL | VP VPE-891 |
| CHAIN | KMC Z1eHX EPT |
| CHAINGUARD | Sunnywheel SW-CG-173A |

| | |
|---------------------|-----------------------------------------------------------------------------------------|
| CHAINWHEEL | Shimano CRE61, 38 teeth, Shimano FC-E6100 |
| FREEWHEEL | Shimano CS-C7000, 27 teeth |
| RIM | MERIDA COMP TK, 20mm inner width, material: aluminium |
| HUBS | Shimano M4050 / Shimano Nexus Inter-5E |
| SPOKES | Black stainless |
| TIRES | Continental Contact Cruiser |
| LIGHTS | Herrmans H-Black MR4 E / Spanninga Commuter Glow XE integrated in MERIDA MIK HD carrier |
| CARRIER | MERIDA MIK HD Carrier with Spring clip & Spanninga rear light |
| FENDER | Sunnywheel SW-FA311-60E1 (MSB) |
| KICKSTAND | Atravelo 1219-PC-7 |
| FRAME LOCK | Abus 4650 XL |
| BATTERY LOCK | Abus Key |
| DRIVE UNIT | Shimano E6100, 60Nm |
| BATTERY | Shimano E8036, 630Wh |
| DISPLAY | Shimano SC-E6100 |



eSPRESSO CITY 700 EQ

SILK TEAL-BLUE (LIME)

LITE II HFS-hydroforming Prolite 61 double butted aluminium frame featuring 'Energy Cradle' technology for maximum frame stiffness and stability. Based around fast-rolling 700c wheels and with commuting and leisure riding in mind. A higher front end and a compact geometry make for a more upright and extremely comfortable riding position. Comes equipped with mudguards, rear rack, side stand, lock and lights.

URBAN | COMMUTING | TOUR | LEISURE



| | |
|-----------------------|---------------------------------------------------------------------------------------------------------------------------------------|
| FRAME | eSPRESSO CITY LITE II HG, material: aluminium, 700x50C max. wheelsize, 135x9mm axle standard, internal, max. 630 Wh, hub-gear dropout |
| FRAME SIZE | XS, S, M, L, XL |
| FORK | Suntour NEX E25, Coil, 63mm suspension travel, 700x52C max wheelsize |
| BRAKES | Shimano MT402-3A |
| ROTORS | Shimano RT30 / Shimano RTE300 |
| HEADSET | MERIDA CAP w/ wire gateway |
| HANDLEBAR | MERIDA EXPERT TK, material: aluminium, 640mm width, 35mm rise |
| HANDLEBAR STEM | MERIDA EXPERT TK, material: aluminium, 31.8mm diameter, adjustable, 65 mm-XS/S/M, 90 mm-L/XL |
| GRIP | MERIDA EXPERT TK |
| SHIFTERS | Shimano SW-E6010-R |
| SEAT POST | MERIDA EXPERT TK, 30.9mm diameter, 15mm setback, 40mm seatpost suspension travel |
| SEAT CLAMP | MERIDA EXPERT |
| SADDLE | MERIDA EXPERT TK, V-mount |
| PEDAL | VP VPE-891 |
| CHAIN | KMC Z1eHX EPT |
| CHAINGUARD | Sunnywheel SW-CG-173A |

| | |
|---------------------|-----------------------------------------------------------------------------------------|
| CHAINWHEEL | Shimano CRE61, 38 teeth, Shimano FC-E6100 |
| FREEWHEEL | Shimano CS-C7000, 27 teeth |
| RIM | MERIDA COMP TK, 20mm inner width, material: aluminium |
| HUBS | Shimano M4050 / Shimano Nexus Inter-5E |
| SPOKES | Black stainless |
| TIRES | Continental Contact Cruiser |
| LIGHTS | Herrmans H-Black MR4 E / Spanninga Commuter Glow XE integrated in MERIDA MIK HD carrier |
| CARRIER | MERIDA MIK HD Carrier with Spring clip & Spanninga rear light |
| FENDER | Sunnywheel SW-FA311-60E1 (MSB) |
| KICKSTAND | Atravelo 1219-PC-7 |
| FRAME LOCK | Abus 4650 XL |
| BATTERY LOCK | Abus Key |
| DRIVE UNIT | Shimano E6100, 60Nm |
| BATTERY | Shimano E8036, 630Wh |
| DISPLAY | Shimano SC-E6100 |



eSPRESSO CITY 700 EQ

BRONZE (BLACK)

LITE II HFS-hydroforming Prolite 61 double butted aluminium frame featuring 'Energy Cradle' technology for maximum frame stiffness and stability. Based around fast-rolling 700c wheels and with commuting and leisure riding in mind. A higher front end and a compact geometry make for a more upright and extremely comfortable riding position. Comes equipped with mudguards, rear rack, side stand, lock and lights.

| URBAN | COMMUTING | TOUR | LEISURE |



| | |
|-----------------------|---------------------------------------------------------------------------------------------------------------------------------------|
| FRAME | eSPRESSO CITY LITE II HG, material: aluminium, 700x50C max. wheelsize, 135x9mm axle standard, internal, max. 630 Wh, hub-gear dropout |
| FRAME SIZE | XS, S, M, L, XL |
| FORK | Suntour NEX E25, Coil, 63mm suspension travel, 700x52C max wheelsize |
| BRAKES | Shimano MT402-3A |
| ROTORS | Shimano RT30 / Shimano RTE300 |
| HEADSET | MERIDA CAP w/ wire gateway |
| HANDLEBAR | MERIDA EXPERT TK, material: aluminium, 640mm width, 35mm rise |
| HANDLEBAR STEM | MERIDA EXPERT TK, material: aluminium, 31.8mm diameter, adjustable, 65 mm-XS/S/M, 90 mm-L/XL |
| GRIP | MERIDA EXPERT TK |
| SHIFTERS | Shimano SW-E6010-R |
| SEAT POST | MERIDA EXPERT TK, 30.9mm diameter, 15mm setback, 40mm seatpost suspension travel |
| SEAT CLAMP | MERIDA EXPERT |
| SADDLE | MERIDA EXPERT TK, V-mount |
| PEDAL | VP VPE-891 |
| CHAIN | KMC Z1eHX EPT |
| CHAINGUARD | Sunnywheel SW-CG-173A |

| | |
|---------------------|-----------------------------------------------------------------------------------------|
| CHAINWHEEL | Shimano CRE61, 38 teeth, Shimano FC-E6100 |
| FREEWHEEL | Shimano CS-C7000, 27 teeth |
| RIM | MERIDA COMP TK, 20mm inner width, material: aluminium |
| HUBS | Shimano M4050 / Shimano Nexus Inter-5E |
| SPOKES | Black stainless |
| TIRES | Continental Contact Cruiser |
| LIGHTS | Herrmans H-Black MR4 E / Spanninga Commuter Glow XE integrated in MERIDA MIK HD carrier |
| CARRIER | MERIDA MIK HD Carrier with Spring clip & Spanninga rear light |
| FENDER | Sunnywheel SW-FA311-60E1 (MSB) |
| KICKSTAND | Atravelo 1219-PC-7 |
| FRAME LOCK | Abus 4650 XL |
| BATTERY LOCK | Abus Key |
| DRIVE UNIT | Shimano E6100, 60Nm |
| BATTERY | Shimano E8036, 630Wh |
| DISPLAY | Shimano SC-E6100 |



eSPRESSO CITY 600 EQ

MATT ANTHRACITE (BLACK)

LITE II HFS-hydroforming Prolite 61 double butted aluminium frame featuring 'Energy Cradle' technology for maximum frame stiffness and stability. Based around fast-rolling 700c wheels and with commuting and leisure riding in mind. A higher front end and a compact geometry make for a more upright and extremely comfortable riding position. Comes equipped with mudguards, rear rack, side stand, lock and lights.

| URBAN | COMMUTING | TOUR | LEISURE |



| | |
|-----------------------|--------------------------------------------------------------------------------------------------------------------------------|
| FRAME | eSPRESSO CITY LITE II, material: aluminium, 700x50C (with fender) max. wheelsize, 135x9mm axle standard, internal, max. 630 Wh |
| FRAME SIZE | XS, S, M, L, XL |
| FORK | Suntour NEX E25, Coil, 63mm suspension travel, 700x52C max wheelsize |
| BRAKES | Shimano MT402-3A |
| ROTORS | Shimano RT30 / Shimano RTE300 |
| HEADSET | MERIDA CAP w/ wire gateway |
| HANDLEBAR | MERIDA EXPERT TK, material: aluminium, 640mm width, 35mm rise |
| HANDLEBAR STEM | MERIDA EXPERT TK, material: aluminium, 31.8mm diameter, adjustable, 65 mm-XS/S/M, 90 mm-L/XL |
| GRIP | MERIDA EXPERT TK |
| DERAILLEUR (R) | Shimano Deore M5100, SGS |
| SHIFTERS | Shimano Deore M5100 |
| SEAT POST | MERIDA EXPERT TK, 30.9mm diameter, 15mm setback, 40mm seatpost suspension travel |
| SEAT CLAMP | MERIDA EXPERT |
| SADDLE | MERIDA EXPERT TK, V-mount |
| PEDAL | VP VPE-891 |
| CHAIN | KMC e11S EPT |

| | |
|---------------------|-----------------------------------------------------------------------------------------|
| CHAINGUARD | Sunnywheel SW-CG-173A |
| CHAINWHEEL | Shimano CRE61, 38 teeth, Shimano FC-E6100 |
| FREEWHEEL | Shimano M5100, 11-51 teeth, 11 speed |
| RIM | MERIDA COMP TK, 20mm inner width, material: aluminium |
| HUBS | Shimano Deore |
| SPOKES | Black stainless |
| TIRES | Continental Contact Cruiser |
| LIGHTS | Herrmans H-Black MR4 E / Spanninga Commuter Glow XE integrated in MERIDA MIK HD carrier |
| CARRIER | MERIDA MIK HD Carrier with Spring clip & Spanninga rear light |
| FENDER | Sunnywheel SW-FA311-60E1 (MSB) |
| KICKSTAND | Atravelo 1219-PC-7 |
| FRAME LOCK | Abus 4650 XL |
| BATTERY LOCK | Abus Key |
| DRIVE UNIT | Shimano E6100, 60Nm |
| BATTERY | Shimano E8036, 630Wh |
| DISPLAY | Shimano SC-E6100 |



eSPRESSO CITY 600 EQ

MATT GREEN (BLACK)

LITE II HFS-hydroforming Prolite 61 double butted aluminium frame featuring 'Energy Cradle' technology for maximum frame stiffness and stability. Based around fast-rolling 700c wheels and with commuting and leisure riding in mind. A higher front end and a compact geometry make for a more upright and extremely comfortable riding position. Comes equipped with mudguards, rear rack, side stand, lock and lights.

| URBAN | COMMUTING | TOUR | LEISURE |



| | |
|-----------------------|--------------------------------------------------------------------------------------------------------------------------------|
| FRAME | eSPRESSO CITY LITE II, material: aluminium, 700x50C (with fender) max. wheelsize, 135x9mm axle standard, internal, max. 630 Wh |
| FRAME SIZE | XS, S, M, L, XL |
| FORK | Suntour NEX E25, Coil, 63mm suspension travel, 700x52C max wheelsize |
| BRAKES | Shimano MT402-3A |
| ROTORS | Shimano RT30 / Shimano RTE300 |
| HEADSET | MERIDA CAP w/ wire gateway |
| HANDLEBAR | MERIDA EXPERT TK, material: aluminium, 640mm width, 35mm rise |
| HANDLEBAR STEM | MERIDA EXPERT TK, material: aluminium, 31.8mm diameter, adjustable, 65 mm-XS/S/M, 90 mm-L/XL |
| GRIP | MERIDA EXPERT TK |
| DERAILLEUR (R) | Shimano Deore M5100, SGS |
| SHIFTERS | Shimano Deore M5100 |
| SEAT POST | MERIDA EXPERT TK, 30.9mm diameter, 15mm setback, 40mm seatpost suspension travel |
| SEAT CLAMP | MERIDA EXPERT |
| SADDLE | MERIDA EXPERT TK, V-mount |
| PEDAL | VP VPE-891 |
| CHAIN | KMC e11S EPT |

| | |
|---------------------|-----------------------------------------------------------------------------------------|
| CHAINGUARD | Sunnywheel SW-CG-173A |
| CHAINWHEEL | Shimano CRE61, 38 teeth, Shimano FC-E6100 |
| FREEWHEEL | Shimano M5100, 11-51 teeth, 11 speed |
| RIM | MERIDA COMP TK, 20mm inner width, material: aluminium |
| HUBS | Shimano Deore |
| SPOKES | Black stainless |
| TIRES | Continental Contact Cruiser |
| LIGHTS | Herrmans H-Black MR4 E / Spanninga Commuter Glow XE integrated in MERIDA MIK HD carrier |
| CARRIER | MERIDA MIK HD Carrier with Spring clip & Spanninga rear light |
| FENDER | Sunnywheel SW-FA311-60E1 (MSB) |
| KICKSTAND | Atravelo 1219-PC-7 |
| FRAME LOCK | Abus 4650 XL |
| BATTERY LOCK | Abus Key |
| DRIVE UNIT | Shimano E6100, 60Nm |
| BATTERY | Shimano E8036, 630Wh |
| DISPLAY | Shimano SC-E6100 |



eSPRESSO CITY 500 EQ

MATT ANTHRACITE (BLACK)

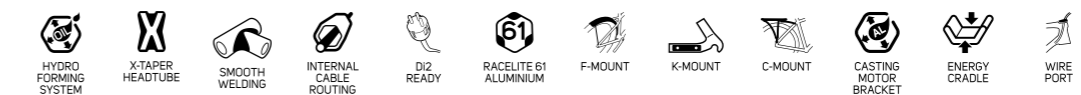
LITE II HFS-hydroforming Prolite 61 double butted aluminium frame featuring 'Energy Cradle' technology for maximum frame stiffness and stability. Based around fast-rolling 700c wheels and with commuting and leisure riding in mind. A higher front end and a compact geometry make for a more upright and extremely comfortable riding position. Comes equipped with mudguards, rear rack, side stand, lock and lights.

| URBAN | COMMUTING | TOUR | LEISURE |



| | |
|-----------------------|--------------------------------------------------------------------------------------------------------------------------------|
| FRAME | eSPRESSO CITY LITE II, material: aluminium, 700x50C (with fender) max. wheelsize, 135x9mm axle standard, internal, max. 630 Wh |
| FRAME SIZE | XS, S, M, L, XL |
| FORK | Suntour NEX E25, Coil, 63mm suspension travel, 700x52C max wheelsize |
| BRAKES | Shimano MT-200 |
| ROTORS | Shimano RT10 / Shimano RTE300 |
| HEADSET | MERIDA CAP w/ wire gateway |
| HANDLEBAR | MERIDA EXPERT TK, material: aluminium, 640mm width, 35mm rise |
| HANDLEBAR STEM | MERIDA EXPERT TK, material: aluminium, 31.8mm diameter, adjustable, 65 mm-XS/S/M, 90 mm-L/XL |
| GRIP | MERIDA EXPERT TK |
| DERAILLEUR (R) | Shimano Deore M5120, SGS |
| SHIFTERS | Shimano Deore M4100 |
| SEAT POST | MERIDA EXPERT TK, 30.9mm diameter, 15mm setback, 40mm seatpost suspension travel |
| SEAT CLAMP | MERIDA EXPERT |
| SADDLE | MERIDA EXPERT TK, V-mount |
| PEDAL | VP VPE-891 |
| CHAIN | KMC e10S EPT |

| | |
|---------------------|-----------------------------------------------------------------------------------------|
| CHAINGUARD | Sunnywheel SW-CG-173A |
| CHAINWHEEL | Shimano CRE61, 38 teeth, Shimano FC-E6100 |
| FREEWHEEL | Shimano M4100, 11-46 teeth, 10 speed |
| RIM | MERIDA COMP TK, 20mm inner width, material: aluminium |
| HUBS | Shimano TX505 |
| SPOKES | Black stainless |
| TIRES | Continental Ride Cruiser |
| LIGHTS | Herrmans H-Black MR4 E / Spanninga Commuter Glow XE integrated in MERIDA MIK HD carrier |
| CARRIER | MERIDA MIK HD Carrier with Spring clip & Spanninga rear light |
| FENDER | Sunnywheel SW-FA311-60E1 (MSB) |
| KICKSTAND | Atravelo 1219-PC-7 |
| FRAME LOCK | Abus 4650 XL |
| BATTERY LOCK | Abus Key |
| DRIVE UNIT | Shimano E6100, 60Nm |
| BATTERY | Shimano E8036, 630Wh |
| DISPLAY | Shimano SC-E6100 |



eSPRESSO CITY 500 EQ

SILK LIGHT LIME (BLACK)

LITE II HFS-hydroforming Prolite 61 double butted aluminium frame featuring 'Energy Cradle' technology for maximum frame stiffness and stability. Based around fast-rolling 700c wheels and with commuting and leisure riding in mind. A higher front end and a compact geometry make for a more upright and extremely comfortable riding position. Comes equipped with mudguards, rear rack, side stand, lock and lights.

| URBAN | COMMUTING | TOUR | LEISURE |



| | |
|-----------------------|--------------------------------------------------------------------------------------------------------------------------------|
| FRAME | eSPRESSO CITY LITE II, material: aluminium, 700x50C (with fender) max. wheelsize, 135x9mm axle standard, internal, max. 630 Wh |
| FRAME SIZE | XS, S, M, L, XL |
| FORK | Suntour NEX E25, Coil, 63mm suspension travel, 700x52C max wheelsize |
| BRAKES | Shimano MT-200 |
| ROTORS | Shimano RT10 / Shimano RTEM300 |
| HEADSET | MERIDA CAP w/ wire gateway |
| HANDLEBAR | MERIDA EXPERT TK, material: aluminium, 640mm width, 35mm rise |
| HANDLEBAR STEM | MERIDA EXPERT TK, material: aluminium, 31.8mm diameter, adjustable, 65 mm-XS/S/M, 90 mm-L/XL |
| GRIP | MERIDA EXPERT TK |
| DERAILLEUR (R) | Shimano Deore M5120, SGS |
| SHIFTERS | Shimano Deore M4100 |
| SEAT POST | MERIDA EXPERT TK, 30.9mm diameter, 15mm setback, 40mm seatpost suspension travel |
| SEAT CLAMP | MERIDA EXPERT |
| SADDLE | MERIDA EXPERT TK, V-mount |
| PEDAL | VP VPE-891 |
| CHAIN | KMC e10S EPT |

| | |
|---------------------|-----------------------------------------------------------------------------------------|
| CHAINGUARD | Sunnywheel SW-CG-173A |
| CHAINWHEEL | Shimano CRE61, 38 teeth, Shimano FC-E6100 |
| FREEWHEEL | Shimano M4100, 11-46 teeth, 10 speed |
| RIM | MERIDA COMP TK, 20mm inner width, material: aluminium |
| HUBS | Shimano TX505 |
| SPOKES | Black stainless |
| TIRES | Continental Ride Cruiser |
| LIGHTS | Herrmans H-Black MR4 E / Spanninga Commuter Glow XE integrated in MERIDA MIK HD carrier |
| CARRIER | MERIDA MIK HD Carrier with Spring clip & Spanninga rear light |
| FENDER | Sunnywheel SW-FA311-60E1 (MSB) |
| KICKSTAND | Atravelo 1219-PC-7 |
| FRAME LOCK | Abus 4650 XL |
| BATTERY LOCK | Abus Key |
| DRIVE UNIT | Shimano E6100, 60Nm |
| BATTERY | Shimano E8036, 630Wh |
| DISPLAY | Shimano SC-E6100 |



eSPRESSO CITY 400 EQ

MATT ANTHRACITE (BLACK)

LITE II HFS-hydroforming Prolite 61 double butted aluminium frame featuring 'Energy Cradle' technology for maximum frame stiffness and stability. Based around fast-rolling 700c wheels and with commuting and leisure riding in mind. A higher front end and a compact geometry make for a more upright and extremely comfortable riding position. Comes equipped with mudguards, rear rack, side stand, lock and lights.

| URBAN | COMMUTING | TOUR | LEISURE |



| | |
|-----------------------|--------------------------------------------------------------------------------------------------------------------------------|
| FRAME | eSPRESSO CITY LITE II, material: aluminium, 700x50C (with fender) max. wheelsize, 135x9mm axle standard, internal, max. 630 Wh |
| FRAME SIZE | XS, S, M, L, XL |
| FORK | Suntour NEX E25, Coil, 63mm suspension travel, 700x52C max wheelsize |
| BRAKES | Shimano MT-200 |
| ROTORS | Shimano RT10 / Shimano RTEM300 |
| HEADSET | MERIDA CAP w/ wire gateway |
| HANDLEBAR | MERIDA EXPERT TK, material: aluminium, 640mm width, 35mm rise |
| HANDLEBAR STEM | MERIDA EXPERT TK, material: aluminium, 31.8mm diameter, adjustable, 65 mm-XS/S/M, 90 mm-L/XL |
| GRIP | MERIDA EXPERT TK |
| DERAILLEUR (R) | Shimano Deore M592, SGS |
| SHIFTERS | Shimano Alivio M3100 |
| SEAT POST | MERIDA EXPERT TK, 30.9mm diameter, 15mm setback, 40mm seatpost suspension travel |
| SEAT CLAMP | MERIDA EXPERT |
| SADDLE | MERIDA EXPERT TK, V-mount |
| PEDAL | VP VPE-891 |
| CHAIN | KMC e9S |

| | |
|---------------------|-----------------------------------------------------------------------------------------|
| CHAINGUARD | Sunnywheel SW-CG-173A |
| CHAINWHEEL | Shimano CRE61, 38 teeth, Shimano FC-E6100 |
| FREEWHEEL | Shimano HG200, 11-36 teeth, 9 speed |
| RIM | MERIDA COMP TK, 20mm inner width, material: aluminium |
| HUBS | Shimano TX505 |
| SPOKES | Black stainless |
| TIRES | Continental Ride Cruiser |
| LIGHTS | Herrmans H-Black MR4 E / Spanninga Commuter Glow XE integrated in MERIDA MIK HD carrier |
| CARRIER | MERIDA MIK HD Carrier with Spring clip & Spanninga rear light |
| FENDER | Sunnywheel SW-FA311-60E1 (MSB) |
| KICKSTAND | Atravelo 1219-PC-7 |
| FRAME LOCK | Abus 4650 XL |
| BATTERY LOCK | Abus Key |
| DRIVE UNIT | Shimano E6100, 60Nm |
| BATTERY | Shimano E8035-L, 504Wh |
| DISPLAY | Shimano SC-E5000 |



eSPRESSO CITY 400 EQ

SILK BLUE (BLACK)

LITE II HFS-hydroforming Prolite 61 double butted aluminium frame featuring 'Energy Cradle' technology for maximum frame stiffness and stability. Based around fast-rolling 700c wheels and with commuting and leisure riding in mind. A higher front end and a compact geometry make for a more upright and extremely comfortable riding position. Comes equipped with mudguards, rear rack, side stand, lock and lights.

| URBAN | COMMUTING | TOUR | LEISURE |



| | |
|-----------------------|--------------------------------------------------------------------------------------------------------------------------------|
| FRAME | eSPRESSO CITY LITE II, material: aluminium, 700x50C (with fender) max. wheelsize, 135x9mm axle standard, internal, max. 630 Wh |
| FRAME SIZE | XS, S, M, L, XL |
| FORK | Suntour NEX E25, Coil, 63mm suspension travel, 700x52C max wheelsize |
| BRAKES | Shimano MT-200 |
| ROTORS | Shimano RT10 / Shimano RTE300 |
| HEADSET | MERIDA CAP w/ wire gateway |
| HANDLEBAR | MERIDA EXPERT TK, material: aluminium, 640mm width, 35mm rise |
| HANDLEBAR STEM | MERIDA EXPERT TK, material: aluminium, 31.8mm diameter, adjustable, 65 mm-XS/S/M, 90 mm-L/XL |
| GRIP | MERIDA EXPERT TK |
| DERAILLEUR (R) | Shimano Deore M592, SGS |
| SHIFTERS | Shimano Alivio M3100 |
| SEAT POST | MERIDA EXPERT TK, 30.9mm diameter, 15mm setback, 40mm seatpost suspension travel |
| SEAT CLAMP | MERIDA EXPERT |
| SADDLE | MERIDA EXPERT TK, V-mount |
| PEDAL | VP VPE-891 |
| CHAIN | KMC e9S |

| | |
|---------------------|-----------------------------------------------------------------------------------------|
| CHAINGUARD | Sunnywheel SW-CG-173A |
| CHAINWHEEL | Shimano CRE61, 38 teeth, Shimano FC-E6100 |
| FREEWHEEL | Shimano HG200, 11-36 teeth, 9 speed |
| RIM | MERIDA COMP TK, 20mm inner width, material: aluminium |
| HUBS | Shimano TX505 |
| SPOKES | Black stainless |
| TIRES | Continental Ride Cruiser |
| LIGHTS | Herrmans H-Black MR4 E / Spanninga Commuter Glow XE integrated in MERIDA MIK HD carrier |
| CARRIER | MERIDA MIK HD Carrier with Spring clip & Spanninga rear light |
| FENDER | Sunnywheel SW-FA311-60E1 (MSB) |
| KICKSTAND | Atravelo 1219-PC-7 |
| FRAME LOCK | Abus 4650 XL |
| BATTERY LOCK | Abus Key |
| DRIVE UNIT | Shimano E6100, 60Nm |
| BATTERY | Shimano E8035-L, 504Wh |
| DISPLAY | Shimano SC-E5000 |



eSPRESSO CITY 400 EQ

WHITE (BLACK)

LITE II HFS-hydroforming Prolite 61 double butted aluminium frame featuring 'Energy Cradle' technology for maximum frame stiffness and stability. Based around fast-rolling 700c wheels and with commuting and leisure riding in mind. A higher front end and a compact geometry make for a more upright and extremely comfortable riding position. Comes equipped with mudguards, rear rack, side stand, lock and lights.

| URBAN | COMMUTING | TOUR | LEISURE |



| | |
|-----------------------|--------------------------------------------------------------------------------------------------------------------------------|
| FRAME | eSPRESSO CITY LITE II, material: aluminium, 700x50C (with fender) max. wheelsize, 135x9mm axle standard, internal, max. 630 Wh |
| FRAME SIZE | XS, S, M, L, XL |
| FORK | Suntour NEX E25, Coil, 63mm suspension travel, 700x52C max wheelsize |
| BRAKES | Shimano MT-200 |
| ROTORS | Shimano RT10 / Shimano RTE300 |
| HEADSET | MERIDA CAP w/ wire gateway |
| HANDLEBAR | MERIDA EXPERT TK, material: aluminium, 640mm width, 35mm rise |
| HANDLEBAR STEM | MERIDA EXPERT TK, material: aluminium, 31.8mm diameter, adjustable, 65 mm-XS/S/M, 90 mm-L/XL |
| GRIP | MERIDA EXPERT TK |
| DERAILLEUR (R) | Shimano Deore M592, SGS |
| SHIFTERS | Shimano Alivio M3100 |
| SEAT POST | MERIDA EXPERT TK, 30.9mm diameter, 15mm setback, 40mm seatpost suspension travel |
| SEAT CLAMP | MERIDA EXPERT |
| SADDLE | MERIDA EXPERT TK, V-mount |
| PEDAL | VP VPE-891 |
| CHAIN | KMC e9S |

| | |
|---------------------|-----------------------------------------------------------------------------------------|
| CHAINGUARD | Sunnywheel SW-CG-173A |
| CHAINWHEEL | Shimano CRE61, 38 teeth, Shimano FC-E6100 |
| FREEWHEEL | Shimano HG200, 11-36 teeth, 9 speed |
| RIM | MERIDA COMP TK, 20mm inner width, material: aluminium |
| HUBS | Shimano TX505 |
| SPOKES | Black stainless |
| TIRES | Continental Ride Cruiser |
| LIGHTS | Herrmans H-Black MR4 E / Spanninga Commuter Glow XE integrated in MERIDA MIK HD carrier |
| CARRIER | MERIDA MIK HD Carrier with Spring clip & Spanninga rear light |
| FENDER | Sunnywheel SW-FA311-60E1 (MSB) |
| KICKSTAND | Atravelo 1219-PC-7 |
| FRAME LOCK | Abus 4650 XL |
| BATTERY LOCK | Abus Key |
| DRIVE UNIT | Shimano E6100, 60Nm |
| BATTERY | Shimano E8035-L, 504Wh |
| DISPLAY | Shimano SC-E5000 |



eSPRESSO CITY 300 SE EQ

MATT ANTHRACITE/BLACK

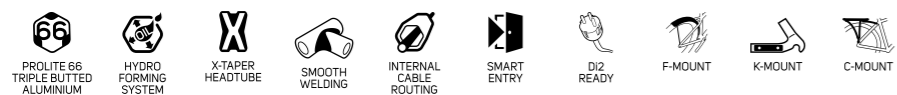
LITE HFS-hydroforming ProLite 66 triple butted aluminium frame based around fast-rolling 700c wheels and with commuting and leisure riding in mind. A higher front end and a compact geometry make for a more upright and extremely comfortable riding position. Battery semi-integrated into the seat tube and positioned extra low for improved handling. Comes equipped with mudguards, rear rack, side stand, lock and lights.

URBAN | COMMUTING | TOUR | LEISURE



| | |
|-----------------------|--------------------------------------------------------------------------------------------------------------------------|
| FRAME | eSPRESSO CITY LITE, material: aluminium, 700x 42C (with fender) wheelsize, 142x12mm axle standard, external, max. 504 Wh |
| FRAME SIZE | XS, S, M, L, XL |
| FORK | Suntour NEX-PM-DS, Coil, 63mm suspension travel, 700x48C max wheelsize |
| BRAKES | Shimano MT-200 |
| ROTORS | Shimano RT10 |
| HEADSET | MERIDA 2346 Neck |
| HANDLEBAR | MERIDA EXPERT TK, material: aluminium, 640mm width, 35mm rise |
| HANDLEBAR STEM | MERIDA EXPERT TK, material: aluminium, 31.8mm diameter, adjustable, 90 mm-XS/S/M, 110 mm-L/XL |
| GRIP | MERIDA EXPERT TK |
| DERAILLEUR (R) | Shimano Altus M2000, SGS |
| SHIFTERS | Shimano Altus rapidfire |
| SEAT POST | MERIDA EXPERT TK, 30.9mm diameter, 15mm setback, 40mm seatpost suspension travel |
| SEAT CLAMP | MERIDA EXPERT |
| SADDLE | MERIDA EXPERT TK, V-mount |
| PEDAL | VP VPE-891 |
| CHAIN | KMC e9S |

| | |
|---------------------|----------------------------------------------------------------------------|
| CHAINGUARD | Sunnywheel SW-CG-173A |
| CHAINWHEEL | Shimano CRE50, 38 teeth, Shimano FC-E5010 |
| FREEWHEEL | Shimano HG400, 11-36 teeth, 9 speed |
| RIM | MERIDA COMP TK, 20mm inner width, material: aluminium |
| HUBS | Shimano TX505 / Shimano MT400 |
| AXLES | MERIDA COMP TR |
| SPOKES | Black stainless |
| TIRES | Continental Contact Plus |
| LIGHTS | Herrmans H-Black MR4 E / Herrmans H-Cargo integrated in MERIDA MIK carrier |
| CARRIER | MERIDA MIK Carrier with Spring clip & Herrmans rear light |
| FENDER | Sunnywheel SW-FA311-60E1 (MSB) |
| KICKSTAND | Massload CL-KA98 |
| FRAME LOCK | Abus 5650 LH-3 lock |
| BATTERY LOCK | Abus Key |
| DRIVE UNIT | Shimano E5000, 40Nm |
| BATTERY | Shimano E8010, 504Wh |



eSPRESSO CITY 300 SE EQ

SILK GREEN (GREY)

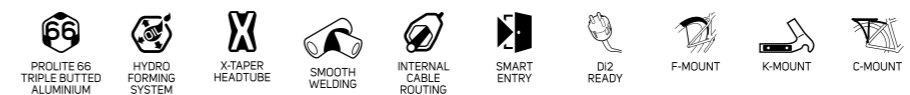
LITE HFS-hydroforming ProLite 66 triple butted aluminium frame based around fast-rolling 700c wheels and with commuting and leisure riding in mind. A higher front end and a compact geometry make for a more upright and extremely comfortable riding position. Battery semi-integrated into the seat tube and positioned extra low for improved handling. Comes equipped with mudguards, rear rack, side stand, lock and lights.

URBAN | COMMUTING | TOUR | LEISURE



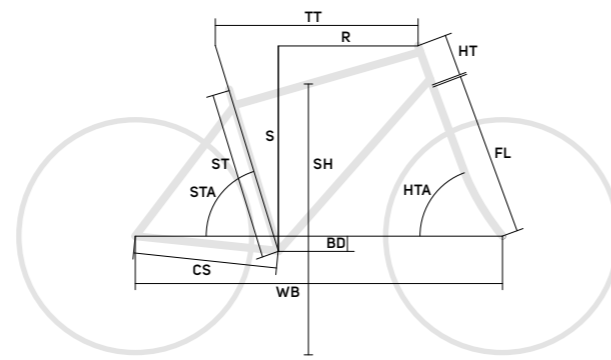
| | |
|-----------------------|--------------------------------------------------------------------------------------------------------------------------|
| FRAME | eSPRESSO CITY LITE, material: aluminium, 700x 42C (with fender) wheelsize, 142x12mm axle standard, external, max. 504 Wh |
| FRAME SIZE | XS, S, M, L, XL |
| FORK | Suntour NEX-PM-DS, Coil, 63mm suspension travel, 700x48C max wheelsize |
| BRAKES | Shimano MT-200 |
| ROTORS | Shimano RT10 |
| HEADSET | MERIDA 2346 Neck |
| HANDLEBAR | MERIDA EXPERT TK, material: aluminium, 640mm width, 35mm rise |
| HANDLEBAR STEM | MERIDA EXPERT TK, material: aluminium, 31.8mm diameter, adjustable, 90 mm-XS/S/M, 110 mm-L/XL |
| GRIP | MERIDA EXPERT TK |
| DERAILLEUR (R) | Shimano Altus M2000, SGS |
| SHIFTERS | Shimano Altus rapidfire |
| SEAT POST | MERIDA EXPERT TK, 30.9mm diameter, 15mm setback, 40mm seatpost suspension travel |
| SEAT CLAMP | MERIDA EXPERT |
| SADDLE | MERIDA EXPERT TK, V-mount |
| PEDAL | VP VPE-891 |
| CHAIN | KMC e9S |

| | |
|---------------------|----------------------------------------------------------------------------|
| CHAINGUARD | Sunnywheel SW-CG-173A |
| CHAINWHEEL | Shimano CRE50, 38 teeth, Shimano FC-E5010 |
| FREEWHEEL | Shimano HG400, 11-36 teeth, 9 speed |
| RIM | MERIDA COMP TK, 20mm inner width, material: aluminium |
| HUBS | Shimano TX505 / Shimano MT400 |
| AXLES | MERIDA COMP TR |
| SPOKES | Black stainless |
| TIRES | Continental Contact Plus |
| LIGHTS | Herrmans H-Black MR4 E / Herrmans H-Cargo integrated in MERIDA MIK carrier |
| CARRIER | MERIDA MIK Carrier with Spring clip & Herrmans rear light |
| FENDER | Sunnywheel SW-FA311-60E1 (MSB) |
| KICKSTAND | Massload CL-KA98 |
| FRAME LOCK | Abus 5650 LH-3 lock |
| BATTERY LOCK | Abus Key |
| DRIVE UNIT | Shimano E5000, 40Nm |
| BATTERY | Shimano E8010, 504Wh |



eSPRESSO CITY

GEOMETRIES



eSPRESSO CITY LITE II / HG

| FS Frame Size | XS(38) | S(43) | M(48) | L(53) | XL(58) |
|-------------------------------------------------------------------|--------|-------|-------|-------|--------|
| TS Tire Size | 28" | 28" | 28" | 28" | 28" |
| ST seat tube [mm] | 380 | 430 | 480 | 530 | 580 |
| TT top tube [mm] | 580 | 595 | 615 | 635 | 655 |
| CS chain stay length [mm] | 470 | 470 | 470 | 470 | 470 |
| HTA head tube angle [°] | 70 | 70 | 70 | 70 | 70 |
| STA seat tube angle [°] | 73,5 | 73,5 | 73,5 | 73,5 | 73,5 |
| BD bottom bracket drop [mm] | 65 | 65 | 65 | 65 | 65 |
| HT head tube [mm] | 170 | 175 | 180 | 190 | 200 |
| FL fork length [mm] | 475 | 475 | 475 | 475 | 475 |
| R reach [mm] | 386 | 399 | 418 | 435 | 452 |
| S stack [mm] | 656 | 661 | 665 | 675 | 684 |
| WB wheel base [mm] | 1113 | 1128 | 1149 | 1169 | 1190 |
| SH stand over height [mm] <i>(measured at lowest position)</i> | 413 | 413 | 412 | 412 | 411 |

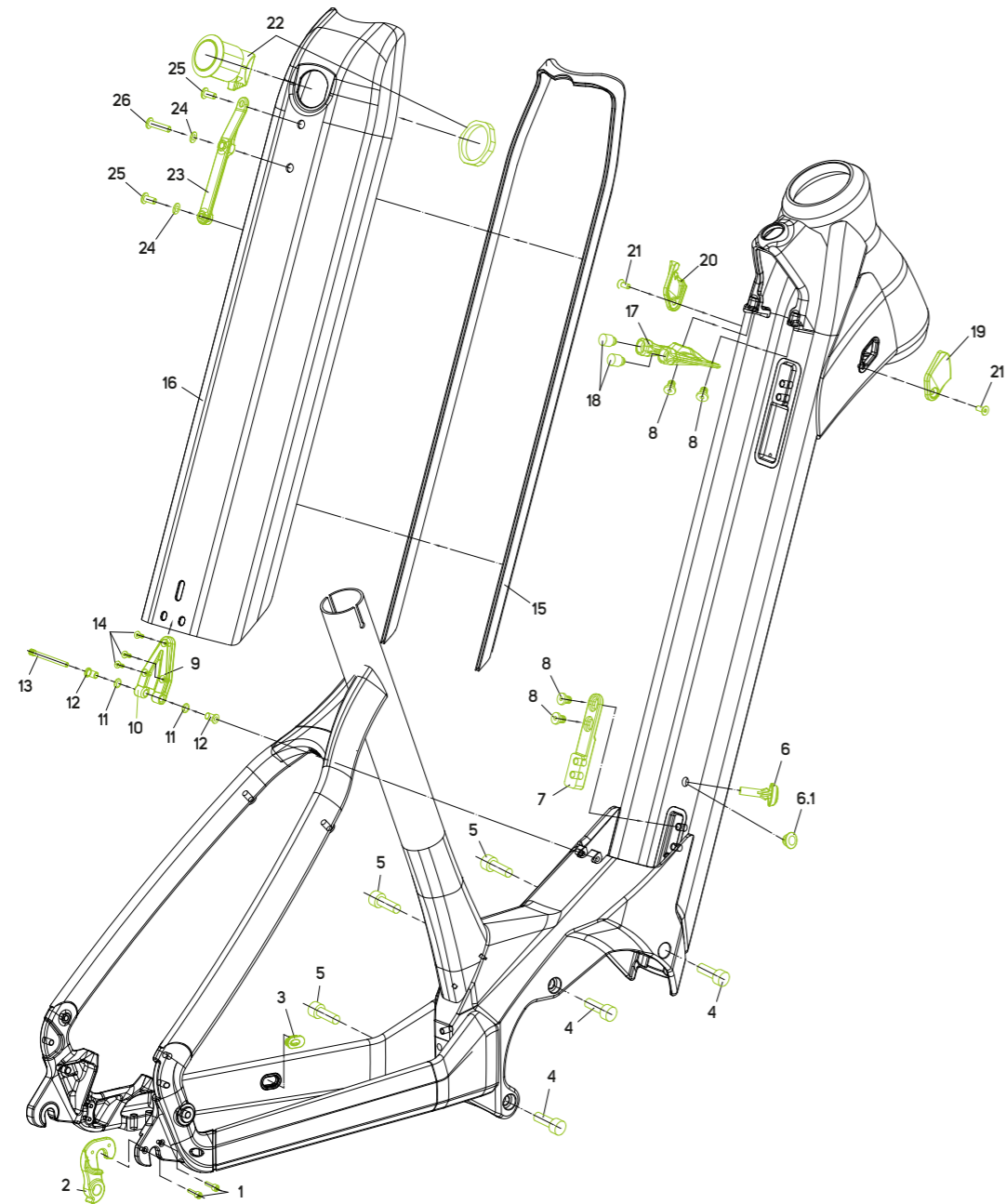
eSPRESSO CITY LITE

| FS Frame Size | XS(41.5) | S(45) | M(49) | L(53) | XL(57) |
|-------------------------------------------------------------------|----------|-------|-------|-------|--------|
| TS Tire Size | 28" | 28" | 28" | 28" | 28" |
| ST seat tube [mm] | 415 | 450 | 490 | 530 | 570 |
| TT top tube [mm] | 575 | 590 | 605 | 620 | 635 |
| CS chain stay length [mm] | 490 | 490 | 490 | 490 | 490 |
| HTA head tube angle [°] | 69.5 | 70 | 70 | 70.5 | 70.5 |
| STA seat tube angle [°] | 74 | 73.5 | 73 | 73 | 72.5 |
| BD bottom bracket drop [mm] | 70 | 70 | 70 | 70 | 70 |
| HT head tube [mm] | 160 | 170 | 185 | 200 | 215 |
| FL fork length [mm] | 477 | 477 | 477 | 477 | 477 |
| R reach [mm] | 389 | 394 | 398 | 408 | 412 |
| S stack [mm] | 651 | 662 | 676 | 693 | 707 |
| WB wheel base [mm] | 1140 | 1143 | 1153 | 1163 | 1171 |
| SH stand over height [mm] <i>(measured at lowest position)</i> | 378 | 379 | 379 | 380 | 380 |

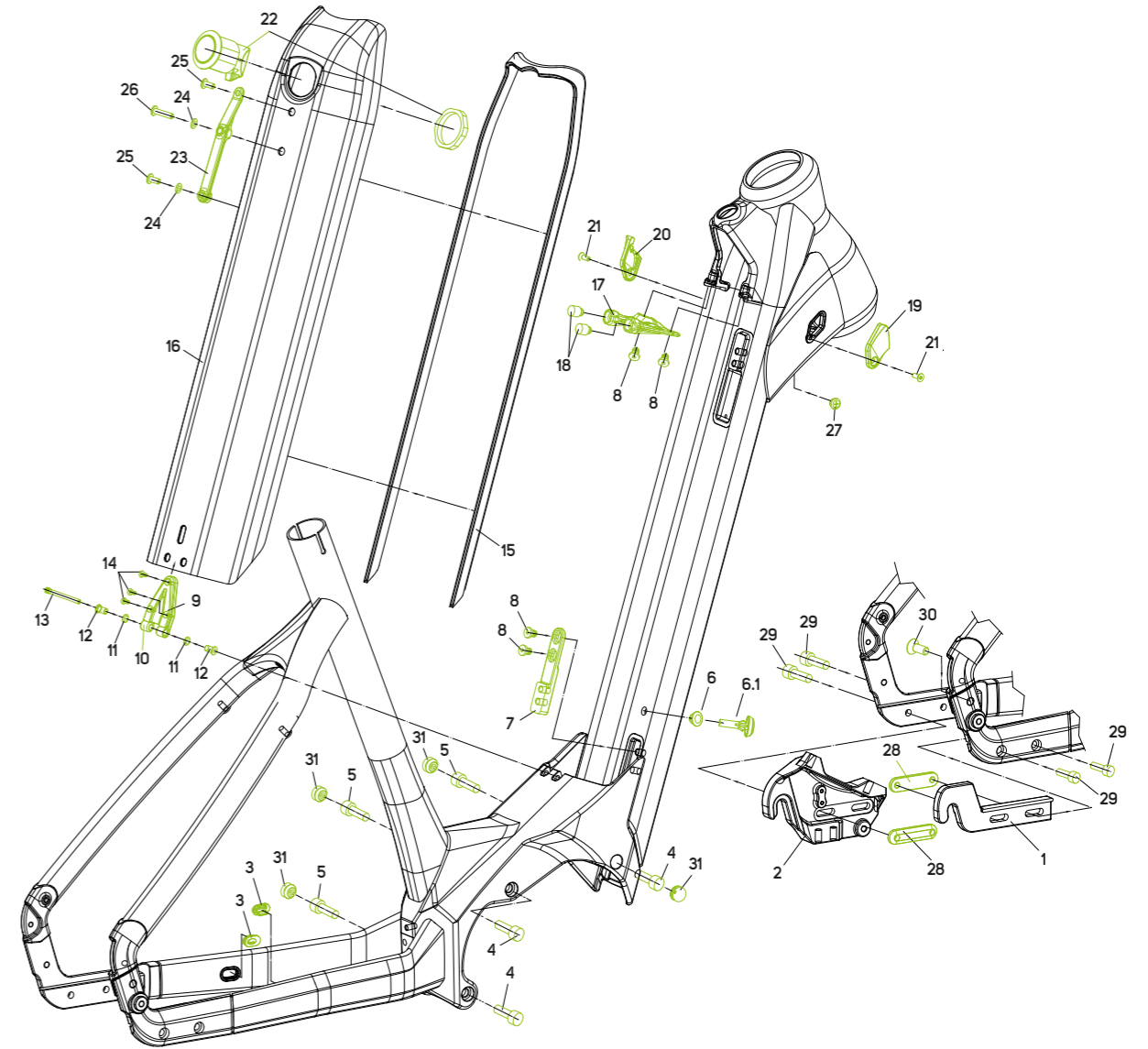
FRAME INTERFACES

| | LITE II | LITE II HG | LITE |
|------------------------------------------|----------------------------------------------------------------|----------------------------------|-----------------------|
| MAX. WHEELSIZE | 700x50C / 27x2.25" (with fender) | 700x50C / 27x2.25" (with fender) | 700x47C (with fender) |
| HEAD TUBE | | | |
| 11/8" & 1 1/2" | | | • |
| 1 1/2" & 1 1/2" | • | • | |
| HEADSET | | | |
| SEMI-INTEGRATED (44-55 mm) | | | • |
| SEMI-INTEGRATED (56-56 mm) | • | • | |
| BRAKE STANDARD | | | |
| DISC BRAKE ON CHAIN STAY | • | • | • |
| POST MOUNT 160 mm REAR BRAKE | | • | • |
| POST MOUNT 180 mm REAR BRAKE | • | | |
| SEATPOST DIAMETER | | | |
| 30.9 mm | | | • |
| 34.9 mm | • | • | |
| REAR DROPOUT-STANDARD | | | |
| THRU AXLE 12x142 mm | | | • |
| HUB GEAR SLIDER DO 9x135 mm | | • | |
| QUICK RELEASE 9x135 mm | • | | |
| CABLE ROUTING | | | |
| INTERNAL SHIFTING CABLES | • | • | • |
| INTERNAL BRAKE CABLE | • | • | • |
| INTERNAL SEAT POST CABLE | • | • | • |
| DI2-READY | • | • | • |
| EQUIPMENT OPTIONS | | | |
| PLETSCHER 18 mm | | | • |
| ATRAN VELO 17 mm | • | • | |
| CARRIER MOUNT FRAME (RACKTIME SHINE EVO) | | | • |
| CARRIER MOUNT FRAME (STANDARD) | | | • |
| CARRIER MOUNT FRAME (M010) | • | • | |
| FENDER MOUNT FRAME | • | • | • |
| FENDER MOUNT FORK | • | • | • |
| MOTOR INTERFACE | Shimano Type 2 | Shimano Type 2 | Shimano Type 2 |
| BATTERY | Shimano BT-E8036/8035-L or Simplo TPS-004-35PA/TPP-001-35PA | | Shimano BT-E8016/8010 |
| SPEEDSENSOR MOUNT | SM-DUE11 | SM-DUE11 | SM-DUE11 |
| RD HANGER | DH-013F | DH-055B-R/DH-073-L | DH-057 |

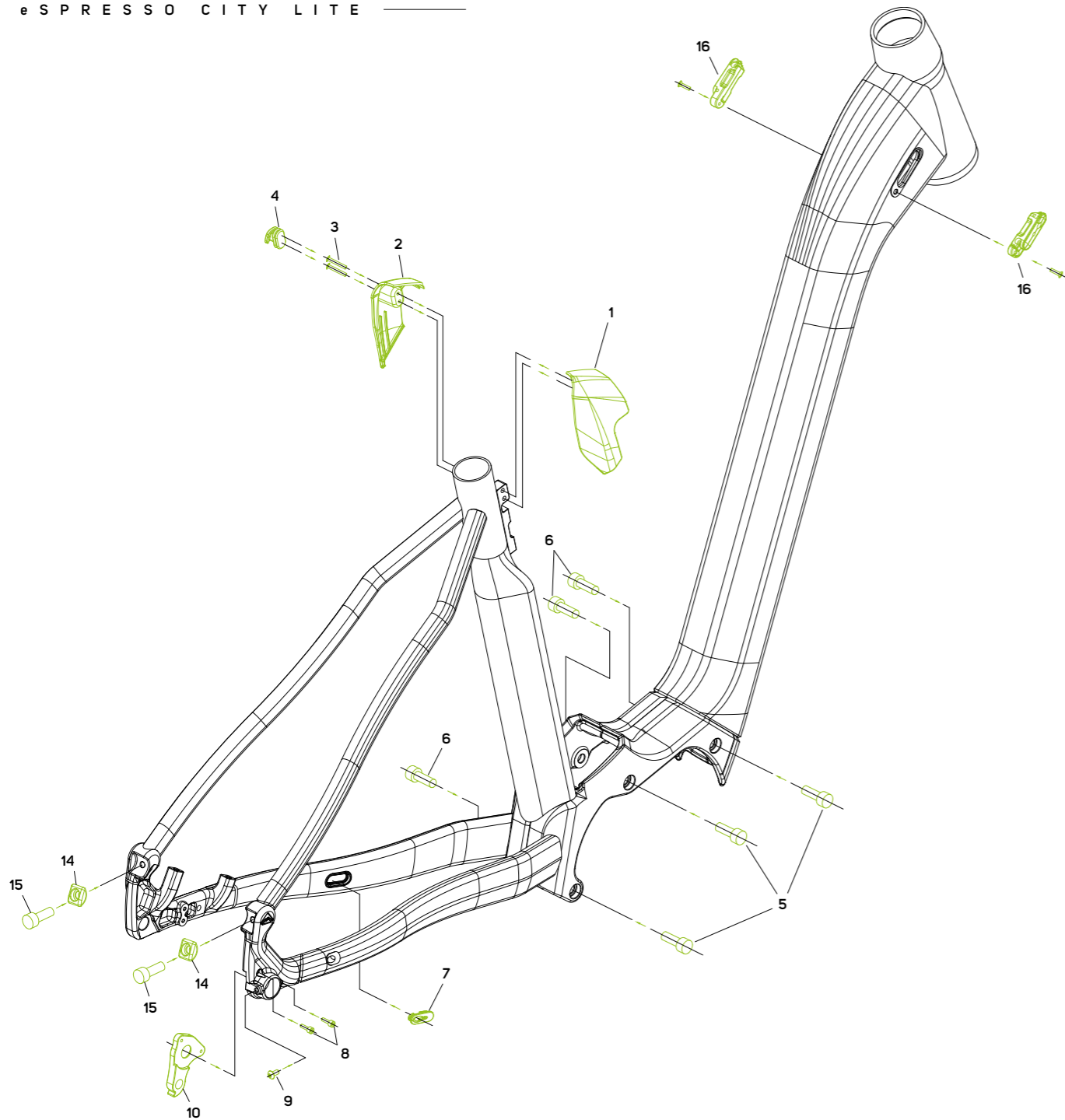




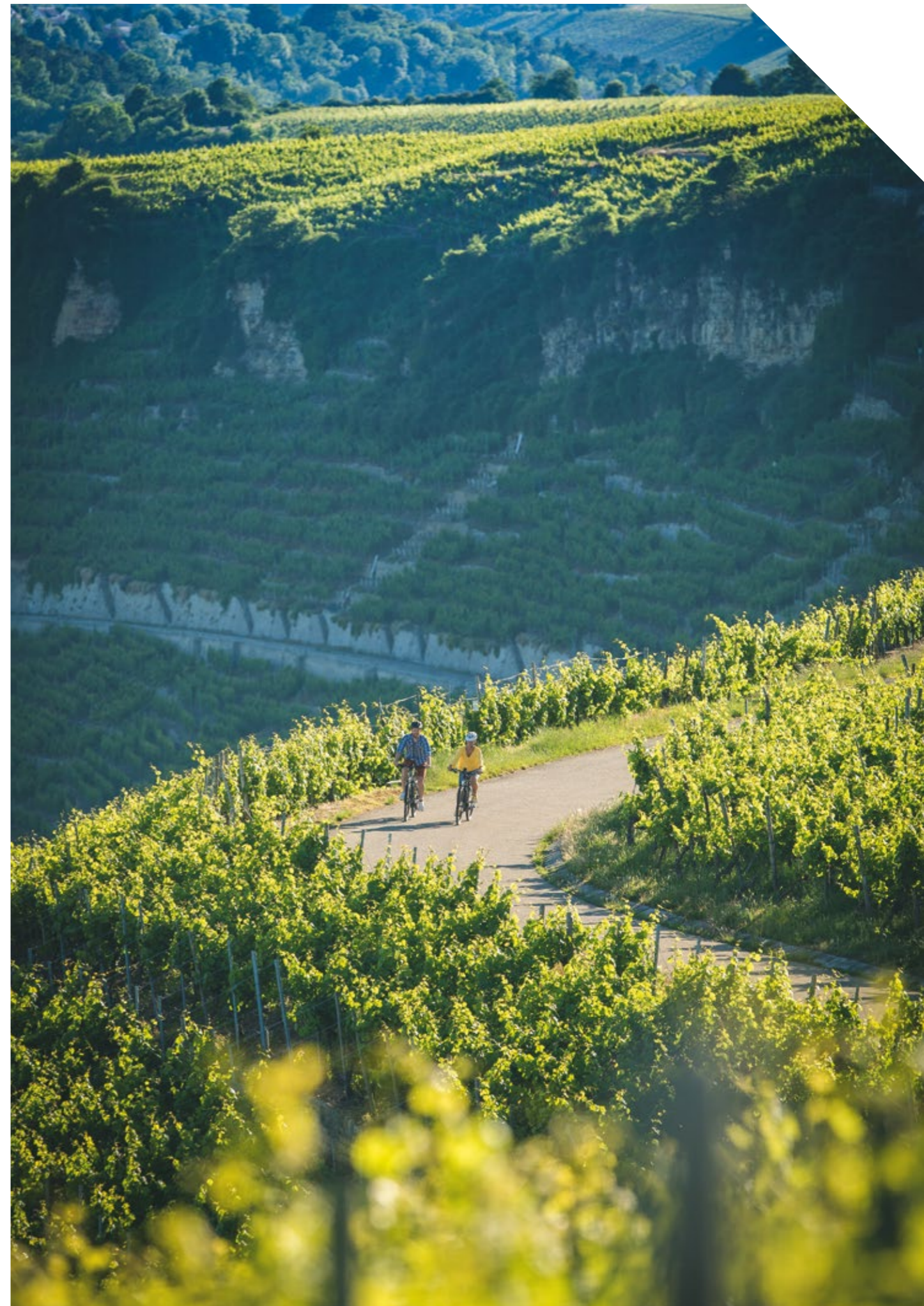
| No. | Item No. | Item | Detail information | Pieces | Torque Nm | No. | Item No. | Item | Detail information | Pieces | Torque Nm |
|-----|------------|----------------|------------------------|--------|-----------|-----|------------|---------------|-------------------------------|--------|-----------|
| 1 | 2300000772 | SCREW | | 2 | 4 | 16 | 2161002337 | BATTERY COVER | for size XS W SHIMANO BATTERY | 1 | |
| 2 | 2311005167 | DROPOUT | DH-013F (see page 608) | 1 | | 16 | 2161002348 | BATTERY COVER | for size S W SHIMANO BATTERY | 1 | |
| 3 | 2258004471 | CABLE GUIDE | | 2 | | 16 | 2161002359 | BATTERY COVER | for size M W SHIMANO BATTERY | 1 | |
| 4 | 2300015751 | SCREW | | 3 | 12 | 16 | 2161002360 | BATTERY COVER | for size L W SHIMANO BATTERY | 1 | |
| 5 | 2300015762 | SCREW | | 3 | 12 | 16 | 2161002371 | BATTERY COVER | for size XL W SHIMANO BATTERY | 1 | |
| 6 | 2143003934 | ON /OFF BUTTON | for SHIMANO BATTERY | | | 16 | 2161002285 | BATTERY COVER | for size XS W SIMPLO BATTERY | 1 | |
| 6.1 | 2143003600 | PLUG | for SIMPLO BATTERY | 1 | | 16 | 2161002296 | BATTERY COVER | for size S W SIMPLO BATTERY | 1 | |
| 7 | 2164001900 | ADAPTER | | 1 | | 16 | 2161002304 | BATTERY COVER | for size M W SIMPLO BATTERY | 1 | |
| 8 | 2298011142 | SCREW | | 4 | 8 | 16 | 2161002315 | BATTERY COVER | for size L W SIMPLO BATTERY | 1 | |
| 9 | 2030000514 | COVER HOLDER | | 1 | | 16 | 2161002326 | BATTERY COVER | for size XL W SIMPLO BATTERY | 1 | |
| 10 | 2030000525 | COVER HOLDER | | 1 | | 17 | 2136002123 | LATCH KEEPER | | 1 | |
| 11 | 2160000363 | O-RING | | 2 | | 18 | 2029000083 | BUMPER | | 2 | |
| 12 | 2221002481 | BUSHING | | 2 | | 19 | 2258005386 | CABLE GUIDE | | 1 | |
| 13 | 2300016376 | SCREW | | 1 | 6 | 20 | 2258005397 | CABLE GUIDE | | 1 | |
| 14 | 2300011810 | SCREW | | 3 | 4 | 21 | 2300011768 | SCREW | | 2 | 2,5 |
| 15 | 2158003863 | RUBBER LIP | for size XS | 1 | | 22 | LATCH | | 1 | | |
| 15 | 2158003874 | RUBBER LIP | for size S | 1 | | 23 | 2136001371 | BC-MOUNT | | 1 | |
| 15 | 2158003885 | RUBBER LIP | for size M | 1 | | 24 | 2292002578 | WASHER | | 2 | |
| 15 | 2158003896 | RUBBER LIP | for size L | 1 | | 25 | 2298011283 | SCREW | | 2 | 6 |
| 15 | 2158003904 | RUBBER LIP | for size XL | 1 | | 26 | 2298011454 | SCREW | | 1 | 6 |



| No. | Item No. | Item | Detail information | Pieces | Torque Nm | No. | Item No. | Item | Detail information | Pieces | Torque Nm |
|-----|------------|---------------|-------------------------------|--------|-----------|-----|------------|---------------|-------------------------------|--------|-----------|
| 1 | 2311005725 | DROPOUT | DH-055B-R | 1 | | 16 | 2161002360 | BATTERY COVER | for size L W SHIMANO BATTERY | 1 | |
| 2 | 2311005844 | DROPOUT | DH-073-L | 1 | | 16 | 2161002371 | BATTERY COVER | for size XL W SHIMANO BATTERY | 1 | |
| 3 | 2258004471 | CABLE GUIDE | | 2 | | 16 | 2161002285 | BATTERY COVER | for size XS W SIMPLO BATTERY | 1 | |
| 4 | 2300015751 | SCREW | | 3 | 12 | 16 | 2161002296 | BATTERY COVER | for size S W SIMPLO BATTERY | 1 | |
| 5 | 2300015762 | SCREW | | 3 | 12 | 16 | 2161002304 | BATTERY COVER | for size M W SIMPLO BATTERY | 1 | |
| 6 | 2143003934 | ON/OFF BUTTON | for SHIMANO BATTERY | | | 16 | 2161002315 | BATTERY COVER | for size L W SIMPLO BATTERY | 1 | |
| 6.1 | 2143003600 | PLUG | for SIMPLO BATTERY | 1 | | 16 | 2161002326 | BATTERY COVER | for size XL W SIMPLO BATTERY | 1 | |
| 7 | 2164001900 | ADAPTER | | 1 | | 17 | 2136002123 | LATCH KEEPER | | 1 | |
| 8 | 2298011142 | SCREW | | 4 | 8 | 18 | 2029000083 | BUMPER | | 2 | |
| 9 | 2030000514 | COVER HOLDER | | 1 | | 19 | 2258005386 | CABLE GUIDE | | 1 | |
| 10 | 2030000525 | COVER HOLDER | | 1 | | 20 | 2258005397 | CABLE GUIDE | | 1 | |
| 11 | 2160000363 | O-RING | | 2 | | 21 | 2300011768 | SCREW | | 2 | 2,5 |
| 12 | 2221002481 | BUSHING | | 2 | | 22 | LATCH | | 1 | | |
| 13 | 2300016376 | SCREW | | 1 | 6 | 23 | 2136001371 | BC-MOUNT | | 1 | |
| 14 | 2300011810 | SCREW | | 3 | 4 | 24 | 2292002578 | WASHER | | 2 | |
| 15 | 2158003863 | RUBBER LIP | for size XS | 1 | | 25 | 2298011283 | SCREW | | 2 | 6 |
| 15 | 2158003874 | RUBBER LIP | for size S | 1 | | 26 | 2298011454 | SCREW | | 1 | 6 |
| 15 | 2158003885 | RUBBER LIP | for size M | 1 | | 27 | 2143003893 | CABLE GUIDE | | 1 | |
| 15 | 2158003896 | RUBBER LIP | for size L | 1 | | 28 | 2136001166 | PLATE | | 2 | |
| 15 | 2158003904 | RUBBER LIP | for size XL | 1 | | 29 | 2300003065 | SCREW | | 4 | 12 |
| 16 | 2161002337 | BATTERY COVER | for size XS W SHIMANO BATTERY | 1 | | 30 | 2300016053 | SCREW | | 1 | 12 |
| 16 | 2161002348 | BATTERY COVER | for size S W SHIMANO BATTERY | 1 | | 31 | PLUG | | 4 | | |
| 16 | 2161002359 | BATTERY COVER | for size M W SHIMANO BATTERY | 1 | | | | | | | |



| No. | Item No. | Item | Detail information | Pieces | Torque Nm |
|-----|------------|---------------|--------------------------|--------|-----------|
| 1 | 2161000692 | BATTERY COVER | | 1 | |
| 2 | 2161000700 | BATTERY COVER | | 1 | |
| 3 | 2300013426 | SCREW | | 2 | 5 |
| 4 | 2143003280 | PLUG | | 1 | |
| 5 | 2300012101 | SCREW | | 3 | 12 |
| 6 | 2300012112 | SCREW | | 3 | 12 |
| 7 | 2258004943 | CABLE GUIDE | | 1 | |
| 8 | 2300009458 | SCREW | | 2 | 4 |
| 9 | 2300005272 | SCREW | | 1 | 5 |
| 10 | 2311005101 | DROPOUT | DH-057 (see page 610) | 1 | |
| 14 | 2143003213 | BLIND PLUG | if no carrier is mounted | 2 | |
| 15 | 2298011131 | SCREW | if no carrier is mounted | 2 | 8 |
| 16 | | SMART ENTRY | (see page 606) | | |



eSPRESSO CC

RUGGED URBAN MOBILITY

Our eSPRESSO CC bikes offer all the characteristics and features of our 'classic' eSPRESSO, but in a slightly more rugged package. So if you like to take your super comfortable step-through bike not just around town, but perhaps also across the rougher lanes, gravel tracks and smoother forest trails, then the eSPRESSO CC could be your perfect partner. The wider and more grippy 650B tyres of the eSPRESSO CC will deliver extra comfort, control and grip when venturing away from the paved roads, while the new eSPRESSO frame with 'Energy Cradle' technology features further improved frame stiffness, extra low and wide step-through and the choice of the latest Shimano STePS motors. The new seamlessly integrated battery with a capacity of 745 Wh from Simplo or 630 Wh from Shimano (depending on model), provides extended range and the new EP8 motor from Shimano gives extra performance and smoothness.



1

INTERNAL CABLE ROUTING

We feature internal cable routing on all our eSPRESSO CC models. Cables are routed through the frame, entering and exiting through smooth sockets. Only a clever system for our internal guiding and fixing guarantees reliable and rattle free routing and gives the bike a cleaner look.

2

OPTIMISED CENTRE OF GRAVITY

A centrally positioned low centre of gravity, which has been achieved through the positioning of the battery in the lower position of the downtube as well as the location of the Shimano mid-mounted motors (EP8/E6100), combined with an extremely strong and stiff frame, enables the eSPRESSO CC to deliver fantastic riding characteristics in any situation.

3

650B WHEELS WITH BIG VOLUME TYRES

The decision to use 650B wheels with 2.25" off-road tread pattern for our CC models is not just a design feature but has more practical reasons. To add big volume tyres to an e-bike provides increased comfort but also extra traction and therefore more safety reserves. Small and even bigger bumps can easily be rolled over, and a big volume tyre provides more puncture protection compared to a narrow one.

4

TWO FRAME OPTIONS

The eSPRESSO CC is available with the new 'Energy Cradle' frame, where the 745 or 630 Wh battery (depending on model) is housed on top of the downtube, and can be accessed via a removable aluminium battery cover, or as a semi-integrated frame, where the 504 Wh battery is integrated into the lower part of the downtube.

5

FULLY EQUIPPED

The eSPRESSO CC come fully equipped with fenders, kickstand, carrier and lights. Ready for any outing you can think of.

6

EXCELLENT FRAME STIFFNESS THROUGH ENERGY CRADLE

Unique cradle like shaping of the downtube to accommodate the battery, without losing the all important frame stiffness of our low step-through frames. By not adding cutouts to the downtube, we can maintain the outstanding frame stiffness, that prevents our low step through bikes from wobbling under load. Paired with an aluminium battery cover, the frames give the impression of an integrated battery, without sacrificing stability and battery accessibility. The tapered head tube, the large tube diameters and the forged motor bracket all contribute to achieving a safe and precise riding experience.

7

LOW STEP-THROUGH

The Shimano mid-mounted motor in combination with the forged (LITE) or casted (LITE II) motor bracket provides the eSPRESSO CC with an extremely low step-through height.

eSPRESSO CC XT-EDITION EQ

SILK TITAN (BLACK)

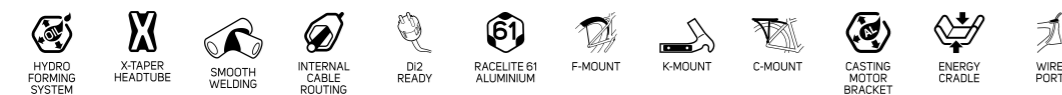
LITE II HFS-hydroforming Prolite 61 double butted aluminium frame featuring 'Energy Cradle' technology for maximum frame stiffness and stability. Based around fast-rolling 700c wheels and with commuting and leisure riding in mind. A higher front end and a compact geometry make for a more upright and extremely comfortable riding position. Comes equipped with mudguards, rear rack, side stand, lock and lights.

| URBAN | COMMUTING | TOUR | LEISURE |



| | |
|-----------------------|-------------------------------------------------------------------------------------------------------------------|
| FRAME | eSPRESSO CC LITE II, material: aluminium, 27,5x2,25" max. wheelsize, 135x9mm axle standard, internal, max. 630 Wh |
| FRAME SIZE | XS, S, M, L, XL |
| FORK | Suntour MOBIE A32 NLO, Coil, 75mm suspension travel, lockout, 27,5x2,4" max wheelsize |
| BRAKES | Shimano Deore T6000 |
| ROTORS | Shimano RT30 / Shimano RTEM300 |
| HEADSET | ACROS Trekking Headset |
| HANDLEBAR | MERIDA EXPERT TK, material: aluminium, 680mm width, 15mm rise |
| HANDLEBAR STEM | MERIDA EXPERT TK II, material: aluminium, 31.8mm diameter, adjustable, 80 mm- XS/S/M/L/XL |
| GRIP | MERIDA EXPERT TK |
| DERAILLEUR (R) | Shimano XT M8100, SGS |
| SHIFTERS | Shimano XT M8100 |
| SEAT POST | MERIDA EXPERT TK, 30.9mm diameter, 15mm setback, 40mm seatpost suspension travel |
| SEAT CLAMP | MERIDA EXPERT |
| SADDLE | MERIDA EXPERT TK, V-mount, incl. MERIDA minitool |
| PEDAL | VP VPE-889 |
| CHAIN | KMC e12S EPT |

| | |
|---------------------|-----------------------------------------------------------------------------------------------|
| CHAINGUARD | Sunnywheel SW-CG-173A |
| CHAINWHEEL | Samox NWP203, 38 teeth, MERIDA EXPERT TK |
| FREEWHEEL | Shimano M6100, 10-51 teeth, 12 speed |
| RIM | MERIDA COMP TK, 20mm inner width, material: aluminium |
| HUBS | Shimano MT400 / Shimano MT500 |
| SPOKES | Black stainless |
| TIRES | Maxxis Crossmark II |
| LIGHTS | LEZYNE E-BIKE MINI STVZO E65 / Spanninga Commuter Glow XE integrated in MERIDA MIK HD carrier |
| CARRIER | MERIDA MIK HD Carrier with Spring clip & Spanninga rear light |
| FENDER | Sunnywheel SW-FA-311-65A(MSB) |
| KICKSTAND | Atravelo 1219-PC-7 |
| FRAME LOCK | Abus 4650 XL |
| BATTERY LOCK | Abus Key |
| DRIVE UNIT | Shimano EP8, 85Nm |
| BATTERY | Shimano E8036, 630Wh |
| DISPLAY | Shimano SC-E6100 |



eSPRESSO CC XT-EDITION EQ

WHITE (BLACK)

LITE II HFS-hydroforming Prolite 61 double butted aluminium frame featuring 'Energy Cradle' technology for maximum frame stiffness and stability. Based around fast-rolling 700c wheels and with commuting and leisure riding in mind. A higher front end and a compact geometry make for a more upright and extremely comfortable riding position. Comes equipped with mudguards, rear rack, side stand, lock and lights.

| URBAN | COMMUTING | TOUR | LEISURE |



| | |
|-----------------------|-------------------------------------------------------------------------------------------------------------------|
| FRAME | eSPRESSO CC LITE II, material: aluminium, 27,5x2,25" max. wheelsize, 135x9mm axle standard, internal, max. 630 Wh |
| FRAME SIZE | XS, S, M, L, XL |
| FORK | Suntour MOBIE A32 NLO, Coil, 75mm suspension travel, lockout, 27,5x2,4" max wheelsize |
| BRAKES | Shimano Deore T6000 |
| ROTORS | Shimano RT30 / Shimano RTEM300 |
| HEADSET | ACROS Trekking Headset |
| HANDLEBAR | MERIDA EXPERT TK, material: aluminium, 680mm width, 15mm rise |
| HANDLEBAR STEM | MERIDA EXPERT TK II, material: aluminium, 31.8mm diameter, adjustable, 80 mm- XS/S/M/L/XL |
| GRIP | MERIDA EXPERT TK |
| DERAILLEUR (R) | Shimano XT M8100, SGS |
| SHIFTERS | Shimano XT M8100 |
| SEAT POST | MERIDA EXPERT TK, 30.9mm diameter, 15mm setback, 40mm seatpost suspension travel |
| SEAT CLAMP | MERIDA EXPERT |
| SADDLE | MERIDA EXPERT TK, V-mount, incl. MERIDA minitool |
| PEDAL | VP VPE-889 |
| CHAIN | KMC e12S EPT |

| | |
|---------------------|-----------------------------------------------------------------------------------------------|
| CHAINGUARD | Sunnywheel SW-CG-173A |
| CHAINWHEEL | Samox NWP203, 38 teeth, MERIDA EXPERT TK |
| FREEWHEEL | Shimano M6100, 10-51 teeth, 12 speed |
| RIM | MERIDA COMP TK, 20mm inner width, material: aluminium |
| HUBS | Shimano MT400 / Shimano MT500 |
| SPOKES | Black stainless |
| TIRES | Maxxis Crossmark II |
| LIGHTS | LEZYNE E-BIKE MINI STVZO E65 / Spanninga Commuter Glow XE integrated in MERIDA MIK HD carrier |
| CARRIER | MERIDA MIK HD Carrier with Spring clip & Spanninga rear light |
| FENDER | Sunnywheel SW-FA-311-65A(MSB) |
| KICKSTAND | Atravelo 1219-PC-7 |
| FRAME LOCK | Abus 4650 XL |
| BATTERY LOCK | Abus Key |
| DRIVE UNIT | Shimano EP8, 85Nm |
| BATTERY | Shimano E8036, 630Wh |
| DISPLAY | Shimano SC-E6100 |



eSPRESSO CC XT-EDITION EQ

BLUE (BLACK)

LITE II HFS-hydroforming Prolite 61 double butted aluminium frame featuring 'Energy Cradle' technology for maximum frame stiffness and stability. Based around fast-rolling 700c wheels and with commuting and leisure riding in mind. A higher front end and a compact geometry make for a more upright and extremely comfortable riding position. Comes equipped with mudguards, rear rack, side stand, lock and lights.

URBAN | COMMUTING | TOUR | LEISURE



| | |
|-----------------------|-------------------------------------------------------------------------------------------------------------------|
| FRAME | eSPRESSO CC LITE II, material: aluminium, 27,5x2,25" max. wheelsize, 135x9mm axle standard, internal, max. 630 Wh |
| FRAME SIZE | XS, S, M, L, XL |
| FORK | Suntour MOBIE A32 NLO, Coil, 75mm suspension travel, lockout, 27,5x2,4" max wheelsize |
| BRAKES | Shimano Deore T6000 |
| ROTORS | Shimano RT30 / Shimano RTEM300 |
| HEADSET | ACROS Trekking Headset |
| HANDLEBAR | MERIDA EXPERT TK, material: aluminium, 680mm width, 15mm rise |
| HANDLEBAR STEM | MERIDA EXPERT TK II, material: aluminium, 31.8mm diameter, adjustable, 80 mm- XS/S/M/L/XL |
| GRIP | MERIDA EXPERT TK |
| DERAILLEUR (R) | Shimano XT M8100, SGS |
| SHIFTERS | Shimano XT M8100 |
| SEAT POST | MERIDA EXPERT TK, 30.9mm diameter, 15mm setback, 40mm seatpost suspension travel |
| SEAT CLAMP | MERIDA EXPERT |
| SADDLE | MERIDA EXPERT TK, V-mount, incl. MERIDA minitool |
| PEDAL | VP VPE-889 |
| CHAIN | KMC e12S EPT |

| | |
|---------------------|-----------------------------------------------------------------------------------------------|
| CHAINGUARD | Sunnywheel SW-CG-173A |
| CHAINWHEEL | Samox NWP203, 38 teeth, MERIDA EXPERT TK |
| FREEWHEEL | Shimano M6100, 10-51 teeth, 12 speed |
| RIM | MERIDA COMP TK, 20mm inner width, material: aluminium |
| HUBS | Shimano MT400 / Shimano MT500 |
| SPOKES | Black stainless |
| TIRES | Maxxis Crossmark II |
| LIGHTS | LEZYNE E-BIKE MINI STVZO E65 / Spanninga Commuter Glow XE integrated in MERIDA MIK HD carrier |
| CARRIER | MERIDA MIK HD Carrier with Spring clip & Spanninga rear light |
| FENDER | Sunnywheel SW-FA-311-65A(MSB) |
| KICKSTAND | Atravelo 1219-PC-7 |
| FRAME LOCK | Abus 4650 XL |
| BATTERY LOCK | Abus Key |
| DRIVE UNIT | Shimano EP8, 85Nm |
| BATTERY | Shimano E8036, 630Wh |
| DISPLAY | Shimano SC-E6100 |



eSPRESSO CC 600 EQ

SILK TITAN (BLACK)

LITE II HFS-hydroforming Prolite 61 double butted aluminium frame featuring 'Energy Cradle' technology for maximum frame stiffness and stability. Based around fast-rolling 700c wheels and with commuting and leisure riding in mind. A higher front end and a compact geometry make for a more upright and extremely comfortable riding position. Comes equipped with mudguards, rear rack, side stand, lock and lights.

URBAN | COMMUTING | TOUR | LEISURE



| | |
|-----------------------|-------------------------------------------------------------------------------------------------------------------|
| FRAME | eSPRESSO CC LITE II, material: aluminium, 27,5x2,25" max. wheelsize, 135x9mm axle standard, internal, max. 630 Wh |
| FRAME SIZE | XS, S, M, L, XL |
| FORK | Suntour MOBIE A32 NLO, Coil, 75mm suspension travel, lockout, 27,5x2,4" max wheelsize |
| BRAKES | Shimano MT402-3A |
| ROTORS | Shimano RT30 / Shimano RTEM300 |
| HEADSET | MERIDA CAP w/ wire gateway |
| HANDLEBAR | MERIDA EXPERT TK, material: aluminium, 660mm width, 15mm rise |
| HANDLEBAR STEM | MERIDA EXPERT CT, material: aluminium, 31.8mm diameter, adjustable, 90 mm- XS/S/M/L/XL |
| GRIP | MERIDA EXPERT TK |
| DERAILLEUR (R) | Shimano Deore M5100, SGS |
| SHIFTERS | Shimano Deore M5100 |
| SEAT POST | MERIDA EXPERT TK, 30.9mm diameter, 15mm setback, 40mm seatpost suspension travel |
| SEAT CLAMP | MERIDA EXPERT |
| SADDLE | MERIDA EXPERT TK, V-mount, incl. MERIDA minitool |
| PEDAL | VP VPE-891 |
| CHAIN | KMC e11S EPT |

| | |
|---------------------|-----------------------------------------------------------------------------------------|
| CHAINGUARD | Sunnywheel SW-CG-173A |
| CHAINWHEEL | Samox NWP203, 38 teeth, MERIDA EXPERT TK |
| FREEWHEEL | Shimano M5100, 11-51 teeth, 11 speed |
| RIM | MERIDA COMP TK, 20mm inner width, material: aluminium |
| HUBS | Shimano Deore |
| SPOKES | Black stainless |
| TIRES | Maxxis Crossmark II |
| LIGHTS | Herrmans H-Black MR4 E / Spanninga Commuter Glow XE integrated in MERIDA MIK HD carrier |
| CARRIER | MERIDA MIK HD Carrier with Spring clip & Spanninga rear light |
| FENDER | Sunnywheel SW-FA-311-65A(MSB) |
| KICKSTAND | Atravelo 1219-PC-7 |
| FRAME LOCK | Abus 4650 XL |
| BATTERY LOCK | Abus Key |
| DRIVE UNIT | Shimano EP8, 85Nm |
| BATTERY | Shimano E8036, 630Wh |
| DISPLAY | Shimano SC-E6100 |



eSPRESSO CC 600 EQ

SILK RED (BLACK)

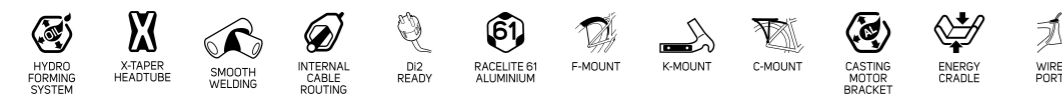
LITE II HFS-hydroforming Prolite 61 double butted aluminium frame featuring 'Energy Cradle' technology for maximum frame stiffness and stability. Based around fast-rolling 700c wheels and with commuting and leisure riding in mind. A higher front end and a compact geometry make for a more upright and extremely comfortable riding position. Comes equipped with mudguards, rear rack, side stand, lock and lights.

| URBAN | COMMUTING | TOUR | LEISURE |



| | |
|-----------------------|-------------------------------------------------------------------------------------------------------------------|
| FRAME | eSPRESSO CC LITE II, material: aluminium, 27,5x2,25" max. wheelsize, 135x9mm axle standard, internal, max. 630 Wh |
| FRAME SIZE | XS, S, M, L, XL |
| FORK | Suntour MOBIE A32 NLO, Coil, 75mm suspension travel, lockout, 27,5x2,4" max wheelsize |
| BRAKES | Shimano MT402-3A |
| ROTORS | Shimano RT30 / Shimano RTEM300 |
| HEADSET | MERIDA CAP w/ wire gateway |
| HANDLEBAR | MERIDA EXPERT TK, material: aluminium, 660mm width, 15mm rise |
| HANDLEBAR STEM | MERIDA EXPERT CT, material: aluminium, 31.8mm diameter, adjustable, 90 mm- XS/S/M/L/XL |
| GRIP | MERIDA EXPERT TK |
| DERAILLEUR (R) | Shimano Deore M5100, SGS |
| SHIFTERS | Shimano Deore M5100 |
| SEAT POST | MERIDA EXPERT TK, 30.9mm diameter, 15mm setback, 40mm seatpost suspension travel |
| SEAT CLAMP | MERIDA EXPERT |
| SADDLE | MERIDA EXPERT TK, V-mount, incl. MERIDA minitool |
| PEDAL | VP VPE-891 |
| CHAIN | KMC e11S EPT |

| | |
|---------------------|-----------------------------------------------------------------------------------------|
| CHAINGUARD | Sunnywheel SW-CG-173A |
| CHAINWHEEL | Samox NWP203, 38 teeth, MERIDA EXPERT TK |
| FREEWHEEL | Shimano M5100, 11-51 teeth, 11 speed |
| RIM | MERIDA COMP TK, 20mm inner width, material: aluminium |
| HUBS | Shimano Deore |
| SPOKES | Black stainless |
| TIRES | Maxxis Crossmark II |
| LIGHTS | Herrmans H-Black MR4 E / Spanninga Commuter Glow XE integrated in MERIDA MIK HD carrier |
| CARRIER | MERIDA MIK HD Carrier with Spring clip & Spanninga rear light |
| FENDER | Sunnywheel SW-FA-311-65A(MSB) |
| KICKSTAND | Atravelo 1219-PC-7 |
| FRAME LOCK | Abus 4650 XL |
| BATTERY LOCK | Abus Key |
| DRIVE UNIT | Shimano EP8, 85Nm |
| BATTERY | Shimano E8036, 630Wh |
| DISPLAY | Shimano SC-E6100 |



eSPRESSO CC 400 EQ

SILK TITAN (BLACK)

LITE II HFS-hydroforming Prolite 61 double butted aluminium frame featuring 'Energy Cradle' technology for maximum frame stiffness and stability. Based around fast-rolling 700c wheels and with commuting and leisure riding in mind. A higher front end and a compact geometry make for a more upright and extremely comfortable riding position. Comes equipped with mudguards, rear rack, side stand, lock and lights.

| URBAN | COMMUTING | TOUR | LEISURE |



| | |
|-----------------------|-------------------------------------------------------------------------------------------------------------------|
| FRAME | eSPRESSO CC LITE II, material: aluminium, 27,5x2,25" max. wheelsize, 135x9mm axle standard, internal, max. 630 Wh |
| FRAME SIZE | XS, S, M, L, XL |
| FORK | Suntour NVX30 DS, Coil, 80mm suspension travel, 27,5x2,4" max wheelsize |
| BRAKES | Shimano MT-200 |
| ROTORS | Shimano RT10 / Shimano RTEM300 |
| HEADSET | MERIDA CAP w/ wire gateway |
| HANDLEBAR | MERIDA EXPERT TK, material: aluminium, 660mm width, 15mm rise |
| HANDLEBAR STEM | MERIDA EXPERT CT, material: aluminium, 31.8mm diameter, adjustable, 90 mm- XS/S/M/L/XL |
| GRIP | MERIDA EXPERT TK |
| DERAILLEUR (R) | Shimano Deore M5120, SGS |
| SHIFTERS | Shimano Deore M4100 |
| SEAT POST | MERIDA EXPERT TK, 30.9mm diameter, 15mm setback, 40mm seatpost suspension travel |
| SEAT CLAMP | MERIDA EXPERT |
| SADDLE | MERIDA EXPERT TK, V-mount, incl. MERIDA minitool |
| PEDAL | VP VPE-891 |
| CHAIN | KMC e10S EPT |

| | |
|---------------------|-----------------------------------------------------------------------------------------|
| CHAINGUARD | Sunnywheel SW-CG-173A |
| CHAINWHEEL | Shimano CRE61, 38 teeth, Shimano FC-E8000 |
| FREEWHEEL | Shimano M4100, 11-46 teeth, 10 speed |
| RIM | MERIDA COMP TK, 20mm inner width, material: aluminium |
| HUBS | Shimano TX505 |
| SPOKES | Black stainless |
| TIRES | Maxxis Crossmark II |
| LIGHTS | Herrmans H-Black MR4 E / Spanninga Commuter Glow XE integrated in MERIDA MIK HD carrier |
| CARRIER | MERIDA MIK HD Carrier with Spring clip & Spanninga rear light |
| FENDER | Sunnywheel SW-FA-311-65A(MSB) |
| KICKSTAND | Atravelo 1219-PC-7 |
| FRAME LOCK | Abus 4650 XL |
| BATTERY LOCK | Abus Key |
| DRIVE UNIT | Shimano E6100, 60Nm |
| BATTERY | Shimano E8036, 630Wh |
| DISPLAY | Shimano SC-E5000 |



eSPRESSO CC 400 EQ

MATT GREEN (BLACK)

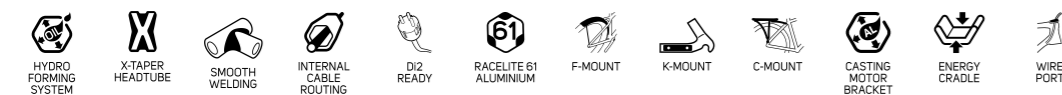
LITE II HFS-hydroforming Prolite 61 double butted aluminium frame featuring 'Energy Cradle' technology for maximum frame stiffness and stability. Based around fast-rolling 700c wheels and with commuting and leisure riding in mind. A higher front end and a compact geometry make for a more upright and extremely comfortable riding position. Comes equipped with mudguards, rear rack, side stand, lock and lights.

URBAN | COMMUTING | TOUR | LEISURE



| | |
|-----------------------|-------------------------------------------------------------------------------------------------------------------|
| FRAME | eSPRESSO CC LITE II, material: aluminium, 27,5x2,25" max. wheelsize, 135x9mm axle standard, internal, max. 630 Wh |
| FRAME SIZE | XS, S, M, L, XL |
| FORK | Suntour NVX30 DS, Coil, 80mm suspension travel, 27,5x2,4" max wheelsize |
| BRAKES | Shimano MT-200 |
| ROTORS | Shimano RT10 / Shimano RTE300 |
| HEADSET | MERIDA CAP w/ wire gateway |
| HANDLEBAR | MERIDA EXPERT TK, material: aluminium, 660mm width, 15mm rise |
| HANDLEBAR STEM | MERIDA EXPERT CT, material: aluminium, 31.8mm diameter, adjustable, 90 mm- XS/S/M/L/XL |
| GRIP | MERIDA EXPERT TK |
| DERAILLEUR (R) | Shimano Deore M5120, SGS |
| SHIFTERS | Shimano Deore M4100 |
| SEAT POST | MERIDA EXPERT TK, 30.9mm diameter, 15mm setback, 40mm seatpost suspension travel |
| SEAT CLAMP | MERIDA EXPERT |
| SADDLE | MERIDA EXPERT TK, V-mount, incl. MERIDA minitool |
| PEDAL | VP VPE-891 |
| CHAIN | KMC e10S EPT |

| | |
|---------------------|-----------------------------------------------------------------------------------------|
| CHAINGUARD | Sunnywheel SW-CG-173A |
| CHAINWHEEL | Shimano CRE61, 38 teeth, Shimano FC-E8000 |
| FREEWHEEL | Shimano M4100, 11-46 teeth, 10 speed |
| RIM | MERIDA COMP TK, 20mm inner width, material: aluminium |
| HUBS | Shimano TX505 |
| SPOKES | Black stainless |
| TIRES | Maxxis Crossmark II |
| LIGHTS | Herrmans H-Black MR4 E / Spanninga Commuter Glow XE integrated in MERIDA MIK HD carrier |
| CARRIER | MERIDA MIK HD Carrier with Spring clip & Spanninga rear light |
| FENDER | Sunnywheel SW-FA-311-65A(MSB) |
| KICKSTAND | Atravelo 1219-PC-7 |
| FRAME LOCK | Abus 4650 XL |
| BATTERY LOCK | Abus Key |
| DRIVE UNIT | Shimano E6100, 60Nm |
| BATTERY | Shimano E8036, 630Wh |
| DISPLAY | Shimano SC-E5000 |



eSPRESSO CC 400 SE EQ

SILK STEEL BLUE (BLACK/DARK SILVER)

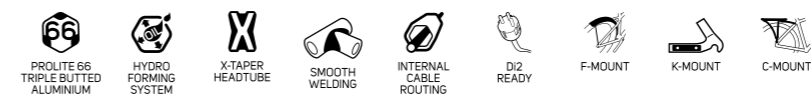
LITE 650 HFS-hydroforming Prolite 66 triple butted aluminium frame based around fast-rolling yet durable 650B wheels and with commuting and leisure riding in mind. A higher front end and a compact geometry make for a more upright and extremely comfortable riding position. Battery semi-integrated into the down tube and at an extra low position for improved handling. Comes equipped with mudguards, rear rack, side stand, lock and lights.

URBAN | COMMUTING | TOUR | LEISURE



| | |
|-----------------------|----------------------------------------------------------------------------------------------------------------|
| FRAME | eSPRESSO LITE 650, material: aluminium, 27,5x2,25 max. wheelsize, 135x9mm axle standard, external, max. 504 Wh |
| FRAME SIZE | XS, S, M, L |
| FORK | Suntour NVX30 DS, Coil, 80mm suspension travel, 27,5x2,4" max wheelsize |
| BRAKES | Shimano MT-200 |
| ROTORS | Shimano RT10 |
| HEADSET | MERIDA 2346 Neck |
| HANDLEBAR | MERIDA EXPERT TK, material: aluminium, 660mm width, 15mm rise |
| HANDLEBAR STEM | MERIDA EXPERT CT, material: aluminium, 31.8mm diameter, adjustable, 90 mm-XS/S/M, 110 mm-L/XL |
| GRIP | MERIDA EXPERT TK |
| DERAILLEUR (R) | Shimano Deore M592, SGS |
| SHIFTERS | Shimano Alivio M3100 |
| SEAT POST | MERIDA EXPERT TK, 30.9mm diameter, 15mm setback, 40mm seatpost suspension travel |
| SEAT CLAMP | MERIDA EXPERT |
| SADDLE | MERIDA EXPERT TK, V-mount |
| PEDAL | VP VPE-891 |
| CHAIN | KMC e9S |

| | |
|---------------------|-----------------------------------------------------------------------------------------|
| CHAINGUARD | Sunnywheel SW-CG-173A |
| CHAINWHEEL | Shimano CRE61, 38 teeth, Shimano FC-E6100 |
| FREEWHEEL | Shimano HG200, 11-36 teeth, 9 speed |
| RIM | MERIDA COMP TK, 20mm inner width, material: aluminium |
| HUBS | Shimano TX505 |
| SPOKES | Black stainless |
| TIRES | Maxxis Crossmark II |
| LIGHTS | Herrmans H-Black MR4 E / Spanninga Commuter Glow XE integrated in MERIDA MIK HD carrier |
| CARRIER | MERIDA MIK HD Carrier with Spring clip & Spanninga rear light |
| FENDER | Sunnywheel SW-FA-311-65A(MSB) |
| KICKSTAND | Massload CL-KA100K-Mount |
| FRAME LOCK | Abus 5650 LH-3 lock |
| BATTERY LOCK | Abus Key |
| DRIVE UNIT | Shimano E6100, 60Nm |
| BATTERY | Shimano E8010, 504Wh |
| DISPLAY | Shimano SC-E5000 |



eSPRESSO CC 400 SE EQ

SILK BLACK (TITAN/DARK SILVER)

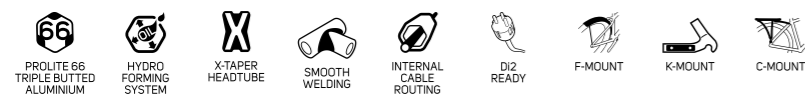
LITE 650 HFS-hydroforming Prolite 66 triple butted aluminium frame based around fast-rolling yet durable 650B wheels and with commuting and leisure riding in mind. A higher front end and a compact geometry make for a more upright and extremely comfortable riding position. Battery semi-integrated into the down tube and at an extra low position for improved handling. Comes equipped with mudguards, rear rack, side stand, lock and lights.

| URBAN | COMMUTING | TOUR | LEISURE |



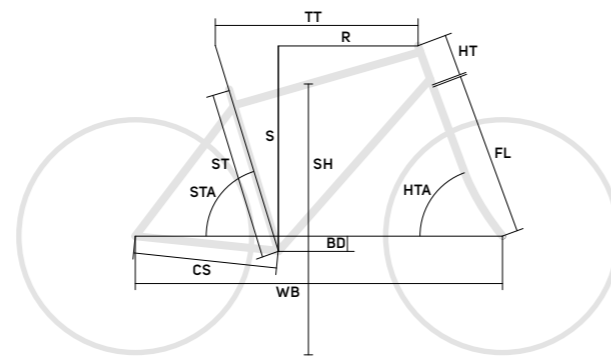
| | |
|-----------------------|----------------------------------------------------------------------------------------------------------------|
| FRAME | eSPRESSO LITE 650, material: aluminium, 27,5x2,25 max. wheelsize, 135x9mm axle standard, external, max. 504 Wh |
| FRAME SIZE | XS, S, M, L |
| FORK | Suntour NVX30 DS, Coil, 80mm suspension travel, 27,5x2,4" max wheelsize |
| BRAKES | Shimano MT-200 |
| ROTORS | Shimano RT10 |
| HEADSET | MERIDA 2346 Neck |
| HANDLEBAR | MERIDA EXPERT TK, material: aluminium, 660mm width, 15mm rise |
| HANDLEBAR STEM | MERIDA EXPERT CT, material: aluminium, 31.8mm diameter, adjustable, 90 mm-XS/S/M, 110 mm-L/XL |
| GRIP | MERIDA EXPERT TK |
| DERAILLEUR (R) | Shimano Deore M592, SGS |
| SHIFTERS | Shimano Alivio M3100 |
| SEAT POST | MERIDA EXPERT TK, 30.9mm diameter, 15mm setback, 40mm seatpost suspension travel |
| SEAT CLAMP | MERIDA EXPERT |
| SADDLE | MERIDA EXPERT TK, V-mount |
| PEDAL | VP VPE-891 |
| CHAIN | KMC e9S |

| | |
|---------------------|-----------------------------------------------------------------------------------------|
| CHAINGUARD | Sunnywheel SW-CG-173A |
| CHAINWHEEL | Shimano CRE61, 38 teeth, Shimano FC-E6100 |
| FREEWHEEL | Shimano HG200, 11-36 teeth, 9 speed |
| RIM | MERIDA COMP TK, 20mm inner width, material: aluminium |
| HUBS | Shimano TX505 |
| SPOKES | Black stainless |
| TIRES | Maxxis Crossmark II |
| LIGHTS | Herrmans H-Black MR4 E / Spanninga Commuter Glow XE integrated in MERIDA MIK HD carrier |
| CARRIER | MERIDA MIK HD Carrier with Spring clip & Spanninga rear light |
| FENDER | Sunnywheel SW-FA-311-65A(MSB) |
| KICKSTAND | Massload CL-KA100K-Mount |
| FRAME LOCK | Abus 5650 LH-3 lock |
| BATTERY LOCK | Abus Key |
| DRIVE UNIT | Shimano E6100, 60Nm |
| BATTERY | Shimano E8010, 504Wh |
| DISPLAY | Shimano SC-E5000 |



eSPRESSO CC

GEOMETRIES



eSPRESSO CC LITE II

| FS Frame Size | XS(38) | S(43) | M(48) | L(53) | XL(58) |
|-------------------------------------------------------------------|--------|-------|-------|-------|--------|
| TS Tire Size | 27.5" | 27.5" | 27.5" | 27.5" | 27.5" |
| ST seat tube [mm] | 380 | 430 | 480 | 530 | 580 |
| TT top tube [mm] | 580 | 595 | 615 | 635 | 655 |
| CS chain stay length [mm] | 470 | 470 | 470 | 470 | 470 |
| HTA head tube angle [°] | 70 | 70 | 70 | 70 | 70 |
| STA seat tube angle [°] | 73.5 | 73.5 | 73.5 | 73.5 | 73.5 |
| BD bottom bracket drop [mm] | 65 | 65 | 65 | 65 | 65 |
| HT head tube [mm] | 170 | 175 | 180 | 190 | 200 |
| FL fork length [mm] | 476 | 476 | 476 | 476 | 476 |
| R reach [mm] | 385 | 399 | 417 | 435 | 452 |
| S stack [mm] | 656 | 661 | 666 | 675 | 685 |
| WB wheel base [mm] | 1113 | 1129 | 1149 | 1170 | 1190 |
| SH stand over height [mm] <i>(measured at lowest position)</i> | 403 | 403 | 402 | 402 | 401 |

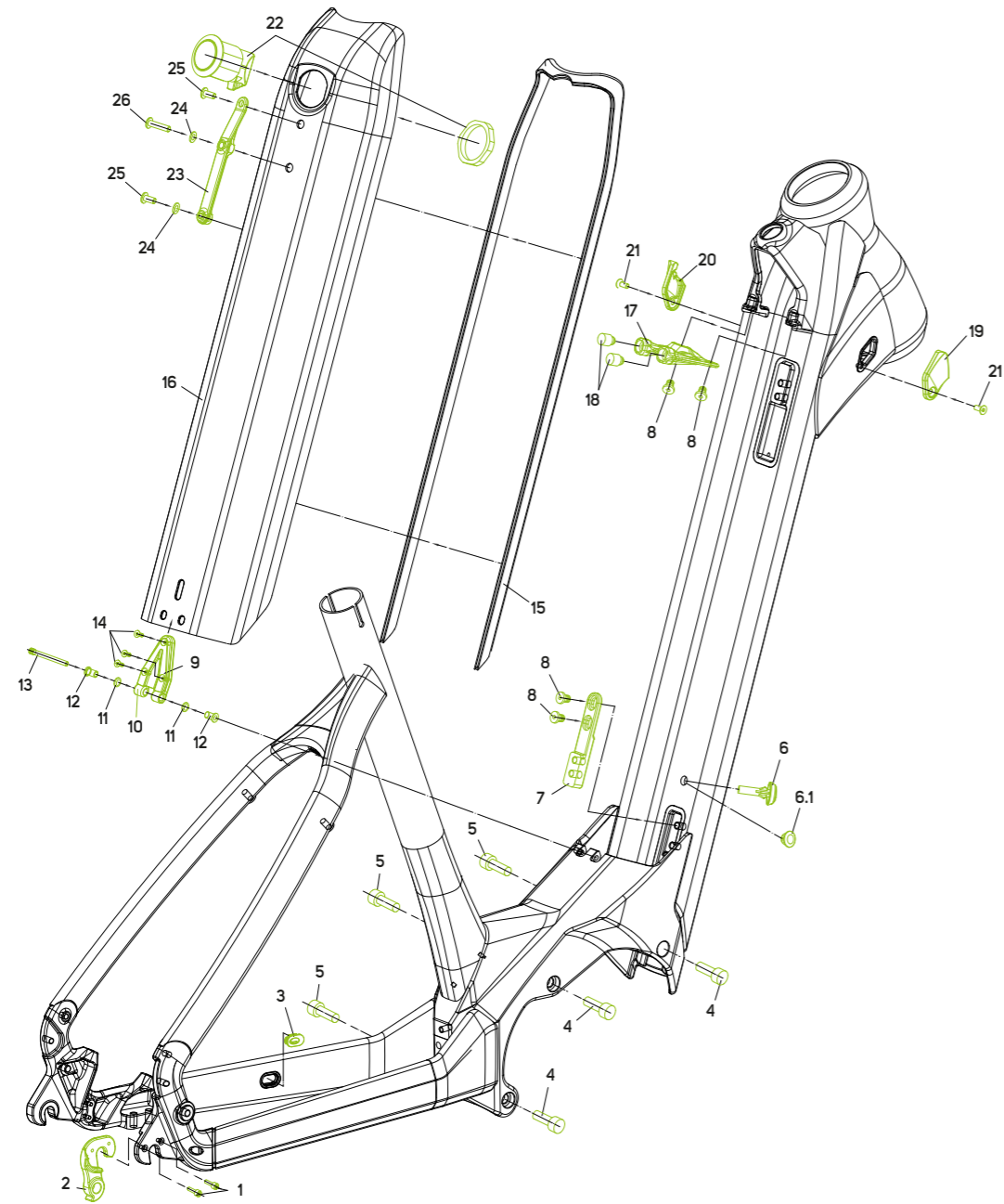
eSPRESSO LITE 650

| FS Frame Size | S(43) | M(48) | L(53) |
|-------------------------------------------------------------------|-------|-------|-------|
| TS Tire Size | 27.5" | 27.5" | 27.5" |
| ST seat tube [mm] | 430 | 480 | 530 |
| TT top tube [mm] | 588 | 605 | 623 |
| CS chain stay length [mm] | 445 | 445 | 445 |
| HTA head tube angle [°] | 68.5 | 68.5 | 68.5 |
| STA seat tube angle [°] | 73 | 73 | 73 |
| BD bottom bracket drop [mm] | 50 | 50 | 50 |
| HT head tube [mm] | 170 | 190 | 210 |
| FL fork length [mm] | 484 | 484 | 484 |
| R reach [mm] | 392 | 403 | 415 |
| S stack [mm] | 642 | 661 | 680 |
| WB wheel base [mm] | 1114 | 1133 | 1152 |
| SH stand over height [mm] <i>(measured at lowest position)</i> | 472 | 465 | 461 |

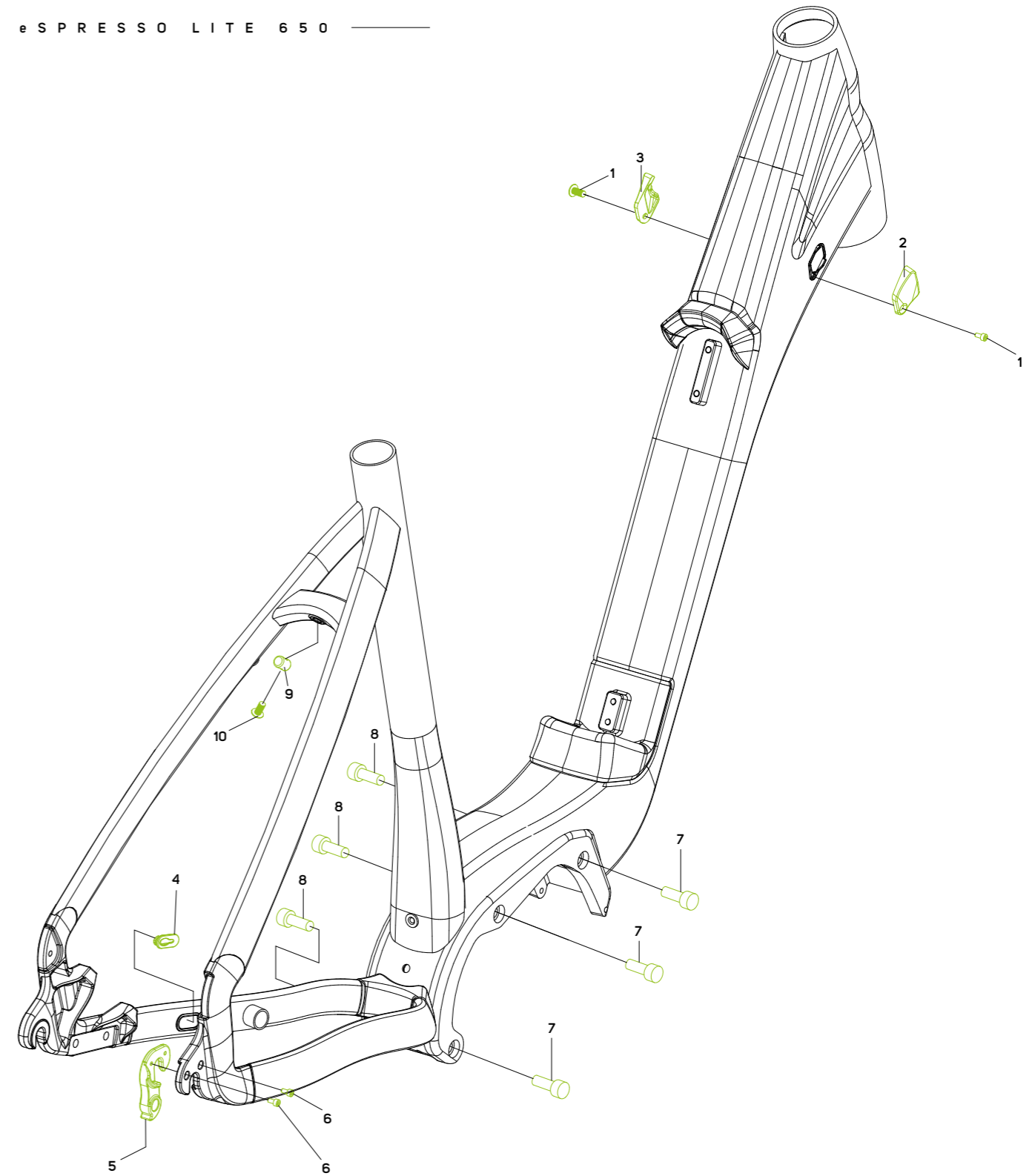
FRAME INTERFACES

| | LITE II | LITE 650 |
|-------------------------------------------|----------------------------------------------------------------|-----------------------|
| MAX. WHEELSIZE | 700x50C / 27x2.25" (with fender) | 27.5x2.25" |
| HEAD TUBE | | |
| 11/8" & 11/2" | | • |
| 11/2" & 11/2" | • | |
| HEADSET | | |
| SEMI-INTEGRATED (44-55 mm) | | • |
| SEMI-INTEGRATED (56-56 mm) | • | |
| BRAKE STANDARD | | |
| DISC BRAKE ON CHAIN STAY | • | • |
| POST MOUNT 180 mm REAR BRAKE | • | • |
| SEATPOST DIAMETER | | |
| 30.9 mm | | • |
| 34.9 mm | • | |
| REAR DROPOUT-STANDARD | | |
| QUICK RELEASE 9x135 mm | • | • |
| CABLE ROUTING | | |
| INTERNAL SHIFTING CABLES | • | • |
| INTERNAL BRAKE CABLE | • | • |
| INTERNAL SEAT POST CABLE | • | • |
| DI2-READY | • | • |
| EQUIPMENT OPTIONS | | |
| HEBIE 40 mm | | • |
| ATRAN VELO 17 mm | • | |
| CARRIER MOUNT FRAME (RACKTIME E-TREKKING) | | • |
| CARRIER MOUNT FRAME (M010) | • | |
| FENDER MOUNT FRAME | • | • |
| FENDER MOUNT FORK | • | • |
| MOTOR INTERFACE | | Shimano Type 2 |
| BATTERY | Shimano BT-E8036/8035-L or Simple TPS-004-35PA/TPP-001-35PA | Shimano BT-E8016/8010 |
| SPEEDSENSOR MOUNT | SM-DUE11 | SM-DUE10 |
| RD HANGER | DH-013F | DH-013F |





| No. | Item No. | Item | Detail information | Pieces | Torque Nm | No. | Item No. | Item | Detail information | Pieces | Torque Nm |
|-----|------------|----------------|------------------------|--------|-----------|-----|------------|---------------|-------------------------------|--------|-----------|
| 1 | 2300000772 | SCREW | | 2 | 4 | 16 | 2161002337 | BATTERY COVER | for size XS W SHIMANO BATTERY | 1 | |
| 2 | 2311005167 | DROPOUT | DH-013F (see page 608) | 1 | | 16 | 2161002348 | BATTERY COVER | for size S W SHIMANO BATTERY | 1 | |
| 3 | 2258004471 | CABLE GUIDE | | 2 | | 16 | 2161002359 | BATTERY COVER | for size M W SHIMANO BATTERY | 1 | |
| 4 | 2300015751 | SCREW | | 3 | 12 | 16 | 2161002360 | BATTERY COVER | for size L W SHIMANO BATTERY | 1 | |
| 5 | 2300015762 | SCREW | | 3 | 12 | 16 | 2161002371 | BATTERY COVER | for size XL W SHIMANO BATTERY | 1 | |
| 6 | 2143003934 | ON /OFF BUTTON | for SHIMANO BATTERY | | | 16 | 2161002285 | BATTERY COVER | for size XS W SIMPLO BATTERY | 1 | |
| 6.1 | 2143003600 | PLUG | for SIMPLO BATTERY | 1 | | 16 | 2161002296 | BATTERY COVER | for size S W SIMPLO BATTERY | 1 | |
| 7 | 2164001900 | ADAPTER | | 1 | | 16 | 2161002304 | BATTERY COVER | for size M W SIMPLO BATTERY | 1 | |
| 8 | 2298011442 | SCREW | | 4 | 8 | 16 | 2161002315 | BATTERY COVER | for size L W SIMPLO BATTERY | 1 | |
| 9 | 2030000514 | COVER HOLDER | | 1 | | 16 | 2161002326 | BATTERY COVER | for size XL W SIMPLO BATTERY | 1 | |
| 10 | 2030000525 | COVER HOLDER | | 1 | | 17 | 2136002123 | LATCH KEEPER | | 1 | |
| 11 | 2160000363 | O-RING | | 2 | | 18 | 2029000083 | BUMPER | | 2 | |
| 12 | 2221002481 | BUSHING | | 2 | | 19 | 2258005386 | CABLE GUIDE | | 1 | |
| 13 | 2300016376 | SCREW | | 1 | 6 | 20 | 2258005397 | CABLE GUIDE | | 1 | |
| 14 | 2300011810 | SCREW | | 3 | 4 | 21 | 2300011768 | SCREW | | 2 | 2,5 |
| 15 | 2158003863 | RUBBER LIP | for size XS | 1 | | 22 | LATCH | | 1 | | |
| 15 | 2158003874 | RUBBER LIP | for size S | 1 | | 23 | 2136001371 | BC-MOUNT | | 1 | |
| 15 | 2158003885 | RUBBER LIP | for size M | 1 | | 24 | 2292002578 | WASHER | | 2 | |
| 15 | 2158003896 | RUBBER LIP | for size L | 1 | | 25 | 2298011283 | SCREW | | 2 | 6 |
| 15 | 2158003904 | RUBBER LIP | for size XL | 1 | | 26 | 2298011454 | SCREW | | 1 | 6 |



| No. | Item No. | Item | Detail information | Pieces | Torque Nm |
|-----|------------|-------------|------------------------|--------|-----------|
| 1 | 2300011768 | SCREW | | 2 | |
| 2 | 2258004222 | CABLE GUIDE | | 1 | |
| 3 | 2258004211 | CABLE GUIDE | | 1 | |
| 4 | 2258004943 | CABLE GUIDE | | 1 | |
| 5 | 2311005167 | DROPOUT | DH-013F (see page 610) | 1 | |
| 6 | 2300000772 | SCREW | | 2 | 4 |
| 7 | 2300013403 | SCREW | | 3 | 16 |
| 8 | 2300013414 | SCREW | | 3 | 16 |
| 9 | 2300011199 | NUT | | 1 | 8 |
| 10 | 2300013027 | SCREW | | 1 | |



THE PERFECT TAILWIND

ROAD





eSILEX+

e D I S C O V E R T H E P A T H U N K N O W N

If you are often looking for the off-road alternative when you are out on your bike, or you simply enjoy to explore the path unknown, then the eSILEX might be the perfect assisted bike for you. The rear-hub MAHLE system with integrated battery offers a neutral support level whenever your journey requires some e-motor assistance. Similarly to the non-assisted SILEX, the eSILEX is available in the more rugged 650B or the more fast-rolling 700c set-up. Both versions come with gravel/off-road tyres for extra grip. A large number of fixing points on the frame as well as the fork, turn the eSILEX into an adventure rig without any fuss.

eSCULTURA

C L A S S I C e R O A D A T I T S B E S T

For 2021 we are introducing for the first time dedicated e-road bikes to our range, spearheaded by the e-version of our 'classic' SCULTURA. The eSCULTURA is for all the road riders out there who like an active riding style, but are looking for the extra 'helping hand' to catch up with the bunch and to make the climbs that little bit easier. The MAHLE rear hub motor system gives our eSCULTURA an almost 'non-e-bike' silhouette while delivering natural and almost drag-free paddling support. While the eSCULTURA is a dedicated road bike, its comfortable yet sporty geometry and its ample tyre clearance give it real versatility and day-to-day usability.



eSPEEDER

U R B A N A N D F I T N E S S S P E E D e L E V A T E D

Our normal SPEEDER is all about urban and fitness efficiency that combines fast-rolling tyres with a straight handlebar set-up and powerful disc brakes. Our eSPEEDER follows in exactly those footsteps, the only difference, the super neutral MAHLE rear hub motor gives that extra bit of climbing or 'catch up' speed when the legs get a bit tired. The stylish appearance combined with the more upright riding position and fast-rolling 700c wheels makes the SPEEDER the perfect urban and commuting bike for everybody who is looking for a sporty assisted city bike.

EVERYTHING
AT A
GLANCE



1

MAHLE MOTOR AND BATTERY

The rear hub MAHLE motor system X35+ offers 40 Nm of smooth and drag-free support and is powered by a 250 Wh internal battery. The system is controlled by a one-button iWOC switch which is positioned on the top tube. Different colours of the switch indicate the support as well as the battery level.

4

WHAT CABLES?

All cables are run internally, to give the bike a neat look as well as protect them from moisture and dirt. On our e-road bikes, we go one step further by letting all cables enter the frame through a specific headset cup, making the cockpit super clean and clutter-free.

5

WANT TO GO FURTHER?

Should the 250 Wh battery not be enough, or you are intending to go for an extra long outing, then you can fit a 250 Wh range extender. The range extender can be attached to one of the bottle cage fixing points and plugs straight into the system for immediate range extension.



2

CARBON FORK

Our e-road bikes come equipped with full carbon forks for precise steering and increased comfort. Depending on the model, the fork has addition fixing points, or a more streamlined shape. The full carbon tapered steerer helps to reduce weight as well as supports steering precision.

3

GET KITTED UP

Our e700C LITE frame comes with multiple fixing points, allowing for fenders, rear rack and a kick stand to be fitted. This makes all three models very adaptable in case you want to turn your sporty e-road bike into a fast commuter or touring bike. The eSPEEDER 400 EQ comes fully kitted out as standard – ready for the daily commuting duties.



6

GO WIDE

Depending on your preferences or the terrain you are going to ride on, you can fit 700c wheels with up to 40 mm tyres, even when fenders are fitted. If you prefer 650B wheels, then up to 47 mm wide off-road biased tyres are no problem.

7

1.5" HEAD TUBE

Higher system weights and increased cornering speeds demand precise steering. Our 1 1/2" oversized head tube, combined with a tapered fork, deliver exactly that, giving the rider the confidence to push into the next corner that little bit harder.

eSCULTURA 400

MATT BLACK (GLOSSY BLACK)

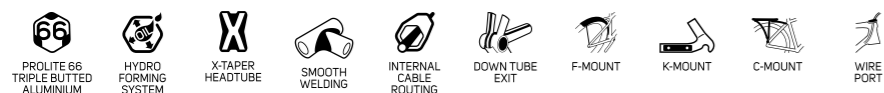
LITE HFS-hydroforming Prolite 66 triple butted aluminium frame with internal 250 Wh battery technology. Comfort orientated geometry and usable with 700c or 650B wheels. Tyre clearance of up to 40 mm with fenders (700c). Fixing points for mudguards, rear rack and kickstand.

| LEISURE | TOUR | ENDURANCE | **RACE** |



| | |
|-----------------------|----------------------------------------------------------------------------------------------------------------------------------------------------------|
| FRAME | eSCULTURA LITE, material: aluminium, 700x45C / 700x42C (with fender) / 27,5x47C max. wheelsize, 100x9/135x9mm axle standard, BSA bottom bracket standard |
| FRAME SIZE | XS, S, M, L, XL |
| FORK | MISSION CX CF3, material: carbon, 700x35C max wheelsize |
| BRAKES | Shimano 105 |
| ROTORS | Shimano RT64 / Shimano RT66 |
| HEADSET | VP-MH-P16 |
| HANDLEBAR | MERIDA Expert CW, material: aluminium, 400mm (XS/S), 420mm (M/L), 440 (XL) |
| HANDLEBAR STEM | MERIDA EXPERT IR, material: aluminium, 31.8mm diameter, 5° stem angle, 80 mm-XXS/XS, 90 mm-S, 100 mm-SM/ML, 110 mm-L/XL |
| GRIP | MERIDA ROAD EXPERT |
| DERAILLEUR (F) | Shimano 105 |
| DERAILLEUR (R) | Shimano 105, GS |
| SEAT POST | MERIDA EXPERT CC, material: carbon, 30.9mm diameter, 0mm setback |
| SEAT CLAMP | MERIDA EXPERT |
| SADDLE | MERIDA COMP SL, V-mount |
| PEDAL | VP VPE-891 |
| CHAIN | KMC e11s |

| | |
|-----------------------|-------------------------------------------------------------------------------------------------------------------|
| CHAINWHEEL | Shimano 105, 50-34 teeth, 170 mm-XS/S/SM/ML, 175 mm-L/XL |
| FREEWHEEL | Shimano 105, 11-32 teeth, 11 speed |
| BOTTOM BRACKET | Shimano BSA |
| RIM | MERIDA Expert SL, 17mm inner width, 22mm height aluminium, Tubeless ready (tubeless tape and valves not included) |
| HUBS | VP CLK170F |
| AXLES | MERIDA EXPERT SL |
| SPOKES | Black stainless |
| TIRES | Maxxis Pursuer |
| LIGHTS | CG-119PG-BLACK(1) / CG-404RG-BLK |
| DRIVE UNIT | MAHLE X35+ Hub Engine, 40Nm |
| BATTERY | MAHLE B1-C, 250Wh |



eSCULTURA 400

RACE RED (BLACK)

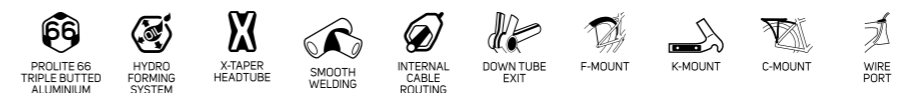
LITE HFS-hydroforming Prolite 66 triple butted aluminium frame with internal 250 Wh battery technology. Comfort orientated geometry and usable with 700c or 650B wheels. Tyre clearance of up to 40 mm with fenders (700c). Fixing points for mudguards, rear rack and kickstand.

| LEISURE | TOUR | ENDURANCE | **RACE** |



| | |
|-----------------------|----------------------------------------------------------------------------------------------------------------------------------------------------------|
| FRAME | eSCULTURA LITE, material: aluminium, 700x45C / 700x42C (with fender) / 27,5x47C max. wheelsize, 100x9/135x9mm axle standard, BSA bottom bracket standard |
| FRAME SIZE | XS, S, M, L, XL |
| FORK | MISSION CX CF3, material: carbon, 700x35C max wheelsize |
| BRAKES | Shimano 105 |
| ROTORS | Shimano RT64 / Shimano RT66 |
| HEADSET | VP-MH-P16 |
| HANDLEBAR | MERIDA Expert CW, material: aluminium, 400mm (XS/S), 420mm (M/L), 440 (XL) |
| HANDLEBAR STEM | MERIDA EXPERT IR, material: aluminium, 31.8mm diameter, 5° stem angle, 80 mm-XXS/XS, 90 mm-S, 100 mm-SM/ML, 110 mm-L/XL |
| GRIP | MERIDA ROAD EXPERT |
| DERAILLEUR (F) | Shimano 105 |
| DERAILLEUR (R) | Shimano 105, GS |
| SEAT POST | MERIDA EXPERT CC, material: carbon, 30.9mm diameter, 0mm setback |
| SEAT CLAMP | MERIDA EXPERT |
| SADDLE | MERIDA COMP SL, V-mount |
| PEDAL | VP VPE-891 |
| CHAIN | KMC e11s |

| | |
|-----------------------|-------------------------------------------------------------------------------------------------------------------|
| CHAINWHEEL | Shimano 105, 50-34 teeth, 170 mm-XS/S/SM/ML, 175 mm-L/XL |
| FREEWHEEL | Shimano 105, 11-32 teeth, 11 speed |
| BOTTOM BRACKET | Shimano BSA |
| RIM | MERIDA Expert SL, 17mm inner width, 22mm height aluminium, Tubeless ready (tubeless tape and valves not included) |
| HUBS | VP CLK170F |
| AXLES | MERIDA EXPERT SL |
| SPOKES | Black stainless |
| TIRES | Maxxis Pursuer |
| LIGHTS | CG-119PG-BLACK(1) / CG-404RG-BLK |
| DRIVE UNIT | MAHLE X35+ Hub Engine, 40Nm |
| BATTERY | MAHLE B1-C, 250Wh |



eSPEEDER 400 EQ

GLOSSY BLACK (MATT GREY)

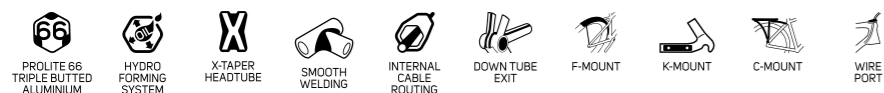
LITE HFS-hydroforming Prolite 66 triple butted aluminium frame with internal 250 Wh battery technology. Comfort orientated geometry and usable with 700c or 650B wheels. Tyre clearance of up to 40 mm with fenders (700c). Fixing points for mudguards, rear rack and kickstand.

COMMUTING | FITNESS | GRAVEL | OFF ROAD



| | |
|-----------------------|---------------------------------------------------------------------------------------------------------------------------------------------------------|
| FRAME | eSPEEDER LITE, material: aluminium, 700x45C / 700x42C (with fender) / 27,5x47C max. wheelsize, 100x9/135x9mm axle standard, BSA bottom bracket standard |
| FRAME SIZE | XS, S, M, L, XL |
| FORK | MISSION CX CF3, material: carbon, 700x35C max wheelsize |
| BRAKES | Shimano MT-200 / UR300 |
| ROTORS | Shimano RT10 / Shimano RT26 |
| HEADSET | VP-MH-P16 |
| HANDLEBAR | MERIDA EXPERT CC, material: aluminium, 620mm width, Flat |
| HANDLEBAR STEM | MERIDA EXPERT IR, material: aluminium, 31.8mm diameter, 5° stem angle, 80 mm-XS, 90 mm-S, 100 mm-SM/ML, 110 mm-L/XL |
| GRIP | MERIDA COMP EC |
| DERAILLEUR (R) | Shimano Deore M5120, SGS |
| SHIFTERS | Shimano Deore M4100 |
| SEAT POST | MERIDA EXPERT CC, material: carbon, 30.9mm diameter, 0mm setback |
| SEAT CLAMP | MERIDA EXPERT |
| SADDLE | MERIDA COMP SL, V-mount |
| PEDAL | VP VPE-891 |
| CHAIN | KMC e10s |

| | |
|-----------------------|------------------------------------------------------------------------------------------------|
| CHAINWHEEL | MERIDA COMP TK, 42 teeth, 165 mm-XS, 170 mm-S/M/L/XL |
| FREEWHEEL | Shimano CS-M4100, 11-46 teeth, 10 speed |
| BOTTOM BRACKET | EB2401 |
| RIM | MERIDA COMP SL, 17mm inner width, 22mm height, material: aluminium |
| HUBS | VP CLK170F |
| AXLES | MERIDA EXPERT SL |
| SPOKES | Black stainless |
| TIRES | Continental |
| LIGHTS | LEZYNE E-BIKE POWER STVZO E115, reverse MERIDA Custom Mount / LEZYNE E-BIKE SUPER BRIGHT STVZO |
| CARRIER | MASSLOAD CL-645 |
| FENDER | Sunnywheel SW-FA-311-50FARE1 |
| KICKSTAND | Atranvelo 1219-PC-7 |
| DRIVE UNIT | MAHLE X35+ Hub Engine, 40Nm |
| BATTERY | MAHLE B1-C, 250Wh |



eSPEEDER 400 EQ

SILK GREEN (LIGHT GREEN)

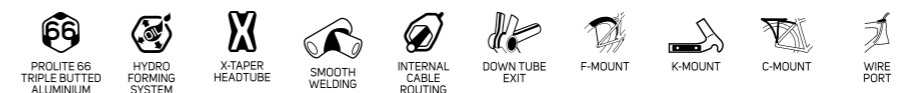
LITE HFS-hydroforming Prolite 66 triple butted aluminium frame with internal 250 Wh battery technology. Comfort orientated geometry and usable with 700c or 650B wheels. Tyre clearance of up to 40 mm with fenders (700c). Fixing points for mudguards, rear rack and kickstand.

COMMUTING | FITNESS | GRAVEL | OFF ROAD



| | |
|-----------------------|---------------------------------------------------------------------------------------------------------------------------------------------------------|
| FRAME | eSPEEDER LITE, material: aluminium, 700x45C / 700x42C (with fender) / 27,5x47C max. wheelsize, 100x9/135x9mm axle standard, BSA bottom bracket standard |
| FRAME SIZE | XS, S, M, L, XL |
| FORK | MISSION CX CF3, material: carbon, 700x35C max wheelsize |
| BRAKES | Shimano MT-200 / UR300 |
| ROTORS | Shimano RT10 / Shimano RT26 |
| HEADSET | VP-MH-P16 |
| HANDLEBAR | MERIDA EXPERT CC, material: aluminium, 620mm width, Flat |
| HANDLEBAR STEM | MERIDA EXPERT IR, material: aluminium, 31.8mm diameter, 5° stem angle, 80 mm-XS, 90 mm-S, 100 mm-SM/ML, 110 mm-L/XL |
| GRIP | MERIDA COMP EC |
| DERAILLEUR (R) | Shimano Deore M5120, SGS |
| SHIFTERS | Shimano Deore M4100 |
| SEAT POST | MERIDA EXPERT CC, material: carbon, 30.9mm diameter, 0mm setback |
| SEAT CLAMP | MERIDA EXPERT |
| SADDLE | MERIDA COMP SL, V-mount |
| PEDAL | VP VPE-891 |
| CHAIN | KMC e10s |

| | |
|-----------------------|------------------------------------------------------------------------------------------------|
| CHAINWHEEL | MERIDA COMP TK, 42 teeth, 165 mm-XS, 170 mm-S/M/L/XL |
| FREEWHEEL | Shimano CS-M4100, 11-46 teeth, 10 speed |
| BOTTOM BRACKET | EB2401 |
| RIM | MERIDA COMP SL, 17mm inner width, 22mm height, material: aluminium |
| HUBS | VP CLK170F |
| AXLES | MERIDA EXPERT SL |
| SPOKES | Black stainless |
| TIRES | Continental |
| LIGHTS | LEZYNE E-BIKE POWER STVZO E115, reverse MERIDA Custom Mount / LEZYNE E-BIKE SUPER BRIGHT STVZO |
| CARRIER | MASSLOAD CL-645 |
| FENDER | Sunnywheel SW-FA-311-50FARE1 |
| KICKSTAND | Atranvelo 1219-PC-7 |
| DRIVE UNIT | MAHLE X35+ Hub Engine, 40Nm |
| BATTERY | MAHLE B1-C, 250Wh |



eSPEEDER 200

GLOSSY BLACK (MATT GREY)

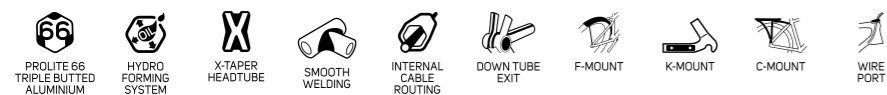
LITE HFS-hydroforming Prolite 66 triple butted aluminium frame with internal 250 Wh battery technology. Comfort orientated geometry and usable with 700c or 650B wheels. Tyre clearance of up to 40 mm with fenders (700c). Fixing points for mudguards, rear rack and kickstand.

COMMUTING | FITNESS | GRAVEL | OFF ROAD



| | |
|-----------------------|---------------------------------------------------------------------------------------------------------------------------------------------------------|
| FRAME | eSPEEDER LITE, material: aluminium, 700x45C / 700x42C (with fender) / 27,5x47C max. wheelsize, 100x9/135x9mm axle standard, BSA bottom bracket standard |
| FRAME SIZE | XS, S, M, L, XL |
| FORK | MISSION CX CF3, material: carbon, 700x35C max wheelsize |
| BRAKES | Shimano MT-200 / UR300 |
| ROTORS | Shimano RT10 / Shimano RT26 |
| HEADSET | VP-MH-P16 |
| HANDLEBAR | MERIDA EXPERT CC, material: aluminium, 620mm width, Flat |
| HANDLEBAR STEM | MERIDA EXPERT IR, material: aluminium, 31.8mm diameter, 5° stem angle, 80 mm-XS, 90 mm-S, 100 mm-SM/ML, 110 mm-L/XL |
| GRIP | MERIDA COMP EC |
| DERAILLEUR (R) | Shimano Alivio, SGS |
| SHIFTERS | Shimano Alivio M3100 |
| SEAT POST | MERIDA EXPERT, material: aluminium, 30.9mm diameter, 0mm setback |
| SEAT CLAMP | MERIDA EXPERT |
| SADDLE | MERIDA COMP SL, V-mount |
| PEDAL | VP VPE-891 |
| CHAIN | KMC e9S |

| | |
|-------------------|--------------------------------------------------------------------|
| CHAINWHEEL | MERIDA COMP TK, 42 teeth, 165 mm-XS, 170 mm-S/M/L/XL |
| FREEWHEEL | Shimano CS-HG201, 11-36 teeth, 9 speed |
| RIM | MERIDA COMP SL, 17mm inner width, 22mm height, material: aluminium |
| HUBS | VP CLK170F |
| AXLES | MERIDA EXPERT SL |
| SPOKES | Black stainless |
| TIRES | Continental |
| LIGHTS | CG-119PG-BLACK(1) / CG-404RG-BLK |
| DRIVE UNIT | MAHLE X35+ Hub Engine, 40Nm |
| BATTERY | MAHLE B1-C, 250Wh |



eSPEEDER 200

STEEL BLUE (SILVER/BLACK)

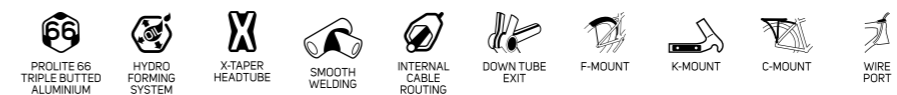
LITE HFS-hydroforming Prolite 66 triple butted aluminium frame with internal 250 Wh battery technology. Comfort orientated geometry and usable with 700c or 650B wheels. Tyre clearance of up to 40 mm with fenders (700c). Fixing points for mudguards, rear rack and kickstand.

COMMUTING | FITNESS | GRAVEL | OFF ROAD



| | |
|-----------------------|---------------------------------------------------------------------------------------------------------------------------------------------------------|
| FRAME | eSPEEDER LITE, material: aluminium, 700x45C / 700x42C (with fender) / 27,5x47C max. wheelsize, 100x9/135x9mm axle standard, BSA bottom bracket standard |
| FRAME SIZE | XS, S, M, L, XL |
| FORK | MISSION CX CF3, material: carbon, 700x35C max wheelsize |
| BRAKES | Shimano MT-200 / UR300 |
| ROTORS | Shimano RT10 / Shimano RT26 |
| HEADSET | VP-MH-P16 |
| HANDLEBAR | MERIDA EXPERT CC, material: aluminium, 620mm width, Flat |
| HANDLEBAR STEM | MERIDA EXPERT IR, material: aluminium, 31.8mm diameter, 5° stem angle, 80 mm-XS, 90 mm-S, 100 mm-SM/ML, 110 mm-L/XL |
| GRIP | MERIDA COMP EC |
| DERAILLEUR (R) | Shimano Alivio, SGS |
| SHIFTERS | Shimano Alivio M3100 |
| SEAT POST | MERIDA EXPERT, material: aluminium, 30.9mm diameter, 0mm setback |
| SEAT CLAMP | MERIDA EXPERT |
| SADDLE | MERIDA COMP SL, V-mount |
| PEDAL | VP VPE-891 |
| CHAIN | KMC e9S |

| | |
|-------------------|--------------------------------------------------------------------|
| CHAINWHEEL | MERIDA COMP TK, 42 teeth, 165 mm-XS, 170 mm-S/M/L/XL |
| FREEWHEEL | Shimano CS-HG201, 11-36 teeth, 9 speed |
| RIM | MERIDA COMP SL, 17mm inner width, 22mm height, material: aluminium |
| HUBS | VP CLK170F |
| AXLES | MERIDA EXPERT SL |
| SPOKES | Black stainless |
| TIRES | Continental |
| LIGHTS | CG-119PG-BLACK(1) / CG-404RG-BLK |
| DRIVE UNIT | MAHLE X35+ Hub Engine, 40Nm |
| BATTERY | MAHLE B1-C, 250Wh |



eSILEX+ 600

ANTHRACITE (BLACK)

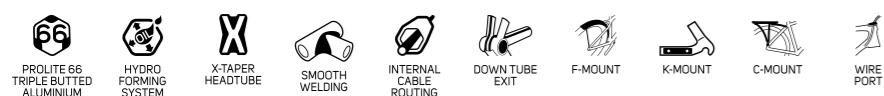
LITE HFS-hydroforming Prolite 66 triple butted aluminium frame with internal 250 Wh battery technology. Comfort orientated geometry and usable with 700c or 650B wheels. Tyre clearance of up to 40 mm with fenders (700c). Fixing points for mudguards, rear rack and kickstand.

| URBAN | COMMUTING | LEISURE | FITNESS |



| | |
|-----------------------|--------------------------------------------------------------------------------------------------------------------------------------------------------|
| FRAME | eSILEX+ LITE, material: aluminium, 700x45C / 700x42C (with fender) / 27,5x47C max. wheelsize, 100x9/135x9mm axle standard, BSA bottom bracket standard |
| FRAME SIZE | XS, S, M, L, XL |
| FORK | MERIDA SILEX CF2, Tapered, material: carbon, 700x42C max/ 700x35C (with fender) max 50mm for 650B max wheelsize |
| BRAKES | Shimano GRX600 |
| ROTORS | Shimano RT64 / Shimano RT66 |
| HEADSET | VP-MH-P16 |
| HANDLEBAR | MERIDA EXPERT GR, material: aluminium, 400mm (XS/S), 420mm (M), 440mm (L/XL) |
| HANDLEBAR STEM | MERIDA EXPERT IR, material: aluminium, 31.8mm diameter, 5° stem angle, 80 mm all sizes |
| GRIP | MERIDA ROAD EXPERT |
| DERAILLEUR (R) | Shimano GRX812 |
| SEAT POST | MERIDA EXPERT CC, material: carbon, 30.9mm diameter, 0mm setback |
| SEAT CLAMP | MERIDA EXPERT |
| SADDLE | MERIDA COMP CC, V-mount |
| PEDAL | VP VPE-891 |
| CHAIN | KMC e11s |
| CHAINWHEEL | Shimano GRX600, 40 teeth, 170 mm-XS/S/SM/ML, 175 mm-L/XL |

| | |
|-----------------------|------------------------------------------------------------------------------------------------------------------------------|
| FREEWHEEL | Shimano M5100, 11-42 teeth, 11 speed |
| BOTTOM BRACKET | Shimano BSA |
| RIM | MERIDA EXPERT CX, 19mm inner width, 24mm height, material: aluminium, Tubeless ready (tubeless tape and valves not included) |
| HUBS | VP CLK170F |
| AXLES | MERIDA EXPERT SL |
| SPOKES | Black stainless |
| TIRES | Continental |
| LIGHTS | CG-119PG-BLACK(1) / CG-404RG-BLK |
| DRIVE UNIT | MAHLE X35+ Hub Engine, 40Nm |
| BATTERY | MAHLE B1-C, 250Wh |



eSILEX+ 600

ORANGE (BLACK)

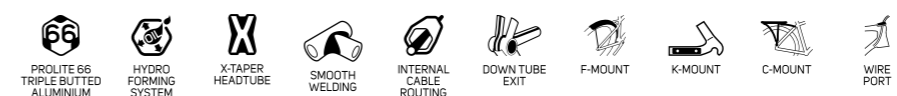
LITE HFS-hydroforming Prolite 66 triple butted aluminium frame with internal 250 Wh battery technology. Comfort orientated geometry and usable with 700c or 650B wheels. Tyre clearance of up to 40 mm with fenders (700c). Fixing points for mudguards, rear rack and kickstand.

| URBAN | COMMUTING | LEISURE | FITNESS |



| | |
|-----------------------|--------------------------------------------------------------------------------------------------------------------------------------------------------|
| FRAME | eSILEX+ LITE, material: aluminium, 700x45C / 700x42C (with fender) / 27,5x47C max. wheelsize, 100x9/135x9mm axle standard, BSA bottom bracket standard |
| FRAME SIZE | XS, S, M, L, XL |
| FORK | MERIDA SILEX CF2, Tapered, material: carbon, 700x42C max/ 700x35C (with fender) max 50mm for 650B max wheelsize |
| BRAKES | Shimano GRX600 |
| ROTORS | Shimano RT64 / Shimano RT66 |
| HEADSET | VP-MH-P16 |
| HANDLEBAR | MERIDA EXPERT GR, material: aluminium, 400mm (XS/S), 420mm (M), 440mm (L/XL) |
| HANDLEBAR STEM | MERIDA EXPERT IR, material: aluminium, 31.8mm diameter, 5° stem angle, 80 mm all sizes |
| GRIP | MERIDA ROAD EXPERT |
| DERAILLEUR (R) | Shimano GRX812 |
| SEAT POST | MERIDA EXPERT CC, material: carbon, 30.9mm diameter, 0mm setback |
| SEAT CLAMP | MERIDA EXPERT |
| SADDLE | MERIDA COMP CC, V-mount |
| PEDAL | VP VPE-891 |
| CHAIN | KMC e11s |
| CHAINWHEEL | Shimano GRX600, 40 teeth, 170 mm-XS/S/SM/ML, 175 mm-L/XL |

| | |
|-----------------------|------------------------------------------------------------------------------------------------------------------------------|
| FREEWHEEL | Shimano M5100, 11-42 teeth, 11 speed |
| BOTTOM BRACKET | Shimano BSA |
| RIM | MERIDA EXPERT CX, 19mm inner width, 24mm height, material: aluminium, Tubeless ready (tubeless tape and valves not included) |
| HUBS | VP CLK170F |
| AXLES | MERIDA EXPERT SL |
| SPOKES | Black stainless |
| TIRES | Continental |
| LIGHTS | CG-119PG-BLACK(1) / CG-404RG-BLK |
| DRIVE UNIT | MAHLE X35+ Hub Engine, 40Nm |
| BATTERY | MAHLE B1-C, 250Wh |



eSILEX 400

ANTHRACITE (BLACK)

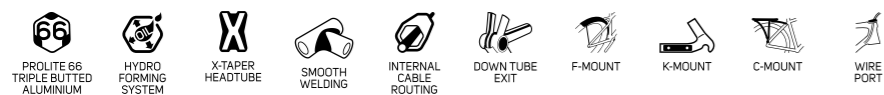
LITE HFS-hydroforming ProLite 66 triple butted aluminium frame with internal 250 Wh battery technology. Comfort orientated geometry and usable with 700c or 650B wheels. Tyre clearance of up to 40 mm with fenders (700c). Fixing points for mudguards, rear rack and kickstand.

| URBAN | COMMUTING | LEISURE | FITNESS |



| | |
|-----------------------|-------------------------------------------------------------------------------------------------------------------------------------------------------|
| FRAME | eSILEX LITE, material: aluminium, 700x45C / 700x42C (with fender) / 27,5x47C max. wheelsize, 100x9/135x9mm axle standard, BSA bottom bracket standard |
| FRAME SIZE | XS, S, M, L, XL |
| FORK | MERIDA SILEX CF2, Tapered, material: carbon, 700x42C max/ 700x35C (with fender) max 50mm for 650B max wheelsize |
| BRAKES | Shimano GRX400 |
| ROTORS | Shimano RT10 / Shimano RT26 |
| HEADSET | VP-MH-P16 |
| HANDLEBAR | MERIDA EXPERT GR, material: aluminium, 400mm (XS/S), 420mm (M), 440mm (L/XL) |
| HANDLEBAR STEM | MERIDA EXPERT IR, material: aluminium, 31.8mm diameter, 5° stem angle, 80 mm all sizes |
| GRIP | MERIDA ROAD EXPERT |
| DERAILLEUR (F) | Shimano GRX400 |
| DERAILLEUR (R) | Shimano GRX400 |
| SEAT POST | MERIDA EXPERT, material: aluminium, 30.9mm diameter, 0mm setback |
| SEAT CLAMP | MERIDA EXPERT |
| SADDLE | MERIDA COMP CC, V-mount |
| PEDAL | VP VPE-891 |
| CHAIN | KMC e10s |

| | |
|-----------------------|--------------------------------------------------------------------|
| CHAINWHEEL | Shimano GRX600, 46-30 teeth, 170 mm-XS/S, 172,5 mm-M, 175 mm-L/XL |
| FREEWHEEL | Shimano CS-HG50, 11-36 teeth, 10 speed |
| BOTTOM BRACKET | Shimano BSA |
| RIM | MERIDA COMP SL, 17mm inner width, 22mm height, material: aluminium |
| HUBS | VP CLK170F |
| AXLES | MERIDA EXPERT SL |
| SPOKES | Black stainless |
| TIRES | Maxxis Rambler |
| LIGHTS | CG-119PG-BLACK(1) / CG-404RG-BLK |
| DRIVE UNIT | MAHLE X35+ Hub Engine, 40Nm |
| BATTERY | MAHLE B1-C, 250Wh |



eSILEX 400

TEAL (LIGHT TEAL/BLACK)

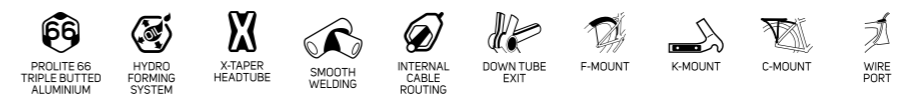
LITE HFS-hydroforming ProLite 66 triple butted aluminium frame with internal 250 Wh battery technology. Comfort orientated geometry and usable with 700c or 650B wheels. Tyre clearance of up to 40 mm with fenders (700c). Fixing points for mudguards, rear rack and kickstand.

| URBAN | COMMUTING | LEISURE | FITNESS |



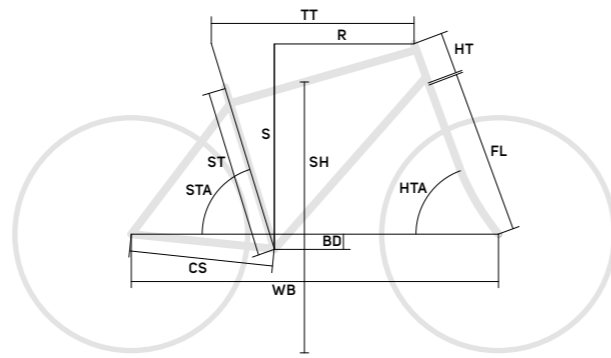
| | |
|-----------------------|-------------------------------------------------------------------------------------------------------------------------------------------------------|
| FRAME | eSILEX LITE, material: aluminium, 700x45C / 700x42C (with fender) / 27,5x47C max. wheelsize, 100x9/135x9mm axle standard, BSA bottom bracket standard |
| FRAME SIZE | XS, S, M, L, XL |
| FORK | MERIDA SILEX CF2, Tapered, material: carbon, 700x42C max/ 700x35C (with fender) max 50mm for 650B max wheelsize |
| BRAKES | Shimano GRX400 |
| ROTORS | Shimano RT10 / Shimano RT26 |
| HEADSET | VP-MH-P16 |
| HANDLEBAR | MERIDA EXPERT GR, material: aluminium, 400mm (XS/S), 420mm (M), 440mm (L/XL) |
| HANDLEBAR STEM | MERIDA EXPERT IR, material: aluminium, 31.8mm diameter, 5° stem angle, 80 mm all sizes |
| GRIP | MERIDA ROAD EXPERT |
| DERAILLEUR (F) | Shimano GRX400 |
| DERAILLEUR (R) | Shimano GRX400 |
| SEAT POST | MERIDA EXPERT, material: aluminium, 30.9mm diameter, 0mm setback |
| SEAT CLAMP | MERIDA EXPERT |
| SADDLE | MERIDA COMP CC, V-mount |
| PEDAL | VP VPE-891 |
| CHAIN | KMC e10s |

| | |
|-----------------------|--------------------------------------------------------------------|
| CHAINWHEEL | Shimano GRX600, 46-30 teeth, 170 mm-XS/S, 172,5 mm-M, 175 mm-L/XL |
| FREEWHEEL | Shimano CS-HG50, 11-36 teeth, 10 speed |
| BOTTOM BRACKET | Shimano BSA |
| RIM | MERIDA COMP SL, 17mm inner width, 22mm height, material: aluminium |
| HUBS | VP CLK170F |
| AXLES | MERIDA EXPERT SL |
| SPOKES | Black stainless |
| TIRES | Maxxis Rambler |
| LIGHTS | CG-119PG-BLACK(1) / CG-404RG-BLK |
| DRIVE UNIT | MAHLE X35+ Hub Engine, 40Nm |
| BATTERY | MAHLE B1-C, 250Wh |



eROAD SERIES

GEOMETRIES



eSCULTURA LITE

| FS Frame Size | XS (47) | S (49) | M (51) | L (53) | XL (56) |
|-----------------------------|---------|--------|--------|--------|---------|
| TS Tire Size | 28" | 28" | 28" | 28" | 28" |
| ST seat tube [mm] | 470 | 490 | 510 | 530 | 560 |
| TT top tube [mm] | 525 | 540 | 555 | 570 | 585 |
| CS chain stay length [mm] | 431 | 431 | 431 | 431 | 431 |
| HTA head tube angle [°] | 69.5 | 70 | 70,5 | 71 | 71,5 |
| STA seat tube angle [°] | 75 | 75 | 75 | 75 | 75 |
| BD bottom bracket drop [mm] | 70 | 70 | 70 | 70 | 70 |
| HT head tube [mm] | 145 | 160 | 175 | 190 | 205 |
| FL fork length [mm] | 400 | 400 | 400 | 400 | 400 |
| R reach [mm] | 374 | 384 | 395 | 406 | 416 |
| S stack [mm] | 565 | 581 | 597 | 613 | 629 |
| WB wheel base [mm] | 1032 | 1044 | 1055 | 1066 | 1076 |
| SH stand over height [mm] | 748 | 767 | 785 | 804 | 830 |

eSILEX+ LITE

| FS Frame Size | XS (47) | S (49) | M (51) | L (53) | XL (56) |
|-----------------------------|---------|--------|--------|--------|---------|
| TS Tire Size | 27.5" | 27.5" | 27.5" | 27.5" | 27.5" |
| ST seat tube [mm] | 470 | 490 | 510 | 530 | 560 |
| TT top tube [mm] | 525 | 540 | 555 | 570 | 585 |
| CS chain stay length [mm] | 431 | 431 | 431 | 431 | 431 |
| HTA head tube angle [°] | 69.5 | 70 | 70,5 | 71 | 71,5 |
| STA seat tube angle [°] | 75 | 75 | 75 | 75 | 75 |
| BD bottom bracket drop [mm] | 70 | 70 | 70 | 70 | 70 |
| HT head tube [mm] | 145 | 160 | 175 | 190 | 205 |
| FL fork length [mm] | 400 | 400 | 400 | 400 | 400 |
| R reach [mm] | 374 | 384 | 395 | 406 | 416 |
| S stack [mm] | 565 | 581 | 597 | 613 | 629 |
| WB wheel base [mm] | 1032 | 1044 | 1055 | 1066 | 1076 |
| SH stand over height [mm] | 748 | 767 | 785 | 804 | 830 |

eSPEEDER LITE

| FS Frame Size | XS (47) | S (49) | M (51) | L (53) | XL (56) |
|-----------------------------|---------|--------|--------|--------|---------|
| TS Tire Size | 28" | 28" | 28" | 28" | 28" |
| ST seat tube [mm] | 470 | 490 | 510 | 530 | 560 |
| TT top tube [mm] | 525 | 540 | 555 | 570 | 585 |
| CS chain stay length [mm] | 431 | 431 | 431 | 431 | 431 |
| HTA head tube angle [°] | 69.5 | 70 | 70,5 | 71 | 71,5 |
| STA seat tube angle [°] | 75 | 75 | 75 | 75 | 75 |
| BD bottom bracket drop [mm] | 70 | 70 | 70 | 70 | 70 |
| HT head tube [mm] | 145 | 160 | 175 | 190 | 205 |
| FL fork length [mm] | 400 | 400 | 400 | 400 | 400 |
| R reach [mm] | 374 | 384 | 395 | 406 | 416 |
| S stack [mm] | 565 | 581 | 597 | 613 | 629 |
| WB wheel base [mm] | 1032 | 1044 | 1055 | 1066 | 1076 |
| SH stand over height [mm] | 748 | 767 | 785 | 804 | 830 |

eSILEX LITE

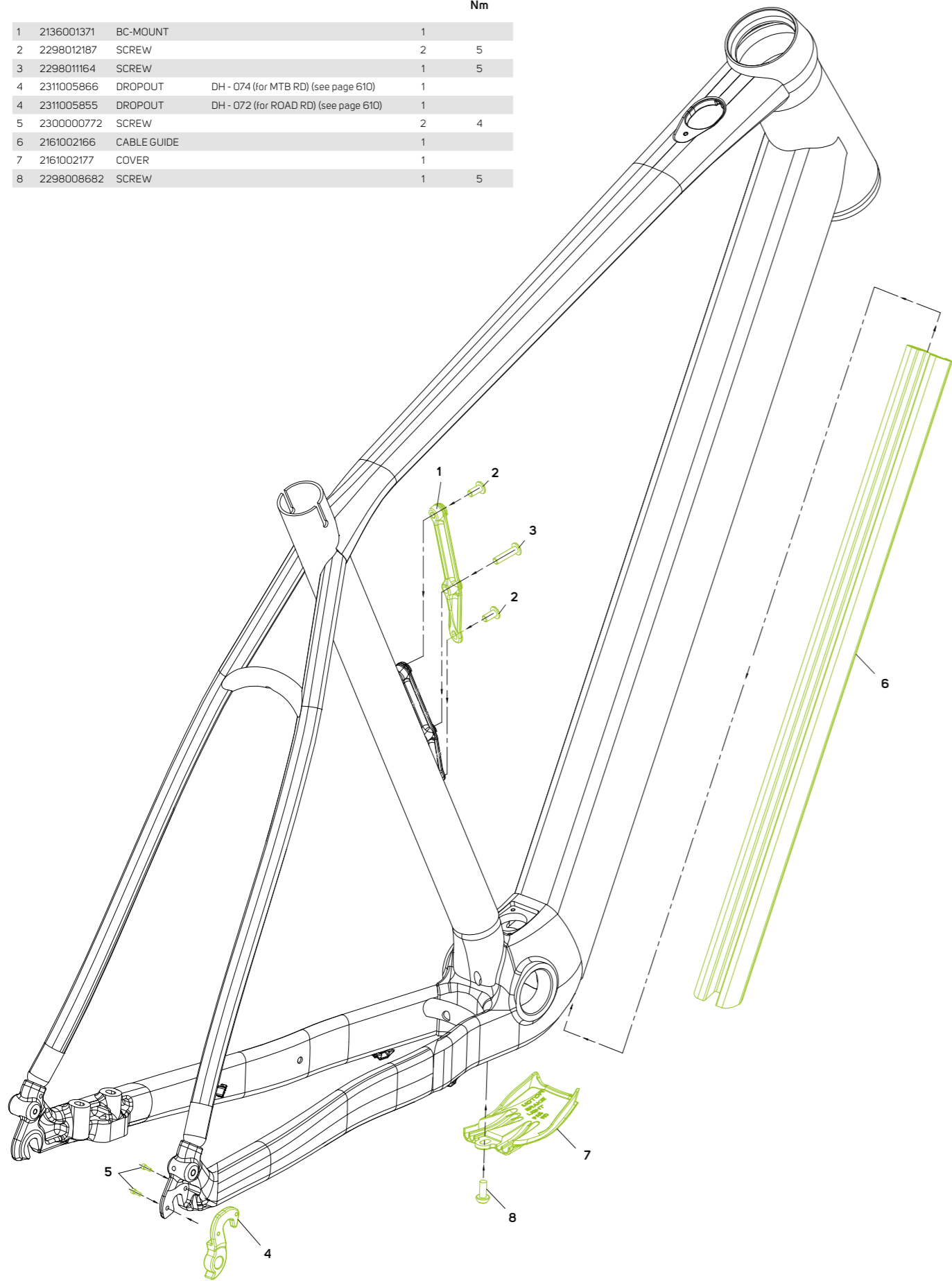
| FS Frame Size | XS (47) | S (49) | M (51) | L (53) | XL (56) |
|-----------------------------|---------|--------|--------|--------|---------|
| TS Tire Size | 28" | 28" | 28" | 28" | 28" |
| ST seat tube [mm] | 470 | 490 | 510 | 530 | 560 |
| TT top tube [mm] | 525 | 540 | 555 | 570 | 585 |
| CS chain stay length [mm] | 431 | 431 | 431 | 431 | 431 |
| HTA head tube angle [°] | 69.5 | 70 | 70,5 | 71 | 71,5 |
| STA seat tube angle [°] | 75 | 75 | 75 | 75 | 75 |
| BD bottom bracket drop [mm] | 70 | 70 | 70 | 70 | 70 |
| HT head tube [mm] | 145 | 160 | 175 | 190 | 205 |
| FL fork length [mm] | 400 | 400 | 400 | 400 | 400 |
| R reach [mm] | 374 | 384 | 395 | 406 | 416 |
| S stack [mm] | 565 | 581 | 597 | 613 | 629 |
| WB wheel base [mm] | 1032 | 1044 | 1055 | 1066 | 1076 |
| SH stand over height [mm] | 748 | 767 | 785 | 804 | 830 |

FRAME INTERFACES

| | eSCULTURA LITE | eSPEEDER LITE | eSILEX+ LITE | eSILEX LITE |
|----------------------------------|-------------------------------|-------------------------------|-------------------------------|-------------------------------|
| MAX. WHEELSIZE | 700x42C + Fender 584x47C | 700x42C + Fender 584x47C | 700x42C + Fender 584x47C | 700x42C + Fender 584x47C |
| HEAD TUBE | | | | |
| 11/2" & 1 1/2" | • | • | • | • |
| HEADSET | | | | |
| INTEGRATED | • | • | • | • |
| BRAKE STANDARD | | | | |
| DISC BRAKE ON CHAIN STAY | • | • | • | • |
| FLAT MOUNT 160/180 mm REAR BRAKE | • | • | • | • |
| SEATPOST DIAMETER | | | | |
| 30.9 mm | • | • | • | • |
| REAR DROPOUT-STANDARD | | | | |
| MAHLE STANDARD 135 mm | • | • | • | • |
| CABLE ROUTING | | | | |
| INTERNAL SHIFTING CABLES | • | • | • | • |
| INTERNAL BRAKE CABLE | • | • | • | • |
| INTERNAL SEAT POST CABLE | • | • | • | • |
| DI2-READY | | | | |
| EQUIPMENT OPTIONS | | | | |
| ATRAN VELO 17 mm | • | • | • | • |
| CARRIER MOUNT FRAME | • | • | • | • |
| FENDER MOUNT FRAME | • | • | • | • |
| FENDER MOUNT FORK | • | • | • | • |
| MOTOR INTERFACE | MAHLE X35+ | MAHLE X35+ | MAHLE X35+ | MAHLE X35+ |
| BATTERY | Full integrated MAHLE Battery | Full integrated MAHLE Battery | Full integrated MAHLE Battery | Full integrated MAHLE Battery |
| SPEEDSENSOR MOUNT | MAHLE PAS Sensor | MAHLE PAS Sensor | MAHLE PAS Sensor | MAHLE PAS Sensor |
| RD HANGER | DH-072 | DH-074 | DH-072 | DH-072 |



| No. | Item No. | Item | Detail information | Pieces | Torque Nm |
|-----|------------|-------------|---------------------------------------|--------|-----------|
| 1 | 2136001371 | BC-MOUNT | | 1 | |
| 2 | 2298012187 | SCREW | | 2 | 5 |
| 3 | 2298011164 | SCREW | | 1 | 5 |
| 4 | 2311005866 | DROPOUT | DH - 074 (for MTB RD) (see page 610) | 1 | |
| 4 | 2311005855 | DROPOUT | DH - 072 (for ROAD RD) (see page 610) | 1 | |
| 5 | 2300000772 | SCREW | | 2 | 4 |
| 6 | 2161002166 | CABLE GUIDE | | 1 | |
| 7 | 2161002177 | COVER | | 1 | |
| 8 | 2298008682 | SCREW | | 1 | 5 |





THE ART OF DIRT

MOUNTAINBIKES

Mountain biking – one of the most varied cycling disciplines and probably the most demanding when it comes to equipment. Our 48 years of manufacturing experience, creating some of the most technically advanced and award-winning mountain bikes in the world gives us the confidence to offer a Lifetime Frame Warranty. We produce everything from super-light carbon hardtails, via lightning-fast XC/marathon full suspension machines, all the way to EWS proven and test-winning enduro bikes. Being out in the open is a benefit of all forms of cycling but being able to take your bike off the road is a very special experience.

NINETY-SIX

TRAIL AND TRACK AT FULL GAS

New for 2021 and the exciting reincarnation of our former World Cup winning XC and marathon machine. The new feature-loaded NINETY-SIX inherits the forward-searching race genes of the old NINETY-SIX and combines it with readiness and ability to tackle today's demanding XC and marathon courses. It also satisfies the growing demand for lightweight trail weapons that combine the climbing and sprinting ability of an XC race bike with a 'trail-ability' of a trail bike. The hugely capable 2021 frame platform is the perfect basis for a fun-packed, fast and trail loving short travel full suspension machine.



1

P-FLEX PIVOT

To save weight and further improve the frame stiffness, we have removed the seat-/chainstay pivot point. Instead of a classic bearing, the material properties of the frame allow sufficient flex without having an impact on durability.

2

WIRE PORT

All control cables like gear, brake and dropper post cable enter the frame through a specifically shaped headset cap, cleaning up the cockpit area while also keeping them out of harm's way. Only the internally routed cable for the rear shock lockout enters the frame directly into the top tube for extra smooth lockout action.

3

MODERN DOWN COUNTRY GEOMETRY

In line with today's more demanding and aggressive XC course as well as the rising interest in light yet capable short-travel bikes of the 'down country' segment, we have slackened the head angle by 1.5° (trail version even 3°), increased the reach, lowered the bottom bracket and standover height and steepened the seat angle by 1.5 - 2°.

4

NON-SLIP TIGHTENING

All hardware bolts can be tightened via a TORX 30 key from just one side, without running the risk that the opposite side slips or turns, allowing faster and more straightforward tightening of important hardware components.

5

DOUBLE BOTTLE

Ability to fit two big water bottles into the frame without affecting the suspension action or making the bottles difficult to reach. Perfect for long marathon races and extended trail sessions.

6

TRAIL MOUNT

An additional fixing point behind the head tube offers the option to attach a spare tube, tool or small spare parts safely and securely.



TWO VERSIONS

Our new NINETY-SIX is available in two versions. The more race-focused RC version with 100 mm fork travel and the more trail orientated version with 120 mm upfront. The longer fork does not just offer the ability to handle rough trails better, but it also slackens the head angle and gives the bike a more playful character. Both versions are based on full carbon frames.

NINETY-SIX RC 9000

ANTHRACITE (BLACK/TITAN)

CF5 III Super high-end full carbon main triangle with the highest level of fibres and an EPS core optimising stiffness to weight performance, combined with a CF5 rear triangle featuring 'P-Flex Pivot' technology. A CF5 level frame takes much longer to simulate and test the layout in comparison to the CF4 level and is also more complex in the carbon layout. All that combines results in a lighter frame than the CF4 while having identical stiffness and stability numbers. 'Nano Matrix' for additional impact resistance. Super stiff power transfer and agile handling provided by the tapered head tube and Boost axle standard. All hardware bolts can be tightened via a TORX 30 key from just one side.

| XC/MARATHON | TRAIL | ALL MOUNTAIN | ENDURO |



| | |
|-----------------------|-----------------------------------------------------------------------------------------------------------------------------------------------|
| FRAME | NINETY-SIX RC CF5 III, 100mm suspension travel, material: carbon, 29x2.3" max. wheelsize, 148x12mm axle standard, BSA bottom bracket standard |
| FRAME SIZE | S, M, L, XL |
| FORK | Fox Factory 32 Float SC, Air, 100mm suspension travel, Tapered, Remote lockout, 44mm fork offset, 29x2.3" max. wheelsize |
| SHOCK | Fox Factory Float, remote lockout |
| BRAKES | Shimano XTR |
| ROTORS | Shimano RT-MT900 |
| HEADSET | MERIDA-8151 1-1/8"-1.5" cartridge bearing set, AL cap with AL bolt +SLO1 stop nut set |
| HANDLEBAR | MERIDA TEAM CC, material: carbon, 740mm width, flat |
| HANDLEBAR STEM | MERIDA TEAM CC II, material: aluminium, 31.8mm diameter, -8° stem angle |
| GRIP | Rock Shox TwistLoc grip |
| DERAILLEUR (R) | Shimano XTR Shadow+, SGS |
| SHIFTERS | Shimano SL -MT800-IL / Shimano XTR |
| SEAT POST | Fox Transfer, 30.9mm diameter, 0mm setback, S: 125mm travel seatpost - M/L 150mm travel seatpost - XL 175mm travel seatpost |
| SEAT CLAMP | MERIDA EXPERT |
| SADDLE | SCRATCH M5 PAS |
| CHAIN | Shimano XTR |

| | |
|-----------------------|-------------------------------------------------------------------------------------------------------------------------------------------------------------------------------------------------------|
| CHAINWHEEL | Race Face Next SL, 34 teeth |
| FREEWHEEL | Shimano XTR, 10-51 teeth, 12 speed |
| BOTTOM BRACKET | BB, BSA 73mm- Ø30mm, Ext. Seal |
| RIM | DT SWISS XRC 1501 SPLINE ONE, 110x15mm width front hub, 148x12mm width rear hub, 30mm inner width, Centerlock, Shimano 12 Speed, material: carbon, Tubeless ready (tubeless tape and valves included) |
| AXLES | MERIDA EXPERT TR |
| TIRES | Maxxis Rekon Race |



NINETY-SIX RC 9000

METALLIC TEAL (BLACK/GOLD)

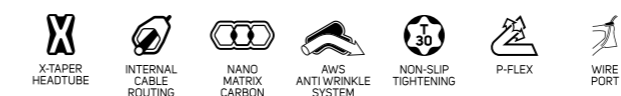
CF5 III Super high-end full carbon main triangle with the highest level of fibres and an EPS core optimising stiffness to weight performance, combined with a CF5 rear triangle featuring 'P-Flex Pivot' technology. A CF5 level frame takes much longer to simulate and test the layout in comparison to the CF4 level and is also more complex in the carbon layout. All that combines results in a lighter frame than the CF4 while having identical stiffness and stability numbers. 'Nano Matrix' for additional impact resistance. Super stiff power transfer and agile handling provided by the tapered head tube and Boost axle standard. All hardware bolts can be tightened via a TORX 30 key from just one side.

| XC/MARATHON | TRAIL | ALL MOUNTAIN | ENDURO |



| | |
|-----------------------|-----------------------------------------------------------------------------------------------------------------------------------------------|
| FRAME | NINETY-SIX RC CF5 III, 100mm suspension travel, material: carbon, 29x2.3" max. wheelsize, 148x12mm axle standard, BSA bottom bracket standard |
| FRAME SIZE | S, M, L, XL |
| FORK | Fox Factory 32 Float SC, Air, 100mm suspension travel, Tapered, Remote lockout, 44mm fork offset, 29x2.3" max. wheelsize |
| SHOCK | Fox Factory Float, remote lockout |
| BRAKES | Shimano XTR |
| ROTORS | Shimano RT-MT900 |
| HEADSET | MERIDA-8151 1-1/8"-1.5" cartridge bearing set, AL cap with AL bolt +SLO1 stop nut set |
| HANDLEBAR | MERIDA TEAM CC, material: carbon, 740mm width, flat |
| HANDLEBAR STEM | MERIDA TEAM CC II, material: aluminium, 31.8mm diameter, -8° stem angle |
| GRIP | Rock Shox TwistLoc grip |
| DERAILLEUR (R) | Shimano XTR Shadow+, SGS |
| SHIFTERS | Shimano SL -MT800-IL / Shimano XTR |
| SEAT POST | Fox Transfer, 30.9mm diameter, 0mm setback, S: 125mm travel seatpost - M/L 150mm travel seatpost - XL 175mm travel seatpost |
| SEAT CLAMP | MERIDA EXPERT |
| SADDLE | SCRATCH M5 PAS |
| CHAIN | Shimano XTR |

| | |
|-----------------------|-------------------------------------------------------------------------------------------------------------------------------------------------------------------------------------------------------|
| CHAINWHEEL | Race Face Next SL, 34 teeth |
| FREEWHEEL | Shimano XTR, 10-51 teeth, 12 speed |
| BOTTOM BRACKET | BB, BSA 73mm- Ø30mm, Ext. Seal |
| RIM | DT SWISS XRC 1501 SPLINE ONE, 110x15mm width front hub, 148x12mm width rear hub, 30mm inner width, Centerlock, Shimano 12 Speed, material: carbon, Tubeless ready (tubeless tape and valves included) |
| AXLES | MERIDA EXPERT TR |
| TIRES | Maxxis Rekon Race |



NINETY-SIX RC XT

GLOSSY RACE RED (BLACK)

CF4 III CF4 main and CF5 rear triangle. Rear triangle featuring 'P-Flex Pivot' technology. A CF4 level takes less time to simulate and test the layup in comparison to the CF5 level. It is also less complicated in the carbon layup, resulting in a slightly heavier frame but with identical stiffness and stability numbers. Full carbon with 'Nano Matrix' for additional impact resistance. Super stiff power transfer and agile handling provided by the tapered head tube and Boost axle standard. All hardware bolts can be tightened via a TORX 30 key from just one side.

| XC/MARATHON | TRAIL | ALL MOUNTAIN | ENDURO |



| | |
|-----------------------|-----------------------------------------------------------------------------------------------------------------------------------------------|
| FRAME | NINETY-SIX RC CF4 III, 100mm suspension travel, material: carbon, 29x2.3" max. wheelsize, 148x12mm axle standard, BSA bottom bracket standard |
| FRAME SIZE | S, M, L, XL |
| FORK | Fox Performance 32 Float SC, Air, 100mm suspension travel, Tapered, Remote lockout, 44mm fork offset, 29x2.3" max. wheelsize |
| SHOCK | Fox Performance Elite Float, remote lockout |
| BRAKES | Shimano XT / Shimano XT M8110 |
| ROTORS | Shimano RT54 |
| HEADSET | MERIDA-8151 1-1/8"-1.5" cartridge bearing set |
| HANDLEBAR | MERIDA EXPERT CC, material: aluminium, 740mm width, flat |
| HANDLEBAR STEM | MERIDA TEAM CC II, material: aluminium, 31.8mm diameter, -20° stem angle |
| GRIP | Rock Shox TwistLoc grip |
| DERAILLEUR (R) | Shimano XT M8100 Shadow+, SGS |
| SHIFTERS | Shimano SL -MT500-IL / Shimano XT |
| SEAT POST | MERIDA EXPERT TR LIGHT, 30.9mm diameter, 0mm setback, S/M/L/XL: 100mm travel seatpost |
| SEAT CLAMP | MERIDA EXPERT |
| SADDLE | MERIDA EXPERT CC, MERIDA EXPERT |
| CHAIN | Shimano SLX |

| | |
|-----------------------|-------------------------------------------------------------------------------------------------------------------|
| CHAINWHEEL | Shimano XT, 32 teeth |
| FREEWHEEL | Shimano XT, 10-51 teeth, 12 speed |
| BOTTOM BRACKET | Shimano SM-BB52 |
| RIM | MERIDA EXPERT CC, 22.8mm inner width, material: aluminium, Tubeless ready (tubeless tape and valves not included) |
| HUBS | Shimano SLX |
| AXLES | MERIDA EXPERT TR |
| SPOKES | Double Butted Black stainless |
| TIRES | Maxxis Rekon Race |



NINETY-SIX RC XT

ANTHRACITE (BLACK/SILVER)

CF4 III CF4 main and CF5 rear triangle. Rear triangle featuring 'P-Flex Pivot' technology. A CF4 level takes less time to simulate and test the layup in comparison to the CF5 level. It is also less complicated in the carbon layup, resulting in a slightly heavier frame but with identical stiffness and stability numbers. Full carbon with 'Nano Matrix' for additional impact resistance. Super stiff power transfer and agile handling provided by the tapered head tube and Boost axle standard. All hardware bolts can be tightened via a TORX 30 key from just one side.

| XC/MARATHON | TRAIL | ALL MOUNTAIN | ENDURO |



| | |
|-----------------------|-----------------------------------------------------------------------------------------------------------------------------------------------|
| FRAME | NINETY-SIX RC CF4 III, 100mm suspension travel, material: carbon, 29x2.3" max. wheelsize, 148x12mm axle standard, BSA bottom bracket standard |
| FRAME SIZE | S, M, L, XL |
| FORK | Fox Performance 32 Float SC, Air, 100mm suspension travel, Tapered, Remote lockout, 44mm fork offset, 29x2.3" max. wheelsize |
| SHOCK | Fox Performance Elite Float, remote lockout |
| BRAKES | Shimano XT / Shimano XT M8110 |
| ROTORS | Shimano RT54 |
| HEADSET | MERIDA-8151 1-1/8"-1.5" cartridge bearing set |
| HANDLEBAR | MERIDA EXPERT CC, material: aluminium, 740mm width, flat |
| HANDLEBAR STEM | MERIDA TEAM CC II, material: aluminium, 31.8mm diameter, -20° stem angle |
| GRIP | Rock Shox TwistLoc grip |
| DERAILLEUR (R) | Shimano XT M8100 Shadow+, SGS |
| SHIFTERS | Shimano SL -MT500-IL / Shimano XT |
| SEAT POST | MERIDA EXPERT TR LIGHT, 30.9mm diameter, 0mm setback, S/M/L/XL: 100mm travel seatpost |
| SEAT CLAMP | MERIDA EXPERT |
| SADDLE | MERIDA EXPERT CC, MERIDA EXPERT |
| CHAIN | Shimano SLX |

| | |
|-----------------------|-------------------------------------------------------------------------------------------------------------------|
| CHAINWHEEL | Shimano XT, 32 teeth |
| FREEWHEEL | Shimano XT, 10-51 teeth, 12 speed |
| BOTTOM BRACKET | Shimano SM-BB52 |
| RIM | MERIDA EXPERT CC, 22.8mm inner width, material: aluminium, Tubeless ready (tubeless tape and valves not included) |
| HUBS | Shimano SLX |
| AXLES | MERIDA EXPERT TR |
| SPOKES | Double Butted Black stainless |
| TIRES | Maxxis Rekon Race |



NINETY-SIX 8000

ANTHRACITE (BLACK/TITAN)

CF4 III CF4 main and CF5 rear triangle. Rear triangle featuring 'P-Flex Pivot' technology. A CF4 level takes less time to simulate and test the layout in comparison to the CF5 level. It is also less complicated in the carbon layout, resulting in a slightly heavier frame but with identical stiffness and stability numbers. Full carbon with 'Nano Matrix' for additional impact resistance. Super stiff power transfer and agile handling provided by the tapered head tube and Boost axle standard. All hardware bolts can be tightened via a TORX 30 key from just one side.

| XC/MARATHON | TRAIL | ALL MOUNTAIN | ENDURO |



| | |
|-----------------------|--------------------------------------------------------------------------------------------------------------------------------------------|
| FRAME | NINETY-SIX CF4 III, 100mm suspension travel, material: carbon, 29x2.3" max. wheelsize, 148x12mm axle standard, BSA bottom bracket standard |
| FRAME SIZE | S, M, L, XL |
| FORK | Rock Shox SID Ultimate, Air, 120mm suspension travel, Tapered, Remote lockout, 44mm fork offset, 29x2.8" max. wheelsize |
| SHOCK | Rock SIDLuxe Ultimate, remote lockout |
| BRAKES | Shimano XT / Shimano XT M8110 |
| ROTORS | Shimano RT-MT900 |
| HEADSET | MERIDA-8151 1-1/8"-1.5" cartridge bearing set |
| HANDLEBAR | MERIDA TEAM CC, material: carbon, 740mm width, flat |
| HANDLEBAR STEM | MERIDA TEAM CC II, material: aluminium, 31.8mm diameter, -20° stem angle |
| GRIP | Rock Shox TwistLoc grip |
| DERAILLEUR (R) | Sram GX Eagle |
| SHIFTERS | Shimano SL -MT800-IL / Sram GX Eagle |
| SEAT POST | MERIDA EXPERT TR, 30.9mm diameter, 0mm setback, S: 125mm travel seatpost - M 150mm travel seatpost - L/XL 170mm travel seatpost |
| SEAT CLAMP | MERIDA EXPERT |
| SADDLE | SCRATCH M5 PAS |
| CHAIN | Sram XX1 Eagle |

| | |
|-----------------------|------------------------------------------------------------------------------------------------------------------------------------------------------------------------------------------|
| CHAINWHEEL | Sram Carbon GX Eagle, 34 teeth |
| FREEWHEEL | Sram XG-1299 Eagle, 10-52 teeth, 12 speed |
| BOTTOM BRACKET | BB DUB BSA 73 MTB |
| RIM | Reynolds TR 309, 110x15mm width front hub, 148x12mm width rear hub, 30mm inner width, Centerlock, Shimano 12 Speed, material: carbon, Tubeless ready (tubeless tape and valves included) |
| AXLES | MERIDA EXPERT TR |
| TIRES | Maxxis Minion DHR II |



NINETY-SIX 8000

MATT STEEL BLUE (GLOSSY BROWN)

CF4 III CF4 main and CF5 rear triangle. Rear triangle featuring 'P-Flex Pivot' technology. A CF4 level takes less time to simulate and test the layout in comparison to the CF5 level. It is also less complicated in the carbon layout, resulting in a slightly heavier frame but with identical stiffness and stability numbers. Full carbon with 'Nano Matrix' for additional impact resistance. Super stiff power transfer and agile handling provided by the tapered head tube and Boost axle standard. All hardware bolts can be tightened via a TORX 30 key from just one side.

| XC/MARATHON | TRAIL | ALL MOUNTAIN | ENDURO |



| | |
|-----------------------|--------------------------------------------------------------------------------------------------------------------------------------------|
| FRAME | NINETY-SIX CF4 III, 100mm suspension travel, material: carbon, 29x2.3" max. wheelsize, 148x12mm axle standard, BSA bottom bracket standard |
| FRAME SIZE | S, M, L, XL |
| FORK | Rock Shox SID Ultimate, Air, 120mm suspension travel, Tapered, Remote lockout, 44mm fork offset, 29x2.8" max. wheelsize |
| SHOCK | Rock SIDLuxe Ultimate, remote lockout |
| BRAKES | Shimano XT / Shimano XT M8110 |
| ROTORS | Shimano RT-MT900 |
| HEADSET | MERIDA-8151 1-1/8"-1.5" cartridge bearing set |
| HANDLEBAR | MERIDA TEAM CC, material: carbon, 740mm width, flat |
| HANDLEBAR STEM | MERIDA TEAM CC II, material: aluminium, 31.8mm diameter, -20° stem angle |
| GRIP | Rock Shox TwistLoc grip |
| DERAILLEUR (R) | Sram GX Eagle |
| SHIFTERS | Shimano SL -MT800-IL / Sram GX Eagle |
| SEAT POST | MERIDA EXPERT TR, 30.9mm diameter, 0mm setback, S: 125mm travel seatpost - M 150mm travel seatpost - L/XL 170mm travel seatpost |
| SEAT CLAMP | MERIDA EXPERT |
| SADDLE | SCRATCH M5 PAS |
| CHAIN | Sram XX1 Eagle |

| | |
|-----------------------|------------------------------------------------------------------------------------------------------------------------------------------------------------------------------------------|
| CHAINWHEEL | Sram Carbon GX Eagle, 34 teeth |
| FREEWHEEL | Sram XG-1299 Eagle, 10-52 teeth, 12 speed |
| BOTTOM BRACKET | BB DUB BSA 73 MTB |
| RIM | Reynolds TR 309, 110x15mm width front hub, 148x12mm width rear hub, 30mm inner width, Centerlock, Shimano 12 Speed, material: carbon, Tubeless ready (tubeless tape and valves included) |
| AXLES | MERIDA EXPERT TR |
| TIRES | Maxxis Minion DHR II |



NINETY-SIX RC 5000

ORANGE (BLACK)

CF4 III CF4 main and CF5 rear triangle. Rear triangle featuring 'P-Flex Pivot' technology. A CF4 level takes less time to simulate and test the layup in comparison to the CF5 level. It is also less complicated in the carbon layup, resulting in a slightly heavier frame but with identical stiffness and stability numbers. Full carbon with 'Nano Matrix' for additional impact resistance. Super stiff power transfer and agile handling provided by the tapered head tube and Boost axle standard. All hardware bolts can be tightened via a TORX 30 key from just one side.

| XC/MARATHON | TRAIL | ALL MOUNTAIN | ENDURO |



| | |
|-----------------------|-----------------------------------------------------------------------------------------------------------------------------------------------|
| FRAME | NINETY-SIX RC CF4 III, 100mm suspension travel, material: carbon, 29x2.3" max. wheelsize, 148x12mm axle standard, BSA bottom bracket standard |
| FRAME SIZE | S, M, L, XL |
| FORK | Rock Shox Reba RL, Air, 100mm suspension travel, Tapered, Remote lockout, 51mm fork offset, 29x2.8" max. wheelsize |
| SHOCK | Rock SIDLuxe Select+, remote lockout |
| BRAKES | Shimano SLX M7100 / Shimano SLX M7110 |
| ROTORS | Shimano RT54 |
| HEADSET | MERIDA-8151 1-1/8"-1.5" cartridge bearing set |
| HANDLEBAR | MERIDA EXPERT CC, material: aluminium, 740mm width, flat |
| HANDLEBAR STEM | MERIDA TEAM CC II, material: aluminium, 31.8mm diameter, -20° stem angle |
| GRIP | Rock Shox TwistLoc grip |
| DERAILLEUR (R) | Shimano XT M8100 Shadow+, SGS |
| SHIFTERS | Shimano SL -MT500-IL / Shimano Deore M6100 |
| SEAT POST | MERIDA EXPERT TR LIGHT, 30.9mm diameter, 0mm setback, S/M/L/XL: 100mm travel seatpost |
| SEAT CLAMP | MERIDA EXPERT |
| SADDLE | MERIDA COMP CC |
| CHAIN | KMC X12 |

| | |
|-----------------------|-------------------------------------------------------------------------------------------------------------------|
| CHAINWHEEL | Shimano Deore M6100, 32 teeth |
| FREEWHEEL | Shimano Deore M6100, 10-51 teeth, 12 speed |
| BOTTOM BRACKET | Shimano SM-BB52 |
| RIM | MERIDA EXPERT CC, 22.8mm inner width, material: aluminium, Tubeless ready (tubeless tape and valves not included) |
| HUBS | Shimano MT400-B / Shimano MT410-B |
| AXLES | MERIDA EXPERT TR |
| SPOKES | Double Butted Black stainless |
| TIRES | Maxxis Rekon Race |



NINETY-SIX RC 5000

ANTHRACITE (BLACK/SILVER)

CF4 III CF4 main and CF5 rear triangle. Rear triangle featuring 'P-Flex Pivot' technology. A CF4 level takes less time to simulate and test the layup in comparison to the CF5 level. It is also less complicated in the carbon layup, resulting in a slightly heavier frame but with identical stiffness and stability numbers. Full carbon with 'Nano Matrix' for additional impact resistance. Super stiff power transfer and agile handling provided by the tapered head tube and Boost axle standard. All hardware bolts can be tightened via a TORX 30 key from just one side.

| XC/MARATHON | TRAIL | ALL MOUNTAIN | ENDURO |



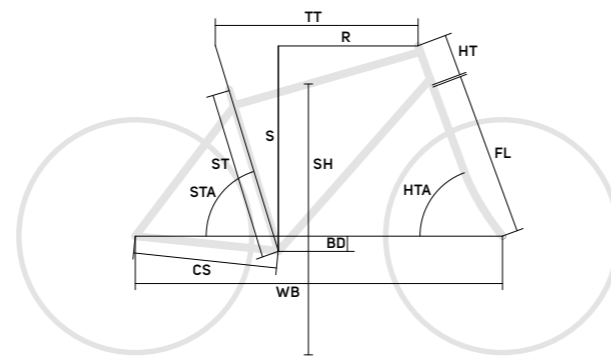
| | |
|-----------------------|-----------------------------------------------------------------------------------------------------------------------------------------------|
| FRAME | NINETY-SIX RC CF4 III, 100mm suspension travel, material: carbon, 29x2.3" max. wheelsize, 148x12mm axle standard, BSA bottom bracket standard |
| FRAME SIZE | S, M, L, XL |
| FORK | Rock Shox Reba RL, Air, 100mm suspension travel, Tapered, Remote lockout, 51mm fork offset, 29x2.8" max. wheelsize |
| SHOCK | Rock SIDLuxe Select+, remote lockout |
| BRAKES | Shimano SLX M7100 / Shimano SLX M7110 |
| ROTORS | Shimano RT54 |
| HEADSET | MERIDA-8151 1-1/8"-1.5" cartridge bearing set |
| HANDLEBAR | MERIDA EXPERT CC, material: aluminium, 740mm width, flat |
| HANDLEBAR STEM | MERIDA TEAM CC II, material: aluminium, 31.8mm diameter, -20° stem angle |
| GRIP | Rock Shox TwistLoc grip |
| DERAILLEUR (R) | Shimano XT M8100 Shadow+, SGS |
| SHIFTERS | Shimano SL -MT500-IL / Shimano Deore M6100 |
| SEAT POST | MERIDA EXPERT TR LIGHT, 30.9mm diameter, 0mm setback, S/M/L/XL: 100mm travel seatpost |
| SEAT CLAMP | MERIDA EXPERT |
| SADDLE | MERIDA COMP CC |
| CHAIN | KMC X12 |

| | |
|-----------------------|-------------------------------------------------------------------------------------------------------------------|
| CHAINWHEEL | Shimano Deore M6100, 32 teeth |
| FREEWHEEL | Shimano Deore M6100, 10-51 teeth, 12 speed |
| BOTTOM BRACKET | Shimano SM-BB52 |
| RIM | MERIDA EXPERT CC, 22.8mm inner width, material: aluminium, Tubeless ready (tubeless tape and valves not included) |
| HUBS | Shimano MT400-B / Shimano MT410-B |
| AXLES | MERIDA EXPERT TR |
| SPOKES | Double Butted Black stainless |
| TIRES | Maxxis Rekon Race |



NINETY-SIX

GEOMETRIES



NINETY-SIX RC CF5 III

| FS Frame Size | S | M | L | XL |
|-----------------------------|------|------|------|------|
| TS Tire Size | 29" | 29" | 29" | 29" |
| ST seat tube [mm] | 400 | 440 | 470 | 500 |
| TT top tube [mm] | 576 | 596 | 619 | 643 |
| CS chain stay length [mm] | 435 | 435 | 435 | 435 |
| HTA head tube angle [°] | 68.5 | 68.5 | 68.5 | 68.5 |
| STA seat tube angle [°] | 76.5 | 76.5 | 76 | 76 |
| BD bottom bracket drop [mm] | 45 | 45 | 45 | 45 |
| HT head tube [mm] | 95 | 95 | 105 | 115 |
| FL fork length [mm] | 503 | 503 | 503 | 503 |
| R reach [mm] | 433 | 453 | 473 | 493 |
| S stack [mm] | 585 | 585 | 595 | 604 |
| WB wheel base [mm] | 1126 | 1146 | 1169 | 1193 |
| SH stand over height [mm] | 730 | 731 | 736 | 738 |

NINETY-SIX RC CF4 III

| FS Frame Size | S | M | L | XL |
|-----------------------------|------|------|------|------|
| TS Tire Size | 29" | 29" | 29" | 29" |
| ST seat tube [mm] | 400 | 440 | 470 | 500 |
| TT top tube [mm] | 576 | 596 | 619 | 643 |
| CS chain stay length [mm] | 435 | 435 | 435 | 435 |
| HTA head tube angle [°] | 68.5 | 68.5 | 68.5 | 68.5 |
| STA seat tube angle [°] | 76.5 | 76.5 | 76 | 76 |
| BD bottom bracket drop [mm] | 45 | 45 | 45 | 45 |
| HT head tube [mm] | 95 | 95 | 105 | 115 |
| FL fork length [mm] | 503 | 503 | 503 | 503 |
| R reach [mm] | 433 | 453 | 473 | 493 |
| S stack [mm] | 585 | 585 | 595 | 604 |
| WB wheel base [mm] | 1126 | 1146 | 1169 | 1193 |
| SH stand over height [mm] | 730 | 731 | 736 | 738 |

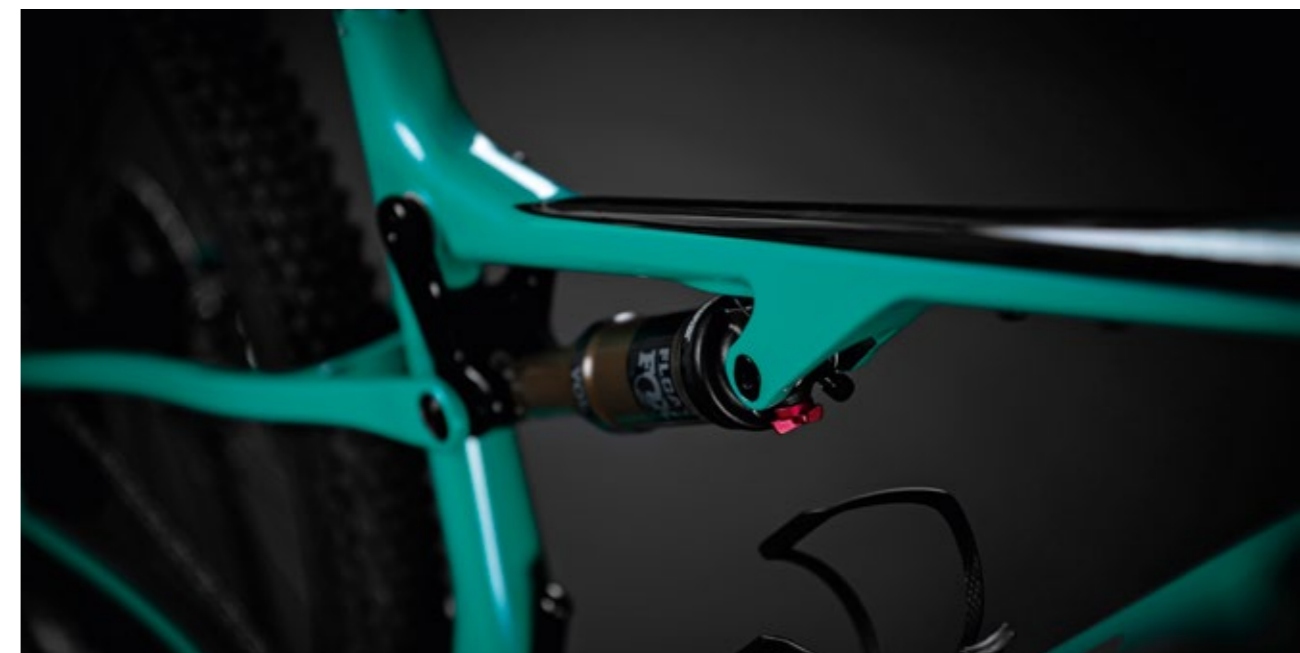
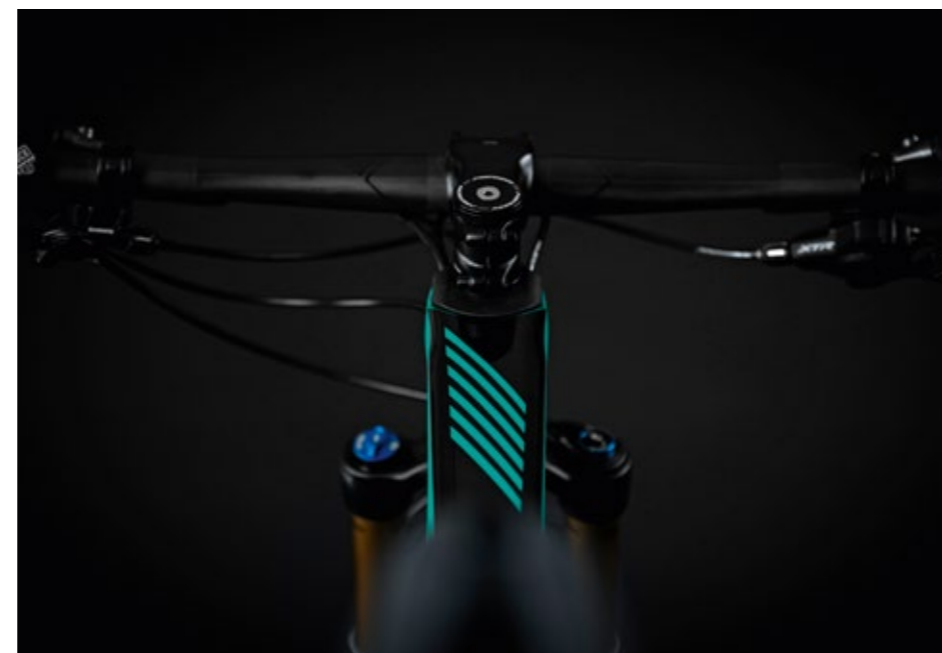
NINETY-SIX CF4 III

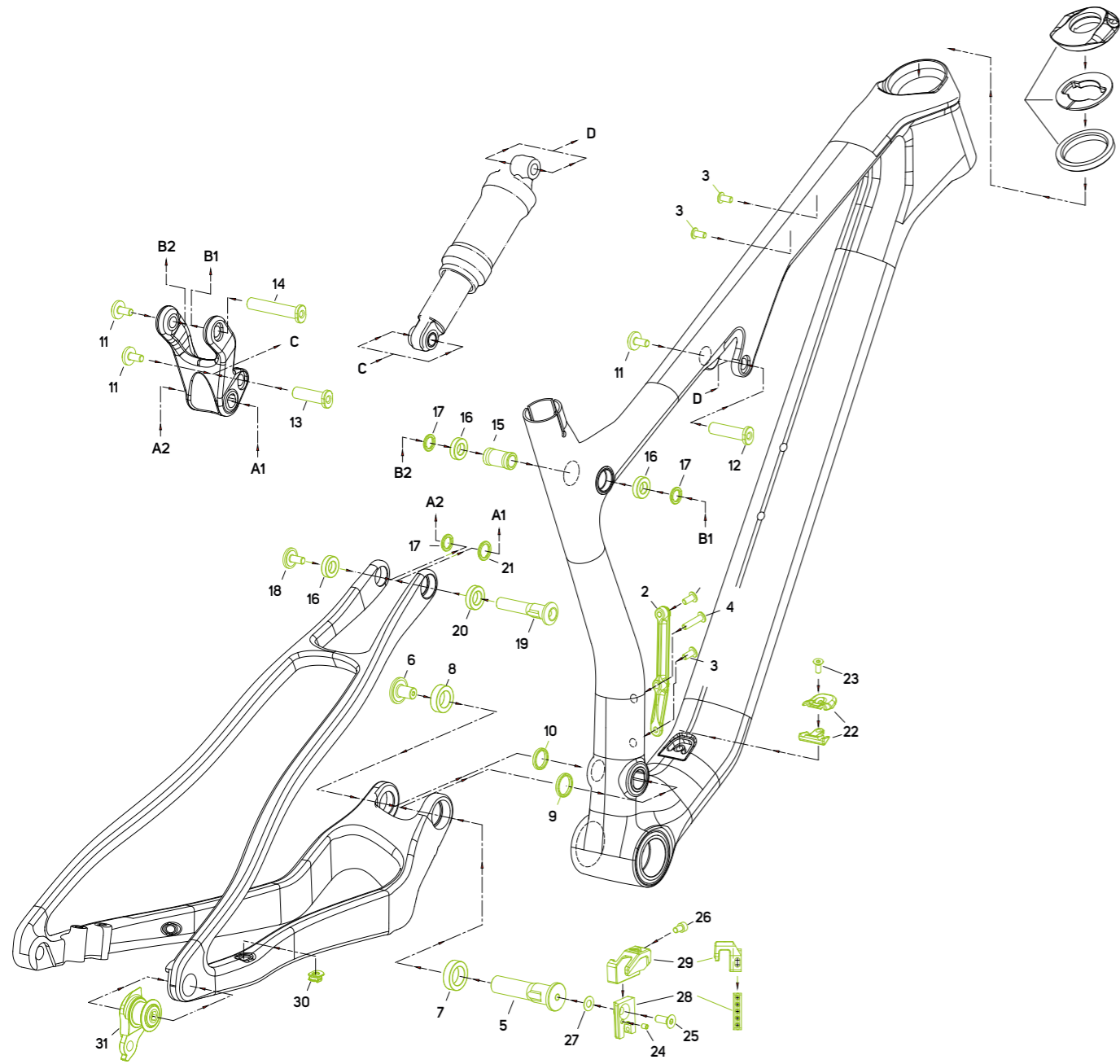
| FS Frame Size | S | M | L | XL |
|-----------------------------|------|------|------|------|
| TS Tire Size | 29" | 29" | 29" | 29" |
| ST seat tube [mm] | 400 | 440 | 470 | 500 |
| TT top tube [mm] | 581 | 601 | 624 | 648 |
| CS chain stay length [mm] | 435 | 435 | 435 | 435 |
| HTA head tube angle [°] | 67 | 67 | 67 | 67 |
| STA seat tube angle [°] | 75 | 75 | 75 | 74.5 |
| BD bottom bracket drop [mm] | 36 | 36 | 36 | 36 |
| HT head tube [mm] | 95 | 95 | 105 | 115 |
| FL fork length [mm] | 530 | 530 | 530 | 530 |
| R reach [mm] | 420 | 440 | 460 | 480 |
| S stack [mm] | 595 | 595 | 605 | 614 |
| WB wheel base [mm] | 1136 | 1156 | 1180 | 1203 |
| SH stand over height [mm] | 740 | 741 | 747 | 749 |

FRAME INTERFACES

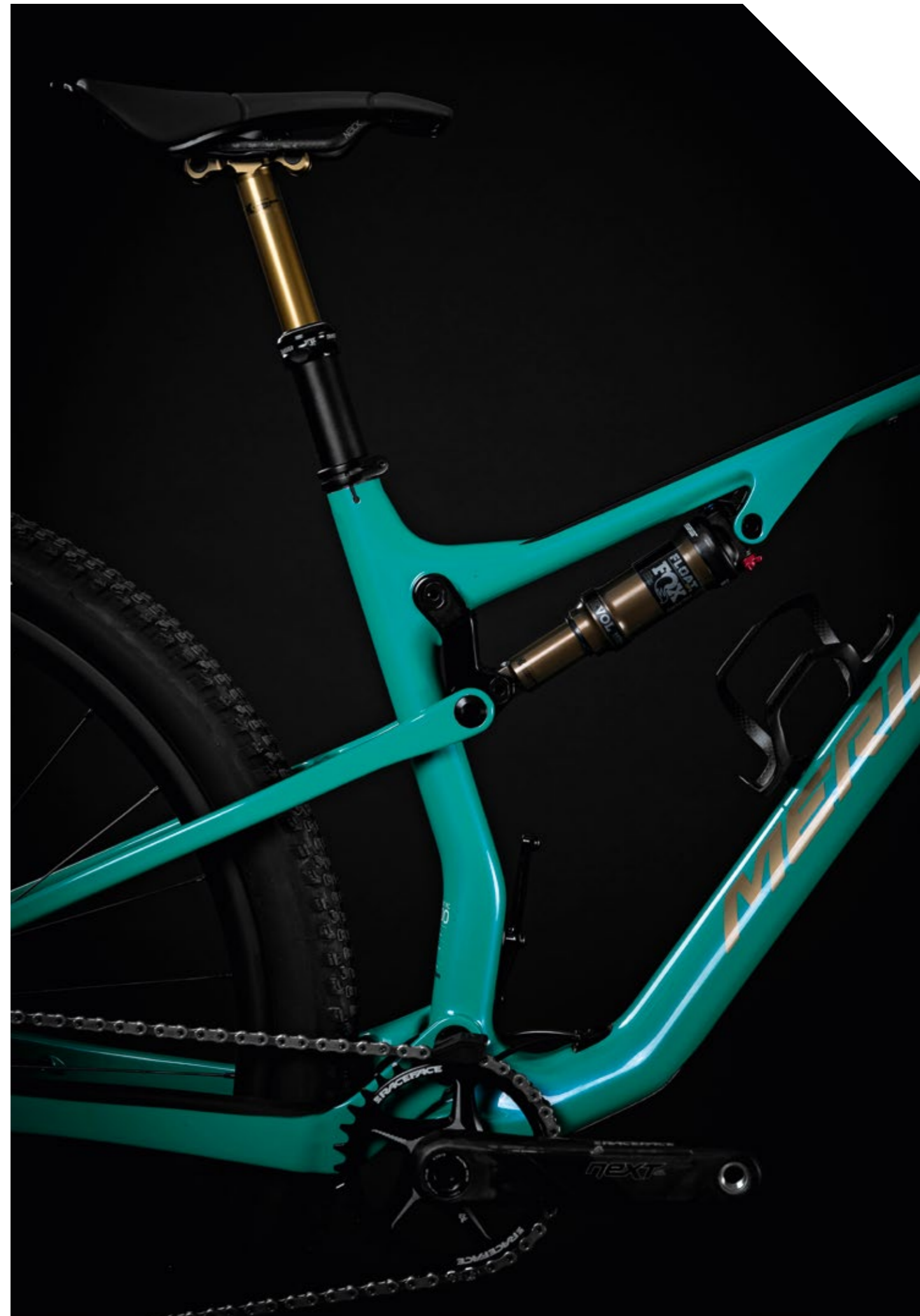
| | RC CF5 III | RC CF4 III | CF5 III |
|----------------------------------|---------------------|---------------------|---------------------|
| MAX. WHEELSIZE | 29x2.3" | 29x2.3" | 29x2.3" |
| MAX. CHAINRING | 1x38T | 1x38T | 1x38T |
| HEAD TUBE | | | |
| 11/2" & 11/2" | • | • | • |
| HEADSET | | | |
| INTEGRATED | • | • | • |
| BRAKE STANDARD | | | |
| DISC BRAKE ON CHAIN STAY | • | • | • |
| FLAT MOUNT 160/180 MM REAR BRAKE | • | • | • |
| BB-STANDARD | | | |
| BSA 73 MM | • | • | • |
| SEATPOST DIAMETER | | | |
| 30.9 MM | • | • | • |
| REAR DROPOUT-STANDARD | | | |
| THRU AXLE 12X148 MM | • | • | • |
| CABLE ROUTING | | | |
| INTERNAL SHIFTING CABLES | • | • | • |
| INTERNAL BRAKE CABLE | • | • | • |
| INTERNAL SHOCK CABLE | • | • | • |
| INTERNAL SEAT POST CABLE | • | • | • |
| FD-STANDARD | 1x specific | 1x specific | 1x specific |
| FRAME WEIGHT* | 1695g size M +/- 3% | 1845g size M +/- 3% | 1845g size M +/- 3% |
| RD HANGER | Sram UDH | Sram UDH | Sram UDH |

*frame weight only! Without axle, frame protectors, saddle clamp, hanger, steerer cups and cable guides (weight is also depending on the frame color)





| No. | Item No. | Item | Detail information | Pieces | Torque Nm | No. | Item No. | Item | Detail information | Pieces | Torque Nm |
|-----|------------|----------|----------------------|--------|-----------|-----|------------|---------------|-------------------------|--------|-----------|
| 2 | 2136001371 | BC-MOUNT | | 1 | | 18 | 2300015814 | SCREW | | 1 | 8 |
| 3 | 2298012187 | SCREW | | 4 | 5 | 19 | 2300015825 | BOLT | | 1 | |
| 4 | 2298011164 | SCREW | | 1 | 5 | 20 | 2221002265 | BEARING | 6801V-2RS 21D*12D*5W | 1 | |
| 5 | 2300015847 | BOLT | | 1 | | 21 | 2294004956 | WASHER | | 1 | |
| 6 | 2300015836 | SCREW | | 1 | 16 | 22 | 2258005740 | CABLE GUIDE | | 1 | |
| 7 | 2221002340 | BEARING | 3803V-2RS 26D*17D*7W | 1 | | 23 | 2300012509 | SCREW | | 1 | 2,5 |
| 8 | 2221002395 | BEARING | 3802V-2RS 24D*15D*7W | 1 | | 24 | 2300015922 | LOCKING SCREW | | 1 | 2,5 |
| 9 | 2294004882 | WASHER | | 1 | | 25 | 2298010442 | SCREW | | 1 | 8 |
| 10 | 2294001180 | WASHER | | 1 | | 26 | 2300015911 | SCREW | | 1 | 2,5 |
| 11 | 2300015773 | SCREW | | 3 | 8 | 27 | 2294005816 | WASHER | | 1 | |
| 12 | 2300015784 | BOLT | | 1 | | 28 | 2232002398 | BASE PLATE | | 1 | |
| 13 | 2300015795 | BOLT | | 1 | | 29 | 2232002376 | CHAIN GUARD | | 1 | |
| 14 | 2300015803 | BOLT | | 1 | | 30 | 2258004471 | CABLE GUIDE | | 1 | |
| 15 | 2181000342 | SPACER | | 1 | | 31 | 2311005673 | DROPOUT | SRAM UDH (see page 610) | 1 | |
| 16 | 2221002254 | BEARING | 6800V-2RS 19D*10D*5W | 3 | | | | | | | |
| 17 | 2294004451 | WASHER | | 3 | | | | | | | |



ONE-TWENTY

RACE READY MEETS TRAIL PERFORMANCE

Completely redesigned for the 2019 season, our 'do it all' bike, the ONE-TWENTY has continued its success story with the international cycling press and managed to add multiple test successes including a 'BEST IN TEST' in Enduro Mountainbike Magazine to its trophy cabinet. Riders and the press alike appreciated the versatility of our mid-travel bike, the hugely efficient rear suspension configuration and the sheer unstoppable trail munching capabilities. While very much a trail bike at heart, the modern, yet balanced, trail bike geometry, paired with fantastic frame stiffness created a mid-travel bike that is super capable on rough trails but also carries speed perfectly on less technically demanding tracks.



1

FLOAT LINK SUSPENSION

The lower shock mount moves with the system to deliver plushness and pedalling efficiency. Our engineers can precisely influence the transmission ratio and progression, which means that a 'Float Link' system is very sensitive, delivering great support in mid-travel and the appearance of more travel than the model name suggests.

2

TRUNNION MOUNT

A trunnion mount shock gives our frame designers more flexibility by using a shorter shock with increased stroke. Combined with the ball bearing bushing of the upper mount, shock sensitivity is increased, and the suspension performance can be perfectly tuned.

3

MODERN TRAIL BIKE GEOMETRY

The 'classic' ONE-TWENTY has a very low stand over height, giving the rider ample space to manoeuvre when the terrain demands it. The slack head angle and short chainstays give the bike a playful character while offering the perfect compromise between being a great climber and an agile trail bike.

4

NON-SLIP TIGHTENING

Selected bolts can be tightened via a TORX 30 key from just one side, without running the risk that the opposite side slips or turns, allowing faster and more straightforward tightening of important hardware components.

5

STEALTH DROPPER SEATPOST

A dropper post is allowing the rider to get the saddle out of the way when the gradient gets steeper, giving him/her more space to manoeuvre and control over their bike. The fitted dropper posts featuring internal cable routing and remote levers, creating a cleaner look and allowing easier 'on the go' saddle height adjustment.



RC OR TRAIL

The ONE-TWENTY is available in two different versions – the 120 mm front and 100 mm rear travel 'RC' version which combines the trail panache of the ONE-TWENTY chassis with a more short-travel XC setup or the hugely trail-capable 130 mm front / 120 mm rear travel 'classic' TRAIL version. The 'classic' ONE-TWENTY is available in three frame variations: a super-light full carbon version, a carbon front triangle paired with hydroformed 6066 triple butted aluminium rear end and a more budget-friendly all-aluminium version, while the RC version has a full aluminium frame. All frames feature Boost technology.

ONE-TWENTY RC XT-EDITION

SILK ANTHRACITE (BLACK)

RC LITE Lightweight 6066 series aluminium triple butted and hydroformed frameset with 'Smooth welding' and internal cable routing. Tapered head tube for precise steering, Boost standard and rear through axle for rear end stiffness. The floating shock provides 100 mm of travel.

| XC/MARATHON | TRAIL | ALL MOUNTAIN | ENDURO |



| | |
|-----------------------|-------------------------------------------------------------------------------------------------------------------------------------------------|
| FRAME | ONE-TWENTY RC LITE, 100mm suspension travel, material: aluminium, 29x2.35" max. wheelsize, 148x12mm axle standard, BB92 bottom bracket standard |
| FRAME SIZE | S, M, L, XL |
| FORK | Rock Shox Reba RL, Air, 120mm suspension travel, Tapered, remote lockout, 51mm fork offset, 29x2.8" max. wheelsize |
| SHOCK | Rock Shox Deluxe Select+, lockout |
| BRAKES | Shimano M6100 |
| ROTORS | Shimano RT54 |
| HEADSET | FSA NO.47/50 |
| HANDLEBAR | MERIDA EXPERT CC, material: aluminium, 740mm width, flat |
| HANDLEBAR STEM | MERIDA EXPERT CC, material: aluminium, 31.8mm diameter, -6° stem angle, 70 mm all sizes |
| GRIP | Rock Shox TwistLoc grip |
| DERAILLEUR (R) | Shimano XT M8100 Shadow+, SGS |
| SHIFTERS | Shimano SL -MT500-IL / Shimano XT |
| SEAT POST | MERIDA COMP TR, 30.9mm diameter, 0mm setback, S: 100mm travel seatpost - M: 125mm travel seatpost - L/XL: 150mm travel seatpost |
| SEAT CLAMP | MERIDA EXPERT |
| SADDLE | MERIDA COMP CC |
| CHAIN | KMC X12 |

| | |
|-----------------------|-------------------------------------------------------------------------------------------------------------------|
| CHAINWHEEL | Shimano XT, 32 teeth, 170 mm-S, 175 mm-M up |
| FREEWHEEL | Shimano Deore M6100, 10-51 teeth, 12 speed |
| BOTTOM BRACKET | Shimano MT500-PA pressfit |
| RIM | MERIDA EXPERT CC, 22.8mm inner width, material: aluminium, Tubeless ready (tubeless tape and valves not included) |
| HUBS | Shimano SLX |
| AXLES | MERIDA EXPERT TR |
| SPOKES | Double Butted Black stainless |
| TIRES | Maxxis Rekon Race |
| FENDER | MERIDA MTB lite-front |



ONE-TWENTY RC XT-EDITION

GLOSSY RED (MATT BLACK)

RC LITE Lightweight 6066 series aluminium triple butted and hydroformed frameset with 'Smooth welding' and internal cable routing. Tapered head tube for precise steering, Boost standard and rear through axle for rear end stiffness. The floating shock provides 100 mm of travel.

| XC/MARATHON | TRAIL | ALL MOUNTAIN | ENDURO |



| | |
|-----------------------|-------------------------------------------------------------------------------------------------------------------------------------------------|
| FRAME | ONE-TWENTY RC LITE, 100mm suspension travel, material: aluminium, 29x2.35" max. wheelsize, 148x12mm axle standard, BB92 bottom bracket standard |
| FRAME SIZE | S, M, L, XL |
| FORK | Rock Shox Reba RL, Air, 120mm suspension travel, Tapered, remote lockout, 51mm fork offset, 29x2.8" max. wheelsize |
| SHOCK | Rock Shox Deluxe Select+, lockout |
| BRAKES | Shimano M6100 |
| ROTORS | Shimano RT54 |
| HEADSET | FSA NO.47/50 |
| HANDLEBAR | MERIDA EXPERT CC, material: aluminium, 740mm width, flat |
| HANDLEBAR STEM | MERIDA EXPERT CC, material: aluminium, 31.8mm diameter, -6° stem angle, 70 mm all sizes |
| GRIP | Rock Shox TwistLoc grip |
| DERAILLEUR (R) | Shimano XT M8100 Shadow+, SGS |
| SHIFTERS | Shimano SL -MT500-IL / Shimano XT |
| SEAT POST | MERIDA COMP TR, 30.9mm diameter, 0mm setback, S: 100mm travel seatpost - M: 125mm travel seatpost - L/XL: 150mm travel seatpost |
| SEAT CLAMP | MERIDA EXPERT |
| SADDLE | MERIDA COMP CC |
| CHAIN | KMC X12 |

| | |
|-----------------------|-------------------------------------------------------------------------------------------------------------------|
| CHAINWHEEL | Shimano XT, 32 teeth, 170 mm-S, 175 mm-M up |
| FREEWHEEL | Shimano Deore M6100, 10-51 teeth, 12 speed |
| BOTTOM BRACKET | Shimano MT500-PA pressfit |
| RIM | MERIDA EXPERT CC, 22.8mm inner width, material: aluminium, Tubeless ready (tubeless tape and valves not included) |
| HUBS | Shimano SLX |
| AXLES | MERIDA EXPERT TR |
| SPOKES | Double Butted Black stainless |
| TIRES | Maxxis Rekon Race |
| FENDER | MERIDA MTB lite-front |



ONE-TWENTY RC 300

SILK ANTHRACITE (BLACK)

RC LITE Lightweight 6066 series aluminium triple butted and hydroformed frameset with 'Smooth welding' and internal cable routing. Tapered head tube for precise steering, Boost standard and rear through axle for rear end stiffness. The floating shock provides 100 mm of travel.

| XC/MARATHON | TRAIL | ALL MOUNTAIN | ENDURO |



| | |
|-----------------------|-------------------------------------------------------------------------------------------------------------------------------------------------|
| FRAME | ONE-TWENTY RC LITE, 100mm suspension travel, material: aluminium, 29x2.35" max. wheelsize, 148x12mm axle standard, BB92 bottom bracket standard |
| FRAME SIZE | S, M, L, XL |
| FORK | Suntour XCR32 RL-R, Air, 120mm suspension travel, Tapered, Remote lockout, 46mm fork offset |
| SHOCK | Suntour Edge TR LOR8, lockout |
| BRAKES | Tektro M275 |
| ROTORS | Shimano RT10 |
| HEADSET | FSA NO.47/50, AL cap with STS bolt+ ST stop nut |
| HANDLEBAR | MERIDA EXPERT CC, material: aluminium, 720mm width, 10mm rise |
| HANDLEBAR STEM | MERIDA COMP CC, material: aluminium, 31.8mm diameter, 6° stem angle |
| GRIP | MERIDA COMP EC |
| DERAILLEUR (F) | Shimano Alivio |
| DERAILLEUR (R) | Shimano Alivio Shadow, SGS |
| SHIFTERS | Shimano Alivio |
| SEAT POST | MERIDA COMP CC, material: aluminium, 30.9mm diameter, 0mm setback |
| SEAT CLAMP | MERIDA COMP QR |
| SADDLE | MERIDA COMP CC |

| | |
|-----------------------|-------------------------------------------------------|
| CHAIN | KMC X10 |
| CHAINWHEEL | Shimano MT210-B2, 36-22 teeth |
| FREEWHEEL | Shimano HG200, 11-36 teeth, 9 speed |
| BOTTOM BRACKET | Shimano MT500-PA pressfit |
| RIM | MERIDA COMP CC, 20mm inner width, material: aluminium |
| HUBS | Shimano MT400-B |
| AXLES | MERIDA COMP TR |
| SPOKES | Black stainless |
| TIRES | Maxxis Ikon |



ONE-TWENTY RC 300

TEAL-BLUE (LIME)

RC LITE Lightweight 6066 series aluminium triple butted and hydroformed frameset with 'Smooth welding' and internal cable routing. Tapered head tube for precise steering, Boost standard and rear through axle for rear end stiffness. The floating shock provides 100 mm of travel.

| XC/MARATHON | TRAIL | ALL MOUNTAIN | ENDURO |



| | |
|-----------------------|-------------------------------------------------------------------------------------------------------------------------------------------------|
| FRAME | ONE-TWENTY RC LITE, 100mm suspension travel, material: aluminium, 29x2.35" max. wheelsize, 148x12mm axle standard, BB92 bottom bracket standard |
| FRAME SIZE | S, M, L, XL |
| FORK | Suntour XCR32 RL-R, Air, 120mm suspension travel, Tapered, Remote lockout, 46mm fork offset |
| SHOCK | Suntour Edge TR LOR8, lockout |
| BRAKES | Tektro M275 |
| ROTORS | Shimano RT10 |
| HEADSET | FSA NO.47/50, AL cap with STS bolt+ ST stop nut |
| HANDLEBAR | MERIDA EXPERT CC, material: aluminium, 720mm width, 10mm rise |
| HANDLEBAR STEM | MERIDA COMP CC, material: aluminium, 31.8mm diameter, 6° stem angle |
| GRIP | MERIDA COMP EC |
| DERAILLEUR (F) | Shimano Alivio |
| DERAILLEUR (R) | Shimano Alivio Shadow, SGS |
| SHIFTERS | Shimano Alivio |
| SEAT POST | MERIDA COMP CC, material: aluminium, 30.9mm diameter, 0mm setback |
| SEAT CLAMP | MERIDA COMP QR |
| SADDLE | MERIDA COMP CC |

| | |
|-----------------------|-------------------------------------------------------|
| CHAIN | KMC X10 |
| CHAINWHEEL | Shimano MT210-B2, 36-22 teeth |
| FREEWHEEL | Shimano HG200, 11-36 teeth, 9 speed |
| BOTTOM BRACKET | Shimano MT500-PA pressfit |
| RIM | MERIDA COMP CC, 20mm inner width, material: aluminium |
| HUBS | Shimano MT400-B |
| AXLES | MERIDA COMP TR |
| SPOKES | Black stainless |
| TIRES | Maxxis Ikon |



ONE-TWENTY 8000

SILVER/BLACK/BLUE

CF4 Full carbon frame incorporating 'Nano Matrix' technology for additional impact resistance. 'Smart Entry' cable clamping system for rattle free running. Tapered head tube for precise steering, Boost standard and rear through axle for rear end stiffness. Floating rear shock provides 120 mm of travel.

| XC/MARATHON | TRAIL | ALL MOUNTAIN | ENDURO |



| | |
|-----------------------|------------------------------------------------------------------------------------------------------------------------------------------|
| FRAME | ONE-TWENTY CF4, 120mm suspension travel, material: carbon, 29x2.35" max. wheelsize, 148x12mm axle standard, BB92 bottom bracket standard |
| FRAME SIZE | S, M, L, XL |
| FORK | Rock Shox Pike Ultimate, Air, 130mm suspension travel, Tapered, 42mm fork offset, 29x2.8" max. wheelsize |
| SHOCK | Rock Shox Deluxe Ultimate, platform |
| BRAKES | Sram Code RSC |
| ROTORS | Sram Centerline X |
| HEADSET | FSA NO.47/50CF |
| HANDLEBAR | MERIDA TEAM TR, material: carbon, 760mm width, 22mm rise |
| HANDLEBAR STEM | MERIDA EXPERT TR, material: aluminium, 35mm diameter, 0° stem angle |
| GRIP | MERIDA EXPERT EC |
| DERAILLEUR (R) | Sram GX Eagle |
| SHIFTERS | Shimano SL -MT500-IL / Sram GX Eagle |
| SEAT POST | MERIDA EXPERT TR, 30.9mm diameter, 0mm setback, S: 125mm travel seatpost - M 150mm travel seatpost - L/XL 170mm travel seatpost |
| SEAT CLAMP | MERIDA EXPERT |
| SADDLE | MERIDA EXPERT CC, MERIDA EXPERT |
| CHAIN | Sram XX1 Eagle |

| | |
|-----------------------|------------------------------------------------------------------------------------------------------------------------------------------------------------------------------------------|
| CHAINWHEEL | Sram Carbon GX Eagle, 34 teeth |
| FREEWHEEL | Sram XG-1299 Eagle, 10-52 teeth, 12 speed |
| BOTTOM BRACKET | Sram BB DUB PF MTB 92 |
| RIM | Reynolds TR 309, 110x15mm width front hub, 148x12mm width rear hub, 30mm inner width, Centerlock, Shimano 12 Speed, material: carbon, Tubeless ready (tubeless tape and valves included) |
| AXLES | MERIDA EXPERT TR |
| TIRES | Maxxis Dissector / Maxxis Minion DHR II |
| FENDER | MERIDA MTB lite-front |



ONE-TWENTY 7000

BLACK/DARK SILVER

CFA Carbon front triangle incorporating 'Nano Matrix' technology for additional impact resistance paired with a hydroformed 6066 triple butted aluminium rear end. 'Smart Entry' cable clamping system for rattle free running. Tapered head tube for precise steering and Boost standard rear through axle for rear end stiffness. Floating rear shock provides 120 mm of travel.

| XC/MARATHON | TRAIL | ALL MOUNTAIN | ENDURO |



| | |
|-----------------------|----------------------------------------------------------------------------------------------------------------------------------------------------|
| FRAME | ONE-TWENTY CFA, 120mm suspension travel, material: carbon/aluminium, 29x2.35" max. wheelsize, 148x12mm axle standard, BB92 bottom bracket standard |
| FRAME SIZE | S, M, L, XL |
| FORK | Fox Rhythm 34 Float, Air, 130mm suspension travel, Tapered, 44mm fork offset, 29x2.5" max. wheelsize |
| SHOCK | Fox Performance Float DPS, lockout |
| BRAKES | Shimano XT |
| ROTORS | Shimano RT-MT800 |
| HEADSET | FSA NO.47/50 |
| HANDLEBAR | MERIDA EXPERT TR, material: aluminium, 780mm width, 20mm rise |
| HANDLEBAR STEM | MERIDA EXPERT TR, material: aluminium, 35mm diameter, 0° stem angle |
| GRIP | MERIDA EXPERT EC |
| DERAILLEUR (R) | Shimano XT M8100 Shadow+, SGS |
| SHIFTERS | Shimano SL -MT800-IL / Shimano XT |
| SEAT POST | MERIDA EXPERT TR, 30.9mm diameter, 0mm setback, S: 125mm travel seatpost - M 150mm travel seatpost - L/XL 170mm travel seatpost |
| SEAT CLAMP | MERIDA EXPERT |
| SADDLE | MERIDA EXPERT CC |
| CHAIN | Shimano XT |

| | |
|-----------------------|-----------------------------------------------------------------------------------------------------------------|
| CHAINWHEEL | Shimano XT, 32 teeth |
| FREEWHEEL | Shimano XT, 10-51 teeth, 12 speed |
| BOTTOM BRACKET | Shimano MT800-PA pressfit |
| RIM | MERIDA EXPERT TR, 29mm inner width, material: aluminium, Tubeless ready (tubeless tape and valves not included) |
| HUBS | Shimano XT |
| AXLES | MERIDA EXPERT TR |
| SPOKES | Double Butted Black stainless |
| TIRES | Maxxis Dissector / Maxxis Minion DHR II |
| FENDER | MERIDA MTB lite-front |



ONE-TWENTY 7000

SILK GREEN/LIME

CFA Carbon front triangle incorporating 'Nano Matrix' technology for additional impact resistance paired with a hydroformed 6066 triple butted aluminium rear end. 'Smart Entry' cable clamping system for rattle free running. Tapered head tube for precise steering and Boost standard rear through axle for rear end stiffness. Floating rear shock provides 120 mm of travel.

| XC/MARATHON | TRAIL | ALL MOUNTAIN | ENDURO |



| | |
|-----------------------|----------------------------------------------------------------------------------------------------------------------------------------------------|
| FRAME | ONE-TWENTY CFA, 120mm suspension travel, material: carbon/aluminium, 29x2.35" max. wheelsize, 148x12mm axle standard, BB92 bottom bracket standard |
| FRAME SIZE | S, M, L, XL |
| FORK | Fox Rhythm 34 Float, Air, 130mm suspension travel, Tapered, 44mm fork offset, 29x2.5" max. wheelsize |
| SHOCK | Fox Performance Float DPS, lockout |
| BRAKES | Shimano XT |
| ROTORS | Shimano RT-MT800 |
| HEADSET | FSA NO.47/50 |
| HANDLEBAR | MERIDA EXPERT TR, material: aluminium, 780mm width, 20mm rise |
| HANDLEBAR STEM | MERIDA EXPERT TR, material: aluminium, 35mm diameter, 0° stem angle |
| GRIP | MERIDA EXPERT EC |
| DERAILLEUR (R) | Shimano XT M8100 Shadow+, SGS |
| SHIFTERS | Shimano SL -MT800-IL / Shimano XT |
| SEAT POST | MERIDA EXPERT TR, 30.9mm diameter, 0mm setback, S: 125mm travel seatpost - M 150mm travel seatpost - L/XL 170mm travel seatpost |
| SEAT CLAMP | MERIDA EXPERT |
| SADDLE | MERIDA EXPERT CC |
| CHAIN | Shimano XT |

| | |
|-----------------------|-----------------------------------------------------------------------------------------------------------------|
| CHAINWHEEL | Shimano XT, 32 teeth |
| FREEWHEEL | Shimano XT, 10-51 teeth, 12 speed |
| BOTTOM BRACKET | Shimano MT800-PA pressfit |
| RIM | MERIDA EXPERT TR, 29mm inner width, material: aluminium, Tubeless ready (tubeless tape and valves not included) |
| HUBS | Shimano XT |
| AXLES | MERIDA EXPERT TR |
| SPOKES | Double Butted Black stainless |
| TIRES | Maxxis Dissector / Maxxis Minion DHR II |
| FENDER | MERIDA MTB lite-front |



ONE-TWENTY 3000

BLACK/DARK SILVER

CFA Carbon front triangle incorporating 'Nano Matrix' technology for additional impact resistance paired with a hydroformed 6066 triple butted aluminium rear end. 'Smart Entry' cable clamping system for rattle free running. Tapered head tube for precise steering and Boost standard rear through axle for rear end stiffness. Floating rear shock provides 120 mm of travel.

| XC/MARATHON | TRAIL | ALL MOUNTAIN | ENDURO |



| | |
|-----------------------|----------------------------------------------------------------------------------------------------------------------------------------------------|
| FRAME | ONE-TWENTY CFA, 120mm suspension travel, material: carbon/aluminium, 29x2.35" max. wheelsize, 148x12mm axle standard, BB92 bottom bracket standard |
| FRAME SIZE | S, M, L, XL |
| FORK | Marzocchi Z2, Air, 130mm suspension travel, Tapered, 44mm fork offset, 29x2.6" max. wheelsize |
| SHOCK | Rock Shox Deluxe Select+, lockout |
| BRAKES | Shimano M6100 |
| ROTORS | Shimano RT54 |
| HEADSET | FSA NO.47/50 |
| HANDLEBAR | MERIDA EXPERT TR, material: aluminium, 760mm width, 20mm rise |
| HANDLEBAR STEM | MERIDA EXPERT TR, material: aluminium, 35mm diameter, 0° stem angle |
| GRIP | MERIDA EXPERT EC |
| DERAILLEUR (R) | Shimano XT M8100 Shadow+, SGS |
| SHIFTERS | Shimano SL -MT500-IL / Shimano Deore M6100 |
| SEAT POST | MERIDA COMP TR, 30.9mm diameter, 0mm setback, S: 100mm travel seatpost - M: 125mm travel seatpost - L/XL: 150mm travel seatpost |
| SEAT CLAMP | MERIDA EXPERT |
| SADDLE | MERIDA EXPERT CC |
| CHAIN | KMC X12 |

| | |
|-----------------------|-----------------------------------------------------------------------------------------------------------------|
| CHAINWHEEL | Shimano Deore M6100, 32 teeth |
| FREEWHEEL | Shimano Deore M6100, 10-51 teeth, 12 speed |
| BOTTOM BRACKET | Shimano MT500-PA pressfit |
| RIM | MERIDA EXPERT TR, 29mm inner width, material: aluminium, Tubeless ready (tubeless tape and valves not included) |
| HUBS | Shimano MT400-B / Shimano MT410-B |
| AXLES | MERIDA EXPERT TR |
| SPOKES | Double Butted Black stainless |
| TIRES | Maxxis Dissector / Maxxis Minion DHR II |
| FENDER | MERIDA MTB lite-front |



ONE-TWENTY 3000

GLOSSY RACE RED/BLACK

CFA Carbon front triangle incorporating 'Nano Matrix' technology for additional impact resistance paired with a hydroformed 6066 triple butted aluminium rear end. 'Smart Entry' cable clamping system for rattle free running. Tapered head tube for precise steering and Boost standard rear through axle for rear end stiffness. Floating rear shock provides 120 mm of travel.

| XC/MARATHON | TRAIL | ALL MOUNTAIN | ENDURO |



| | |
|-----------------------|----------------------------------------------------------------------------------------------------------------------------------------------------|
| FRAME | ONE-TWENTY CFA, 120mm suspension travel, material: carbon/aluminium, 29x2.35" max. wheelsize, 148x12mm axle standard, BB92 bottom bracket standard |
| FRAME SIZE | S, M, L, XL |
| FORK | Marzocchi Z2, Air, 130mm suspension travel, Tapered, 44mm fork offset, 29x2.6" max. wheelsize |
| SHOCK | Rock Shox Deluxe Select+, lockout |
| BRAKES | Shimano M6100 |
| ROTORS | Shimano RT54 |
| HEADSET | FSA NO.47/50 |
| HANDLEBAR | MERIDA EXPERT TR, material: aluminium, 760mm width, 20mm rise |
| HANDLEBAR STEM | MERIDA EXPERT TR, material: aluminium, 35mm diameter, 0° stem angle |
| GRIP | MERIDA EXPERT EC |
| DERAILLEUR (R) | Shimano XT M8100 Shadow+, SGS |
| SHIFTERS | Shimano SL -MT500-IL / Shimano Deore M6100 |
| SEAT POST | MERIDA COMP TR, 30.9mm diameter, 0mm setback, S: 100mm travel seatpost - M: 125mm travel seatpost - L/XL: 150mm travel seatpost |
| SEAT CLAMP | MERIDA EXPERT |
| SADDLE | MERIDA EXPERT CC |
| CHAIN | KMC X12 |

| | |
|-----------------------|-----------------------------------------------------------------------------------------------------------------|
| CHAINWHEEL | Shimano Deore M6100, 32 teeth |
| FREEWHEEL | Shimano Deore M6100, 10-51 teeth, 12 speed |
| BOTTOM BRACKET | Shimano MT500-PA pressfit |
| RIM | MERIDA EXPERT TR, 29mm inner width, material: aluminium, Tubeless ready (tubeless tape and valves not included) |
| HUBS | Shimano MT400-B / Shimano MT410-B |
| AXLES | MERIDA EXPERT TR |
| SPOKES | Double Butted Black stainless |
| TIRES | Maxxis Dissector / Maxxis Minion DHR II |
| FENDER | MERIDA MTB lite-front |



ONE-TWENTY 700

MATT GREY/GLOSSY BLACK

LITE Lightweight 6066 series aluminium triple butted and hydroformed frameset with 'Smooth welding' and internal cable routing. Tapered head tube for precise steering, Boost standard and rear through axle for rear end stiffness. Floating shock provides 120 mm of travel.

| XC/MARATHON | TRAIL | ALL MOUNTAIN | ENDURO |



| | |
|-----------------------|----------------------------------------------------------------------------------------------------------------------------------------------|
| FRAME | ONE-TWENTY LITE, 120mm suspension travel, material: aluminium, 29x2.35" max. wheelsize, 148x12mm axle standard, BB92 bottom bracket standard |
| FRAME SIZE | S, M, L, XL |
| FORK | Fox Rhythm 34 Float, Air, 130mm suspension travel, Tapered, 44mm fork offset, 29x2.5" max. wheelsize |
| SHOCK | Fox Performance Float DPS, lockout |
| BRAKES | Shimano SLX M7120 |
| ROTORS | Shimano RT54 |
| HEADSET | FSA NO.47/50 |
| HANDLEBAR | MERIDA EXPERT TR, material: aluminium, 760mm width, 20mm rise |
| HANDLEBAR STEM | MERIDA EXPERT TR, material: aluminium, 35mm diameter, 0° stem angle |
| GRIP | MERIDA EXPERT EC |
| DERAILLEUR (R) | Shimano XT M8100 Shadow+, SGS |
| SHIFTERS | Shimano SL -MT500-IL / Shimano XT |
| SEAT POST | MERIDA EXPERT TR, 30.9mm diameter, 0mm setback, S: 125mm travel seatpost - M 150mm travel seatpost - L/XL 170mm travel seatpost |
| SEAT CLAMP | MERIDA EXPERT |
| SADDLE | MERIDA EXPERT CC |
| CHAIN | KMC X12 |

| | |
|-----------------------|-----------------------------------------------------------------------------------------------------------------|
| CHAINWHEEL | Race Face Aeffect, 32 teeth |
| FREEWHEEL | Shimano Deore M6100, 10-51 teeth, 12 speed |
| BOTTOM BRACKET | Race Face BB BB92- Ø24mm |
| RIM | MERIDA EXPERT TR, 29mm inner width, material: aluminium, Tubeless ready (tubeless tape and valves not included) |
| HUBS | Shimano SLX |
| AXLES | MERIDA EXPERT TR |
| SPOKES | Double Butted Black stainless |
| TIRES | Maxxis Dissector / Maxxis Minion DHR II |
| FENDER | MERIDA MTB lite-front |



ONE-TWENTY 700

GREEN/DARK GREEN

LITE Lightweight 6066 series aluminium triple butted and hydroformed frameset with 'Smooth welding' and internal cable routing. Tapered head tube for precise steering, Boost standard and rear through axle for rear end stiffness. Floating shock provides 120 mm of travel.

| XC/MARATHON | TRAIL | ALL MOUNTAIN | ENDURO |



| | |
|-----------------------|----------------------------------------------------------------------------------------------------------------------------------------------|
| FRAME | ONE-TWENTY LITE, 120mm suspension travel, material: aluminium, 29x2.35" max. wheelsize, 148x12mm axle standard, BB92 bottom bracket standard |
| FRAME SIZE | S, M, L, XL |
| FORK | Fox Rhythm 34 Float, Air, 130mm suspension travel, Tapered, 44mm fork offset, 29x2.5" max. wheelsize |
| SHOCK | Fox Performance Float DPS, lockout |
| BRAKES | Shimano SLX M7120 |
| ROTORS | Shimano RT54 |
| HEADSET | FSA NO.47/50 |
| HANDLEBAR | MERIDA EXPERT TR, material: aluminium, 760mm width, 20mm rise |
| HANDLEBAR STEM | MERIDA EXPERT TR, material: aluminium, 35mm diameter, 0° stem angle |
| GRIP | MERIDA EXPERT EC |
| DERAILLEUR (R) | Shimano XT M8100 Shadow+, SGS |
| SHIFTERS | Shimano SL -MT500-IL / Shimano XT |
| SEAT POST | MERIDA EXPERT TR, 30.9mm diameter, 0mm setback, S: 125mm travel seatpost - M 150mm travel seatpost - L/XL 170mm travel seatpost |
| SEAT CLAMP | MERIDA EXPERT |
| SADDLE | MERIDA EXPERT CC |
| CHAIN | KMC X12 |

| | |
|-----------------------|-----------------------------------------------------------------------------------------------------------------|
| CHAINWHEEL | Race Face Aeffect, 32 teeth |
| FREEWHEEL | Shimano Deore M6100, 10-51 teeth, 12 speed |
| BOTTOM BRACKET | Race Face BB BB92- Ø24mm |
| RIM | MERIDA EXPERT TR, 29mm inner width, material: aluminium, Tubeless ready (tubeless tape and valves not included) |
| HUBS | Shimano SLX |
| AXLES | MERIDA EXPERT TR |
| SPOKES | Double Butted Black stainless |
| TIRES | Maxxis Dissector / Maxxis Minion DHR II |
| FENDER | MERIDA MTB lite-front |



ONE-TWENTY 600

MATT GREY/GLOSSY BLACK

LITE Lightweight 6066 series aluminium triple butted and hydroformed frameset with 'Smooth welding' and internal cable routing. Tapered head tube for precise steering, Boost standard and rear through axle for rear end stiffness. Floating shock provides 120 mm of travel.

| XC/MARATHON | TRAIL | ALL MOUNTAIN | ENDURO |



| | |
|-----------------------|----------------------------------------------------------------------------------------------------------------------------------------------|
| FRAME | ONE-TWENTY LITE, 120mm suspension travel, material: aluminium, 29x2.35" max. wheelsize, 148x12mm axle standard, BB92 bottom bracket standard |
| FRAME SIZE | S, M, L, XL |
| FORK | Marzocchi Z2, Air, 130mm suspension travel, Tapered, 44mm fork offset, 29x2.6" max. wheelsize |
| SHOCK | Rock Shox Deluxe Select+, lockout |
| BRAKES | Shimano M6100 |
| ROTORS | Shimano RT30 |
| HEADSET | FSA NO.47/50 |
| HANDLEBAR | MERIDA EXPERT TR, material: aluminium, 760mm width, 20mm rise |
| HANDLEBAR STEM | MERIDA EXPERT TR, material: aluminium, 35mm diameter, 0° stem angle |
| GRIP | MERIDA COMP EC |
| DERAILLEUR (R) | Shimano XT M8100 Shadow+, SGS |
| SHIFTERS | Shimano SL -MT500-IL / Shimano Deore M6100 |
| SEAT POST | MERIDA COMP TR, 30.9mm diameter, 0mm setback, S: 100mm travel seatpost - M: 125mm travel seatpost - L/XL: 150mm travel seatpost |
| SEAT CLAMP | MERIDA EXPERT |
| SADDLE | MERIDA COMP CC |
| CHAINWHEEL | Race Face Ride, 32 teeth |

| | |
|-----------------------|-----------------------------------------------------------------------------------------------------------------|
| FREEWHEEL | Shimano Deore M6100, 10-51 teeth, 12 speed |
| BOTTOM BRACKET | Race Face BB BB92- Ø24mm |
| RIM | MERIDA EXPERT TR, 29mm inner width, material: aluminium, Tubeless ready (tubeless tape and valves not included) |
| HUBS | Shimano MT400-B / Shimano MT410-B |
| WHEELSET | KMC X12 |
| AXLES | MERIDA EXPERT TR |
| SPOKES | Double Butted Black stainless |
| TIRES | Maxxis Forekaster |



ONE-TWENTY 600

DARK BLUE (RED/SILVER-BLUE)

LITE Lightweight 6066 series aluminium triple butted and hydroformed frameset with 'Smooth welding' and internal cable routing. Tapered head tube for precise steering, Boost standard and rear through axle for rear end stiffness. Floating shock provides 120 mm of travel.

| XC/MARATHON | TRAIL | ALL MOUNTAIN | ENDURO |



| | |
|-----------------------|----------------------------------------------------------------------------------------------------------------------------------------------|
| FRAME | ONE-TWENTY LITE, 120mm suspension travel, material: aluminium, 29x2.35" max. wheelsize, 148x12mm axle standard, BB92 bottom bracket standard |
| FRAME SIZE | S, M, L, XL |
| FORK | Marzocchi Z2, Air, 130mm suspension travel, Tapered, 44mm fork offset, 29x2.6" max. wheelsize |
| SHOCK | Rock Shox Deluxe Select+, lockout |
| BRAKES | Shimano M6100 |
| ROTORS | Shimano RT30 |
| HEADSET | FSA NO.47/50 |
| HANDLEBAR | MERIDA EXPERT TR, material: aluminium, 760mm width, 20mm rise |
| HANDLEBAR STEM | MERIDA EXPERT TR, material: aluminium, 35mm diameter, 0° stem angle |
| GRIP | MERIDA COMP EC |
| DERAILLEUR (R) | Shimano XT M8100 Shadow+, SGS |
| SHIFTERS | Shimano SL -MT500-IL / Shimano Deore M6100 |
| SEAT POST | MERIDA COMP TR, 30.9mm diameter, 0mm setback, S: 100mm travel seatpost - M: 125mm travel seatpost - L/XL: 150mm travel seatpost |
| SEAT CLAMP | MERIDA EXPERT |
| SADDLE | MERIDA COMP CC |
| CHAINWHEEL | Race Face Ride, 32 teeth |

| | |
|-----------------------|-----------------------------------------------------------------------------------------------------------------|
| FREEWHEEL | Shimano Deore M6100, 10-51 teeth, 12 speed |
| BOTTOM BRACKET | Race Face BB BB92- Ø24mm |
| RIM | MERIDA EXPERT TR, 29mm inner width, material: aluminium, Tubeless ready (tubeless tape and valves not included) |
| HUBS | Shimano MT400-B / Shimano MT410-B |
| WHEELSET | KMC X12 |
| AXLES | MERIDA EXPERT TR |
| SPOKES | Double Butted Black stainless |
| TIRES | Maxxis Forekaster |



ONE-TWENTY 600

MATT DARK PURPLE (PURPLE-SILVER)

LITE Lightweight 6066 series aluminium triple butted and hydroformed frameset with 'Smooth welding' and internal cable routing. Tapered head tube for precise steering, Boost standard and rear through axle for rear end stiffness. Floating shock provides 120 mm of travel.

| XC/MARATHON | TRAIL | ALL MOUNTAIN | ENDURO |



| | |
|-----------------------|----------------------------------------------------------------------------------------------------------------------------------------------|
| FRAME | ONE-TWENTY LITE, 120mm suspension travel, material: aluminium, 29x2.35" max. wheelsize, 148x12mm axle standard, BB92 bottom bracket standard |
| FRAME SIZE | S, M, L, XL |
| FORK | Marzocchi Z2, Air, 130mm suspension travel, Tapered, 44mm fork offset, 29x2.6" max. wheelsize |
| SHOCK | Rock Shox Deluxe Select+, lockout |
| BRAKES | Shimano M6100 |
| ROTORS | Shimano RT30 |
| HEADSET | FSA NO.47/50 |
| HANDLEBAR | MERIDA EXPERT TR, material: aluminium, 760mm width, 20mm rise |
| HANDLEBAR STEM | MERIDA EXPERT TR, material: aluminium, 35mm diameter, 0° stem angle |
| GRIP | MERIDA COMP EC |
| DERAILLEUR (R) | Shimano XT M8100 Shadow+, SGS |
| SHIFTERS | Shimano SL -MT500-IL / Shimano Deore M6100 |
| SEAT POST | MERIDA COMP TR, 30.9mm diameter, 0mm setback, S: 100mm travel seatpost - M: 125mm travel seatpost - L/XL: 150mm travel seatpost |
| SEAT CLAMP | MERIDA EXPERT |
| SADDLE | MERIDA COMP CC |
| CHAINWHEEL | Race Face Ride, 32 teeth |

| | |
|-----------------------|-----------------------------------------------------------------------------------------------------------------|
| FREEWHEEL | Shimano Deore M6100, 10-51 teeth, 12 speed |
| BOTTOM BRACKET | Race Face BB BB92- Ø24mm |
| RIM | MERIDA EXPERT TR, 29mm inner width, material: aluminium, Tubeless ready (tubeless tape and valves not included) |
| HUBS | Shimano MT400-B / Shimano MT410-B |
| WHEELSET | KMC X12 |
| AXLES | MERIDA EXPERT TR |
| SPOKES | Double Butted Black stainless |
| TIRES | Maxxis Forekaster |



ONE-TWENTY 400

MATT GREY/GLOSSY BLACK

LITE Lightweight 6066 series aluminium triple butted and hydroformed frameset with 'Smooth welding' and internal cable routing. Tapered head tube for precise steering, Boost standard and rear through axle for rear end stiffness. Floating shock provides 120 mm of travel.

| XC/MARATHON | TRAIL | ALL MOUNTAIN | ENDURO |



| | |
|-------------------|----------------------------------------------------------------------------------------------------------------------------------------------|
| FRAME | ONE-TWENTY LITE, 120mm suspension travel, material: aluminium, 29x2.35" max. wheelsize, 148x12mm axle standard, BB92 bottom bracket standard |
| FRAME SIZE | S, M, L, XL |
| FORK | Suntour XCR34 LOR, Air, 130mm suspension travel, Tapered, lockout, 51mm fork offset, 29x2.4" max. wheelsize |
| SHOCK | Suntour Unair TR LOR8, lockout |
| BRAKES | Tektro M275 |
| ROTORS | Shimano RT10 |
| HEADSET | FSA NO.47/50 |
| HANDLEBAR | MERIDA EXPERT CC, material: aluminium, 740mm width, 10mm rise |
| GRIP | MERIDA COMP EC |
| SHIFTERS | Shimano SL -MT500-IL / Shimano Deore M5100 |
| SEAT POST | MERIDA COMP TR, 30.9mm diameter, 0mm setback, S: 100mm travel seatpost - M: 125mm travel seatpost - L/XL: 150mm travel seatpost |
| SEAT CLAMP | MERIDA EXPERT |
| SADDLE | MERIDA COMP CC |
| CHAIN | KMC X11 NPBK |
| CHAINWHEEL | Shimano Deore M5100, 32 teeth |
| FREEWHEEL | Shimano Deore M5100, 11-51 teeth, 11 speed |

| | |
|-----------------------|---------------------------------------------------------------------|
| BOTTOM BRACKET | Shimano MT500-PA pressfit |
| RIM | MERIDA COMP CC, 20mm inner width, material: aluminium |
| HUBS | Shimano MT400-B |
| WHEELSET | MERIDA COMP CC, material: aluminium, 31.8mm diameter, 6° stem angle |
| AXLES | MERIDA COMP TR |
| SPOKES | Black stainless |
| TIRES | Maxxis Rekon |



ONE-TWENTY 400

ORANGE (BLACK)

LITE Lightweight 6066 series aluminium triple butted and hydroformed frameset with 'Smooth welding' and internal cable routing. Tapered head tube for precise steering, Boost standard and rear through axle for rear end stiffness. Floating shock provides 120 mm of travel.

| XC/MARATHON | TRAIL | ALL MOUNTAIN | ENDURO |



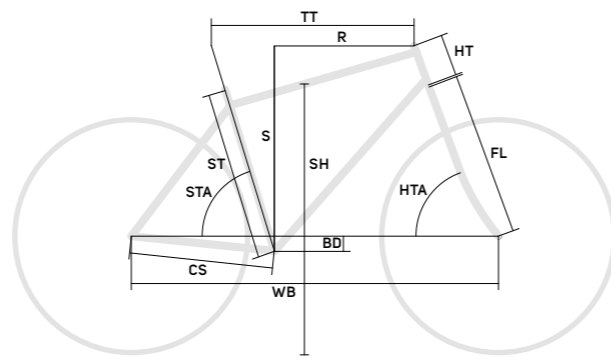
| | |
|-------------------|----------------------------------------------------------------------------------------------------------------------------------------------|
| FRAME | ONE-TWENTY LITE, 120mm suspension travel, material: aluminium, 29x2.35" max. wheelsize, 148x12mm axle standard, BB92 bottom bracket standard |
| FRAME SIZE | S, M, L, XL |
| FORK | Suntour XCR34 LOR, Air, 130mm suspension travel, Tapered, lockout, 51mm fork offset, 29x2.4" max. wheelsize |
| SHOCK | Suntour Unair TR LOR8, lockout |
| BRAKES | Tektro M275 |
| ROTORS | Shimano RT10 |
| HEADSET | FSA NO.47/50 |
| HANDLEBAR | MERIDA EXPERT CC, material: aluminium, 740mm width, 10mm rise |
| GRIP | MERIDA COMP EC |
| SHIFTERS | Shimano SL -MT500-IL / Shimano Deore M5100 |
| SEAT POST | MERIDA COMP TR, 30.9mm diameter, 0mm setback, S: 100mm travel seatpost - M: 125mm travel seatpost - L/XL: 150mm travel seatpost |
| SEAT CLAMP | MERIDA EXPERT |
| SADDLE | MERIDA COMP CC |
| CHAIN | KMC X11 NPBK |
| CHAINWHEEL | Shimano Deore M5100, 32 teeth |
| FREEWHEEL | Shimano Deore M5100, 11-51 teeth, 11 speed |

| | |
|-----------------------|---------------------------------------------------------------------|
| BOTTOM BRACKET | Shimano MT500-PA pressfit |
| RIM | MERIDA COMP CC, 20mm inner width, material: aluminium |
| HUBS | Shimano MT400-B |
| WHEELSET | MERIDA COMP CC, material: aluminium, 31.8mm diameter, 6° stem angle |
| AXLES | MERIDA COMP TR |
| SPOKES | Black stainless |
| TIRES | Maxxis Rekon |



ONE-TWENTY

GEOMETRIES



ONE-TWENTY CF4

| FS Frame Size | S(16") | M(17.5") | L(19") | XL(20.5") |
|-----------------------------|--------|----------|--------|-----------|
| TS Tire Size | 29" | 29" | 29" | 29" |
| ST seat tube [mm] | 400 | 440 | 480 | 520 |
| TT top tube [mm] | 572 | 592 | 614 | 637 |
| CS chain stay length [mm] | 435 | 435 | 435 | 435 |
| HTA head tube angle [°] | 67.3 | 67.3 | 67.3 | 67.3 |
| STA seat tube angle [°] | 75.5 | 75.5 | 75.5 | 75.5 |
| BD bottom bracket drop [mm] | 40 | 40 | 40 | 40 |
| HT head tube [mm] | 95 | 95 | 105 | 115 |
| FL fork length [mm] | 541 | 541 | 541 | 541 |
| R reach [mm] | 415 | 435 | 455 | 475 |
| S stack [mm] | 607 | 607 | 616 | 626 |
| WB wheel base [mm] | 1141 | 1160.7 | 1185 | 1208 |
| SH stand over height [mm] | 703 | 718 | 745 | 770 |

ONE-TWENTY RC LITE

| FS Frame Size | S | M | L | XL |
|-----------------------------|------|------|------|-------|
| TS Tire Size | 29" | 29" | 29" | 29" |
| ST seat tube [mm] | 400 | 440 | 480 | 520 |
| TT top tube [mm] | 571 | 591 | 613 | 635.5 |
| CS chain stay length [mm] | 435 | 435 | 435 | 435 |
| HTA head tube angle [°] | 67.8 | 67.8 | 67.8 | 67.8 |
| STA seat tube angle [°] | 76 | 76 | 76 | 76 |
| BD bottom bracket drop [mm] | 44 | 44 | 44 | 44 |
| HT head tube [mm] | 95 | 95 | 105 | 115 |
| FL fork length [mm] | 531 | 531 | 531 | 531 |
| R reach [mm] | 420 | 440 | 460 | 480 |
| S stack [mm] | 604 | 604 | 613 | 622 |
| WB wheel base [mm] | 1137 | 1157 | 1181 | 1205 |
| SH stand over height [mm] | 703 | 725 | 755 | 783 |

ONE-TWENTY CFA

| FS Frame Size | S(16") | M(17.5") | L(19") | XL(20.5") |
|-----------------------------|--------|----------|--------|-----------|
| TS Tire Size | 29" | 29" | 29" | 29" |
| ST seat tube [mm] | 400 | 440 | 480 | 520 |
| TT top tube [mm] | 572 | 592 | 614 | 637 |
| CS chain stay length [mm] | 435 | 435 | 435 | 435 |
| HTA head tube angle [°] | 67.3 | 67.3 | 67.3 | 67.3 |
| STA seat tube angle [°] | 75.5 | 75.5 | 75.5 | 75.5 |
| BD bottom bracket drop [mm] | 40 | 40 | 40 | 40 |
| HT head tube [mm] | 95 | 95 | 105 | 115 |
| FL fork length [mm] | 541 | 541 | 541 | 541 |
| R reach [mm] | 415 | 435 | 455 | 475 |
| S stack [mm] | 607 | 607 | 616 | 626 |
| WB wheel base [mm] | 1141 | 1160.7 | 1185 | 1208 |
| SH stand over height [mm] | 703 | 718 | 745 | 770 |

ONE-TWENTY LITE

| FS Frame Size | S(16") | M(17.5") | S(16") | M(17.5") | L(19") | XL(20.5") |
|-----------------------------|--------|----------|--------|----------|--------|-----------|
| TS Tire Size | 27.5" | 27.5" | 29" | 29" | 29" | 29" |
| ST seat tube [mm] | 400 | 440 | 400 | 440 | 480 | 520 |
| TT top tube [mm] | 571 | 593 | 572 | 592 | 614 | 637 |
| CS chain stay length [mm] | 430 | 430 | 435 | 435 | 435 | 435 |
| HTA head tube angle [°] | 66.8 | 66.8 | 67.3 | 67.3 | 67.3 | 67.3 |
| STA seat tube angle [°] | 75 | 75 | 75.5 | 75.5 | 75.5 | 75.5 |
| BD bottom bracket drop [mm] | 21 | 21 | 40 | 40 | 40 | 40 |
| HT head tube [mm] | 105 | 115 | 95 | 95 | 105 | 115 |
| FL fork length [mm] | 522 | 522 | 541 | 541 | 541 | 541 |
| R reach [mm] | 415 | 435 | 415 | 435 | 455 | 475 |
| S stack [mm] | 581 | 590 | 607 | 607 | 616 | 626 |
| WB wheel base [mm] | 1130 | 1154 | 1141 | 1161 | 1185 | 1208 |
| SH stand over height [mm] | 698 | 726 | 707 | 730 | 759 | 787 |

FRAME INTERFACES

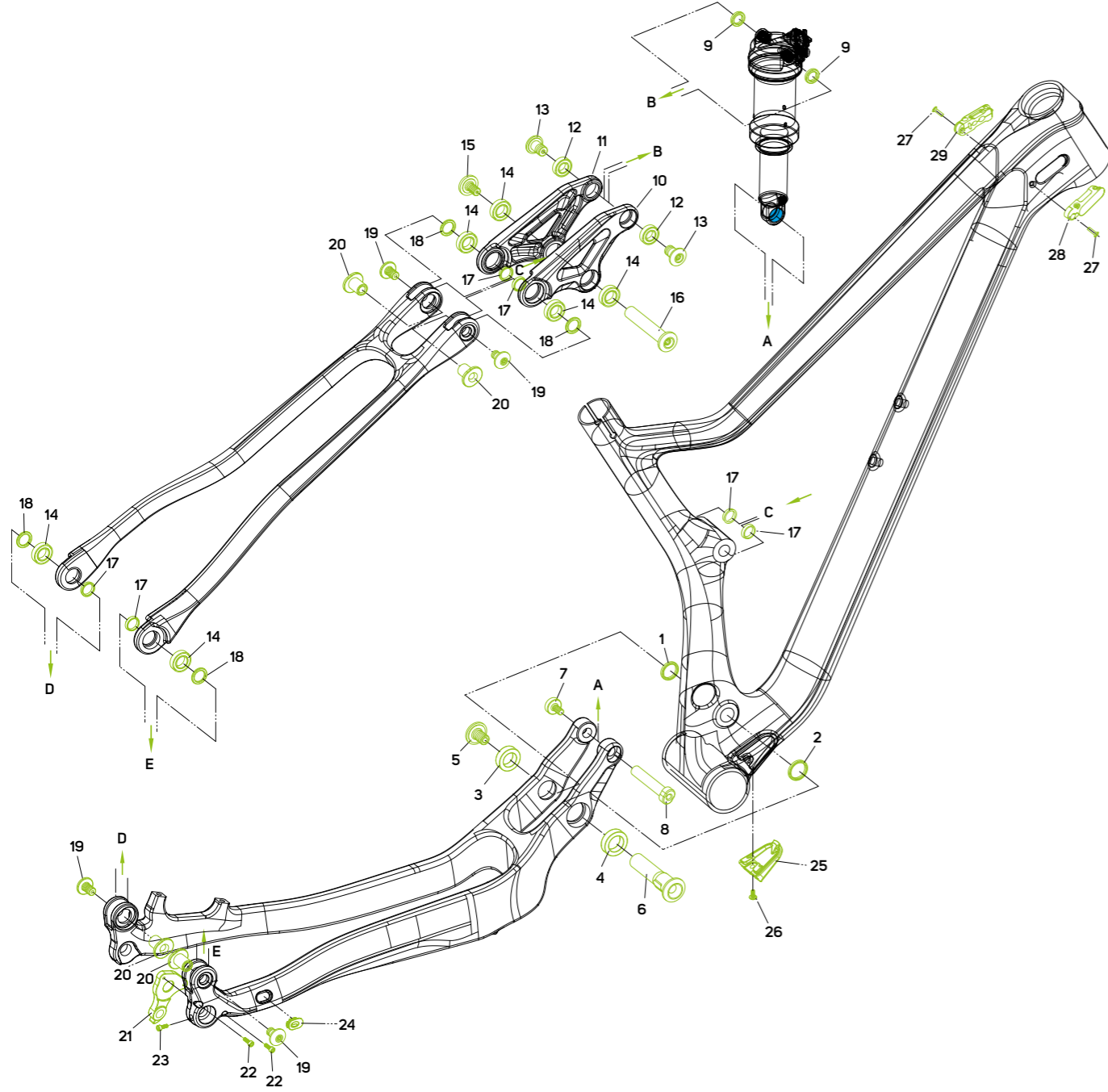
| | CF4 | CFA | (RC) LITE |
|------------------------------|---------------------|---------------------|-----------------------|
| MAX. WHEELSIZE | 29x2.35" | 29x2.35" | 27.5x2.35" / 29x2.35" |
| MAX. CHAINRING | 1x34T | 1x34T; 2x36/26T | 1x34T; 2x36/26T |
| HEAD TUBE | | | |
| 11/8" & 1 1/2" | • | • | • |
| HEADSET | | | |
| INTEGRATED | • | • | • |
| BRAKE STANDARD | | | |
| DISC BRAKE ON CHAIN STAY | • | • | • |
| POST MOUNT 180 mm REAR BRAKE | • | • | • |
| BB-STANDARD | | | |
| BB 92 | • | • | • |
| SEATPOST DIAMETER | | | |
| 30.9 mm | • | • | • |
| REAR DROPOUT-STANDARD | | | |
| THRU AXLE 12x148 mm | • | • | • |
| CABLE ROUTING | | | |
| INTERNAL SHIFTING CABLES | • | • | • |
| INTERNAL BRAKE CABLE | • | • | • |
| INTERNAL SEAT POST CABLE | • | • | • |
| DI2-READY | • | • | • |
| FD-STANDARD | | | |
| E-TYPE MOUNT | | | • |
| SIDE SWING | | | • |
| FRAME WEIGHT* | 2105g size M +/- 3% | 2560g size M +/- 3% | 3020g size M +/- 3% |
| RD HANGER | DH-053 | DH-053 | DH-053 |

*Frame weight only! Without axle, frame protectors, saddle clamp, hanger, steerer cups and cable guides (weight is also depending on the frame color)



| | SHAFT EYELET | | BODY EYELET | |
|-------------|--------------|--------|-------------|--------|
| mm | PIN WIDTH | PIN ID | PIN WIDTH | PIN ID |
| 185 x 55 mm | - | - | 40 mm | 10 mm |

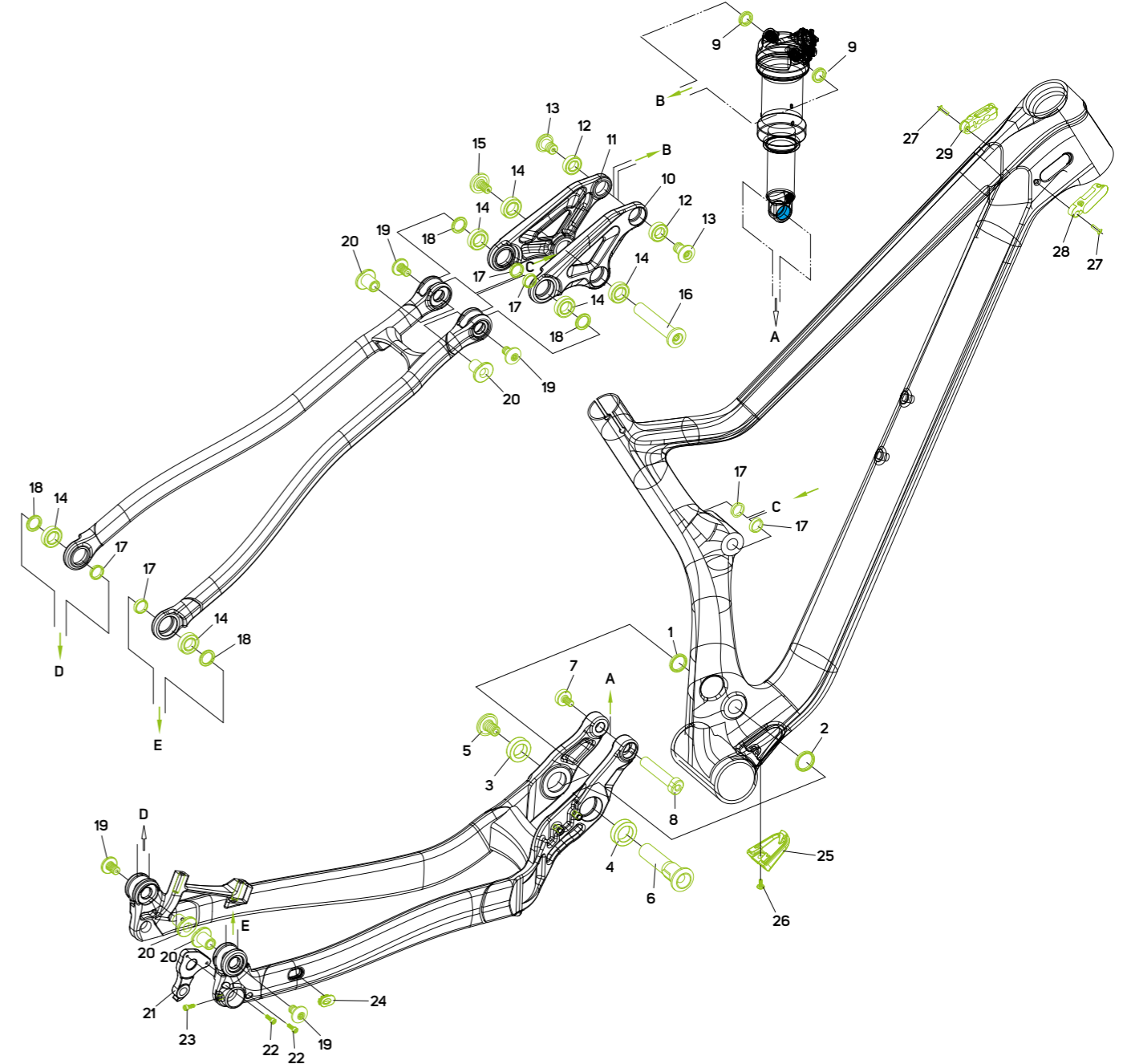
Recommended SAG: 25-30%



| No. | Item No. | Item | Detail information | Pieces | Torque Nm | No. | Item No. | Item | Detail information | Pieces | Torque Nm |
|-----|------------|---------|----------------------|--------|-----------|-----|------------|-------------|-----------------------|--------|-----------|
| 1 | 2294001180 | WASHER | | 1 | | 16 | 2300012941 | BOLT | | 1 | |
| 2 | 2294004882 | WASHER | | 1 | | 17 | 2294002255 | WASHER | | 6 | |
| 3 | 2221002191 | BEARING | 3802V-2RD 24D*15D*7W | 1 | | 18 | 2294004956 | WASHER | | 4 | |
| 4 | 2221002340 | BEARING | 172607V 26D*17D*7W | 1 | | 19 | 2300013254 | SCREW | | 4 | 14 |
| 5 | 2300012907 | SCREW | | 1 | 18 | 20 | 2300013265 | BOLT | | 4 | |
| 6 | 2300012899 | BOLT | | 1 | | 21 | 2311004928 | DROPOUT | DH-053 (see page 608) | 1 | |
| 7 | 2300013812 | SCREW | | 1 | 12 | 22 | 2300009458 | SCREW | | 2 | 4 |
| 8 | 2300013801 | BOLT | | 1 | | 23 | 2300005272 | SCREW | | 1 | 5 |
| 9 | 2294004633 | WASHER | | 2 | | 24 | 2258003801 | CABLE GUIDE | | 1 | |
| 10 | - | ROCKER | | 1 | | 25 | 2258003867 | CABLE GUIDE | | 1 | |
| 11 | - | ROCKER | | 1 | | 26 | 2300012253 | SCREW | | 1 | |
| 12 | 2221002254 | BEARING | 6800V-2RS 19D*10D*5W | 2 | | 27 | 2300011412 | SCREW | | 2 | 4 |
| 13 | 2300012918 | SCREW | | 2 | | 28 | | SMART ENTRY | (see page 606) | | |
| 14 | 2221002265 | BEARING | 6801V-2RS 21D*12D*5W | 6 | | 29 | | SMART ENTRY | (see page 606) | | |
| 15 | 2300012952 | SCREW | | 1 | 14 | | | | | | |

| | SHAFT EYELET | | BODY EYELET | |
|-------------|--------------|--------|-------------|--------|
| mm | PIN WIDTH | PIN ID | PIN WIDTH | PIN ID |
| 185 x 55 mm | - | - | 40 mm | 10 mm |

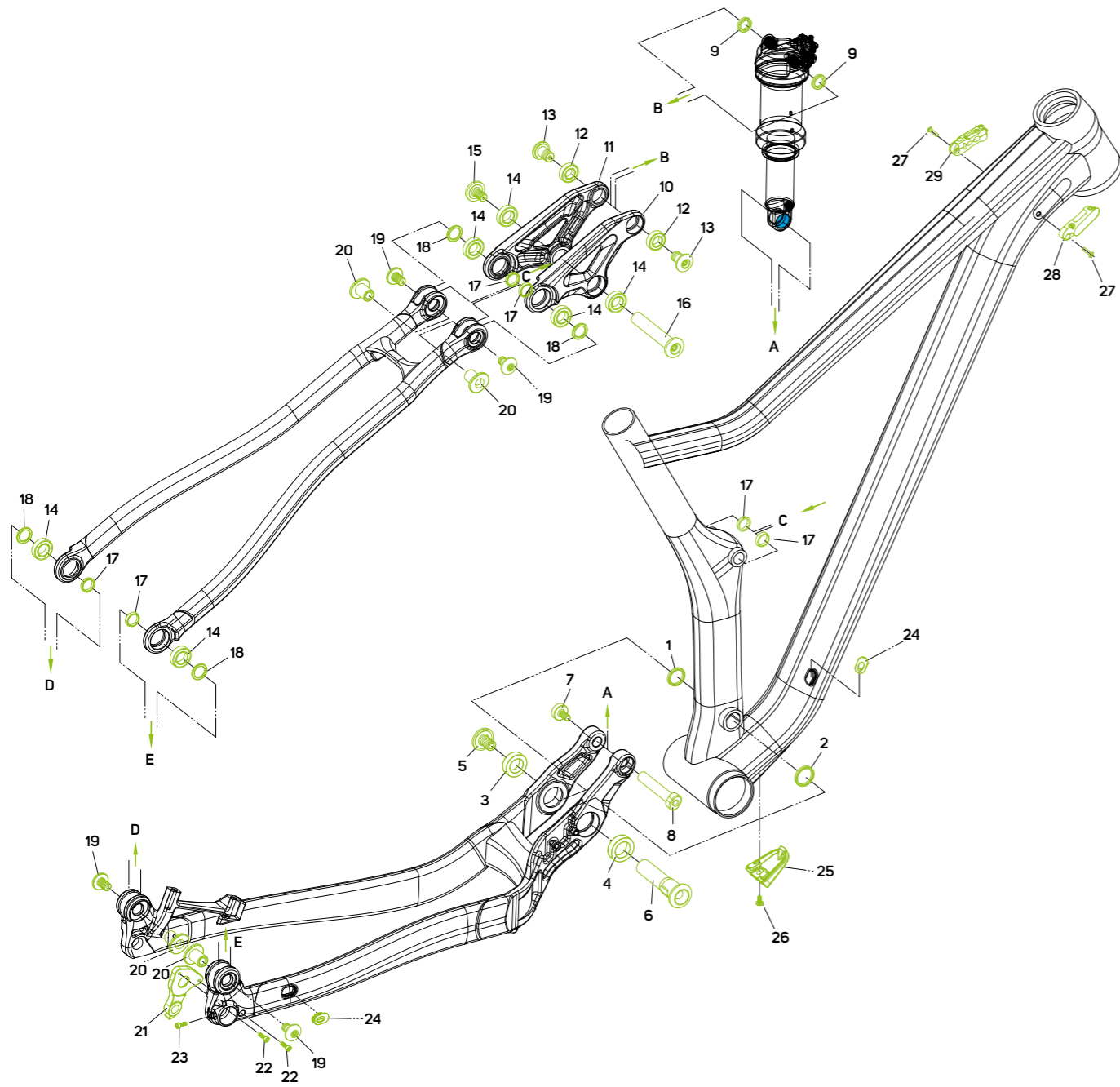
Recommended SAG: 25-30%



| No. | Item No. | Item | Detail information | Pieces | Torque Nm | No. | Item No. | Item | Detail information | Pieces | Torque Nm |
|-----|------------|---------|----------------------|--------|-----------|-----|------------|-------------|-----------------------|--------|-----------|
| 1 | 2294001180 | WASHER | | 1 | | 16 | 2300012941 | BOLT | | 1 | |
| 2 | 2294004882 | WASHER | | 1 | | 17 | 2294002255 | WASHER | | 6 | |
| 3 | 2221002191 | BEARING | 3802V-2RD 24D*15D*7W | 1 | | 18 | 2294004956 | WASHER | | 4 | |
| 4 | 2221002340 | BEARING | 172607V 26D*17D*7W | 1 | | 19 | 2300013254 | SCREW | | 4 | 14 |
| 5 | 2300012907 | SCREW | | 1 | 18 | 20 | 2300013265 | BOLT | | 4 | |
| 6 | 2300012899 | BOLT | | 1 | | 21 | 2311004928 | DROPOUT | DH-053 (see page 608) | 1 | |
| 7 | 2300013812 | SCREW | | 1 | 12 | 22 | 2300009458 | SCREW | | 2 | 4 |
| 8 | 2300013801 | BOLT | | 1 | | 23 | 2300005272 | SCREW | | 1 | 5 |
| 9 | 2294004633 | WASHER | | 2 | | 24 | 2258003812 | CABLE GUIDE | | 1 | |
| 10 | - | ROCKER | | 1 | | 25 | 2258003867 | CABLE GUIDE | | 1 | |
| 11 | - | ROCKER | | 1 | | 26 | 2300012253 | SCREW | | 1 | |
| 12 | 2221002254 | BEARING | 6800V2RS 19D*10D*5W | 2 | | 27 | 2300011412 | SCREW | | 2 | 4 |
| 13 | 2300012918 | SCREW | | 2 | | 28 | | SMART ENTRY | (see page 606) | | |
| 14 | 2221002265 | BEARING | 6801V-2RS 21D*12D*5W | 6 | | 29 | | SMART ENTRY | (see page 606) | | |
| 15 | 2300012952 | SCREW | | 1 | 14 | | | | | | |

| mm | SHAFT EYELET | | BODY EYELET | |
|-------------|--------------|--------|-------------|--------|
| | PIN WIDTH | PIN ID | PIN WIDTH | PIN ID |
| 185 x 55 mm | - | - | 40 mm | 10 mm |

Recommended SAG: 25-30%



| No. | Item No. | Item | Detail information | Pieces | Torque Nm | No. | Item No. | Item | Detail information | Pieces | Torque Nm |
|-----|------------|---------|----------------------|--------|-----------|-----|------------|-------------|-----------------------|--------|-----------|
| 1 | 2294001180 | WASHER | | 1 | | 16 | 2300012941 | BOLT | | 1 | |
| 2 | 2294004882 | WASHER | | 1 | | 17 | 2294002255 | WASHER | | 6 | |
| 3 | 2221002191 | BEARING | 3802V-2RD 24D*15D*7W | 1 | | 18 | 2294004956 | WASHER | | 4 | |
| 4 | 2221002340 | BEARING | 172607V 26D*17D*7W | 1 | | 19 | 2300013254 | SCREW | | 4 | 14 |
| 5 | 2300012907 | SCREW | | 1 | 18 | 20 | 2300013265 | BOLT | | 4 | |
| 6 | 2300012899 | BOLT | | 1 | | 21 | 2311004928 | DROPOUT | DH-053 (see page 608) | 1 | |
| 7 | 2300013812 | SCREW | | 1 | 12 | 22 | 2300009458 | SCREW | | 2 | 4 |
| 8 | 2300013801 | BOLT | | 1 | | 23 | 2300005272 | SCREW | | 1 | 5 |
| 9 | 2294004633 | WASHER | | 2 | | 24 | 2258003812 | CABLE GUIDE | | 2 | |
| 10 | - | ROCKER | | 1 | | 25 | 2258003867 | CABLE GUIDE | | 1 | |
| 11 | - | ROCKER | | 1 | | 26 | 2300012253 | SCREW | | 1 | |
| 12 | 2221002254 | BEARING | 6800V2RS 19D*10D*5W | 2 | | 27 | 2300011412 | SCREW | | 2 | 4 |
| 13 | 2300012918 | SCREW | | 2 | | 28 | | SMART ENTRY | (see page 606) | | |
| 14 | 2221002265 | BEARING | 6801V-2RS 21D*12D*5W | 6 | | 29 | | SMART ENTRY | (see page 606) | | |
| 15 | 2300012952 | SCREW | | 1 | 14 | | | | | | |



ONE-FORTY

ALL MOUNTAIN AND TRAIL FUN

Since its launch in 2018 an instant winner with trail riders and the international cycling press alike. Our 140 mm trail machine was called a bike 'with great pedalling efficiency, brilliant suspension and top fun handling' (MBR), a 'bloody hoot to ride' (FLOW), a bike that 'eagerly surges forward' (IMB) and 'one of the best mid-travel bikes we have ridden' (MBUG). The super supple and active suspension system paired with great pedalling efficiency makes the ONE-FORTY the perfect trail bike for long demanding days in the saddle as well as technical trail sessions.



1

BALANCED TRAIL BIKE GEOMETRY

The geometry of the ONE-FORTY is influenced heavily by its bigger brother, the ONE-SIXTY, by mimicking the short chainstays (435 mm) for increased agility and playfulness on the trail. A well-balanced reach and low centre of gravity combined with a short stem and wide handlebar deliver fun-packed yet confidence-inspiring handling.

2

1X SPECIFIC DRIVETRAIN

Modern trail bikes are all about simplicity, durability and efficiency and modern 1x drivetrains offer a huge gear range whilst remaining lightweight. Building our frame around a 1x specific setup allows us to keep chainstays short, adding to the agility and playfulness of the bike. Perfect for today's demanding trails.

3

FLOAT LINK SUSPENSION

The lower shock mount moves with the system to deliver plushness and pedalling efficiency. Our engineers can precisely influence the transmission ratio and progression, which means that a 'Float Link' system is very sensitive, delivering great support in mid-travel and the appearance of more than the 140 mm travel that the model name suggests.

4

TRUNNION MOUNT

A trunnion mount shock gives our frame designers more flexibility by using a shorter shock with increased stroke. Combined with the ball bearing bushing of the upper mount, shock sensitivity is increased, and the suspension performance can be perfectly tuned.

5

SMART ENTRY

Cables, housings and brake hoses are clamped under tension to prevent rattling when the trail gets rough. All inlets are completely interchangeable to deal with Di2, hydraulic hoses, brake cable and gear cable housings etc.


6

TYRE CLEARANCE

The ONE-FORTY has clearance for up to 2.6" wide 650B tyres, allowing plenty of extra room to fit the right tyre for the track. Extra wide tyres deliver increased levels of grip and comfort when the track gets rougher and more demanding, significantly improving the overall handling and riding experience.

ONE-FORTY 800

SILK ANTHRACITE/BLACK

 Lightweight 6016 series triple butted hydroformed aluminium tubes with smooth welding. Tapered head tube and Boost standard bolt through axles for precise handling. 'Smart Entry' cable routing for rattle free running.

| XC/MARATHON | TRAIL | ALL MOUNTAIN | ENDURO |




| | |
|-----------------------|----------------------------------------------------------------------------------------------------------------------------------------------|
| FRAME | ONE-FORTY LITE, 140mm suspension travel, material: aluminium, 27.5x2.6" max. wheelsize, 148x12mm axle standard, BB92 bottom bracket standard |
| FRAME SIZE | S, M, L, XL |
| FORK | Rock Shox Pike Ultimate, Air, 150mm suspension travel, Tapered, 37mm fork offset, 27.5x2.8" max. wheelsize |
| SHOCK | Rock Shox Deluxe Select+, lockout |
| BRAKES | Sram Code R |
| ROTORS | Sram Centerline |
| HEADSET | MERIDA M2339 Neck |
| HANDLEBAR | MERIDA EXPERT TR, material: aluminium, 780mm width, 20mm rise |
| HANDLEBAR STEM | MERIDA EXPERT TR, material: aluminium, 35mm diameter, 0° stem angle |
| GRIP | MERIDA EXPERT EC |
| DERAILLEUR (R) | Sram GX Eagle |
| SHIFTERS | Shimano SL-MT500-IL / Sram GX Eagle |
| SEAT POST | MERIDA EXPERT TR, 30.9mm diameter, 0mm setback, S: 125mm travel seatpost - M 150mm travel seatpost - L/XL 170mm travel seatpost |
| SEAT CLAMP | MERIDA EXPERT |
| SADDLE | MERIDA EXPERT CC |
| CHAIN | Sram GX Eagle |

| | |
|-----------------------|-----------------------------------------------------------------------------------------------------------------|
| CHAINWHEEL | Sram GX Eagle, 32 teeth |
| FREEWHEEL | Sram XG-1275 Eagle, 10-52 teeth, 12 speed |
| BOTTOM BRACKET | Sram BB DUB PF MTB 92 |
| RIM | MERIDA EXPERT TR, 29mm inner width, material: aluminium, Tubeless ready (tubeless tape and valves not included) |
| HUBS | Bearpawls BMB-003 / Bearpawls BMB-004 |
| AXLES | MERIDA EXPERT TR |
| SPOKES | Double Butted Black stainless |
| TIRES | Maxxis Minion DHF / Maxxis Dissector |
| FENDER | MERIDA MTB lite-front |



ONE-FORTY 800

PURPLE/SILVER

 Lightweight 6016 series triple butted hydroformed aluminium tubes with smooth welding. Tapered head tube and Boost standard bolt through axles for precise handling. 'Smart Entry' cable routing for rattle free running.

| XC/MARATHON | TRAIL | ALL MOUNTAIN | ENDURO |




| | |
|-----------------------|----------------------------------------------------------------------------------------------------------------------------------------------|
| FRAME | ONE-FORTY LITE, 140mm suspension travel, material: aluminium, 27.5x2.6" max. wheelsize, 148x12mm axle standard, BB92 bottom bracket standard |
| FRAME SIZE | S, M, L, XL |
| FORK | Rock Shox Pike Ultimate, Air, 150mm suspension travel, Tapered, 37mm fork offset, 27.5x2.8" max. wheelsize |
| SHOCK | Rock Shox Deluxe Select+, lockout |
| BRAKES | Sram Code R |
| ROTORS | Sram Centerline |
| HEADSET | MERIDA M2339 Neck |
| HANDLEBAR | MERIDA EXPERT TR, material: aluminium, 780mm width, 20mm rise |
| HANDLEBAR STEM | MERIDA EXPERT TR, material: aluminium, 35mm diameter, 0° stem angle |
| GRIP | MERIDA EXPERT EC |
| DERAILLEUR (R) | Sram GX Eagle |
| SHIFTERS | Shimano SL-MT500-IL / Sram GX Eagle |
| SEAT POST | MERIDA EXPERT TR, 30.9mm diameter, 0mm setback, S: 125mm travel seatpost - M 150mm travel seatpost - L/XL 170mm travel seatpost |
| SEAT CLAMP | MERIDA EXPERT |
| SADDLE | MERIDA EXPERT CC |
| CHAIN | Sram GX Eagle |

| | |
|-----------------------|-----------------------------------------------------------------------------------------------------------------|
| CHAINWHEEL | Sram GX Eagle, 32 teeth |
| FREEWHEEL | Sram XG-1275 Eagle, 10-52 teeth, 12 speed |
| BOTTOM BRACKET | Sram BB DUB PF MTB 92 |
| RIM | MERIDA EXPERT TR, 29mm inner width, material: aluminium, Tubeless ready (tubeless tape and valves not included) |
| HUBS | Bearpawls BMB-003 / Bearpawls BMB-004 |
| AXLES | MERIDA EXPERT TR |
| SPOKES | Double Butted Black stainless |
| TIRES | Maxxis Minion DHF / Maxxis Dissector |
| FENDER | MERIDA MTB lite-front |



ONE-FORTY 700

SILK ANTHRACITE/BLACK

 Lightweight 6016 series triple butted hydroformed aluminium tubes with smooth welding. Tapered head tube and Boost standard bolt through axles for precise handling. 'Smart Entry' cable routing for rattle free running.

| XC/MARATHON | TRAIL | ALL MOUNTAIN | ENDURO |




| | |
|-----------------------|----------------------------------------------------------------------------------------------------------------------------------------------|
| FRAME | ONE-FORTY LITE, 140mm suspension travel, material: aluminium, 27.5x2.6" max. wheelsize, 148x12mm axle standard, BB92 bottom bracket standard |
| FRAME SIZE | S, M, L, XL |
| FORK | Marzocchi Z1, Air, 150mm suspension travel, Tapered, 37mm fork offset, 27.5x2.8" max. wheelsize |
| SHOCK | Rock Shox Deluxe Select+, lockout |
| BRAKES | Shimano SLX M7120 |
| ROTORS | Shimano RT54 |
| HEADSET | MERIDA M2339 Neck |
| HANDLEBAR | MERIDA EXPERT TR, material: aluminium, 780mm width, 20mm rise |
| HANDLEBAR STEM | MERIDA EXPERT TR, material: aluminium, 35mm diameter, 0° stem angle |
| GRIP | MERIDA COMP EC |
| DERAILLEUR (R) | Shimano XT M8100 Shadow+, SGS |
| SHIFTERS | Shimano SL -MT500-IL / Shimano XT |
| SEAT POST | MERIDA EXPERT TR, 30.9mm diameter, 0mm setback, S: 125mm travel seatpost - M 150mm travel seatpost - L/XL 170mm travel seatpost |
| SEAT CLAMP | MERIDA EXPERT |
| SADDLE | MERIDA COMP CC |
| CHAIN | KMC X12 |

| | |
|-----------------------|-----------------------------------------------------------------------------------------------------------------|
| CHAINWHEEL | Race Face Aeffect R, 32 teeth |
| FREEWHEEL | Shimano Deore M6100, 10-51 teeth, 12 speed |
| BOTTOM BRACKET | Race Face BB BB92- Ø24mm |
| RIM | MERIDA EXPERT TR, 29mm inner width, material: aluminium, Tubeless ready (tubeless tape and valves not included) |
| HUBS | Shimano SLX |
| AXLES | MERIDA EXPERT TR |
| SPOKES | Double Butted Black stainless |
| TIRES | Maxxis Minion DHF / Maxxis Dissector |
| FENDER | MERIDA MTB lite-front |



ONE-FORTY 700

GREEN/RED

 Lightweight 6016 series triple butted hydroformed aluminium tubes with smooth welding. Tapered head tube and Boost standard bolt through axles for precise handling. 'Smart Entry' cable routing for rattle free running.

| XC/MARATHON | TRAIL | ALL MOUNTAIN | ENDURO |



| | |
|-----------------------|----------------------------------------------------------------------------------------------------------------------------------------------|
| FRAME | ONE-FORTY LITE, 140mm suspension travel, material: aluminium, 27.5x2.6" max. wheelsize, 148x12mm axle standard, BB92 bottom bracket standard |
| FRAME SIZE | S, M, L, XL |
| FORK | Marzocchi Z1, Air, 150mm suspension travel, Tapered, 37mm fork offset, 27.5x2.8" max. wheelsize |
| SHOCK | Rock Shox Deluxe Select+, lockout |
| BRAKES | Shimano SLX M7120 |
| ROTORS | Shimano RT54 |
| HEADSET | MERIDA M2339 Neck |
| HANDLEBAR | MERIDA EXPERT TR, material: aluminium, 780mm width, 20mm rise |
| HANDLEBAR STEM | MERIDA EXPERT TR, material: aluminium, 35mm diameter, 0° stem angle |
| GRIP | MERIDA COMP EC |
| DERAILLEUR (R) | Shimano XT M8100 Shadow+, SGS |
| SHIFTERS | Shimano SL -MT500-IL / Shimano XT |
| SEAT POST | MERIDA EXPERT TR, 30.9mm diameter, 0mm setback, S: 125mm travel seatpost - M 150mm travel seatpost - L/XL 170mm travel seatpost |
| SEAT CLAMP | MERIDA EXPERT |
| SADDLE | MERIDA COMP CC |
| CHAIN | KMC X12 |


| | |
|-----------------------|-----------------------------------------------------------------------------------------------------------------|
| CHAINWHEEL | Race Face Aeffect R, 32 teeth |
| FREEWHEEL | Shimano Deore M6100, 10-51 teeth, 12 speed |
| BOTTOM BRACKET | Race Face BB BB92- Ø24mm |
| RIM | MERIDA EXPERT TR, 29mm inner width, material: aluminium, Tubeless ready (tubeless tape and valves not included) |
| HUBS | Shimano SLX |
| AXLES | MERIDA EXPERT TR |
| SPOKES | Double Butted Black stainless |
| TIRES | Maxxis Minion DHF / Maxxis Dissector |
| FENDER | MERIDA MTB lite-front |





ONE-FORTY 600

SILK ANTHRACITE/BLACK

 Lightweight 6016 series triple butted hydroformed aluminium tubes with smooth welding. Tapered head tube and Boost standard bolt through axles for precise handling. 'Smart Entry' cable routing for rattle free running.

| XC/MARATHON | TRAIL | ALL MOUNTAIN | ENDURO |




| | |
|-----------------------|----------------------------------------------------------------------------------------------------------------------------------------------|
| FRAME | ONE-FORTY LITE, 140mm suspension travel, material: aluminium, 27.5x2.6" max. wheelsize, 148x12mm axle standard, BB92 bottom bracket standard |
| FRAME SIZE | S, M, L, XL |
| FORK | Marzocchi Z2, Air, 150mm suspension travel, Tapered, 44mm fork offset, 27.5x2.8" max. wheelsize |
| SHOCK | Rock Shox Deluxe Select+, lockout |
| BRAKES | Shimano M6100 |
| ROTORS | Shimano RT54 |
| HEADSET | MERIDA M2339 Neck |
| HANDLEBAR | MERIDA EXPERT TR, material: aluminium, 780mm width, 20mm rise |
| HANDLEBAR STEM | MERIDA EXPERT TR, material: aluminium, 35mm diameter, 0° stem angle |
| GRIP | MERIDA COMP EC |
| DERAILLEUR (R) | Shimano XT M8100 Shadow+, SGS |
| SHIFTERS | Shimano SL-MT500-IL / Shimano Deore M6100 |
| SEAT POST | MERIDA COMP TR, 30.9mm diameter, 0mm setback, S: 100mm travel seatpost - M: 125mm travel seatpost - L/XL: 150mm travel seatpost |
| SEAT CLAMP | MERIDA EXPERT |
| SADDLE | MERIDA COMP CC |
| CHAINWHEEL | Race Face Ride, 32 teeth |

| | |
|-----------------------|-----------------------------------------------------------------------------------------------------------------|
| FREEWHEEL | Shimano Deore M6100, 10-51 teeth, 12 speed |
| BOTTOM BRACKET | Race Face BB BB92- Ø24mm |
| RIM | MERIDA EXPERT TR, 29mm inner width, material: aluminium, Tubeless ready (tubeless tape and valves not included) |
| HUBS | Shimano MT400-B / Shimano MT410-B |
| WHEELSET | KMC X12 |
| AXLES | MERIDA EXPERT TR |
| SPOKES | Double Butted Black stainless |
| TIRES | Maxxis Minion DHF / Maxxis Dissector |



ONE-FORTY 600

SILK BRONZE/BLUE

 Lightweight 6016 series triple butted hydroformed aluminium tubes with smooth welding. Tapered head tube and Boost standard bolt through axles for precise handling. 'Smart Entry' cable routing for rattle free running.

| XC/MARATHON | TRAIL | ALL MOUNTAIN | ENDURO |




| | |
|-----------------------|----------------------------------------------------------------------------------------------------------------------------------------------|
| FRAME | ONE-FORTY LITE, 140mm suspension travel, material: aluminium, 27.5x2.6" max. wheelsize, 148x12mm axle standard, BB92 bottom bracket standard |
| FRAME SIZE | S, M, L, XL |
| FORK | Marzocchi Z2, Air, 150mm suspension travel, Tapered, 44mm fork offset, 27.5x2.8" max. wheelsize |
| SHOCK | Rock Shox Deluxe Select+, lockout |
| BRAKES | Shimano M6100 |
| ROTORS | Shimano RT54 |
| HEADSET | MERIDA M2339 Neck |
| HANDLEBAR | MERIDA EXPERT TR, material: aluminium, 780mm width, 20mm rise |
| HANDLEBAR STEM | MERIDA EXPERT TR, material: aluminium, 35mm diameter, 0° stem angle |
| GRIP | MERIDA COMP EC |
| DERAILLEUR (R) | Shimano XT M8100 Shadow+, SGS |
| SHIFTERS | Shimano SL-MT500-IL / Shimano Deore M6100 |
| SEAT POST | MERIDA COMP TR, 30.9mm diameter, 0mm setback, S: 100mm travel seatpost - M: 125mm travel seatpost - L/XL: 150mm travel seatpost |
| SEAT CLAMP | MERIDA EXPERT |
| SADDLE | MERIDA COMP CC |
| CHAINWHEEL | Race Face Ride, 32 teeth |

| | |
|-----------------------|-----------------------------------------------------------------------------------------------------------------|
| FREEWHEEL | Shimano Deore M6100, 10-51 teeth, 12 speed |
| BOTTOM BRACKET | Race Face BB BB92- Ø24mm |
| RIM | MERIDA EXPERT TR, 29mm inner width, material: aluminium, Tubeless ready (tubeless tape and valves not included) |
| HUBS | Shimano MT400-B / Shimano MT410-B |
| WHEELSET | KMC X12 |
| AXLES | MERIDA EXPERT TR |
| SPOKES | Double Butted Black stainless |
| TIRES | Maxxis Minion DHF / Maxxis Dissector |



ONE-FORTY 400

SILK ANTHRACITE/BLACK

 Lightweight 6016 series triple butted hydroformed aluminium tubes with smooth welding. Tapered head tube and Boost standard bolt through axles for precise handling. 'Smart Entry' cable routing for rattle free running.

| XC/MARATHON | TRAIL | ALL MOUNTAIN | ENDURO |




| | |
|-------------------|----------------------------------------------------------------------------------------------------------------------------------------------|
| FRAME | ONE-FORTY LITE, 140mm suspension travel, material: aluminium, 27.5x2.6" max. wheelsize, 148x12mm axle standard, BB92 bottom bracket standard |
| FRAME SIZE | S, M, L, XL |
| FORK | Suntour Aion35 EVO LOR, Air, 150mm suspension travel, Tapered, Lockout, 51mm fork offset, 27.5x2.8" max. wheelsize |
| SHOCK | Suntour Unair TR LOR8, lockout |
| BRAKES | Tektro M275 |
| ROTORS | Shimano RT10 |
| HEADSET | MERIDA M2339 Neck |
| HANDLEBAR | MERIDA EXPERT CC, material: aluminium, 740mm width, 10mm rise |
| GRIP | MERIDA COMP EC |
| SHIFTERS | Shimano SL -MT500-IL / Shimano Deore M5100 |
| SEAT POST | MERIDA COMP TR, 30.9mm diameter, 0mm setback, S: 100mm travel seatpost - M: 125mm travel seatpost - L/XL: 150mm travel seatpost |
| SEAT CLAMP | MERIDA EXPERT |
| SADDLE | MERIDA COMP CC |
| CHAIN | KMC X11 NPBK |
| CHAINWHEEL | Shimano Deore M5100, 32 teeth |
| FREEWHEEL | Shimano Deore M5100, 11-51 teeth, 11 speed |

| | |
|-----------------------|---------------------------------------------------------------------------------------------------------------|
| BOTTOM BRACKET | Shimano MT500-PA pressfit |
| RIM | MERIDA COMP TR, 29mm inner width, material: aluminium, Tubeless ready (tubeless tape and valves not included) |
| HUBS | Shimano MT400-B |
| WHEELSET | MERIDA EXPERT CC, material: aluminium, 31.8mm diameter, 6° stem angle |
| AXLES | MERIDA COMP TR |
| SPOKES | Black stainless |
| TIRES | Kenda Regolith |



ONE-FORTY 400

GREEN/ANTHRACITE

 Lightweight 6016 series triple butted hydroformed aluminium tubes with smooth welding. Tapered head tube and Boost standard bolt through axles for precise handling. 'Smart Entry' cable routing for rattle free running.

| XC/MARATHON | TRAIL | ALL MOUNTAIN | ENDURO |



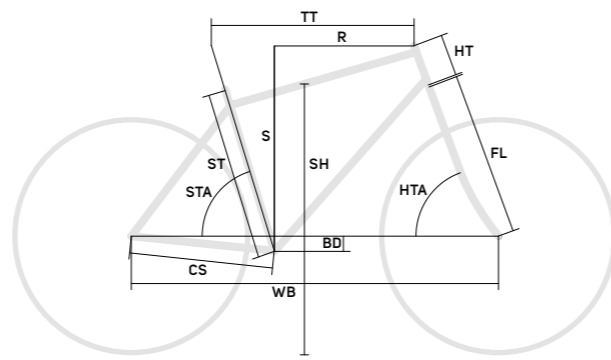
| | |
|-------------------|----------------------------------------------------------------------------------------------------------------------------------------------|
| FRAME | ONE-FORTY LITE, 140mm suspension travel, material: aluminium, 27.5x2.6" max. wheelsize, 148x12mm axle standard, BB92 bottom bracket standard |
| FRAME SIZE | S, M, L, XL |
| FORK | Suntour Aion35 EVO LOR, Air, 150mm suspension travel, Tapered, Lockout, 51mm fork offset, 27.5x2.8" max. wheelsize |
| SHOCK | Suntour Unair TR LOR8, lockout |
| BRAKES | Tektro M275 |
| ROTORS | Shimano RT10 |
| HEADSET | MERIDA M2339 Neck |
| HANDLEBAR | MERIDA EXPERT CC, material: aluminium, 740mm width, 10mm rise |
| GRIP | MERIDA COMP EC |
| SHIFTERS | Shimano SL -MT500-IL / Shimano Deore M5100 |
| SEAT POST | MERIDA COMP TR, 30.9mm diameter, 0mm setback, S: 100mm travel seatpost - M: 125mm travel seatpost - L/XL: 150mm travel seatpost |
| SEAT CLAMP | MERIDA EXPERT |
| SADDLE | MERIDA COMP CC |
| CHAIN | KMC X11 NPBK |
| CHAINWHEEL | Shimano Deore M5100, 32 teeth |
| FREEWHEEL | Shimano Deore M5100, 11-51 teeth, 11 speed |

| | |
|-----------------------|---------------------------------------------------------------------------------------------------------------|
| BOTTOM BRACKET | Shimano MT500-PA pressfit |
| RIM | MERIDA COMP TR, 29mm inner width, material: aluminium, Tubeless ready (tubeless tape and valves not included) |
| HUBS | Shimano MT400-B |
| WHEELSET | MERIDA EXPERT CC, material: aluminium, 31.8mm diameter, 6° stem angle |
| AXLES | MERIDA COMP TR |
| SPOKES | Black stainless |
| TIRES | Kenda Regolith |



ONE-FORTY

GEOMETRIES



ONE-FORTY LITE

| FS Frame Size | S | M | L | XL |
|-----------------------------|-------|-------|-------|-------|
| TS Tire Size | 27.5" | 27.5" | 27.5" | 27.5" |
| ST seat tube [mm] | 410 | 435 | 475 | 515 |
| TT top tube [mm] | 572 | 596 | 619.7 | 643.4 |
| CS chain stay length [mm] | 435 | 435 | 435 | 435 |
| HTA head tube angle [°] | 66.3 | 66.3 | 66.3 | 66.3 |
| STA seat tube angle [°] | 75 | 75 | 75 | 75 |
| BD bottom bracket drop [mm] | 21 | 21 | 21 | 21 |
| HT head tube [mm] | 95 | 110 | 125 | 140 |
| FL fork length [mm] | 542 | 542 | 542 | 542 |
| R reach [mm] | 415 | 435 | 455 | 475 |
| S stack [mm] | 587 | 601.1 | 614.9 | 628.6 |
| WB wheel base [mm] | 1144 | 1170 | 1194 | 1222 |
| SH stand over height [mm] | 708 | 723 | 750 | 778 |



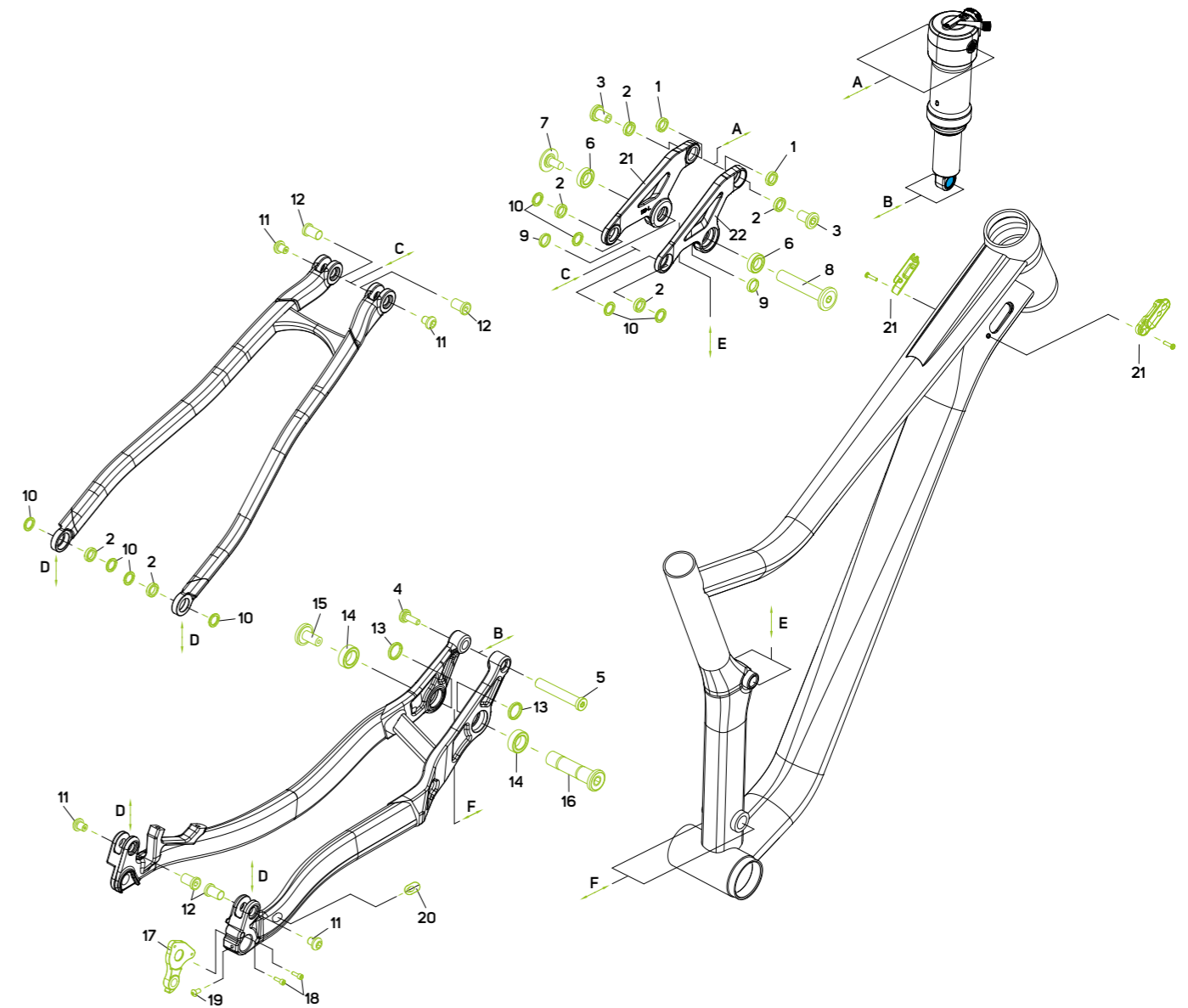
FRAME INTERFACES

| | |
|------------------------------|------------------------------------------------------------------------------|
| MAX. WHEELSIZE | 27.5x2.6" |
| MAX. CHAINRING | 1x34T |
| HEAD TUBE | 1 1/8" & 1 1/2" |
| HEADSET | SEMI-INTEGRATED (44-55 mm) |
| BRAKE STANDARD | DISC BRAKE ON CHAIN STAY POST MOUNT 180 mm REAR BRAKE |
| BB-STANDARD | BB 92 |
| SEATPOST DIAMETER | 30.9 mm |
| REAR DROPOUT-STANDARD | THRU AXLE 12x148 mm |
| CABLE ROUTING | INTERNAL SHIFTING CABLES INTERNAL BRAKE CABLE INTERNAL SEAT POST CABLE |
| FD-STANDARD | 1x specific |
| FRAME WEIGHT* | 3040g in size M +/- 3% |
| RD HANGER | DH-053 |

*Frame weight only! Without axle, frame protectors, saddle clamp, hanger, steerer cups and cable guides (weight is also depending on the frame color)

ONE-FORTY LITE

| mm | SHAFT EYELET | | BODY EYELET | |
|-------------------------|--------------|--------|-------------|--------|
| | PIN WIDTH | PIN ID | PIN WIDTH | PIN ID |
| 185 x 55 mm | - | - | 40 mm | 10 mm |
| Recommended SAG: 30-35% | | | | |



| No. | Item No. | Item | Detail information | Pieces | Torque Nm | No. | Item No. | Item | Detail information | Pieces | Torque Nm |
|-----|------------|---------|----------------------|--------|-----------|-----|------------|-------------|-----------------------|--------|-----------|
| 1 | 2294004440 | WASHER | | 2 | | 12 | 2300011263 | BOLT | | 4 | |
| 2 | 2221002254 | BEARING | 6800V2RS 19D*10D*5W | 6 | | 13 | 2294001180 | WASHER | | 2 | |
| 3 | 2300011274 | SCREW | | 2 | 14 | 14 | 2221002395 | BEARING | 3802V-2RD 24D*15D*7W | 2 | |
| 4 | 2300012480 | SCREW | | 1 | 10 | 15 | 2300011304 | SCREW | | 1 | 12 |
| 5 | 2300012491 | BOLT | | 1 | | 16 | 2300011315 | BOLT | | 1 | |
| 6 | 2221002265 | BEARING | 6801V-2RS 21D*12D*5W | 2 | | 17 | 2311004928 | DROPOUT | DH-053 (see page 608) | 1 | |
| 7 | 2300011285 | SCREW | | 1 | 14 | 18 | 2300010950 | SCREW | | 2 | 4 |
| 8 | 2300011296 | BOLT | | 1 | | 19 | 2300005272 | SCREW | | 1 | 5 |
| 9 | 2294004439 | WASHER | | 2 | | 20 | 2258003812 | CABLE GUIDE | | 1 | |
| 10 | 2294004451 | WASHER | | 8 | | 21 | | SMART ENTRY | (see page 606) | | |
| 11 | 2300011252 | SCREW | | 4 | 11 | | | | | | |

ONE-SIXTY

DEFYING GRAVITY

Our test-winning enduro bike combines a lightweight frame design with an aggressive geometry. The race and trail-proven frame is available in a carbon or aluminium front triangle version and a multitude of spec levels, allowing the seasoned as well as the 'greenhorn' enduro rider to find the perfect bike for their budget. For the 2021 season we are making our ONE-SIXTY even more gravity orientated by spec'ing four piston brakes throughout the range, a minimum of 150 mm drop on the post and DH focused Maxxis Dissector DD and Assegai DD tyres for reliable trail performance.



CARBON OR ALUMINIUM

Available as a combination of carbon front end and 6016 aluminium rear or as an all-aluminium version. Carrying only a small amount of extra weight over the carbon/aluminium frame version, this offers a great alternative for riders preferring an all-metal setup or those on a tight budget. All models come with a full carbon rocker arm for further improved stiffness and reduced weight.

5

BOOST TECHNOLOGY

The entire ONE-SIXTY range offers Boost technology at the front and rear. The shallower axle standard of 110 mm (front) and 148 mm (rear) allows for a wider spoke angle, resulting in a stiffer and stronger wheel, hugely beneficial on trail and enduro bikes given the impacts they endure.



1

PROVEN DESIGN

Our ONE-SIXTY remains one of the biggest showstoppers in our full suspension range. Fully at home on the demanding tracks of the Enduro World Series, ridden by Toni Ferreiro, our ONE-SIXTY has also gained press accolades. FLOW calls it 'a genuine contender as the best trail bike we've ridden at this price point' and 'it just looked right – the right angles, the right components, at the right price.'

2

AGGRESSIVE GEOMETRY

Race-proven and loved by the international cycling press, our ONE-SIXTY combines super short 430 mm chainstays for increased agility and playfulness, with a long reach, slack head angles and a low centre of gravity, delivering an aggressive enduro geometry.

3

FLOAT LINK SUSPENSION

The lower shock mount moves with the system to deliver plushness and pedalling efficiency. Our engineers can precisely influence the transmission ratio and progression, which means a 'Float Link' system appears to offer more travel than the ONE-SIXTY name suggests. The rear end of the ONE-SIXTY creates the feeling of almost bottomless travel whilst remaining perfectly controlled when climbing.

4

TRUNNION MOUNT

A trunnion mount shock gives our frame designers more flexibility by using a shorter shock with increased stroke. Combined with the ball bearing bushing of the upper mount, shock sensitivity is increased, and the suspension performance can be perfectly tuned.

ONE-SIXTY 7000

RED/BLACK

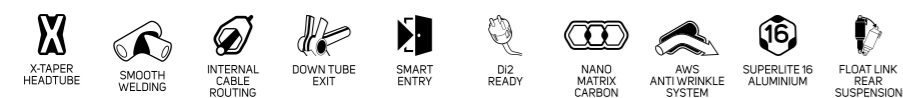
CFA Carbon main frame and rocker arm paired with tough 6016 aluminium rear triangle and aggressive enduro geometry. Tapered head tube and Boost axle standard deliver strong wheels and precise handling. 'Smart Entry' cable routing for rattle free running. BB92 bottom bracket for super-efficient power transfer and a floating rear shock providing 165 mm travel.

| XC/MARATHON | TRAIL | ALL MOUNTAIN | **ENDURO** |



| | |
|-----------------------|----------------------------------------------------------------------------------------------------------------------------------------------------|
| FRAME | ONE-SIXTY CFA, 165mm suspension travel, material: carbon/aluminium, 27.5x2.6" max. wheelsize, 148x12mm axle standard, BB92 bottom bracket standard |
| FRAME SIZE | S, M, L |
| FORK | Fox Factory 38 Float, Air, 170mm suspension travel, Tapered, 37mm fork offset, 27.5x2.8" max. wheelsize |
| SHOCK | Fox Factory Float X2, platform |
| BRAKES | Shimano XT |
| ROTORS | Shimano RT-MT800 |
| HEADSET | FSA NO.57/55E neck, AL cap with STS bolt+ ST stop nut |
| HANDLEBAR | MERIDA EXPERT TR, material: aluminium, 780mm width, 20mm rise |
| HANDLEBAR STEM | MERIDA EXPERT TR, material: aluminium, 35mm diameter, 0° stem angle, 40 mm all sizes |
| GRIP | MERIDA EXPERT EC |
| DERAILLEUR (R) | Shimano XT M8100 Shadow+, SGS |
| SHIFTERS | Shimano SL -MT800-IL / Shimano XT |
| SEAT POST | MERIDA EXPERT TR, 30.9mm diameter, 0mm setback, S: 125mm travel seatpost - M 150mm travel seatpost - L 170mm travel seatpost |
| SEAT CLAMP | MERIDA EXPERT |
| CHAIN | Shimano XT |
| CHAINGUARD | MRP 1X V3 |

| | |
|-----------------------|-----------------------------------------------------------------------------------------------------------------|
| CHAINWHEEL | Race Face Turbine, 32 teeth, 170 mm-S up |
| FREEWHEEL | Shimano XT, 10-51 teeth, 12 speed |
| BOTTOM BRACKET | BB, BB92- Ø30mm, Double Row, Ext. Seal |
| RIM | MERIDA EXPERT TR, 29mm inner width, material: aluminium, Tubeless ready (tubeless tape and valves not included) |
| HUBS | Shimano XT |
| SPOKES | Double Butted Black stainless |
| TIRES | Maxxis Assegai / Maxxis Dissector |
| FENDER | MERIDA MTB lite-front |



ONE-SIXTY 4000

TEAL/BLACK

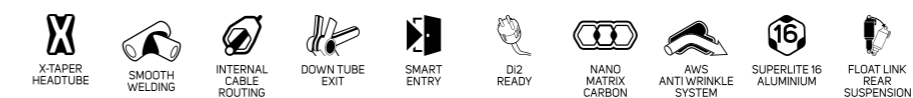
CFA Carbon main frame and rocker arm paired with tough 6016 aluminium rear triangle and aggressive enduro geometry. Tapered head tube and Boost axle standard deliver strong wheels and precise handling. 'Smart Entry' cable routing for rattle free running. BB92 bottom bracket for super-efficient power transfer and a floating rear shock providing 165 mm travel.

| XC/MARATHON | TRAIL | ALL MOUNTAIN | **ENDURO** |



| | |
|-----------------------|----------------------------------------------------------------------------------------------------------------------------------------------------|
| FRAME | ONE-SIXTY CFA, 165mm suspension travel, material: carbon/aluminium, 27.5x2.6" max. wheelsize, 148x12mm axle standard, BB92 bottom bracket standard |
| FRAME SIZE | S, M, L |
| FORK | Marzocchi Z1, Air, 170mm suspension travel, Tapered, 37mm fork offset, 27.5x2.8" max. wheelsize |
| SHOCK | Fox Performance Float DPX2, platform |
| BRAKES | Shimano Deore M6120 |
| ROTORS | Shimano RT30 |
| HEADSET | FSA NO.57/55E neck, AL cap with STS bolt+ ST stop nut |
| HANDLEBAR | MERIDA EXPERT TR, material: aluminium, 780mm width, 20mm rise |
| HANDLEBAR STEM | MERIDA EXPERT TR, material: aluminium, 35mm diameter, 0° stem angle |
| GRIP | MERIDA EXPERT EC |
| DERAILLEUR (R) | Shimano XT M8100 Shadow+, SGS |
| SHIFTERS | Shimano SL -MT500-IL / Shimano Deore M6100 |
| SEAT POST | MERIDA EXPERT TR, 30.9mm diameter, 0mm setback, S: 125mm travel seatpost - M 150mm travel seatpost - L 170mm travel seatpost |
| SEAT CLAMP | MERIDA EXPERT |
| SADDLE | MERIDA COMP CC |
| CHAIN | KMC X12 |

| | |
|-----------------------|-----------------------------------------------------------------------------------------------------------------|
| CHAINGUARD | MRP 1X CS |
| CHAINWHEEL | Race Face Ride, 32 teeth |
| FREEWHEEL | Shimano Deore M6100, 10-51 teeth, 12 speed |
| BOTTOM BRACKET | Race Face BB BB92- Ø24mm |
| RIM | MERIDA COMP TR, 27.5mm inner width, material: aluminium, Tubeless ready (tubeless tape and valves not included) |
| HUBS | Shimano MT400-B / Shimano MT410-B |
| AXLES | MERIDA EXPERT TR |
| SPOKES | Double Butted Black stainless |
| TIRES | Maxxis Assegai / Maxxis Dissector |
| FENDER | MERIDA MTB lite-front |



ONE-SIXTY 700

METALLIC TEAL/BLACK

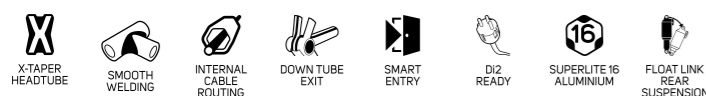
LITE Lightweight 6016 series triple butted and hydroformed aluminium frame with smooth welding. Full carbon rocker arm for even more stiffness and reduced weight. Tapered head tube and Boost standard bolt through axles for precise handling. 'Smart Entry' cable routing for rattle free running.

| XC/MARATHON | TRAIL | ALL MOUNTAIN | ENDURO |



| | |
|-----------------------|----------------------------------------------------------------------------------------------------------------------------------------------|
| FRAME | ONE-SIXTY LITE, 165mm suspension travel, material: aluminium, 27.5x2.6" max. wheelsize, 148x12mm axle standard, BB92 bottom bracket standard |
| FRAME SIZE | S, M, L, XL |
| FORK | Marzocchi Z1, Air, 170mm suspension travel, Tapered, 37mm fork offset, 27.5x2.8" max. wheelsize |
| SHOCK | Fox Performance Float DPX2, platform |
| BRAKES | Shimano SLX M7120 |
| ROTORS | Shimano RT64 |
| HEADSET | FSA NO.57/55E neck |
| HANDLEBAR | MERIDA EXPERT TR, material: aluminium, 780mm width, 20mm rise |
| HANDLEBAR STEM | MERIDA EXPERT TR, material: aluminium, 35mm diameter, 0° stem angle |
| GRIP | MERIDA EXPERT EC |
| DERAILLEUR (R) | Shimano XT M8100 Shadow+, SGS |
| SHIFTERS | Shimano SL -MT500-IL / Shimano XT |
| SEAT POST | MERIDA EXPERT TR, 30.9mm diameter, 0mm setback, S: 125mm travel seatpost - M 150mm travel seatpost - L/XL 170mm travel seatpost |
| SEAT CLAMP | MERIDA EXPERT |
| SADDLE | MERIDA EXPERT CC, MERIDA EXPERT |
| CHAIN | KMC X12 |

| | |
|-----------------------|-----------------------------------------------------------------------------------------------------------------|
| CHAINGUARD | MRP 1X CS |
| CHAINWHEEL | Race Face Aeffect R, 32 teeth |
| FREEWHEEL | Shimano Deore M6100, 10-51 teeth, 12 speed |
| BOTTOM BRACKET | Race Face BB BB92- Ø24mm |
| RIM | MERIDA EXPERT TR, 29mm inner width, material: aluminium, Tubeless ready (tubeless tape and valves not included) |
| HUBS | Shimano SLX |
| AXLES | MERIDA EXPERT TR |
| SPOKES | Double Butted Black stainless |
| TIRES | Maxxis Assegai / Maxxis Dissector |
| FENDER | MERIDA MTB lite-front |



ONE-SIXTY 700

GREY/SPARKLING BLACK

LITE Lightweight 6016 series triple butted and hydroformed aluminium frame with smooth welding. Full carbon rocker arm for even more stiffness and reduced weight. Tapered head tube and Boost standard bolt through axles for precise handling. 'Smart Entry' cable routing for rattle free running.

| XC/MARATHON | TRAIL | ALL MOUNTAIN | ENDURO |



| | |
|-----------------------|----------------------------------------------------------------------------------------------------------------------------------------------|
| FRAME | ONE-SIXTY LITE, 165mm suspension travel, material: aluminium, 27.5x2.6" max. wheelsize, 148x12mm axle standard, BB92 bottom bracket standard |
| FRAME SIZE | S, M, L, XL |
| FORK | Marzocchi Z1, Air, 170mm suspension travel, Tapered, 37mm fork offset, 27.5x2.8" max. wheelsize |
| SHOCK | Fox Performance Float DPX2, platform |
| BRAKES | Shimano SLX M7120 |
| ROTORS | Shimano RT64 |
| HEADSET | FSA NO.57/55E neck |
| HANDLEBAR | MERIDA EXPERT TR, material: aluminium, 780mm width, 20mm rise |
| HANDLEBAR STEM | MERIDA EXPERT TR, material: aluminium, 35mm diameter, 0° stem angle |
| GRIP | MERIDA EXPERT EC |
| DERAILLEUR (R) | Shimano XT M8100 Shadow+, SGS |
| SHIFTERS | Shimano SL -MT500-IL / Shimano XT |
| SEAT POST | MERIDA EXPERT TR, 30.9mm diameter, 0mm setback, S: 125mm travel seatpost - M 150mm travel seatpost - L/XL 170mm travel seatpost |
| SEAT CLAMP | MERIDA EXPERT |
| SADDLE | MERIDA EXPERT CC, MERIDA EXPERT |
| CHAIN | KMC X12 |

| | |
|-----------------------|-----------------------------------------------------------------------------------------------------------------|
| CHAINGUARD | MRP 1X CS |
| CHAINWHEEL | Race Face Aeffect R, 32 teeth |
| FREEWHEEL | Shimano Deore M6100, 10-51 teeth, 12 speed |
| BOTTOM BRACKET | Race Face BB BB92- Ø24mm |
| RIM | MERIDA EXPERT TR, 29mm inner width, material: aluminium, Tubeless ready (tubeless tape and valves not included) |
| HUBS | Shimano SLX |
| AXLES | MERIDA EXPERT TR |
| SPOKES | Double Butted Black stainless |
| TIRES | Maxxis Assegai / Maxxis Dissector |
| FENDER | MERIDA MTB lite-front |



ONE-SIXTY 400

GREY/SPARKLING BLACK

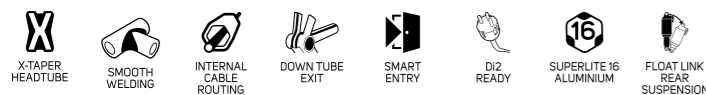
LITE Lightweight 6016 series triple butted and hydroformed aluminium frame with smooth welding. Full carbon rocker arm for even more stiffness and reduced weight. Tapered head tube and Boost standard bolt through axles for precise handling. 'Smart Entry' cable routing for rattle free running.

| XC/MARATHON | TRAIL | ALL MOUNTAIN | ENDURO |



| | |
|-----------------------|----------------------------------------------------------------------------------------------------------------------------------------------|
| FRAME | ONE-SIXTY LITE, 165mm suspension travel, material: aluminium, 27.5x2.6" max. wheelsize, 148x12mm axle standard, BB92 bottom bracket standard |
| FRAME SIZE | S, M, L, XL |
| FORK | Rock Shox Yari RC, Air, 170mm suspension travel, Tapered, 37mm fork offset, 27.5x2.8" max. wheelsize |
| SHOCK | Rock Shox Deluxe Select+, platform |
| BRAKES | Shimano Deore M6120 |
| ROTORS | Shimano RT30 |
| HEADSET | FSA NO.57/55E neck |
| HANDLEBAR | MERIDA EXPERT TR, material: aluminium, 780mm width, 20mm rise |
| HANDLEBAR STEM | MERIDA EXPERT TR, material: aluminium, 35mm diameter, 0° stem angle |
| GRIP | MERIDA EXPERT EC |
| DERAILLEUR (R) | Shimano Deore M5100 Shadow+, SGS |
| SHIFTERS | Shimano SL -MT500-IL / Shimano Deore M5100 |
| SEAT POST | MERIDA COMP TR, 30.9mm diameter, 0mm setback, S: 100mm travel seatpost - M: 125mm travel seatpost - L/XL: 150mm travel seatpost |
| SEAT CLAMP | MERIDA EXPERT |
| SADDLE | MERIDA COMP CC |
| CHAIN | KMC X11 NPBK |

| | |
|-----------------------|-----------------------------------------------------------------------------------------------------------------|
| CHAINGUARD | MRP 1X CS |
| CHAINWHEEL | Race Face Ride, 32 teeth |
| FREEWHEEL | Shimano Deore M5100, 11-51 teeth, 11 speed |
| BOTTOM BRACKET | Race Face BB BB92- Ø24mm |
| RIM | MERIDA EXPERT TR, 29mm inner width, material: aluminium, Tubeless ready (tubeless tape and valves not included) |
| HUBS | Shimano MT400-B |
| AXLES | MERIDA COMP TR |
| SPOKES | Double Butted Black stainless |
| TIRES | Maxxis Assegai / Maxxis Dissector |
| FENDER | MERIDA MTB lite-front |



ONE-SIXTY 400

ORANGE/BLUE

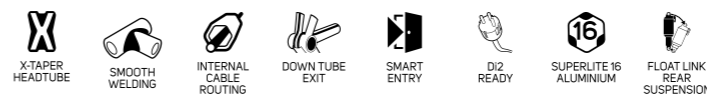
LITE Lightweight 6016 series triple butted and hydroformed aluminium frame with smooth welding. Full carbon rocker arm for even more stiffness and reduced weight. Tapered head tube and Boost standard bolt through axles for precise handling. 'Smart Entry' cable routing for rattle free running.

| XC/MARATHON | TRAIL | ALL MOUNTAIN | ENDURO |



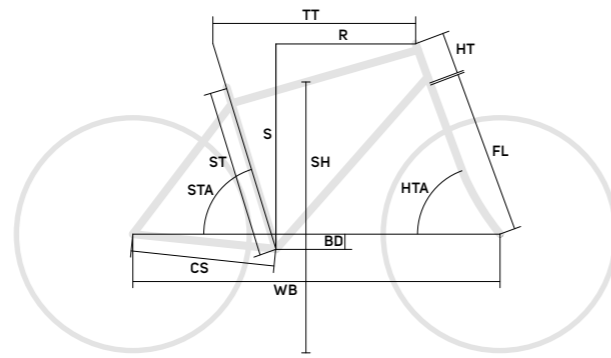
| | |
|-----------------------|----------------------------------------------------------------------------------------------------------------------------------------------|
| FRAME | ONE-SIXTY LITE, 165mm suspension travel, material: aluminium, 27.5x2.6" max. wheelsize, 148x12mm axle standard, BB92 bottom bracket standard |
| FRAME SIZE | S, M, L, XL |
| FORK | Rock Shox Yari RC, Air, 170mm suspension travel, Tapered, 37mm fork offset, 27.5x2.8" max. wheelsize |
| SHOCK | Rock Shox Deluxe Select+, platform |
| BRAKES | Shimano Deore M6120 |
| ROTORS | Shimano RT30 |
| HEADSET | FSA NO.57/55E neck |
| HANDLEBAR | MERIDA EXPERT TR, material: aluminium, 780mm width, 20mm rise |
| HANDLEBAR STEM | MERIDA EXPERT TR, material: aluminium, 35mm diameter, 0° stem angle |
| GRIP | MERIDA EXPERT EC |
| DERAILLEUR (R) | Shimano Deore M5100 Shadow+, SGS |
| SHIFTERS | Shimano SL -MT500-IL / Shimano Deore M5100 |
| SEAT POST | MERIDA COMP TR, 30.9mm diameter, 0mm setback, S: 100mm travel seatpost - M: 125mm travel seatpost - L/XL: 150mm travel seatpost |
| SEAT CLAMP | MERIDA EXPERT |
| SADDLE | MERIDA COMP CC |
| CHAIN | KMC X11 NPBK |

| | |
|-----------------------|-----------------------------------------------------------------------------------------------------------------|
| CHAINGUARD | MRP 1X CS |
| CHAINWHEEL | Race Face Ride, 32 teeth |
| FREEWHEEL | Shimano Deore M5100, 11-51 teeth, 11 speed |
| BOTTOM BRACKET | Race Face BB BB92- Ø24mm |
| RIM | MERIDA EXPERT TR, 29mm inner width, material: aluminium, Tubeless ready (tubeless tape and valves not included) |
| HUBS | Shimano MT400-B |
| AXLES | MERIDA COMP TR |
| SPOKES | Double Butted Black stainless |
| TIRES | Maxxis Assegai / Maxxis Dissector |
| FENDER | MERIDA MTB lite-front |



ONE-SIXTY

GEOMETRIES



ONE-SIXTY CFA

| FS Frame Size | S | M | L |
|-----------------------------|-------|-------|-------|
| TS Tire Size | 27.5" | 27.5" | 27.5" |
| ST seat tube [mm] | 400 | 430 | 470 |
| TT top tube [mm] | 563 | 597 | 632 |
| CS chain stay length [mm] | 430 | 430 | 430 |
| HTA head tube angle [°] | 65.3 | 65.3 | 65.3 |
| STA seat tube angle [°] | 75 | 75 | 75 |
| BD bottom bracket drop [mm] | 6 | 6 | 6 |
| HT head tube [mm] | 100 | 110 | 125 |
| FL fork length [mm] | 562 | 562 | 562 |
| R reach [mm] | 415 | 445 | 475 |
| S stack [mm] | 592 | 601 | 614 |
| WB wheel base [mm] | 1166 | 1201 | 1237 |
| SH stand over height [mm] | 717 | 736 | 766 |

ONE-SIXTY LITE

| FS Frame Size | S | M | L | XL |
|-----------------------------|-------|-------|-------|-------|
| TS Tire Size | 27.5" | 27.5" | 27.5" | 27.5" |
| ST seat tube [mm] | 400 | 430 | 470 | 490 |
| TT top tube [mm] | 559 | 591 | 630 | 648 |
| CS chain stay length [mm] | 430 | 430 | 430 | 430 |
| HTA head tube angle [°] | 65.3 | 65.3 | 65.3 | 65.3 |
| STA seat tube angle [°] | 75 | 75 | 75 | 75 |
| BD bottom bracket drop [mm] | 6 | 6 | 6 | 6 |
| HT head tube [mm] | 105 | 110 | 125 | 130 |
| FL fork length [mm] | 562 | 562 | 562 | 562 |
| R reach [mm] | 410 | 440 | 474 | 490 |
| S stack [mm] | 595 | 599 | 613 | 617 |
| WB wheel base [mm] | 1157 | 1189 | 1223 | 1247 |
| SH stand over height [mm] | 713 | 734 | 757 | 765 |

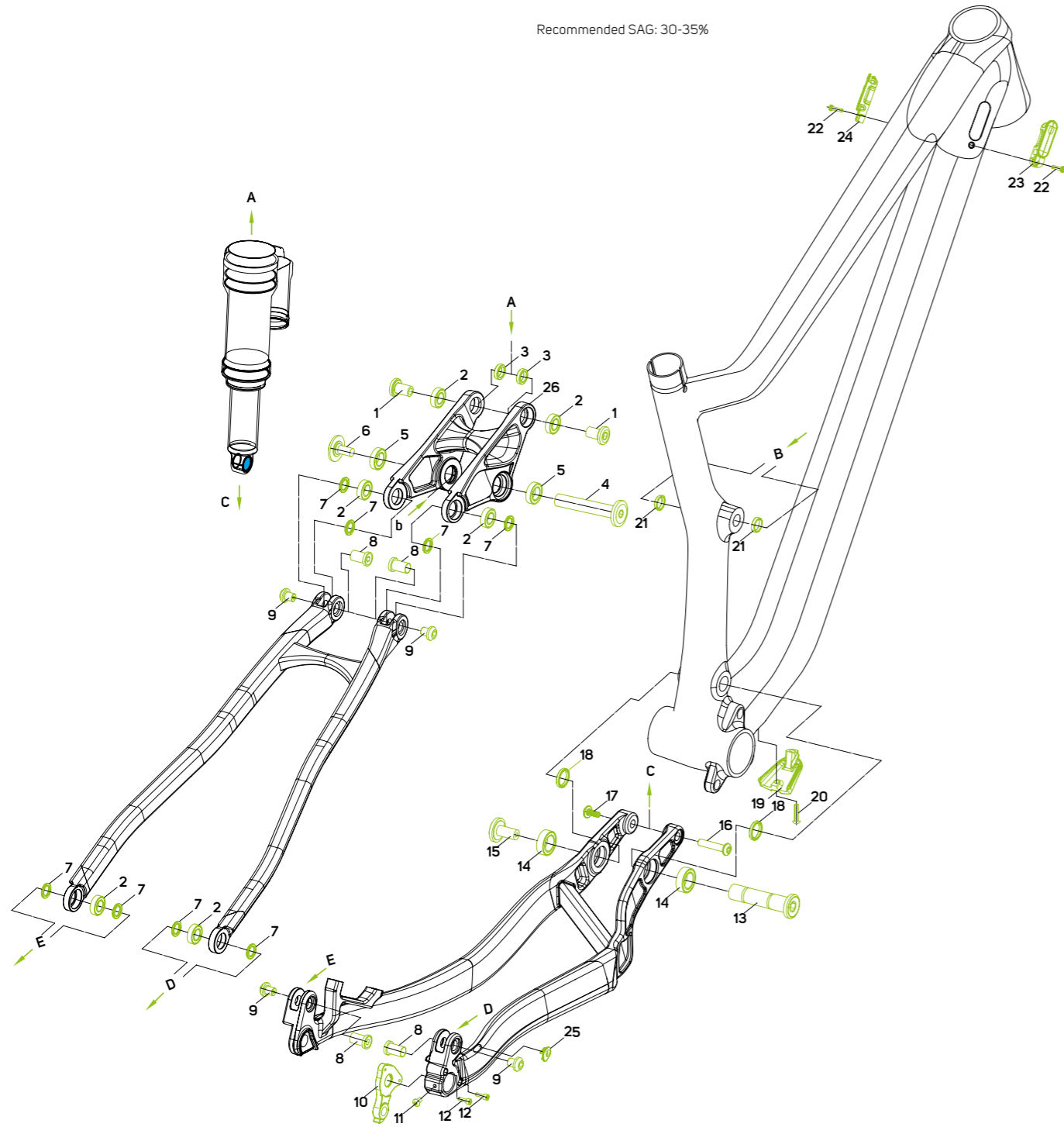
FRAME INTERFACES

| | CFA | LITE |
|------------------------------|------------------------|------------------------|
| MAX. WHEELSIZE | 27.5x2.6" | 27.5x2.6" |
| MAX. CHAINRING | 1x34T | 1x34T |
| HEAD TUBE | | |
| TAPERED 1-1/8" - 1.5" | • | • |
| HEADSET | | |
| SEMI-INTEGRATED (44-55 mm) | • | • |
| BRAKE STANDARD | | |
| DISC BRAKE ON CHAIN STAY | • | • |
| POST MOUNT 180 mm REAR BRAKE | • | • |
| BB-STANDARD | | |
| BB 92 | • | • |
| SEATPOST DIAMETER | | |
| 30.9 mm | • | • |
| REAR DROPOUT-STANDARD | | |
| THRU AXLE 12x148 mm | • | • |
| CABLE ROUTING | | |
| INTERNAL SHIFTING CABLES | • | • |
| INTERNAL BRAKE CABLE | • | • |
| INTERNAL SEAT POST CABLE | • | • |
| ISCG 05 | • | • |
| FD-STANDARD | 1x specific | 1x specific |
| FRAMEWEIGHT | 2400g in size M +/- 3% | 3020g in size M +/- 3% |
| RD HANGER | | DH-053 |

* Frame weight only! Without axle, frame protectors, saddle clamp, hanger, steerer cups and cable guides (weight is also depending on the frame color)



| | mm | SHAFT EYELET | | BODY EYELET | |
|-------------------------|--------------|--------------|--------|-------------|--------|
| | | PIN WIDTH | PIN ID | PIN WIDTH | PIN ID |
| | 205 x 62.5mm | - | - | 40 mm | 8 mm |
| Recommended SAG: 30-35% | | | | | |



| No. | Item No. | Item | Detail information | Pieces | Torque Nm | No. | Item No. | Item | Detail information | Pieces | Torque Nm |
|-----|------------|---------|-----------------------|--------|-----------|-----|------------|-------------|--------------------|--------|-----------|
| 1 | 2300011274 | BOLT | | 2 | 14 | 15 | 2300011304 | SCREW | | 1 | 14 |
| 2 | 2221002254 | BEARING | 6800V-2RS 19D*10D*5W | 6 | | 16 | 2300012491 | BOLT | | 1 | 10 |
| 3 | 2294004440 | WASHER | | 2 | | 17 | 2300012480 | SCREW | | 1 | 10 |
| 4 | 2300011296 | BOLT | | 1 | 12 | 18 | 2294004462 | WASHER | | 2 | |
| 5 | 2221002209 | BEARING | 6801V-2RS 21D*12D*5W | 2 | | 19 | 2258003867 | CABLE GUIDE | | 1 | |
| 6 | 2300011285 | SCREW | | 1 | 12 | 20 | 2300009890 | SCREW | | 1 | 5 |
| 7 | 2294004451 | WASHER | | 8 | | 21 | 2294004439 | WASHER | | 2 | 4 |
| 8 | 2300011263 | BOLT | | 4 | 12 | 22 | 2300011412 | SCREW | | 2 | 4 |
| 9 | 2300011252 | SCREW | | 4 | 12 | 23 | | SMART ENTRY | (see page 606) | | |
| 10 | 2311004928 | DROPOUT | DH-053 (see page 608) | 1 | | 24 | | SMART ENTRY | (see page 606) | | |
| 11 | 2300005272 | SCREW | | 1 | 5 | 25 | 2258003812 | CABLE GUIDE | | 1 | |
| 12 | 2300010950 | SCREW | | 2 | 5 | 26 | - | ROCKER | | 1 | |
| 13 | 2300011315 | BOLT | | 1 | 14 | | | | | | |
| 14 | 2221002395 | BEARING | 3802V-2RD 24D*15D*7W | 2 | | | | | | | |



BIG.NINE/SEVEN

FAST, RELIABLE AND UNCOMPROMISING

Our classic hardtail – available as a 29er in carbon and aluminium or as a 650B aluminium option. The BIG.NINE with its racing geometry is an ideal companion on XC and marathon race tracks whilst the more relaxed geometry of the BIG.NINE/SEVEN TFS and SPEED offers a more comfortable, upright riding position.



4

MULTIPLE FRAME OPTIONS

Besides offering the BIG.NINE in a full carbon version, we also have BIG.NINE LITE and BIG.NINE/SEVEN TFS aluminium frames in our range. While the LITE features the same race-proven geometry as the carbon models, the TFS bikes offer a more relaxed geometry, through a shorter top tube and a higher head tube, resulting in a more upright riding position and enhanced trail visibility. The TFS frames feature internal cable routing (except the BIG.NINE/BIG.SEVEN 15), smooth welding, tapered head tube, inboard disc mounts, and mounts for fenders, rear rack and kickstand.

1

MODERN HARDTAIL GEOMETRY

Our carbon and LITE aluminium models feature a long 422 mm reach, steep 73.5° seat angle, slack 70° head angle and an 80 mm stem (BIG.NINE - M), affording the BIG.NINE next-generation XC geometry. Aggressive agility meets stable calmness; perfect for today's demanding courses.

2

SMART ENTRY

Cables, housings and brake hoses are clamped under tension to prevent rattling when the trail gets rough. All inlets are completely interchangeable to deal with Di2, hydraulic hoses, brake cable and gear cable housings etc.

3

DROPPER POST READY

All models down to the BIG.NINE LITE frame level feature a 30.9 mm seat post, the enhanced connection area increases the strength around the top tube/seat tube join and allows the option of fitting a dropper seat post. Models down to BIG.NINE LIMITED allow internal cable routing for the dropper post while the remaining models would require external routing.

THIS IS WHAT WE DO

Our classic hardtails are the backbone of our range and showcase the enormous wealth of experience and knowledge we were able to gain in 48 years of bike production and manufacturing. The BIG.NINE and BIG.SEVEN range symbolises the symbiosis between modern frame technology, attention to detail and craftsmanship 'Made in Taiwan'.

BIG.NINE 9000

MATT BLACK/GLOSSY CANDY GREEN

CF5 Super-light, using the highest quality carbon fibres and an EPS core (frame weight approx. 880 g BIG.NINE - M, including paint) making it one of the lightest frames in the market. Aero profiled down tube, leaf spring profiled chain and seat stays for maximum comfort. Boost axle standard and tapered head tube deliver stiffness and steering precision. 'Smart Entry' cable routing prevents rattling. Includes integrated down tube and chainstay protectors for extra frame protection.

| LEISURE | TOUR | ENDURANCE | RACE |



| | |
|-----------------------|--------------------------------------------------------------------------------------------------------------------------|
| FRAME | BIG.NINE CF5, material: carbon, 29x2.25" max. wheelsize, 148x12mm axle standard, BB92 bottom bracket standard |
| FRAME SIZE | S, M, L, XL, XXL |
| FORK | Fox Factory 32 Float SC, Air, 100mm suspension travel, Tapered, Remote lockout, 44mm fork offset, 29x2.3" max. wheelsize |
| BRAKES | Shimano XTR |
| ROTORS | Shimano RT-MT900 |
| HEADSET | FSA NO.47/50CF |
| HANDLEBAR | MERIDA TEAM CC, material: carbon, 740mm width, flat |
| HANDLEBAR STEM | MERIDA EXPERT CC, material: aluminium, 31.8mm diameter, -17° stem angle |
| GRIP | MERIDA TEAM CC |
| DERAILLEUR (R) | Shimano XTR Shadow+, SGS |
| SHIFTERS | Shimano XTR |
| SEAT POST | MERIDA TEAM CC, material: carbon, 30.9mm diameter, 0mm setback, S-Flex |
| SEAT CLAMP | MERIDA EXPERT |
| SADDLE | SCRATCH M5 PAS |
| CHAIN | Shimano XTR |
| CHAINWHEEL | Race Face Next SL, 34 teeth |

| | |
|-----------------------|-------------------------------------------------------------------------------------------------------------------------------------------------------------------------------------------------------|
| FREEWHEEL | Shimano XTR, 10-51 teeth, 12 speed |
| BOTTOM BRACKET | BB, BB92- Ø30mm, Double Row, Ext. Seal |
| RIM | DT SWISS XRC 1501 SPLINE ONE, 110x15mm width front hub, 148x12mm width rear hub, 30mm inner width, Centerlock, Shimano 12 Speed, material: carbon, Tubeless ready (tubeless tape and valves included) |
| AXLES | MERIDA EXPERT TR |
| TIRES | Maxxis Ikon |



BIG.NINE 9000

GLOSSY PEARL WHITE/MATT BLACK

CF5 Super-light, using the highest quality carbon fibres and an EPS core (frame weight approx. 880 g BIG.NINE - M, including paint) making it one of the lightest frames in the market. Aero profiled down tube, leaf spring profiled chain and seat stays for maximum comfort. Boost axle standard and tapered head tube deliver stiffness and steering precision. 'Smart Entry' cable routing prevents rattling. Includes integrated down tube and chainstay protectors for extra frame protection.

| LEISURE | TOUR | ENDURANCE | RACE |



| | |
|-----------------------|--------------------------------------------------------------------------------------------------------------------------|
| FRAME | BIG.NINE CF5, material: carbon, 29x2.25" max. wheelsize, 148x12mm axle standard, BB92 bottom bracket standard |
| FRAME SIZE | S, M, L, XL, XXL |
| FORK | Fox Factory 32 Float SC, Air, 100mm suspension travel, Tapered, Remote lockout, 44mm fork offset, 29x2.3" max. wheelsize |
| BRAKES | Shimano XTR |
| ROTORS | Shimano RT-MT900 |
| HEADSET | FSA NO.47/50CF |
| HANDLEBAR | MERIDA TEAM CC, material: carbon, 740mm width, flat |
| HANDLEBAR STEM | MERIDA EXPERT CC, material: aluminium, 31.8mm diameter, -17° stem angle |
| GRIP | MERIDA TEAM CC |
| DERAILLEUR (R) | Shimano XTR Shadow+, SGS |
| SHIFTERS | Shimano XTR |
| SEAT POST | MERIDA TEAM CC, material: carbon, 30.9mm diameter, 0mm setback, S-Flex |
| SEAT CLAMP | MERIDA EXPERT |
| SADDLE | SCRATCH M5 PAS |
| CHAIN | Shimano XTR |
| CHAINWHEEL | Race Face Next SL, 34 teeth |

| | |
|-----------------------|-------------------------------------------------------------------------------------------------------------------------------------------------------------------------------------------------------|
| FREEWHEEL | Shimano XTR, 10-51 teeth, 12 speed |
| BOTTOM BRACKET | BB, BB92- Ø30mm, Double Row, Ext. Seal |
| RIM | DT SWISS XRC 1501 SPLINE ONE, 110x15mm width front hub, 148x12mm width rear hub, 30mm inner width, Centerlock, Shimano 12 Speed, material: carbon, Tubeless ready (tubeless tape and valves included) |
| AXLES | MERIDA EXPERT TR |
| TIRES | Maxxis Ikon |



BIG.NINE 8000

TEAL/SILVER-TEAL

CF5 Super-light, using the highest quality carbon fibres and an EPS core (frame weight approx. 880 g BIG.NINE - M, including paint) making it one of the lightest frames in the market. Aero profiled down tube, leaf spring profiled chain and seat stays for maximum comfort. Boost axle standard and tapered head tube deliver stiffness and steering precision. 'Smart Entry' cable routing prevents rattling. Includes integrated down tube and chainstay protectors for extra frame protection.

| LEISURE | TOUR | ENDURANCE | RACE |



| | |
|-----------------------|----------------------------------------------------------------------------------------------------------------------------|
| FRAME | BIG.NINE CF5, material: carbon, 29x2.25" max. wheelsize, 148x12mm axle standard, BB92 bottom bracket standard |
| FRAME SIZE | S, M, L, XL, XXL |
| FORK | Rock Shox SID SL Ultimate, Air, 100mm suspension travel, Tapered, Remote lockout, 42mm fork offset, 29x2.8" max. wheelsize |
| BRAKES | Sram G2 RSC |
| ROTORS | Sram Centerline X |
| HEADSET | FSA NO.47/50CF |
| HANDLEBAR | MERIDA TEAM CC, material: carbon, 740mm width, flat |
| HANDLEBAR STEM | MERIDA EXPERT CC, material: aluminium, 31.8mm diameter, -17° stem angle |
| GRIP | MERIDA TEAM CC |
| DERAILLEUR (R) | Sram GX Eagle |
| SHIFTERS | Sram GX Eagle |
| SEAT POST | MERIDA TEAM CC, material: carbon, 30.9mm diameter, 0mm setback, S-Flex |
| SEAT CLAMP | MERIDA EXPERT |
| SADDLE | SCRATCH M5 PAS |
| CHAINWHEEL | Sram Carbon GX Eagle, 34 teeth |
| FREEWHEEL | Sram XG-1299 Eagle, 10-52 teeth, 12 speed |

| | |
|-----------------------|---------------------------------------------------------------------------------------------------------------------------------------------------------------------------------|
| BOTTOM BRACKET | Sram BB DUB PF MTB 92 |
| RIM | Reynolds TR 249, 110x15mm width front hub, 148x12mm width rear hub, 24mm inner width, Centerlock, Sram XD, material: carbon, Tubeless ready (tubeless tape and valves included) |
| WHEELSET | Sram XX1 Eagle |
| AXLES | MERIDA EXPERT TR |
| TIRES | Maxxis Ikon |



BIG.NINE 8000

GLOSSY PEARL WHITE/MATT BLACK

CF5 Super-light, using the highest quality carbon fibres and an EPS core (frame weight approx. 880 g BIG.NINE - M, including paint) making it one of the lightest frames in the market. Aero profiled down tube, leaf spring profiled chain and seat stays for maximum comfort. Boost axle standard and tapered head tube deliver stiffness and steering precision. 'Smart Entry' cable routing prevents rattling. Includes integrated down tube and chainstay protectors for extra frame protection.

| LEISURE | TOUR | ENDURANCE | RACE |



| | |
|-----------------------|----------------------------------------------------------------------------------------------------------------------------|
| FRAME | BIG.NINE CF5, material: carbon, 29x2.25" max. wheelsize, 148x12mm axle standard, BB92 bottom bracket standard |
| FRAME SIZE | S, M, L, XL, XXL |
| FORK | Rock Shox SID SL Ultimate, Air, 100mm suspension travel, Tapered, Remote lockout, 42mm fork offset, 29x2.8" max. wheelsize |
| BRAKES | Sram G2 RSC |
| ROTORS | Sram Centerline X |
| HEADSET | FSA NO.47/50CF |
| HANDLEBAR | MERIDA TEAM CC, material: carbon, 740mm width, flat |
| HANDLEBAR STEM | MERIDA EXPERT CC, material: aluminium, 31.8mm diameter, -17° stem angle |
| GRIP | MERIDA TEAM CC |
| DERAILLEUR (R) | Sram GX Eagle |
| SHIFTERS | Sram GX Eagle |
| SEAT POST | MERIDA TEAM CC, material: carbon, 30.9mm diameter, 0mm setback, S-Flex |
| SEAT CLAMP | MERIDA EXPERT |
| SADDLE | SCRATCH M5 PAS |
| CHAINWHEEL | Sram Carbon GX Eagle, 34 teeth |
| FREEWHEEL | Sram XG-1299 Eagle, 10-52 teeth, 12 speed |

| | |
|-----------------------|---------------------------------------------------------------------------------------------------------------------------------------------------------------------------------|
| BOTTOM BRACKET | Sram BB DUB PF MTB 92 |
| RIM | Reynolds TR 249, 110x15mm width front hub, 148x12mm width rear hub, 24mm inner width, Centerlock, Sram XD, material: carbon, Tubeless ready (tubeless tape and valves included) |
| WHEELSET | Sram XX1 Eagle |
| AXLES | MERIDA EXPERT TR |
| TIRES | Maxxis Ikon |



BIG.NINE 7000

GLOSSY PEARL WHITE/MATT BLACK

CF3 XC focused carbon frame (approx. 1.29 kg BIG.NINE - M). Aero profiled down tube, leaf spring profiled chain and seat stays for comfort. BB92 bottom bracket. Boost axle standard and tapered head tube deliver stiffness and steering precision. 'Smart Entry' cable routing prevents rattling. Includes integrated down tube and chainstay protectors for extra frame protection.

| LEISURE | TOUR | ENDURANCE | RACE |



| | |
|----------------------|--------------------------------------------------------------------------------------------------------------------------|
| FRAME | BIG.NINE CF3, material: carbon, 29x2.25" max. wheelsize, 148x12mm axle standard, BB92 bottom bracket standard |
| FRAME SIZE | S, M, L, XL, XXL |
| FORK | Rock Shox SID SL Select, Air, 100mm suspension travel, Tapered, Remote lockout, 42mm fork offset, 29x2.8" max. wheelsize |
| BRAKES | Shimano XT |
| ROTORS | Shimano RT-MT800 |
| HEADSET | FSA NO.55E |
| HANDLEBAR | MERIDA EXPERT CC, material: aluminium, 720mm width, flat |
| GRIP | MERIDA TEAM CC |
| SHIFTERS | Shimano XT |
| SEAT POST | MERIDA TEAM CC, material: carbon, 30.9mm diameter, 0mm setback, S-Flex |
| SEAT CLAMP | MERIDA EXPERT |
| SADDLE | MERIDA EXPERT CC |
| CHAIN | Shimano XT |
| CHAINWHEEL | Shimano XT, 32 teeth |
| FREEWHEEL | Shimano XT, 10-51 teeth, 12 speed |
| BOTTOM BRAKET | Shimano MT800-PA pressfit |

| | |
|-----------------|------------------------------------------------------------------------------------------------------------------------------------------------------------------------------------------|
| RIM | Reynolds TR 249, 110x15mm width front hub, 148x12mm width rear hub, 24mm inner width, Centerlock, Shimano 12 Speed, material: carbon, Tubeless ready (tubeless tape and valves included) |
| WHEELSET | MERIDA EXPERT CC, material: aluminium, 31.8mm diameter, -17° stem angle |
| AXLES | MERIDA EXPERT TR |
| TIRES | Maxxis Ikon |



BIG.NINE 7000

BLACK/GREEN

CF3 XC focused carbon frame (approx. 1.29 kg BIG.NINE - M). Aero profiled down tube, leaf spring profiled chain and seat stays for comfort. BB92 bottom bracket. Boost axle standard and tapered head tube deliver stiffness and steering precision. 'Smart Entry' cable routing prevents rattling. Includes integrated down tube and chainstay protectors for extra frame protection.

| LEISURE | TOUR | ENDURANCE | RACE |



| | |
|----------------------|--------------------------------------------------------------------------------------------------------------------------|
| FRAME | BIG.NINE CF3, material: carbon, 29x2.25" max. wheelsize, 148x12mm axle standard, BB92 bottom bracket standard |
| FRAME SIZE | S, M, L, XL, XXL |
| FORK | Rock Shox SID SL Select, Air, 100mm suspension travel, Tapered, Remote lockout, 42mm fork offset, 29x2.8" max. wheelsize |
| BRAKES | Shimano XT |
| ROTORS | Shimano RT-MT800 |
| HEADSET | FSA NO.55E |
| HANDLEBAR | MERIDA EXPERT CC, material: aluminium, 720mm width, flat |
| GRIP | MERIDA TEAM CC |
| SHIFTERS | Shimano XT |
| SEAT POST | MERIDA TEAM CC, material: carbon, 30.9mm diameter, 0mm setback, S-Flex |
| SEAT CLAMP | MERIDA EXPERT |
| SADDLE | MERIDA EXPERT CC |
| CHAIN | Shimano XT |
| CHAINWHEEL | Shimano XT, 32 teeth |
| FREEWHEEL | Shimano XT, 10-51 teeth, 12 speed |
| BOTTOM BRAKET | Shimano MT800-PA pressfit |

| | |
|-----------------|------------------------------------------------------------------------------------------------------------------------------------------------------------------------------------------|
| RIM | Reynolds TR 249, 110x15mm width front hub, 148x12mm width rear hub, 24mm inner width, Centerlock, Shimano 12 Speed, material: carbon, Tubeless ready (tubeless tape and valves included) |
| WHEELSET | MERIDA EXPERT CC, material: aluminium, 31.8mm diameter, -17° stem angle |
| AXLES | MERIDA EXPERT TR |
| TIRES | Maxxis Ikon |



BIG.NINE XT

GLOSSY PEARL WHITE/MATT BLACK

CF3 XC focused carbon frame (approx. 1.29 kg BIG.NINE - M). Aero profiled down tube, leaf spring profiled chain and seat stays for comfort. BB92 bottom bracket. Boost axle standard and tapered head tube deliver stiffness and steering precision. 'Smart Entry' cable routing prevents rattling. Includes integrated down tube and chainstay protectors for extra frame protection.

| LEISURE | TOUR | ENDURANCE | RACE |



| | |
|-----------------------|--------------------------------------------------------------------------------------------------------------------------|
| FRAME | BIG.NINE CF3, material: carbon, 29x2.25" max. wheelsize, 148x12mm axle standard, BB92 bottom bracket standard |
| FRAME SIZE | S, M, L, XL, XXL |
| FORK | Rock Shox Reba RL, Air, 100mm suspension travel, Tapered, Remote lockout, 51mm fork offset |
| BRAKES | Shimano XT |
| ROTORS | Shimano RT54 |
| HEADSET | FSA NO.55E |
| HANDLEBAR | MERIDA EXPERT CC, material: aluminium, 720mm width, flat |
| HANDLEBAR STEM | MERIDA EXPERT CC, material: aluminium, 31.8mm diameter, -6° stem angle, S-70 mm, M-80 mm, L-90 mm, XL-100 mm, XXL-110 mm |
| GRIP | MERIDA EXPERT EC |
| DERAILLEUR (R) | Shimano XT M8100 Shadow+, SGS |
| SHIFTERS | Shimano XT |
| SEAT POST | MERIDA EXPERT CC, material: carbon, 30.9mm diameter, 0mm setback |
| SEAT CLAMP | MERIDA EXPERT |
| SADDLE | MERIDA EXPERT CC |
| CHAIN | Shimano SLX |
| CHAINWHEEL | Shimano XT, 32 teeth, 170 mm-S, 175 mm-M up |

| | |
|-----------------------|-------------------------------------------------------------------------------------------------------------------|
| FREEWHEEL | Shimano SLX, 10-51 teeth, 12 speed |
| BOTTOM BRACKET | Shimano MT500-PA pressfit |
| RIM | MERIDA EXPERT CC, 22.8mm inner width, material: aluminium, Tubeless ready (tubeless tape and valves not included) |
| HUBS | Shimano SLX |
| AXLES | MERIDA EXPERT TR |
| SPOKES | Double Butted Black stainless |
| TIRES | Maxxis Ikon |



BIG.NINE XT

BLACK/X'MAS RED

CF3 XC focused carbon frame (approx. 1.29 kg BIG.NINE - M). Aero profiled down tube, leaf spring profiled chain and seat stays for comfort. BB92 bottom bracket. Boost axle standard and tapered head tube deliver stiffness and steering precision. 'Smart Entry' cable routing prevents rattling. Includes integrated down tube and chainstay protectors for extra frame protection.

| LEISURE | TOUR | ENDURANCE | RACE |



| | |
|-----------------------|--------------------------------------------------------------------------------------------------------------------------|
| FRAME | BIG.NINE CF3, material: carbon, 29x2.25" max. wheelsize, 148x12mm axle standard, BB92 bottom bracket standard |
| FRAME SIZE | S, M, L, XL, XXL |
| FORK | Rock Shox Reba RL, Air, 100mm suspension travel, Tapered, Remote lockout, 51mm fork offset |
| BRAKES | Shimano XT |
| ROTORS | Shimano RT54 |
| HEADSET | FSA NO.55E |
| HANDLEBAR | MERIDA EXPERT CC, material: aluminium, 720mm width, flat |
| HANDLEBAR STEM | MERIDA EXPERT CC, material: aluminium, 31.8mm diameter, -6° stem angle, S-70 mm, M-80 mm, L-90 mm, XL-100 mm, XXL-110 mm |
| GRIP | MERIDA EXPERT EC |
| DERAILLEUR (R) | Shimano XT M8100 Shadow+, SGS |
| SHIFTERS | Shimano XT |
| SEAT POST | MERIDA EXPERT CC, material: carbon, 30.9mm diameter, 0mm setback |
| SEAT CLAMP | MERIDA EXPERT |
| SADDLE | MERIDA EXPERT CC |
| CHAIN | Shimano SLX |
| CHAINWHEEL | Shimano XT, 32 teeth, 170 mm-S, 175 mm-M up |

| | |
|-----------------------|-------------------------------------------------------------------------------------------------------------------|
| FREEWHEEL | Shimano SLX, 10-51 teeth, 12 speed |
| BOTTOM BRACKET | Shimano MT500-PA pressfit |
| RIM | MERIDA EXPERT CC, 22.8mm inner width, material: aluminium, Tubeless ready (tubeless tape and valves not included) |
| HUBS | Shimano SLX |
| AXLES | MERIDA EXPERT TR |
| SPOKES | Double Butted Black stainless |
| TIRES | Maxxis Ikon |



BIG.NINE 5000

GLOSSY PEARL WHITE/MATT BLACK

CF3 XC focused carbon frame (approx. 1.29 kg BIG.NINE - M). Aero profiled down tube, leaf spring profiled chain and seat stays for comfort. BB92 bottom bracket. Boost axle standard and tapered head tube deliver stiffness and steering precision. 'Smart Entry' cable routing prevents rattling. Includes integrated down tube and chainstay protectors for extra frame protection.

| LEISURE | TOUR | ENDURANCE | RACE |



| | |
|-----------------------|--------------------------------------------------------------------------------------------------------------------|
| FRAME | BIG.NINE CF3, material: carbon, 29x2.25" max. wheelsize, 148x12mm axle standard, BB92 bottom bracket standard |
| FRAME SIZE | S, M, L, XL, XXL |
| FORK | Rock Shox Reba RL, Air, 100mm suspension travel, Tapered, Remote lockout, 51mm fork offset, 29x2.8" max. wheelsize |
| BRAKES | Shimano M6100 |
| ROTORS | Shimano RT54 |
| HEADSET | FSA NO.55E, AL cap with STS bolt+ ST stop nut |
| HANDLEBAR | MERIDA EXPERT CC, material: aluminium, 720mm width, flat |
| HANDLEBAR STEM | MERIDA EXPERT CC, material: aluminium, 31.8mm diameter, -6° stem angle |
| GRIP | MERIDA EXPERT EC |
| DERAILLEUR (R) | Shimano XT M8100 Shadow+, SGS |
| SEAT POST | MERIDA EXPERT CC, material: carbon, 30.9mm diameter, 0mm setback |
| SEAT CLAMP | MERIDA EXPERT |
| SADDLE | MERIDA COMP CC |
| CHAIN | KMC X12 |
| CHAINWHEEL | Shimano SLX, 32 teeth |
| FREEWHEEL | Shimano Deore M6100, 10-51 teeth, 12 speed |

| | |
|-----------------------|-------------------------------------------------------------------------------------------------------------------|
| BOTTOM BRACKET | Shimano MT500-PA pressfit |
| RIM | MERIDA EXPERT CC, 22.8mm inner width, material: aluminium, Tubeless ready (tubeless tape and valves not included) |
| HUBS | Shimano MT400-B / Shimano MT410-B |
| AXLES | MERIDA EXPERT TR |
| SPOKES | Double Butted Black stainless |
| TIRES | Maxxis Ikon |



BIG.NINE 5000

BLACK/ORANGE

CF3 XC focused carbon frame (approx. 1.29 kg BIG.NINE - M). Aero profiled down tube, leaf spring profiled chain and seat stays for comfort. BB92 bottom bracket. Boost axle standard and tapered head tube deliver stiffness and steering precision. 'Smart Entry' cable routing prevents rattling. Includes integrated down tube and chainstay protectors for extra frame protection.

| LEISURE | TOUR | ENDURANCE | RACE |



| | |
|-----------------------|--------------------------------------------------------------------------------------------------------------------|
| FRAME | BIG.NINE CF3, material: carbon, 29x2.25" max. wheelsize, 148x12mm axle standard, BB92 bottom bracket standard |
| FRAME SIZE | S, M, L, XL, XXL |
| FORK | Rock Shox Reba RL, Air, 100mm suspension travel, Tapered, Remote lockout, 51mm fork offset, 29x2.8" max. wheelsize |
| BRAKES | Shimano M6100 |
| ROTORS | Shimano RT54 |
| HEADSET | FSA NO.55E, AL cap with STS bolt+ ST stop nut |
| HANDLEBAR | MERIDA EXPERT CC, material: aluminium, 720mm width, flat |
| HANDLEBAR STEM | MERIDA EXPERT CC, material: aluminium, 31.8mm diameter, -6° stem angle |
| GRIP | MERIDA EXPERT EC |
| DERAILLEUR (R) | Shimano XT M8100 Shadow+, SGS |
| SEAT POST | MERIDA EXPERT CC, material: carbon, 30.9mm diameter, 0mm setback |
| SEAT CLAMP | MERIDA EXPERT |
| SADDLE | MERIDA COMP CC |
| CHAIN | KMC X12 |
| CHAINWHEEL | Shimano SLX, 32 teeth |
| FREEWHEEL | Shimano Deore M6100, 10-51 teeth, 12 speed |

| | |
|-----------------------|-------------------------------------------------------------------------------------------------------------------|
| BOTTOM BRACKET | Shimano MT500-PA pressfit |
| RIM | MERIDA EXPERT CC, 22.8mm inner width, material: aluminium, Tubeless ready (tubeless tape and valves not included) |
| HUBS | Shimano MT400-B / Shimano MT410-B |
| AXLES | MERIDA EXPERT TR |
| SPOKES | Double Butted Black stainless |
| TIRES | Maxxis Ikon |



BIG.NINE 3000

GLOSSY PEARL WHITE/MATT BLACK

CF3 XC focused carbon frame (approx. 1.29 kg BIG.NINE - M). Aero profiled down tube, leaf spring profiled chain and seat stays for comfort. BB92 bottom bracket. Boost axle standard and tapered head tube deliver stiffness and steering precision. 'Smart Entry' cable routing prevents rattling. Includes integrated down tube and chainstay protectors for extra frame protection.

| LEISURE | TOUR | ENDURANCE | RACE |



| | |
|-----------------------|----------------------------------------------------------------------------------------------------------------------|
| FRAME | BIG.NINE CF3, material: carbon, 29x2.25" max. wheelsize, 148x12mm axle standard, BB92 bottom bracket standard |
| FRAME SIZE | S, M, L, XL, XXL |
| FORK | Manitou Markhor Comp, Air, 100mm suspension travel, Tapered, Remote lockout, 51mm fork offset, 29x3.0" max wheelsize |
| BRAKES | Tektro M275 |
| ROTORS | Shimano RT10 |
| HEADSET | FSA NO.55E |
| HANDLEBAR | MERIDA EXPERT CC, material: aluminium, 720mm width, flat |
| HANDLEBAR STEM | MERIDA EXPERT CC, material: aluminium, 31.8mm diameter, -6° stem angle |
| GRIP | MERIDA COMP EC |
| DERAILLEUR (R) | Shimano XT M8100 Shadow+, SGS |
| SHIFTERS | Shimano Deore M6100 |
| SEAT POST | MERIDA COMP CC, material: aluminium, 30.9mm diameter, 0mm setback |
| SEAT CLAMP | MERIDA EXPERT |
| SADDLE | MERIDA COMP CC, MERIDA EXPERT |
| CHAIN | KMC X12 |
| CHAINWHEEL | Shimano Deore M6100, 32 teeth |

| | |
|-----------------------|-------------------------------------------------------|
| FREEWHEEL | Shimano Deore M6100, 10-51 teeth, 12 speed |
| BOTTOM BRACKET | Shimano MT500-PA pressfit |
| RIM | MERIDA COMP CC, 20mm inner width, material: aluminium |
| HUBS | Shimano MT400-B / Shimano MT410-B |
| WHEELSET | Ultralite-29 |
| AXLES | MERIDA EXPERT TR |
| SPOKES | Black stainless |
| TIRES | Maxxis Ikon |



BIG.NINE 3000

SILK LIME/TEAL-BLUE

CF3 XC focused carbon frame (approx. 1.29 kg BIG.NINE - M). Aero profiled down tube, leaf spring profiled chain and seat stays for comfort. BB92 bottom bracket. Boost axle standard and tapered head tube deliver stiffness and steering precision. 'Smart Entry' cable routing prevents rattling. Includes integrated down tube and chainstay protectors for extra frame protection.

| LEISURE | TOUR | ENDURANCE | RACE |



| | |
|-----------------------|----------------------------------------------------------------------------------------------------------------------|
| FRAME | BIG.NINE CF3, material: carbon, 29x2.25" max. wheelsize, 148x12mm axle standard, BB92 bottom bracket standard |
| FRAME SIZE | S, M, L, XL, XXL |
| FORK | Manitou Markhor Comp, Air, 100mm suspension travel, Tapered, Remote lockout, 51mm fork offset, 29x3.0" max wheelsize |
| BRAKES | Tektro M275 |
| ROTORS | Shimano RT10 |
| HEADSET | FSA NO.55E |
| HANDLEBAR | MERIDA EXPERT CC, material: aluminium, 720mm width, flat |
| HANDLEBAR STEM | MERIDA EXPERT CC, material: aluminium, 31.8mm diameter, -6° stem angle |
| GRIP | MERIDA COMP EC |
| DERAILLEUR (R) | Shimano XT M8100 Shadow+, SGS |
| SHIFTERS | Shimano Deore M6100 |
| SEAT POST | MERIDA COMP CC, material: aluminium, 30.9mm diameter, 0mm setback |
| SEAT CLAMP | MERIDA EXPERT |
| SADDLE | MERIDA COMP CC, MERIDA EXPERT |
| CHAIN | KMC X12 |
| CHAINWHEEL | Shimano Deore M6100, 32 teeth |

| | |
|-----------------------|-------------------------------------------------------|
| FREEWHEEL | Shimano Deore M6100, 10-51 teeth, 12 speed |
| BOTTOM BRACKET | Shimano MT500-PA pressfit |
| RIM | MERIDA COMP CC, 20mm inner width, material: aluminium |
| HUBS | Shimano MT400-B / Shimano MT410-B |
| WHEELSET | Ultralite-29 |
| AXLES | MERIDA EXPERT TR |
| SPOKES | Black stainless |
| TIRES | Maxxis Ikon |





BIG.NINE 700

MATT BLACK (GLOSSY BLACK)

LITE XC focused lightweight. 6066 triple butted aluminium with aero profiled tubes. BB92 bottom bracket, Boost axle standard and tapered head tube deliver stiffness and steering precision. Includes integrated down tube and chainstay protectors for extra frame protection.

| LEISURE | TOUR | ENDURANCE | RACE |



| | |
|-----------------------|----------------------------------------------------------------------------------------------------------------------|
| FRAME | BIG.NINE LITE, material: aluminium, 29x2.25" max. wheelsize, 148x12mm axle standard, BB92 bottom bracket standard |
| FRAME SIZE | S, M, L, XL, XXL |
| FORK | Manitou Markhor Comp, Air, 100mm suspension travel, Tapered, Remote lockout, 51mm fork offset, 29x3.0" max wheelsize |
| BRAKES | Shimano XT |
| ROTORS | Shimano RT54 |
| HEADSET | MERIDA M2331 |
| HANDLEBAR | MERIDA EXPERT CC, material: aluminium, 720mm width, flat |
| HANDLEBAR STEM | MERIDA EXPERT CC, material: aluminium, 31.8mm diameter, -6° stem angle |
| GRIP | MERIDA COMP EC |
| DERAILLEUR (F) | Shimano XT |
| DERAILLEUR (R) | Shimano XT M8120 Shadow+, SGS |
| SHIFTERS | Shimano XT |
| SEAT POST | MERIDA COMP CC, material: aluminium, 30.9mm diameter, 0mm setback |
| SEAT CLAMP | MERIDA EXPERT |
| SADDLE | MERIDA COMP CC |
| CHAIN | KMC X12 |

| | |
|-----------------------|-------------------------------------------------------------------------------------------------------------------|
| CHAINWHEEL | Shimano XT, 36-26 teeth |
| FREEWHEEL | Shimano SLX, 10-45 teeth, 12 speed |
| BOTTOM BRACKET | Shimano MT500-PA pressfit |
| RIM | MERIDA EXPERT CC, 22.8mm inner width, material: aluminium, Tubeless ready (tubeless tape and valves not included) |
| HUBS | Shimano SLX |
| AXLES | MERIDA EXPERT TR |
| SPOKES | Double Butted Black stainless |
| TIRES | Maxxis Ikon |



BIG.NINE 700

MATT FOG GREEN (GLOSSY MOSS GREEN)

LITE XC focused lightweight. 6066 triple butted aluminium with aero profiled tubes. BB92 bottom bracket, Boost axle standard and tapered head tube deliver stiffness and steering precision. Includes integrated down tube and chainstay protectors for extra frame protection.

| LEISURE | TOUR | ENDURANCE | RACE |




| | |
|-----------------------|----------------------------------------------------------------------------------------------------------------------|
| FRAME | BIG.NINE LITE, material: aluminium, 29x2.25" max. wheelsize, 148x12mm axle standard, BB92 bottom bracket standard |
| FRAME SIZE | S, M, L, XL, XXL |
| FORK | Manitou Markhor Comp, Air, 100mm suspension travel, Tapered, Remote lockout, 51mm fork offset, 29x3.0" max wheelsize |
| BRAKES | Shimano XT |
| ROTORS | Shimano RT54 |
| HEADSET | MERIDA M2331 |
| HANDLEBAR | MERIDA EXPERT CC, material: aluminium, 720mm width, flat |
| HANDLEBAR STEM | MERIDA EXPERT CC, material: aluminium, 31.8mm diameter, -6° stem angle |
| GRIP | MERIDA COMP EC |
| DERAILLEUR (F) | Shimano XT |
| DERAILLEUR (R) | Shimano XT M8120 Shadow+, SGS |
| SHIFTERS | Shimano XT |
| SEAT POST | MERIDA COMP CC, material: aluminium, 30.9mm diameter, 0mm setback |
| SEAT CLAMP | MERIDA EXPERT |
| SADDLE | MERIDA COMP CC |
| CHAIN | KMC X12 |

| | |
|-----------------------|-------------------------------------------------------------------------------------------------------------------|
| CHAINWHEEL | Shimano XT, 36-26 teeth |
| FREEWHEEL | Shimano SLX, 10-45 teeth, 12 speed |
| BOTTOM BRACKET | Shimano MT500-PA pressfit |
| RIM | MERIDA EXPERT CC, 22.8mm inner width, material: aluminium, Tubeless ready (tubeless tape and valves not included) |
| HUBS | Shimano SLX |
| AXLES | MERIDA EXPERT TR |
| SPOKES | Double Butted Black stainless |
| TIRES | Maxxis Ikon |



BIG.NINE LIMITED

MATT BLACK (GLOSSY BLACK)

 **LITE** XC focused lightweight. 6066 triple butted aluminium with aero profiled tubes. BB92 bottom bracket, Boost axle standard and tapered head tube deliver stiffness and steering precision. Includes integrated down tube and chainstay protectors for extra frame protection.

| LEISURE | TOUR | ENDURANCE | **RACE** |




| | |
|-----------------------|----------------------------------------------------------------------------------------------------------------------|
| FRAME | BIG.NINE LITE, material: aluminium, 29x2.25" max. wheelsize, 148x12mm axle standard, BB92 bottom bracket standard |
| FRAME SIZE | S, M, L, XL, XXL |
| FORK | Manitou Markhor Comp, Air, 100mm suspension travel, Tapered, Remote lockout, 51mm fork offset, 29x3.0" max wheelsize |
| BRAKES | Tektro M275 |
| ROTORS | Shimano RT10 |
| HEADSET | MERIDA M2331 |
| HANDLEBAR | MERIDA EXPERT CC, material: aluminium, 720mm width, flat |
| HANDLEBAR STEM | MERIDA EXPERT CC, material: aluminium, 31.8mm diameter, -6° stem angle |
| GRIP | MERIDA COMP EC |
| DERAILLEUR (R) | Shimano Deore M5100 Shadow+, SGS |
| SHIFTERS | Shimano Deore M5100 |
| SEAT POST | MERIDA COMP CC, material: aluminium, 30.9mm diameter, 0mm setback |
| SEAT CLAMP | MERIDA EXPERT |
| SADDLE | MERIDA COMP CC |
| CHAIN | KMC X12 |
| CHAINWHEEL | Shimano Deore M5100, 32 teeth |

| | |
|-----------------------|-------------------------------------------------------|
| FREEWHEEL | Shimano Deore M5100, 11-51 teeth, 11 speed |
| BOTTOM BRACKET | Shimano MT500-PA pressfit |
| RIM | MERIDA COMP CC, 20mm inner width, material: aluminium |
| HUBS | Shimano MT400-B |
| AXLES | MERIDA EXPERT TR |
| SPOKES | Black stainless |
| TIRES | Maxxis Ikon |



BIG.NINE LIMITED

GLOSSY RACE RED (MATT RED)

 **LITE** XC focused lightweight. 6066 triple butted aluminium with aero profiled tubes. BB92 bottom bracket, Boost axle standard and tapered head tube deliver stiffness and steering precision. Includes integrated down tube and chainstay protectors for extra frame protection.

| LEISURE | TOUR | ENDURANCE | **RACE** |




| | |
|-----------------------|----------------------------------------------------------------------------------------------------------------------|
| FRAME | BIG.NINE LITE, material: aluminium, 29x2.25" max. wheelsize, 148x12mm axle standard, BB92 bottom bracket standard |
| FRAME SIZE | S, M, L, XL, XXL |
| FORK | Manitou Markhor Comp, Air, 100mm suspension travel, Tapered, Remote lockout, 51mm fork offset, 29x3.0" max wheelsize |
| BRAKES | Tektro M275 |
| ROTORS | Shimano RT10 |
| HEADSET | MERIDA M2331 |
| HANDLEBAR | MERIDA EXPERT CC, material: aluminium, 720mm width, flat |
| HANDLEBAR STEM | MERIDA EXPERT CC, material: aluminium, 31.8mm diameter, -6° stem angle |
| GRIP | MERIDA COMP EC |
| DERAILLEUR (R) | Shimano Deore M5100 Shadow+, SGS |
| SHIFTERS | Shimano Deore M5100 |
| SEAT POST | MERIDA COMP CC, material: aluminium, 30.9mm diameter, 0mm setback |
| SEAT CLAMP | MERIDA EXPERT |
| SADDLE | MERIDA COMP CC |
| CHAIN | KMC X12 |
| CHAINWHEEL | Shimano Deore M5100, 32 teeth |

| | |
|-----------------------|-------------------------------------------------------|
| FREEWHEEL | Shimano Deore M5100, 11-51 teeth, 11 speed |
| BOTTOM BRACKET | Shimano MT500-PA pressfit |
| RIM | MERIDA COMP CC, 20mm inner width, material: aluminium |
| HUBS | Shimano MT400-B |
| AXLES | MERIDA EXPERT TR |
| SPOKES | Black stainless |
| TIRES | Maxxis Ikon |



BIG.NINE 600

MATT BLACK (GLOSSY BLACK)

 **LITE** XC focused lightweight. 6066 triple butted aluminium with aero profiled tubes. BB92 bottom bracket, Boost axle standard and tapered head tube deliver stiffness and steering precision. Includes integrated down tube and chainstay protectors for extra frame protection.

| LEISURE | TOUR | ENDURANCE | RACE |




| | |
|-----------------------|----------------------------------------------------------------------------------------------------------------------|
| FRAME | BIG.NINE LITE, material: aluminium, 29x2.25" max. wheelsize, 148x12mm axle standard, BB92 bottom bracket standard |
| FRAME SIZE | S, M, L, XL, XXL |
| FORK | Manitou Markhor Comp, Air, 100mm suspension travel, Tapered, Remote lockout, 51mm fork offset, 29x3.0" max wheelsize |
| BRAKES | Shimano M6100 |
| ROTORS | Shimano RT54 |
| HEADSET | MERIDA M2331 |
| HANDLEBAR | MERIDA EXPERT CC, material: aluminium, 720mm width, flat |
| HANDLEBAR STEM | MERIDA EXPERT CC, material: aluminium, 31.8mm diameter, -6° stem angle |
| GRIP | MERIDA COMP EC |
| DERAILLEUR (R) | Shimano XT M8100 Shadow+, SGS |
| SHIFTERS | Shimano Deore M6100 |
| SEAT POST | MERIDA COMP CC, material: aluminium, 30.9mm diameter, 0mm setback |
| SEAT CLAMP | MERIDA EXPERT |
| SADDLE | MERIDA COMP CC |
| CHAIN | KMC X12 |
| CHAINWHEEL | Shimano Deore M6100, 32 teeth |

| | |
|-----------------------|-------------------------------------------------------------------------------------------------------------------|
| FREEWHEEL | Shimano Deore M6100, 10-51 teeth, 12 speed |
| BOTTOM BRACKET | Shimano MT500-PA pressfit |
| RIM | MERIDA EXPERT CC, 22.8mm inner width, material: aluminium, Tubeless ready (tubeless tape and valves not included) |
| HUBS | Shimano MT400-B / Shimano MT410-B |
| AXLES | MERIDA EXPERT TR |
| SPOKES | Double Butted Black stainless |
| TIRES | Maxxis Ikon |



BIG.NINE 600

BLUE (WHITE)

 **LITE** XC focused lightweight. 6066 triple butted aluminium with aero profiled tubes. BB92 bottom bracket, Boost axle standard and tapered head tube deliver stiffness and steering precision. Includes integrated down tube and chainstay protectors for extra frame protection.

| LEISURE | TOUR | ENDURANCE | RACE |



| | |
|-----------------------|----------------------------------------------------------------------------------------------------------------------|
| FRAME | BIG.NINE LITE, material: aluminium, 29x2.25" max. wheelsize, 148x12mm axle standard, BB92 bottom bracket standard |
| FRAME SIZE | S, M, L, XL, XXL |
| FORK | Manitou Markhor Comp, Air, 100mm suspension travel, Tapered, Remote lockout, 51mm fork offset, 29x3.0" max wheelsize |
| BRAKES | Shimano M6100 |
| ROTORS | Shimano RT54 |
| HEADSET | MERIDA M2331 |
| HANDLEBAR | MERIDA EXPERT CC, material: aluminium, 720mm width, flat |
| HANDLEBAR STEM | MERIDA EXPERT CC, material: aluminium, 31.8mm diameter, -6° stem angle |
| GRIP | MERIDA COMP EC |
| DERAILLEUR (R) | Shimano XT M8100 Shadow+, SGS |
| SHIFTERS | Shimano Deore M6100 |
| SEAT POST | MERIDA COMP CC, material: aluminium, 30.9mm diameter, 0mm setback |
| SEAT CLAMP | MERIDA EXPERT |
| SADDLE | MERIDA COMP CC |
| CHAIN | KMC X12 |
| CHAINWHEEL | Shimano Deore M6100, 32 teeth |


| | |
|-----------------------|-------------------------------------------------------------------------------------------------------------------|
| FREEWHEEL | Shimano Deore M6100, 10-51 teeth, 12 speed |
| BOTTOM BRACKET | Shimano MT500-PA pressfit |
| RIM | MERIDA EXPERT CC, 22.8mm inner width, material: aluminium, Tubeless ready (tubeless tape and valves not included) |
| HUBS | Shimano MT400-B / Shimano MT410-B |
| AXLES | MERIDA EXPERT TR |
| SPOKES | Double Butted Black stainless |
| TIRES | Maxxis Ikon |





BIG.NINE XT-EDITION

SILK LIGHT SAND (BLACK)

 **TFS** 6061 double butted and technoformed aluminium frame with more relaxed geometry. Comes equipped with state of the art technology such as smooth welding, tapered head tube, inboard disc mounts, internal routing of all gear and brake cables as well as F, C and K-mounts.

| LEISURE | TOUR | ENDURANCE | RACE |




| | |
|-----------------------|-----------------------------------------------------------------------------------------------------------------------------------|
| FRAME | BIG.NINE TFS III, material: aluminum, 29x2.25" max. wheelsize, 135x9mm axle standard, BSA bottom bracket standard, Smooth welding |
| FRAME SIZE | S, M, L, XL, XXL |
| FORK | Manitou Markhor Comp, Air, 100mm suspension travel, Tapered, Remote lockout, 51mm fork offset, 29x3.0" max wheelsize |
| BRAKES | Shimano XT |
| ROTORS | Shimano RT54 |
| HEADSET | MERIDA M2331 |
| HANDLEBAR | MERIDA EXPERT CC, material: aluminium, 720mm width, flat |
| HANDLEBAR STEM | MERIDA EXPERT CC, material: aluminium, 31.8mm diameter, 6° stem angle |
| GRIP | MERIDA COMP EC |
| DERAILLEUR (R) | Shimano XT M8100 Shadow+, SGS |
| SHIFTERS | Shimano XT |
| SEAT POST | MERIDA COMP CC, material: aluminium, 30.9mm diameter, 0mm setback |
| SEAT CLAMP | MERIDA COMP QR |
| SADDLE | MERIDA COMP CC |
| PEDAL | VP VPE-891 |
| CHAINWHEEL | Shimano XT, 32 teeth |

| | |
|-----------------------|-------------------------------------------------------------------------------------------------------------------|
| FREEWHEEL | Shimano Deore M6100, 10-51 teeth, 12 speed |
| BOTTOM BRACKET | Shimano BB52 BSA |
| RIM | MERIDA EXPERT CC, 22.8mm inner width, material: aluminium, Tubeless ready (tubeless tape and valves not included) |
| HUBS | Shimano MT400-B / Shimano MT401 |
| WHEELSET | KMC X12 |
| SPOKES | Double Butted Black stainless |
| TIRES | Maxxis Ikon |



BIG.NINE XT-EDITION

ANTHRACITE (BLACK)

 **TFS** 6061 double butted and technoformed aluminium frame with more relaxed geometry. Comes equipped with state of the art technology such as smooth welding, tapered head tube, inboard disc mounts, internal routing of all gear and brake cables as well as F, C and K-mounts.

| LEISURE | TOUR | ENDURANCE | RACE |




| | |
|-----------------------|-----------------------------------------------------------------------------------------------------------------------------------|
| FRAME | BIG.NINE TFS III, material: aluminum, 29x2.25" max. wheelsize, 135x9mm axle standard, BSA bottom bracket standard, Smooth welding |
| FRAME SIZE | S, M, L, XL, XXL |
| FORK | Manitou Markhor Comp, Air, 100mm suspension travel, Tapered, Remote lockout, 51mm fork offset, 29x3.0" max wheelsize |
| BRAKES | Shimano XT |
| ROTORS | Shimano RT54 |
| HEADSET | MERIDA M2331 |
| HANDLEBAR | MERIDA EXPERT CC, material: aluminium, 720mm width, flat |
| HANDLEBAR STEM | MERIDA EXPERT CC, material: aluminium, 31.8mm diameter, 6° stem angle |
| GRIP | MERIDA COMP EC |
| DERAILLEUR (R) | Shimano XT M8100 Shadow+, SGS |
| SHIFTERS | Shimano XT |
| SEAT POST | MERIDA COMP CC, material: aluminium, 30.9mm diameter, 0mm setback |
| SEAT CLAMP | MERIDA COMP QR |
| SADDLE | MERIDA COMP CC |
| PEDAL | VP VPE-891 |
| CHAINWHEEL | Shimano XT, 32 teeth |

| | |
|-----------------------|-------------------------------------------------------------------------------------------------------------------|
| FREEWHEEL | Shimano Deore M6100, 10-51 teeth, 12 speed |
| BOTTOM BRACKET | Shimano BB52 BSA |
| RIM | MERIDA EXPERT CC, 22.8mm inner width, material: aluminium, Tubeless ready (tubeless tape and valves not included) |
| HUBS | Shimano MT400-B / Shimano MT401 |
| WHEELSET | KMC X12 |
| SPOKES | Double Butted Black stainless |
| TIRES | Maxxis Ikon |



BIG.NINE XT2

CHRISTMAS RED (BLACK)

 **TFS** 6061 double butted and technoformed aluminium frame with more relaxed geometry. Comes equipped with state of the art technology such as smooth welding, tapered head tube, inboard disc mounts, internal routing of all gear and brake cables as well as F, C and K-mounts.

| LEISURE | TOUR | ENDURANCE | RACE |

BIG.SEVEN

FRAME SIZES XS S M L




| | |
|-----------------------|-----------------------------------------------------------------------------------------------------------------------------------|
| FRAME | BIG.NINE TFS III, material: aluminum, 29x2.25" max. wheelsize, 135x9mm axle standard, BSA bottom bracket standard, Smooth welding |
| FRAME SIZE | S, M, L, XL, XXL |
| FORK | Manitou Markhor Comp, Air, 100mm suspension travel, Tapered, Remote lockout, 51mm fork offset, 29x3.0" max wheelsize |
| BRAKES | Shimano M6100 |
| ROTORS | Shimano RT30 |
| HEADSET | MERIDA M2331 |
| HANDLEBAR | MERIDA EXPERT CC, material: aluminium, 720mm width, flat |
| HANDLEBAR STEM | MERIDA EXPERT CC, material: aluminium, 31.8mm diameter, 6° stem angle |
| GRIP | MERIDA COMP EC |
| DERAILLEUR (F) | Shimano SLX |
| DERAILLEUR (R) | Shimano XT M8120 Shadow+, SGS |
| SHIFTERS | Shimano XT |
| SEAT POST | MERIDA COMP CC, material: aluminium, 30.9mm diameter, 0mm setback |
| SEAT CLAMP | MERIDA COMP QR |
| SADDLE | MERIDA COMP CC |
| PEDAL | VP VPE-891 |

| | |
|-----------------------|-------------------------------------------------------|
| CHAIN | KMC X12 |
| CHAINWHEEL | Shimano XT, 36-26 teeth |
| FREEWHEEL | Shimano M7100, 10-45 teeth, 12 speed |
| BOTTOM BRACKET | Shimano BB52 BSA |
| RIM | MERIDA COMP CC, 20mm inner width, material: aluminium |
| HUBS | Shimano MT400-B / Shimano MT401 |
| SPOKES | Black stainless |
| TIRES | Maxxis Ikon |



BIG.NINE XT2

ANTHRACITE (BLACK)

 **TFS** 6061 double butted and technoformed aluminium frame with more relaxed geometry. Comes equipped with state of the art technology such as smooth welding, tapered head tube, inboard disc mounts, internal routing of all gear and brake cables as well as F, C and K-mounts.

| LEISURE | TOUR | ENDURANCE | RACE |

BIG.SEVEN

FRAME SIZES XS S M L




| | |
|-----------------------|-----------------------------------------------------------------------------------------------------------------------------------|
| FRAME | BIG.NINE TFS III, material: aluminum, 29x2.25" max. wheelsize, 135x9mm axle standard, BSA bottom bracket standard, Smooth welding |
| FRAME SIZE | S, M, L, XL, XXL |
| FORK | Manitou Markhor Comp, Air, 100mm suspension travel, Tapered, Remote lockout, 51mm fork offset, 29x3.0" max wheelsize |
| BRAKES | Shimano M6100 |
| ROTORS | Shimano RT30 |
| HEADSET | MERIDA M2331 |
| HANDLEBAR | MERIDA EXPERT CC, material: aluminium, 720mm width, flat |
| HANDLEBAR STEM | MERIDA EXPERT CC, material: aluminium, 31.8mm diameter, 6° stem angle |
| GRIP | MERIDA COMP EC |
| DERAILLEUR (F) | Shimano SLX |
| DERAILLEUR (R) | Shimano XT M8120 Shadow+, SGS |
| SHIFTERS | Shimano XT |
| SEAT POST | MERIDA COMP CC, material: aluminium, 30.9mm diameter, 0mm setback |
| SEAT CLAMP | MERIDA COMP QR |
| SADDLE | MERIDA COMP CC |
| PEDAL | VP VPE-891 |

| | |
|-----------------------|-------------------------------------------------------|
| CHAIN | KMC X12 |
| CHAINWHEEL | Shimano XT, 36-26 teeth |
| FREEWHEEL | Shimano M7100, 10-45 teeth, 12 speed |
| BOTTOM BRACKET | Shimano BB52 BSA |
| RIM | MERIDA COMP CC, 20mm inner width, material: aluminium |
| HUBS | Shimano MT400-B / Shimano MT401 |
| SPOKES | Black stainless |
| TIRES | Maxxis Ikon |



BIG.NINE 500

ANTHRACITE (BLACK)

 **TFS** 6061 double butted and technoformed aluminium frame with more relaxed geometry. Comes equipped with state of the art technology such as smooth welding, tapered head tube, inboard disc mounts, internal routing of all gear and brake cables as well as F, C and K-mounts.

| LEISURE | TOUR | ENDURANCE | RACE |




| | |
|-----------------------|-----------------------------------------------------------------------------------------------------------------------------------|
| FRAME | BIG.NINE TFS III, material: aluminum, 29x2.25" max. wheelsize, 135x9mm axle standard, BSA bottom bracket standard, Smooth welding |
| FRAME SIZE | S, M, L, XL, XXL |
| FORK | Manitou Markhor Comp, Air, 100mm suspension travel, Tapered, Lockout, 51mm fork offset, 29x2.6" max wheelsize |
| BRAKES | Shimano M4100 |
| ROTORS | Shimano RT10 |
| HEADSET | MERIDA M4455, AL cap with STS bolt+ ST stop nut |
| HANDLEBAR | MERIDA EXPERT CC, material: aluminium, 720mm width, 10mm rise |
| HANDLEBAR STEM | MERIDA COMP CC, material: aluminium, 31.8mm diameter, 7° stem angle |
| GRIP | MERIDA COMP EC |
| DERAILLEUR (F) | Shimano Deore |
| DERAILLEUR (R) | Shimano XT M8000 Shadow+, SGS |
| SHIFTERS | Shimano Deore M5100 |
| SEAT POST | MERIDA COMP CC, material: aluminium, 30.9mm diameter, 0mm setback |
| SEAT CLAMP | MERIDA COMP QR |
| SADDLE | MERIDA COMP CC |
| PEDAL | VP VPE-891 |

| | |
|-----------------------|-------------------------------------------------------|
| CHAIN | KMC X11 NPBK |
| CHAINWHEEL | Shimano Deore M5100, 36-26 teeth |
| FREEWHEEL | Shimano Deore M5100, 11-42 teeth, 11 speed |
| BOTTOM BRACKET | Shimano BB52 BSA |
| RIM | MERIDA COMP CC, 20mm inner width, material: aluminium |
| HUBS | Shimano TX505 |
| SPOKES | Black stainless |
| TIRES | Maxxis Ikon |



BIG.NINE 500

RACE RED (WHITE)

 **TFS** 6061 double butted and technoformed aluminium frame with more relaxed geometry. Comes equipped with state of the art technology such as smooth welding, tapered head tube, inboard disc mounts, internal routing of all gear and brake cables as well as F, C and K-mounts.

| LEISURE | TOUR | ENDURANCE | RACE |




| | |
|-----------------------|-----------------------------------------------------------------------------------------------------------------------------------|
| FRAME | BIG.NINE TFS III, material: aluminum, 29x2.25" max. wheelsize, 135x9mm axle standard, BSA bottom bracket standard, Smooth welding |
| FRAME SIZE | S, M, L, XL, XXL |
| FORK | Manitou Markhor Comp, Air, 100mm suspension travel, Tapered, Lockout, 51mm fork offset, 29x2.6" max wheelsize |
| BRAKES | Shimano M4100 |
| ROTORS | Shimano RT10 |
| HEADSET | MERIDA M4455, AL cap with STS bolt+ ST stop nut |
| HANDLEBAR | MERIDA EXPERT CC, material: aluminium, 720mm width, 10mm rise |
| HANDLEBAR STEM | MERIDA COMP CC, material: aluminium, 31.8mm diameter, 7° stem angle |
| GRIP | MERIDA COMP EC |
| DERAILLEUR (F) | Shimano Deore |
| DERAILLEUR (R) | Shimano XT M8000 Shadow+, SGS |
| SHIFTERS | Shimano Deore M5100 |
| SEAT POST | MERIDA COMP CC, material: aluminium, 30.9mm diameter, 0mm setback |
| SEAT CLAMP | MERIDA COMP QR |
| SADDLE | MERIDA COMP CC |
| PEDAL | VP VPE-891 |

| | |
|-----------------------|-------------------------------------------------------|
| CHAIN | KMC X11 NPBK |
| CHAINWHEEL | Shimano Deore M5100, 36-26 teeth |
| FREEWHEEL | Shimano Deore M5100, 11-42 teeth, 11 speed |
| BOTTOM BRACKET | Shimano BB52 BSA |
| RIM | MERIDA COMP CC, 20mm inner width, material: aluminium |
| HUBS | Shimano TX505 |
| SPOKES | Black stainless |
| TIRES | Maxxis Ikon |



BIG.NINE SLX-EDITION

ANTHRACITE (BLACK)

 **TFS** 6061 double butted and technoformed aluminium frame with more relaxed geometry. Comes equipped with state of the art technology such as smooth welding, tapered head tube, inboard disc mounts, internal routing of all gear and brake cables as well as F, C and K-mounts.

| LEISURE | TOUR | ENDURANCE | RACE |




| | |
|-----------------------|-----------------------------------------------------------------------------------------------------------------------------------|
| FRAME | BIG.NINE TFS III, material: aluminum, 29x2.25" max. wheelsize, 135x9mm axle standard, BSA bottom bracket standard, Smooth welding |
| FRAME SIZE | S, M, L, XL, XXL |
| FORK | Manitou Markhor Comp, Air, 100mm suspension travel, Tapered, Remote lockout, 51mm fork offset, 29x3.0" max wheelsize |
| BRAKES | Shimano M4100 |
| ROTORS | Shimano RT30 |
| HEADSET | MERIDA M2331 |
| HANDLEBAR | MERIDA EXPERT CC, material: aluminium, 720mm width, flat |
| HANDLEBAR STEM | MERIDA EXPERT CC, material: aluminium, 31.8mm diameter, 6° stem angle, S-70 mm, M-80 mm, L-90 mm, XL-100 mm, XXL-110 mm |
| GRIP | MERIDA COMP EC |
| DERAILLEUR (R) | Shimano XT M8100 Shadow+, SGS |
| SHIFTERS | Shimano SLX |
| SEAT POST | MERIDA COMP CC, material: aluminium, 30.9mm diameter, 0mm setback |
| SEAT CLAMP | MERIDA COMP QR |
| SADDLE | MERIDA COMP CC |
| PEDAL | VP VPE-891 |
| CHAIN | KMC X12 |

| | |
|-----------------------|-------------------------------------------------------|
| CHAINWHEEL | Shimano SLX, 32 teeth, 170 mm-S, 175 mm-M up |
| FREEWHEEL | Shimano Deore M6100, 10-51 teeth, 12 speed |
| BOTTOM BRACKET | Shimano BB52 BSA |
| RIM | MERIDA COMP CC, 20mm inner width, material: aluminium |
| HUBS | Shimano MT400-B / Shimano MT401 |
| SPOKES | Black stainless |
| TIRES | Maxxis Ikon |



BIG.NINE SLX-EDITION

ANTHRACITE (GREEN/SILVER)

 **TFS** 6061 double butted and technoformed aluminium frame with more relaxed geometry. Comes equipped with state of the art technology such as smooth welding, tapered head tube, inboard disc mounts, internal routing of all gear and brake cables as well as F, C and K-mounts.

| LEISURE | TOUR | ENDURANCE | RACE |




| | |
|-----------------------|-----------------------------------------------------------------------------------------------------------------------------------|
| FRAME | BIG.NINE TFS III, material: aluminum, 29x2.25" max. wheelsize, 135x9mm axle standard, BSA bottom bracket standard, Smooth welding |
| FRAME SIZE | S, M, L, XL, XXL |
| FORK | Manitou Markhor Comp, Air, 100mm suspension travel, Tapered, Remote lockout, 51mm fork offset, 29x3.0" max wheelsize |
| BRAKES | Shimano M4100 |
| ROTORS | Shimano RT30 |
| HEADSET | MERIDA M2331 |
| HANDLEBAR | MERIDA EXPERT CC, material: aluminium, 720mm width, flat |
| HANDLEBAR STEM | MERIDA EXPERT CC, material: aluminium, 31.8mm diameter, 6° stem angle, S-70 mm, M-80 mm, L-90 mm, XL-100 mm, XXL-110 mm |
| GRIP | MERIDA COMP EC |
| DERAILLEUR (R) | Shimano XT M8100 Shadow+, SGS |
| SHIFTERS | Shimano SLX |
| SEAT POST | MERIDA COMP CC, material: aluminium, 30.9mm diameter, 0mm setback |
| SEAT CLAMP | MERIDA COMP QR |
| SADDLE | MERIDA COMP CC |
| PEDAL | VP VPE-891 |
| CHAIN | KMC X12 |

| | |
|-----------------------|-------------------------------------------------------|
| CHAINWHEEL | Shimano SLX, 32 teeth, 170 mm-S, 175 mm-M up |
| FREEWHEEL | Shimano Deore M6100, 10-51 teeth, 12 speed |
| BOTTOM BRACKET | Shimano BB52 BSA |
| RIM | MERIDA COMP CC, 20mm inner width, material: aluminium |
| HUBS | Shimano MT400-B / Shimano MT401 |
| SPOKES | Black stainless |
| TIRES | Maxxis Ikon |



BIG.NINE 400

ANTHRACITE (BLACK)

 **TFS** 6061 double butted and technoformed aluminium frame with more relaxed geometry. Comes equipped with state of the art technology such as smooth welding, tapered head tube, inboard disc mounts, internal routing of all gear and brake cables as well as F, C and K-mounts.

| LEISURE | TOUR | ENDURANCE | RACE |




| | |
|-----------------------|-----------------------------------------------------------------------------------------------------------------------------------|
| FRAME | BIG.NINE TFS III, material: aluminum, 29x2.25" max. wheelsize, 135x9mm axle standard, BSA bottom bracket standard, Smooth welding |
| FRAME SIZE | S, M, L, XL, XXL |
| FORK | Manitou Markhor Comp, Air, 100mm suspension travel, Tapered, Lockout, 51mm fork offset, 29x2.6" max wheelsize |
| BRAKES | Shimano M4100 |
| ROTORS | Shimano RT10 |
| HEADSET | MERIDA M4455 |
| HANDLEBAR | MERIDA EXPERT CC, material: aluminium, 720mm width, 10mm rise |
| HANDLEBAR STEM | MERIDA COMP CC, material: aluminium, 31.8mm diameter, 7° stem angle |
| GRIP | MERIDA COMP EC |
| DERAILLEUR (R) | Shimano Deore M5100 Shadow+, SGS |
| SHIFTERS | Shimano Deore M5100 |
| SEAT POST | MERIDA COMP CC, material: aluminium, 30.9mm diameter, 0mm setback |
| SEAT CLAMP | MERIDA COMP QR |
| SADDLE | MERIDA COMP CC, MERIDA COMP QR |
| PEDAL | VP VPE-891 |
| CHAIN | KMC X11 NPBK |

| | |
|-------------------|-------------------------------------------------------|
| CHAINWHEEL | Shimano Deore M5100, 32 teeth |
| FREEWHEEL | Shimano Deore M5100, 11-51 teeth, 11 speed |
| RIM | MERIDA COMP CC, 20mm inner width, material: aluminium |
| HUBS | Shimano TX505 |
| SPOKES | Black stainless |
| TIRES | Maxxis Ikon |



BIG.NINE 400

GREEN (BLACK)

 **TFS** 6061 double butted and technoformed aluminium frame with more relaxed geometry. Comes equipped with state of the art technology such as smooth welding, tapered head tube, inboard disc mounts, internal routing of all gear and brake cables as well as F, C and K-mounts.

| LEISURE | TOUR | ENDURANCE | RACE |



| | |
|-----------------------|-----------------------------------------------------------------------------------------------------------------------------------|
| FRAME | BIG.NINE TFS III, material: aluminum, 29x2.25" max. wheelsize, 135x9mm axle standard, BSA bottom bracket standard, Smooth welding |
| FRAME SIZE | S, M, L, XL, XXL |
| FORK | Manitou Markhor Comp, Air, 100mm suspension travel, Tapered, Lockout, 51mm fork offset, 29x2.6" max wheelsize |
| BRAKES | Shimano M4100 |
| ROTORS | Shimano RT10 |
| HEADSET | MERIDA M4455 |
| HANDLEBAR | MERIDA EXPERT CC, material: aluminium, 720mm width, 10mm rise |
| HANDLEBAR STEM | MERIDA COMP CC, material: aluminium, 31.8mm diameter, 7° stem angle |
| GRIP | MERIDA COMP EC |
| DERAILLEUR (R) | Shimano Deore M5100 Shadow+, SGS |
| SHIFTERS | Shimano Deore M5100 |
| SEAT POST | MERIDA COMP CC, material: aluminium, 30.9mm diameter, 0mm setback |
| SEAT CLAMP | MERIDA COMP QR |
| SADDLE | MERIDA COMP CC, MERIDA COMP QR |
| PEDAL | VP VPE-891 |
| CHAIN | KMC X11 NPBK |


| | |
|-------------------|-------------------------------------------------------|
| CHAINWHEEL | Shimano Deore M5100, 32 teeth |
| FREEWHEEL | Shimano Deore M5100, 11-51 teeth, 11 speed |
| RIM | MERIDA COMP CC, 20mm inner width, material: aluminium |
| HUBS | Shimano TX505 |
| SPOKES | Black stainless |
| TIRES | Maxxis Ikon |





BIG.NINE 300

DARK PURPLE (BLACK)

 **TFS** 6061 double butted and technoformed aluminium frame with more relaxed geometry. Comes equipped with state of the art technology such as smooth welding, tapered head tube, inboard disc mounts, internal routing of all gear and brake cables as well as F, C and K-mounts.

| LEISURE | TOUR | ENDURANCE | RACE |

BIG.SEVEN

FRAME SIZES XS S M L




| | |
|-----------------------|-----------------------------------------------------------------------------------------------------------------------------------|
| FRAME | BIG.NINE TFS III, material: aluminum, 29x2.25" max. wheelsize, 135x9mm axle standard, BSA bottom bracket standard, Smooth welding |
| FRAME SIZE | S, M, L, XL, XXL |
| FORK | Suntour XCR32 LOR, Air, 100mm suspension travel, Lockout, 46mm fork offset, 29x2.25" max. wheelsize |
| BRAKES | Tektro M275 |
| ROTORS | Shimano RT10 |
| HEADSET | MERIDA M2345 |
| HANDLEBAR | MERIDA EXPERT CC, material: aluminium, 720mm width, 10mm rise |
| HANDLEBAR STEM | MERIDA COMP CC, material: aluminium, 31.8mm diameter, 7° stem angle |
| GRIP | MERIDA COMP EC |
| DERAILLEUR (F) | Shimano Deore |
| DERAILLEUR (R) | Shimano Deore M4120 Shadow, SGS |
| SHIFTERS | Shimano Deore M5100 / Shimano Deore M4100 |
| SEAT POST | MERIDA COMP CC, material: aluminium, 30.9mm diameter, 0mm setback |
| SEAT CLAMP | MERIDA COMP QR |
| SADDLE | MERIDA COMP CC |
| PEDAL | VP VPE-891 |

| | |
|-------------------|-------------------------------------------------------|
| CHAIN | KMC X10 |
| CHAINWHEEL | Shimano Deore M-4100-2, 36-26 teeth |
| FREEWHEEL | Shimano Deore M4100, 11-42 teeth, 10 speed |
| RIM | MERIDA COMP CC, 20mm inner width, material: aluminium |
| HUBS | Shimano TX505 |
| WHEELSET | 0,95 |
| SPOKES | Black stainless |
| TIRES | Maxxis Ikon |



BIG.NINE 300

ANTHRACITE (BLACK)

 **TFS** 6061 double butted and technoformed aluminium frame with more relaxed geometry. Comes equipped with state of the art technology such as smooth welding, tapered head tube, inboard disc mounts, internal routing of all gear and brake cables as well as F, C and K-mounts.

| LEISURE | TOUR | ENDURANCE | RACE |

BIG.SEVEN

FRAME SIZES XS S M L




| | |
|-----------------------|-----------------------------------------------------------------------------------------------------------------------------------|
| FRAME | BIG.NINE TFS III, material: aluminum, 29x2.25" max. wheelsize, 135x9mm axle standard, BSA bottom bracket standard, Smooth welding |
| FRAME SIZE | S, M, L, XL, XXL |
| FORK | Suntour XCR32 LOR, Air, 100mm suspension travel, Lockout, 46mm fork offset, 29x2.25" max. wheelsize |
| BRAKES | Tektro M275 |
| ROTORS | Shimano RT10 |
| HEADSET | MERIDA M2345 |
| HANDLEBAR | MERIDA EXPERT CC, material: aluminium, 720mm width, 10mm rise |
| HANDLEBAR STEM | MERIDA COMP CC, material: aluminium, 31.8mm diameter, 7° stem angle |
| GRIP | MERIDA COMP EC |
| DERAILLEUR (F) | Shimano Deore |
| DERAILLEUR (R) | Shimano Deore M4120 Shadow, SGS |
| SHIFTERS | Shimano Deore M5100 / Shimano Deore M4100 |
| SEAT POST | MERIDA COMP CC, material: aluminium, 30.9mm diameter, 0mm setback |
| SEAT CLAMP | MERIDA COMP QR |
| SADDLE | MERIDA COMP CC |
| PEDAL | VP VPE-891 |

| | |
|-------------------|-------------------------------------------------------|
| CHAIN | KMC X10 |
| CHAINWHEEL | Shimano Deore M-4100-2, 36-26 teeth |
| FREEWHEEL | Shimano Deore M4100, 11-42 teeth, 10 speed |
| RIM | MERIDA COMP CC, 20mm inner width, material: aluminium |
| HUBS | Shimano TX505 |
| WHEELSET | 0,95 |
| SPOKES | Black stainless |
| TIRES | Maxxis Ikon |



BIG.NINE 300

ORANGE (BLACK)

 **TFS** 6061 double butted and technoformed aluminium frame with more relaxed geometry. Comes equipped with state of the art technology such as smooth welding, tapered head tube, inboard disc mounts, internal routing of all gear and brake cables as well as F, C and K-mounts.

| LEISURE | TOUR | ENDURANCE | RACE |

BIG.SEVEN

FRAME SIZES XS S M L




| | |
|-----------------------|-----------------------------------------------------------------------------------------------------------------------------------|
| FRAME | BIG.NINE TFS III, material: aluminum, 29x2.25" max. wheelsize, 135x9mm axle standard, BSA bottom bracket standard, Smooth welding |
| FRAME SIZE | S, M, L, XL, XXL |
| FORK | Suntour XCR32 LOR, Air, 100mm suspension travel, Lockout, 46mm fork offset, 29x2.25" max. wheelsize |
| BRAKES | Tektro M275 |
| ROTORS | Shimano RT10 |
| HEADSET | MERIDA M2345 |
| HANDLEBAR | MERIDA EXPERT CC, material: aluminium, 720mm width, 10mm rise |
| HANDLEBAR STEM | MERIDA COMP CC, material: aluminium, 31.8mm diameter, 7° stem angle |
| GRIP | MERIDA COMP EC |
| DERAILLEUR (F) | Shimano Deore |
| DERAILLEUR (R) | Shimano Deore M4120 Shadow, SGS |
| SHIFTERS | Shimano Deore M5100 / Shimano Deore M4100 |
| SEAT POST | MERIDA COMP CC, material: aluminium, 30.9mm diameter, 0mm setback |
| SEAT CLAMP | MERIDA COMP QR |
| SADDLE | MERIDA COMP CC |
| PEDAL | VP VPE-891 |

| | |
|-------------------|-------------------------------------------------------|
| CHAIN | KMC X10 |
| CHAINWHEEL | Shimano Deore M-4100-2, 36-26 teeth |
| FREEWHEEL | Shimano Deore M4100, 11-42 teeth, 10 speed |
| RIM | MERIDA COMP CC, 20mm inner width, material: aluminium |
| HUBS | Shimano TX505 |
| WHEELSET | 0,95 |
| SPOKES | Black stainless |
| TIRES | Maxxis Ikon |



BIG.NINE 200

ANTHRACITE (BLACK)

 **TFS** 6061 double butted and technoformed aluminium frame with more relaxed geometry. Comes equipped with state of the art technology such as smooth welding, tapered head tube, inboard disc mounts, internal routing of all gear and brake cables as well as F, C and K-mounts.

| LEISURE | TOUR | ENDURANCE | RACE |

BIG.SEVEN

FRAME SIZES XS S M L




| | |
|-----------------------|-----------------------------------------------------------------------------------------------------------------------------------|
| FRAME | BIG.NINE TFS III, material: aluminum, 29x2.25" max. wheelsize, 135x9mm axle standard, BSA bottom bracket standard, Smooth welding |
| FRAME SIZE | S, M, L, XL, XXL |
| FORK | Suntour XCR32 LOR, Air, 100mm suspension travel, Lockout, 46mm fork offset, 29x2.25" max. wheelsize |
| BRAKES | Tektro M275 |
| ROTORS | Shimano RT10 |
| HEADSET | MERIDA M2345 |
| HANDLEBAR | MERIDA EXPERT CC, material: aluminium, 720mm width, 10mm rise |
| HANDLEBAR STEM | MERIDA COMP CC, material: aluminium, 31.8mm diameter, 7° stem angle |
| GRIP | MERIDA COMP EC |
| DERAILLEUR (R) | Shimano Deore M5120 Shadow+, SGS |
| SHIFTERS | Shimano Deore M4100 |
| SEAT POST | MERIDA COMP CC, material: aluminium, 30.9mm diameter, 0mm setback |
| SEAT CLAMP | MERIDA COMP QR |
| SADDLE | MERIDA COMP CC |
| PEDAL | VP VPE-891 |
| CHAIN | KMC X10 |

| | |
|-------------------|-------------------------------------------------------|
| CHAINWHEEL | Shimano Deore M5100, 32 teeth |
| FREEWHEEL | Shimano Deore M4100, 11-46 teeth, 10 speed |
| RIM | MERIDA COMP CC, 20mm inner width, material: aluminium |
| HUBS | Shimano TX505 |
| SPOKES | Black stainless |
| TIRES | Maxxis Ikon |



BIG.NINE 200

MATT BLUE (WHITE)

 **TFS** 6061 double butted and technoformed aluminium frame with more relaxed geometry. Comes equipped with state of the art technology such as smooth welding, tapered head tube, inboard disc mounts, internal routing of all gear and brake cables as well as F, C and K-mounts.

| LEISURE | TOUR | ENDURANCE | RACE |

BIG.SEVEN

FRAME SIZES XS S M L




| | |
|-----------------------|-----------------------------------------------------------------------------------------------------------------------------------|
| FRAME | BIG.NINE TFS III, material: aluminum, 29x2.25" max. wheelsize, 135x9mm axle standard, BSA bottom bracket standard, Smooth welding |
| FRAME SIZE | S, M, L, XL, XXL |
| FORK | Suntour XCR32 LOR, Air, 100mm suspension travel, Lockout, 46mm fork offset, 29x2.25" max. wheelsize |
| BRAKES | Tektro M275 |
| ROTORS | Shimano RT10 |
| HEADSET | MERIDA M2345 |
| HANDLEBAR | MERIDA EXPERT CC, material: aluminium, 720mm width, 10mm rise |
| HANDLEBAR STEM | MERIDA COMP CC, material: aluminium, 31.8mm diameter, 7° stem angle |
| GRIP | MERIDA COMP EC |
| DERAILLEUR (R) | Shimano Deore M5120 Shadow+, SGS |
| SHIFTERS | Shimano Deore M4100 |
| SEAT POST | MERIDA COMP CC, material: aluminium, 30.9mm diameter, 0mm setback |
| SEAT CLAMP | MERIDA COMP QR |
| SADDLE | MERIDA COMP CC |
| PEDAL | VP VPE-891 |
| CHAIN | KMC X10 |

| | |
|-------------------|-------------------------------------------------------|
| CHAINWHEEL | Shimano Deore M5100, 32 teeth |
| FREEWHEEL | Shimano Deore M4100, 11-46 teeth, 10 speed |
| RIM | MERIDA COMP CC, 20mm inner width, material: aluminium |
| HUBS | Shimano TX505 |
| SPOKES | Black stainless |
| TIRES | Maxxis Ikon |



BIG.NINE 200

TEAL-BLUE (ORANGE)

 **TFS** 6061 double butted and technoformed aluminium frame with more relaxed geometry. Comes equipped with state of the art technology such as smooth welding, tapered head tube, inboard disc mounts, internal routing of all gear and brake cables as well as F, C and K-mounts.

| LEISURE | TOUR | ENDURANCE | RACE |

BIG.SEVEN

FRAME SIZES XS S M L




| | |
|-----------------------|-----------------------------------------------------------------------------------------------------------------------------------|
| FRAME | BIG.NINE TFS III, material: aluminum, 29x2.25" max. wheelsize, 135x9mm axle standard, BSA bottom bracket standard, Smooth welding |
| FRAME SIZE | S, M, L, XL, XXL |
| FORK | Suntour XCR32 LOR, Air, 100mm suspension travel, Lockout, 46mm fork offset, 29x2.25" max. wheelsize |
| BRAKES | Tektro M275 |
| ROTORS | Shimano RT10 |
| HEADSET | MERIDA M2345 |
| HANDLEBAR | MERIDA EXPERT CC, material: aluminium, 720mm width, 10mm rise |
| HANDLEBAR STEM | MERIDA COMP CC, material: aluminium, 31.8mm diameter, 7° stem angle |
| GRIP | MERIDA COMP EC |
| DERAILLEUR (R) | Shimano Deore M5120 Shadow+, SGS |
| SHIFTERS | Shimano Deore M4100 |
| SEAT POST | MERIDA COMP CC, material: aluminium, 30.9mm diameter, 0mm setback |
| SEAT CLAMP | MERIDA COMP QR |
| SADDLE | MERIDA COMP CC |
| PEDAL | VP VPE-891 |
| CHAIN | KMC X10 |

| | |
|-------------------|-------------------------------------------------------|
| CHAINWHEEL | Shimano Deore M5100, 32 teeth |
| FREEWHEEL | Shimano Deore M4100, 11-46 teeth, 10 speed |
| RIM | MERIDA COMP CC, 20mm inner width, material: aluminium |
| HUBS | Shimano TX505 |
| SPOKES | Black stainless |
| TIRES | Maxxis Ikon |



BIG.NINE 100-3x

ANTHRACITE (BLACK)

 **TFS** 6061 double butted and technoformed aluminium frame with more relaxed geometry. Comes equipped with state of the art technology such as smooth welding, tapered head tube, inboard disc mounts, internal routing of all gear and brake cables as well as F, C and K-mounts.

| LEISURE | TOUR | ENDURANCE | RACE |

BIG.SEVEN

FRAME SIZES XS S M L




| | |
|-----------------------|-----------------------------------------------------------------------------------------------------------------------------------|
| FRAME | BIG.NINE TFS III, material: aluminum, 29x2.25" max. wheelsize, 135x9mm axle standard, BSA bottom bracket standard, Smooth welding |
| FRAME SIZE | S, M, L, XL, XXL |
| FORK | Suntour XCR32 LOR, Air, 100mm suspension travel, Lockout, 46mm fork offset, 29x2.25" max. wheelsize |
| BRAKES | Tektro M275 |
| ROTORS | Shimano RT10 |
| HEADSET | MERIDA M2345 |
| HANDLEBAR | MERIDA EXPERT CC, material: aluminium, 720mm width, 10mm rise |
| HANDLEBAR STEM | MERIDA COMP CC, material: aluminium, 31.8mm diameter, 7° stem angle |
| GRIP | MERIDA COMP EC |
| DERAILLEUR (F) | Shimano M2000 |
| DERAILLEUR (R) | Shimano Alivio Shadow, SGS |
| SHIFTERS | Shimano Altus |
| SEAT POST | MERIDA COMP CC, material: aluminium, 30.9mm diameter, 0mm setback |
| SEAT CLAMP | MERIDA COMP QR |
| SADDLE | MERIDA COMP CC |
| PEDAL | VP VPE-891 |

| | |
|-----------------------|-------------------------------------------------------|
| CHAINWHEEL | Shimano MT101, 40-30-22 teeth |
| FREEWHEEL | Shimano HG200, 11-36 teeth, 9 speed |
| BOTTOM BRACKET | FSA TH-7420ST |
| RIM | MERIDA COMP CC, 20mm inner width, material: aluminium |
| HUBS | Shimano TX505 |
| WHEELSET | KMC M99 |
| SPOKES | Black stainless |
| TIRES | Maxxis Ikon |



BIG.NINE 100-3x

BRONZE (BLUE)

 **TFS** 6061 double butted and technoformed aluminium frame with more relaxed geometry. Comes equipped with state of the art technology such as smooth welding, tapered head tube, inboard disc mounts, internal routing of all gear and brake cables as well as F, C and K-mounts.

| LEISURE | TOUR | ENDURANCE | RACE |

BIG.SEVEN

FRAME SIZES XS S M L




| | |
|-----------------------|-----------------------------------------------------------------------------------------------------------------------------------|
| FRAME | BIG.NINE TFS III, material: aluminum, 29x2.25" max. wheelsize, 135x9mm axle standard, BSA bottom bracket standard, Smooth welding |
| FRAME SIZE | S, M, L, XL, XXL |
| FORK | Suntour XCR32 LOR, Air, 100mm suspension travel, Lockout, 46mm fork offset, 29x2.25" max. wheelsize |
| BRAKES | Tektro M275 |
| ROTORS | Shimano RT10 |
| HEADSET | MERIDA M2345 |
| HANDLEBAR | MERIDA EXPERT CC, material: aluminium, 720mm width, 10mm rise |
| HANDLEBAR STEM | MERIDA COMP CC, material: aluminium, 31.8mm diameter, 7° stem angle |
| GRIP | MERIDA COMP EC |
| DERAILLEUR (F) | Shimano M2000 |
| DERAILLEUR (R) | Shimano Alivio Shadow, SGS |
| SHIFTERS | Shimano Altus |
| SEAT POST | MERIDA COMP CC, material: aluminium, 30.9mm diameter, 0mm setback |
| SEAT CLAMP | MERIDA COMP QR |
| SADDLE | MERIDA COMP CC |
| PEDAL | VP VPE-891 |

| | |
|-----------------------|-------------------------------------------------------|
| CHAINWHEEL | Shimano MT101, 40-30-22 teeth |
| FREEWHEEL | Shimano HG200, 11-36 teeth, 9 speed |
| BOTTOM BRACKET | FSA TH-7420ST |
| RIM | MERIDA COMP CC, 20mm inner width, material: aluminium |
| HUBS | Shimano TX505 |
| WHEELSET | KMC M99 |
| SPOKES | Black stainless |
| TIRES | Maxxis Ikon |



BIG.NINE 100-2x

BRONZE (BLUE)

 **TFS** 6061 double butted and technoformed aluminium frame with more relaxed geometry. Comes equipped with state of the art technology such as smooth welding, tapered head tube, inboard disc mounts, internal routing of all gear and brake cables as well as F, C and K-mounts.

| LEISURE | TOUR | ENDURANCE | RACE |

BIG.SEVEN

FRAME SIZES XS S M L




| | |
|-----------------------|-----------------------------------------------------------------------------------------------------------------------------------|
| FRAME | BIG.NINE TFS III, material: aluminum, 29x2.25" max. wheelsize, 135x9mm axle standard, BSA bottom bracket standard, Smooth welding |
| FRAME SIZE | S, M, L, XL, XXL |
| FORK | Suntour XCR32 LOR, Air, 100mm suspension travel, Lockout, 46mm fork offset, 29x2.25" max. wheelsize |
| BRAKES | Tektro M275 |
| ROTORS | Shimano RT10 |
| HEADSET | MERIDA M2345 |
| HANDLEBAR | MERIDA EXPERT CC, material: aluminium, 720mm width, 10mm rise |
| HANDLEBAR STEM | MERIDA COMP CC, material: aluminium, 31.8mm diameter, 7° stem angle |
| GRIP | MERIDA COMP EC |
| DERAILLEUR (F) | Shimano M2020-TS |
| DERAILLEUR (R) | Shimano Alivio Shadow, SGS |
| SHIFTERS | Shimano Altus |
| SEAT POST | MERIDA COMP CC, material: aluminium, 30.9mm diameter, 0mm setback |
| SEAT CLAMP | MERIDA COMP QR |
| SADDLE | MERIDA COMP CC |
| PEDAL | VP VPE-891 |

| | |
|-----------------------|-------------------------------------------------------|
| CHAIN | KMC M99 |
| CHAINWHEEL | Shimano MT101-2, 36-22 teeth |
| FREEWHEEL | Shimano HG200, 11-36 teeth, 9 speed |
| BOTTOM BRACKET | FSA TH-7420ST |
| RIM | MERIDA COMP CC, 20mm inner width, material: aluminium |
| HUBS | Shimano TX505 |
| SPOKES | Black stainless |
| TIRES | Maxxis Ikon |



BIG.NINE 100-2x

ANTHRACITE (BLACK)

 **TFS** 6061 double butted and technoformed aluminium frame with more relaxed geometry. Comes equipped with state of the art technology such as smooth welding, tapered head tube, inboard disc mounts, internal routing of all gear and brake cables as well as F, C and K-mounts.

| LEISURE | TOUR | ENDURANCE | RACE |

BIG.SEVEN

FRAME SIZES XS S M L



| | |
|-----------------------|-----------------------------------------------------------------------------------------------------------------------------------|
| FRAME | BIG.NINE TFS III, material: aluminum, 29x2.25" max. wheelsize, 135x9mm axle standard, BSA bottom bracket standard, Smooth welding |
| FRAME SIZE | S, M, L, XL, XXL |
| FORK | Suntour XCR32 LOR, Air, 100mm suspension travel, Lockout, 46mm fork offset, 29x2.25" max. wheelsize |
| BRAKES | Tektro M275 |
| ROTORS | Shimano RT10 |
| HEADSET | MERIDA M2345 |
| HANDLEBAR | MERIDA EXPERT CC, material: aluminium, 720mm width, 10mm rise |
| HANDLEBAR STEM | MERIDA COMP CC, material: aluminium, 31.8mm diameter, 7° stem angle |
| GRIP | MERIDA COMP EC |
| DERAILLEUR (F) | Shimano M2020-TS |
| DERAILLEUR (R) | Shimano Alivio Shadow, SGS |
| SHIFTERS | Shimano Altus |
| SEAT POST | MERIDA COMP CC, material: aluminium, 30.9mm diameter, 0mm setback |
| SEAT CLAMP | MERIDA COMP QR |
| SADDLE | MERIDA COMP CC |
| PEDAL | VP VPE-891 |


| | |
|-----------------------|-------------------------------------------------------|
| CHAIN | KMC M99 |
| CHAINWHEEL | Shimano MT101-2, 36-22 teeth |
| FREEWHEEL | Shimano HG200, 11-36 teeth, 9 speed |
| BOTTOM BRACKET | FSA TH-7420ST |
| RIM | MERIDA COMP CC, 20mm inner width, material: aluminium |
| HUBS | Shimano TX505 |
| SPOKES | Black stainless |
| TIRES | Maxxis Ikon |





BIG.NINE 60-3x

MATT BRONZE (BLACK)

 **TFS** 6061 double butted and technoformed aluminium frame with more relaxed geometry. Comes equipped with state of the art technology such as smooth welding, tapered head tube, inboard disc mounts, internal routing of all gear and brake cables as well as F, C and K-mounts.

| LEISURE | TOUR | ENDURANCE | RACE |

BIG.SEVEN

FRAME SIZES XS S M L




| | |
|-----------------------|-------------------------------------------------------------------------------------------------------------------|
| FRAME | BIG.NINE TFS III, material: aluminum, 29x2.25" max. wheelsize, 135x9mm axle standard, BSA bottom bracket standard |
| FRAME SIZE | S, M, L, XL, XXL |
| FORK | Rock Shox Judy TK, Coil, 100mm suspension travel Lockout, 46mm fork offset, 29x2.25" max. wheelsize |
| BRAKES | Shimano ST-EF505 |
| ROTORS | Shimano RT10 |
| HEADSET | MERIDA M2345 |
| HANDLEBAR | MERIDA CC, material: aluminium, 690mm width, 15mm rise |
| HANDLEBAR STEM | MERIDA CC, material: aluminium, 31.8mm diameter, 6° stem angle, 70 mm-S, 80 mm-M, 90 mm-L, 100 mm-XL, 110 mm-XXL |
| GRIP | MERIDA EC |
| DERAILLEUR (F) | Shimano FD-M2000 |
| DERAILLEUR (R) | Shimano RD-M370 |
| SHIFTERS | Shimano ST-EF505 |
| SEAT POST | MERIDA CC, material: aluminium, 30.9mm diameter, 15mm setback |
| SEAT CLAMP | MERIDA COMP QR |
| SADDLE | MERIDA Sport comfort |
| PEDAL | VP VPE-891 |

| | |
|-----------------------|-------------------------------------------------------|
| CHAIN | KMC M99 |
| CHAINWHEEL | Shimano MT101, 40-30-22 teeth, 170 mm-S, 175 mm-M/XXL |
| FREEWHEEL | Shimano CS-HG200, 11-32 teeth, 9 speed |
| BOTTOM BRACKET | Shimano BB-UN100 |
| RIM | MERIDA CC, 17mm inner width, material: aluminium |
| HUBS | Shimano TX505 |
| SPOKES | Black steel |
| TIRES | MERIDA K1080 |



BIG.NINE 60-3x

PURPLE (TEAL-BLUE)

 **TFS** 6061 double butted and technoformed aluminium frame with more relaxed geometry. Comes equipped with state of the art technology such as smooth welding, tapered head tube, inboard disc mounts, internal routing of all gear and brake cables as well as F, C and K-mounts.

| LEISURE | TOUR | ENDURANCE | RACE |

BIG.SEVEN

FRAME SIZES XS S M L




| | |
|-----------------------|-------------------------------------------------------------------------------------------------------------------|
| FRAME | BIG.NINE TFS III, material: aluminum, 29x2.25" max. wheelsize, 135x9mm axle standard, BSA bottom bracket standard |
| FRAME SIZE | S, M, L, XL, XXL |
| FORK | Rock Shox Judy TK, Coil, 100mm suspension travel Lockout, 46mm fork offset, 29x2.25" max. wheelsize |
| BRAKES | Shimano ST-EF505 |
| ROTORS | Shimano RT10 |
| HEADSET | MERIDA M2345 |
| HANDLEBAR | MERIDA CC, material: aluminium, 690mm width, 15mm rise |
| HANDLEBAR STEM | MERIDA CC, material: aluminium, 31.8mm diameter, 6° stem angle, 70 mm-S, 80 mm-M, 90 mm-L, 100 mm-XL, 110 mm-XXL |
| GRIP | MERIDA EC |
| DERAILLEUR (F) | Shimano FD-M2000 |
| DERAILLEUR (R) | Shimano RD-M370 |
| SHIFTERS | Shimano ST-EF505 |
| SEAT POST | MERIDA CC, material: aluminium, 30.9mm diameter, 15mm setback |
| SEAT CLAMP | MERIDA COMP QR |
| SADDLE | MERIDA Sport comfort |
| PEDAL | VP VPE-891 |

| | |
|-----------------------|-------------------------------------------------------|
| CHAIN | KMC M99 |
| CHAINWHEEL | Shimano MT101, 40-30-22 teeth, 170 mm-S, 175 mm-M/XXL |
| FREEWHEEL | Shimano CS-HG200, 11-32 teeth, 9 speed |
| BOTTOM BRACKET | Shimano BB-UN100 |
| RIM | MERIDA CC, 17mm inner width, material: aluminium |
| HUBS | Shimano TX505 |
| SPOKES | Black steel |
| TIRES | MERIDA K1080 |



BIG.NINE 60-3x

MATT ANTHRACITE (SILVER)

 **TFS** 6061 double butted and technoformed aluminium frame with more relaxed geometry. Comes equipped with state of the art technology such as smooth welding, tapered head tube, inboard disc mounts, internal routing of all gear and brake cables as well as F, C and K-mounts.

| LEISURE | TOUR | ENDURANCE | RACE |

BIG.SEVEN

FRAME SIZES XS S M L




| | |
|-----------------------|-------------------------------------------------------------------------------------------------------------------|
| FRAME | BIG.NINE TFS III, material: aluminum, 29x2.25" max. wheelsize, 135x9mm axle standard, BSA bottom bracket standard |
| FRAME SIZE | S, M, L, XL, XXL |
| FORK | Rock Shox Judy TK, Coil, 100mm suspension travel Lockout, 46mm fork offset, 29x2.25" max. wheelsize |
| BRAKES | Shimano ST-EF505 |
| ROTORS | Shimano RT10 |
| HEADSET | MERIDA M2345 |
| HANDLEBAR | MERIDA CC, material: aluminium, 690mm width, 15mm rise |
| HANDLEBAR STEM | MERIDA CC, material: aluminium, 31.8mm diameter, 6° stem angle, 70 mm-S, 80 mm-M, 90 mm-L, 100 mm-XL, 110 mm-XXL |
| GRIP | MERIDA EC |
| DERAILLEUR (F) | Shimano FD-M2000 |
| DERAILLEUR (R) | Shimano RD-M370 |
| SHIFTERS | Shimano ST-EF505 |
| SEAT POST | MERIDA CC, material: aluminium, 30.9mm diameter, 15mm setback |
| SEAT CLAMP | MERIDA COMP QR |
| SADDLE | MERIDA Sport comfort |
| PEDAL | VP VPE-891 |

| | |
|-----------------------|-------------------------------------------------------|
| CHAIN | KMC M99 |
| CHAINWHEEL | Shimano MT101, 40-30-22 teeth, 170 mm-S, 175 mm-M/XXL |
| FREEWHEEL | Shimano CS-HG200, 11-32 teeth, 9 speed |
| BOTTOM BRACKET | Shimano BB-UN100 |
| RIM | MERIDA CC, 17mm inner width, material: aluminium |
| HUBS | Shimano TX505 |
| SPOKES | Black steel |
| TIRES | MERIDA K1080 |



BIG.NINE 60-3x

BLUE (BLACK)

 **TFS** 6061 double butted and technoformed aluminium frame with more relaxed geometry. Comes equipped with state of the art technology such as smooth welding, tapered head tube, inboard disc mounts, internal routing of all gear and brake cables as well as F, C and K-mounts.

| LEISURE | TOUR | ENDURANCE | RACE |

BIG.SEVEN

FRAME SIZES XS S M L




| | |
|-----------------------|-------------------------------------------------------------------------------------------------------------------|
| FRAME | BIG.NINE TFS III, material: aluminum, 29x2.25" max. wheelsize, 135x9mm axle standard, BSA bottom bracket standard |
| FRAME SIZE | S, M, L, XL, XXL |
| FORK | Rock Shox Judy TK, Coil, 100mm suspension travel Lockout, 46mm fork offset, 29x2.25" max. wheelsize |
| BRAKES | Shimano ST-EF505 |
| ROTORS | Shimano RT10 |
| HEADSET | MERIDA M2345 |
| HANDLEBAR | MERIDA CC, material: aluminium, 690mm width, 15mm rise |
| HANDLEBAR STEM | MERIDA CC, material: aluminium, 31.8mm diameter, 6° stem angle, 70 mm-S, 80 mm-M, 90 mm-L, 100 mm-XL, 110 mm-XXL |
| GRIP | MERIDA EC |
| DERAILLEUR (F) | Shimano FD-M2000 |
| DERAILLEUR (R) | Shimano RD-M370 |
| SHIFTERS | Shimano ST-EF505 |
| SEAT POST | MERIDA CC, material: aluminium, 30.9mm diameter, 15mm setback |
| SEAT CLAMP | MERIDA COMP QR |
| SADDLE | MERIDA Sport comfort |
| PEDAL | VP VPE-891 |

| | |
|-----------------------|-------------------------------------------------------|
| CHAIN | KMC M99 |
| CHAINWHEEL | Shimano MT101, 40-30-22 teeth, 170 mm-S, 175 mm-M/XXL |
| FREEWHEEL | Shimano CS-HG200, 11-32 teeth, 9 speed |
| BOTTOM BRACKET | Shimano BB-UN100 |
| RIM | MERIDA CC, 17mm inner width, material: aluminium |
| HUBS | Shimano TX505 |
| SPOKES | Black steel |
| TIRES | MERIDA K1080 |



BIG.NINE 60-2x

MATT ANTHRACITE (SILVER)

 **TFS** 6061 double butted and technoformed aluminium frame with more relaxed geometry. Comes equipped with state of the art technology such as smooth welding, tapered head tube, inboard disc mounts, internal routing of all gear and brake cables as well as F, C and K-mounts.

| LEISURE | TOUR | ENDURANCE | RACE |

BIG.SEVEN

FRAME SIZES XS S M L




| | |
|-----------------------|-------------------------------------------------------------------------------------------------------------------|
| FRAME | BIG.NINE TFS III, material: aluminum, 29x2.25" max. wheelsize, 135x9mm axle standard, BSA bottom bracket standard |
| FRAME SIZE | S, M, L, XL, XXL |
| FORK | Rock Shox Judy TK, Coil, 100mm suspension travel Lockout, 46mm fork offset, 29x2.25" max. wheelsize |
| BRAKES | Shimano ST-EF505 |
| ROTORS | Shimano RT10 |
| HEADSET | MERIDA M2345 |
| HANDLEBAR | MERIDA CC, material: aluminium, 690mm width, 15mm rise |
| HANDLEBAR STEM | MERIDA CC, material: aluminium, 31.8mm diameter, 6° stem angle, 70 mm-S, 80 mm-M, 90 mm-L, 100 mm-XL, 110 mm-XXL |
| GRIP | MERIDA EC |
| DERAILLEUR (F) | Shimano FD-M2020-TS [2s] |
| DERAILLEUR (R) | Shimano RD-M370 |
| SHIFTERS | Shimano ST-EF505-2L / Shimano ST-EF505 |
| SEAT POST | MERIDA CC, material: aluminium, 30.9mm diameter, 15mm setback |
| SEAT CLAMP | MERIDA COMP QR |
| PEDAL | VP VPE-891 |
| CHAIN | KMC M99 |

| | |
|-----------------------|------------------------------------------------------|
| CHAINWHEEL | Shimano MT101-2, 36-22 teeth, 170 mm-S, 175 mm-M/XXL |
| FREEWHEEL | Shimano CS-HG200, 11-32 teeth, 9 speed |
| BOTTOM BRACKET | Shimano BB-UN100, Shimano FD-M2020-TS [2s] |
| RIM | MERIDA CC, 17mm inner width, material: aluminium |
| HUBS | Shimano TX505 |
| SPOKES | Black steel |
| TIRES | MERIDA K1080 |



BIG.NINE 60-2x

MATT BRONZE (BLACK)

 **TFS** 6061 double butted and technoformed aluminium frame with more relaxed geometry. Comes equipped with state of the art technology such as smooth welding, tapered head tube, inboard disc mounts, internal routing of all gear and brake cables as well as F, C and K-mounts.

| LEISURE | TOUR | ENDURANCE | RACE |

BIG.SEVEN

FRAME SIZES XS S M L




| | |
|-----------------------|-------------------------------------------------------------------------------------------------------------------|
| FRAME | BIG.NINE TFS III, material: aluminum, 29x2.25" max. wheelsize, 135x9mm axle standard, BSA bottom bracket standard |
| FRAME SIZE | S, M, L, XL, XXL |
| FORK | Rock Shox Judy TK, Coil, 100mm suspension travel Lockout, 46mm fork offset, 29x2.25" max. wheelsize |
| BRAKES | Shimano ST-EF505 |
| ROTORS | Shimano RT10 |
| HEADSET | MERIDA M2345 |
| HANDLEBAR | MERIDA CC, material: aluminium, 690mm width, 15mm rise |
| HANDLEBAR STEM | MERIDA CC, material: aluminium, 31.8mm diameter, 6° stem angle, 70 mm-S, 80 mm-M, 90 mm-L, 100 mm-XL, 110 mm-XXL |
| GRIP | MERIDA EC |
| DERAILLEUR (F) | Shimano FD-M2020-TS [2s] |
| DERAILLEUR (R) | Shimano RD-M370 |
| SHIFTERS | Shimano ST-EF505-2L / Shimano ST-EF505 |
| SEAT POST | MERIDA CC, material: aluminium, 30.9mm diameter, 15mm setback |
| SEAT CLAMP | MERIDA COMP QR |
| PEDAL | VP VPE-891 |
| CHAIN | KMC M99 |

| | |
|-----------------------|------------------------------------------------------|
| CHAINWHEEL | Shimano MT101-2, 36-22 teeth, 170 mm-S, 175 mm-M/XXL |
| FREEWHEEL | Shimano CS-HG200, 11-32 teeth, 9 speed |
| BOTTOM BRACKET | Shimano BB-UN100, Shimano FD-M2020-TS [2s] |
| RIM | MERIDA CC, 17mm inner width, material: aluminium |
| HUBS | Shimano TX505 |
| SPOKES | Black steel |
| TIRES | MERIDA K1080 |



BIG.NINE 60-2x

PURPLE (TEAL-BLUE)

 **TFS** 6061 double butted and technoformed aluminium frame with more relaxed geometry. Comes equipped with state of the art technology such as smooth welding, tapered head tube, inboard disc mounts, internal routing of all gear and brake cables as well as F, C and K-mounts.

| LEISURE | TOUR | ENDURANCE | RACE |

BIG.SEVEN

FRAME SIZES XS S M L




| | |
|-----------------------|-------------------------------------------------------------------------------------------------------------------|
| FRAME | BIG.NINE TFS III, material: aluminum, 29x2.25" max. wheelsize, 135x9mm axle standard, BSA bottom bracket standard |
| FRAME SIZE | S, M, L, XL, XXL |
| FORK | Rock Shox Judy TK, Coil, 100mm suspension travel Lockout, 46mm fork offset, 29x2.25" max. wheelsize |
| BRAKES | Shimano ST-EF505 |
| ROTORS | Shimano RT10 |
| HEADSET | MERIDA M2345 |
| HANDLEBAR | MERIDA CC, material: aluminium, 690mm width, 15mm rise |
| HANDLEBAR STEM | MERIDA CC, material: aluminium, 31.8mm diameter, 6° stem angle, 70 mm-S, 80 mm-M, 90 mm-L, 100 mm-XL, 110 mm-XXL |
| GRIP | MERIDA EC |
| DERAILLEUR (F) | Shimano FD-M2020-TS [2s] |
| DERAILLEUR (R) | Shimano RD-M370 |
| SHIFTERS | Shimano ST-EF505-2L / Shimano ST-EF505 |
| SEAT POST | MERIDA CC, material: aluminium, 30.9mm diameter, 15mm setback |
| SEAT CLAMP | MERIDA COMP QR |
| PEDAL | VP VPE-891 |
| CHAIN | KMC M99 |

| | |
|-----------------------|------------------------------------------------------|
| CHAINWHEEL | Shimano MT101-2, 36-22 teeth, 170 mm-S, 175 mm-M/XXL |
| FREEWHEEL | Shimano CS-HG200, 11-32 teeth, 9 speed |
| BOTTOM BRACKET | Shimano BB-UN100, Shimano FD-M2020-TS [2s] |
| RIM | MERIDA CC, 17mm inner width, material: aluminium |
| HUBS | Shimano TX505 |
| SPOKES | Black steel |
| TIRES | MERIDA K1080 |



BIG.NINE 60-2x

BLUE (BLACK)

 **TFS** 6061 double butted and technoformed aluminium frame with more relaxed geometry. Comes equipped with state of the art technology such as smooth welding, tapered head tube, inboard disc mounts, internal routing of all gear and brake cables as well as F, C and K-mounts.

| LEISURE | TOUR | ENDURANCE | RACE |

BIG.SEVEN

FRAME SIZES XS S M L




| | |
|-----------------------|-------------------------------------------------------------------------------------------------------------------|
| FRAME | BIG.NINE TFS III, material: aluminum, 29x2.25" max. wheelsize, 135x9mm axle standard, BSA bottom bracket standard |
| FRAME SIZE | S, M, L, XL, XXL |
| FORK | Rock Shox Judy TK, Coil, 100mm suspension travel Lockout, 46mm fork offset, 29x2.25" max. wheelsize |
| BRAKES | Shimano ST-EF505 |
| ROTORS | Shimano RT10 |
| HEADSET | MERIDA M2345 |
| HANDLEBAR | MERIDA CC, material: aluminium, 690mm width, 15mm rise |
| HANDLEBAR STEM | MERIDA CC, material: aluminium, 31.8mm diameter, 6° stem angle, 70 mm-S, 80 mm-M, 90 mm-L, 100 mm-XL, 110 mm-XXL |
| GRIP | MERIDA EC |
| DERAILLEUR (F) | Shimano FD-M2020-TS [2s] |
| DERAILLEUR (R) | Shimano RD-M370 |
| SHIFTERS | Shimano ST-EF505-2L / Shimano ST-EF505 |
| SEAT POST | MERIDA CC, material: aluminium, 30.9mm diameter, 15mm setback |
| SEAT CLAMP | MERIDA COMP QR |
| PEDAL | VP VPE-891 |
| CHAIN | KMC M99 |

| | |
|-----------------------|------------------------------------------------------|
| CHAINWHEEL | Shimano MT101-2, 36-22 teeth, 170 mm-S, 175 mm-M/XXL |
| FREEWHEEL | Shimano CS-HG200, 11-32 teeth, 9 speed |
| BOTTOM BRACKET | Shimano BB-UN100, Shimano FD-M2020-TS [2s] |
| RIM | MERIDA CC, 17mm inner width, material: aluminium |
| HUBS | Shimano TX505 |
| SPOKES | Black steel |
| TIRES | MERIDA K1080 |



BIG.NINE 20

MATT FOG GREEN (MOSS GREEN)

 **TFS** 6061 double butted and technoformed aluminium frame with more relaxed geometry. Comes equipped with state of the art technology such as smooth welding, tapered head tube, inboard disc mounts, internal routing of all gear and brake cables as well as F, C and K-mounts.

| LEISURE | TOUR | ENDURANCE | RACE |

BIG.SEVEN

FRAME SIZES XS S M L




| | |
|-----------------------|-------------------------------------------------------------------------------------------------------------------|
| FRAME | BIG.NINE TFS III, material: aluminum, 29x2.25" max. wheelsize, 135x9mm axle standard, BSA bottom bracket standard |
| FRAME SIZE | S, M, L, XL, XXL |
| FORK | Suntour XCT30 HLO, Coil, 100mm suspension travel, lockout, 29x2.25" max. wheelsize |
| BRAKES | Shimano ST-EF505 |
| ROTORS | Shimano RT10 |
| HEADSET | MERIDA M2345 |
| HANDLEBAR | MERIDA CC, material: aluminium, 690mm width, 15mm rise |
| HANDLEBAR STEM | MERIDA CC, material: aluminium, 31.8mm diameter, 6° stem angle, 70 mm-S, 80 mm-M, 90 mm-L, 100 mm-XL, 110 mm-XXL |
| GRIP | MERIDA EC |
| DERAILLEUR (F) | Shimano FD-TY700 |
| DERAILLEUR (R) | Shimano RD-M360 |
| SHIFTERS | Shimano ST-EF505 |
| SEAT POST | MERIDA CC, material: aluminium, 30.9mm diameter, 15mm setback |
| SEAT CLAMP | MERIDA COMP QR |
| SADDLE | MERIDA Sport comfort |
| PEDAL | VP VPE-891 |

| | |
|-----------------------|-------------------------------------------------------|
| CHAIN | Sunrace M84 |
| CHAINWHEEL | Shimano TY301, 42-34-24 teeth, 170 mm-S, 175 mm-M/XXL |
| FREEWHEEL | Sunrace CSM668, 11-32 teeth, 8 speed |
| BOTTOM BRACKET | FSA TH-7420ST-W, Cartridge Bearing |
| RIM | MERIDA CC, 17mm inner width, material: aluminium |
| HUBS | Shimano TX505 |
| SPOKES | Black steel |
| TIRES | MERIDA K1080 |



BIG.NINE 20

MATT RACE RED (TEAL-BLUE)

 **TFS** 6061 double butted and technoformed aluminium frame with more relaxed geometry. Comes equipped with state of the art technology such as smooth welding, tapered head tube, inboard disc mounts, internal routing of all gear and brake cables as well as F, C and K-mounts.

| LEISURE | TOUR | ENDURANCE | RACE |

BIG.SEVEN

FRAME SIZES XS S M L




| | |
|-----------------------|-------------------------------------------------------------------------------------------------------------------|
| FRAME | BIG.NINE TFS III, material: aluminum, 29x2.25" max. wheelsize, 135x9mm axle standard, BSA bottom bracket standard |
| FRAME SIZE | S, M, L, XL, XXL |
| FORK | Suntour XCT30 HLO, Coil, 100mm suspension travel, lockout, 29x2.25" max. wheelsize |
| BRAKES | Shimano ST-EF505 |
| ROTORS | Shimano RT10 |
| HEADSET | MERIDA M2345 |
| HANDLEBAR | MERIDA CC, material: aluminium, 690mm width, 15mm rise |
| HANDLEBAR STEM | MERIDA CC, material: aluminium, 31.8mm diameter, 6° stem angle, 70 mm-S, 80 mm-M, 90 mm-L, 100 mm-XL, 110 mm-XXL |
| GRIP | MERIDA EC |
| DERAILLEUR (F) | Shimano FD-TY700 |
| DERAILLEUR (R) | Shimano RD-M360 |
| SHIFTERS | Shimano ST-EF505 |
| SEAT POST | MERIDA CC, material: aluminium, 30.9mm diameter, 15mm setback |
| SEAT CLAMP | MERIDA COMP QR |
| SADDLE | MERIDA Sport comfort |
| PEDAL | VP VPE-891 |

| | |
|-----------------------|-------------------------------------------------------|
| CHAIN | Sunrace M84 |
| CHAINWHEEL | Shimano TY301, 42-34-24 teeth, 170 mm-S, 175 mm-M/XXL |
| FREEWHEEL | Sunrace CSM668, 11-32 teeth, 8 speed |
| BOTTOM BRACKET | FSA TH-7420ST-W, Cartridge Bearing |
| RIM | MERIDA CC, 17mm inner width, material: aluminium |
| HUBS | Shimano TX505 |
| SPOKES | Black steel |
| TIRES | MERIDA K1080 |



BIG.NINE 20

MATT ANTHRACITE (SILVER)

 **TFS** 6061 double butted and technoformed aluminium frame with more relaxed geometry. Comes equipped with state of the art technology such as smooth welding, tapered head tube, inboard disc mounts, internal routing of all gear and brake cables as well as F, C and K-mounts.

| LEISURE | TOUR | ENDURANCE | RACE |

BIG.SEVEN

FRAME SIZES XS S M L




| | |
|-----------------------|-------------------------------------------------------------------------------------------------------------------|
| FRAME | BIG.NINE TFS III, material: aluminum, 29x2.25" max. wheelsize, 135x9mm axle standard, BSA bottom bracket standard |
| FRAME SIZE | S, M, L, XL, XXL |
| FORK | Suntour XCT30 HLO, Coil, 100mm suspension travel, lockout, 29x2.25" max. wheelsize |
| BRAKES | Shimano ST-EF505 |
| ROTORS | Shimano RT10 |
| HEADSET | MERIDA M2345 |
| HANDLEBAR | MERIDA CC, material: aluminium, 690mm width, 15mm rise |
| HANDLEBAR STEM | MERIDA CC, material: aluminium, 31.8mm diameter, 6° stem angle, 70 mm-S, 80 mm-M, 90 mm-L, 100 mm-XL, 110 mm-XXL |
| GRIP | MERIDA EC |
| DERAILLEUR (F) | Shimano FD-TY700 |
| DERAILLEUR (R) | Shimano RD-M360 |
| SHIFTERS | Shimano ST-EF505 |
| SEAT POST | MERIDA CC, material: aluminium, 30.9mm diameter, 15mm setback |
| SEAT CLAMP | MERIDA COMP QR |
| SADDLE | MERIDA Sport comfort |
| PEDAL | VP VPE-891 |

| | |
|-----------------------|-------------------------------------------------------|
| CHAIN | Sunrace M84 |
| CHAINWHEEL | Shimano TY301, 42-34-24 teeth, 170 mm-S, 175 mm-M/XXL |
| FREEWHEEL | Sunrace CSM668, 11-32 teeth, 8 speed |
| BOTTOM BRACKET | FSA TH-7420ST-W, Cartridge Bearing |
| RIM | MERIDA CC, 17mm inner width, material: aluminium |
| HUBS | Shimano TX505 |
| SPOKES | Black steel |
| TIRES | MERIDA K1080 |



BIG.NINE 20

TEAL-BLUE (LIME)

 **TFS** 6061 double butted and technoformed aluminium frame with more relaxed geometry. Comes equipped with state of the art technology such as smooth welding, tapered head tube, inboard disc mounts, internal routing of all gear and brake cables as well as F, C and K-mounts.

| LEISURE | TOUR | ENDURANCE | RACE |

BIG.SEVEN

FRAME SIZES XS S M L




| | |
|-----------------------|-------------------------------------------------------------------------------------------------------------------|
| FRAME | BIG.NINE TFS III, material: aluminum, 29x2.25" max. wheelsize, 135x9mm axle standard, BSA bottom bracket standard |
| FRAME SIZE | S, M, L, XL, XXL |
| FORK | Suntour XCT30 HLO, Coil, 100mm suspension travel, lockout, 29x2.25" max. wheelsize |
| BRAKES | Shimano ST-EF505 |
| ROTORS | Shimano RT10 |
| HEADSET | MERIDA M2345 |
| HANDLEBAR | MERIDA CC, material: aluminium, 690mm width, 15mm rise |
| HANDLEBAR STEM | MERIDA CC, material: aluminium, 31.8mm diameter, 6° stem angle, 70 mm-S, 80 mm-M, 90 mm-L, 100 mm-XL, 110 mm-XXL |
| GRIP | MERIDA EC |
| DERAILLEUR (F) | Shimano FD-TY700 |
| DERAILLEUR (R) | Shimano RD-M360 |
| SHIFTERS | Shimano ST-EF505 |
| SEAT POST | MERIDA CC, material: aluminium, 30.9mm diameter, 15mm setback |
| SEAT CLAMP | MERIDA COMP QR |
| SADDLE | MERIDA Sport comfort |
| PEDAL | VP VPE-891 |

| | |
|-----------------------|-------------------------------------------------------|
| CHAIN | Sunrace M84 |
| CHAINWHEEL | Shimano TY301, 42-34-24 teeth, 170 mm-S, 175 mm-M/XXL |
| FREEWHEEL | Sunrace CSM668, 11-32 teeth, 8 speed |
| BOTTOM BRACKET | FSA TH-7420ST-W, Cartridge Bearing |
| RIM | MERIDA CC, 17mm inner width, material: aluminium |
| HUBS | Shimano TX505 |
| SPOKES | Black steel |
| TIRES | MERIDA K1080 |



BIG.NINE 15

SILK LIME (GREEN)

 **SPEED** 6061 series double butted and technoformed aluminium, featuring our more relaxed geometry. Comes equipped with F, C and K-mounts.

| LEISURE | TOUR | ENDURANCE | RACE |

BIG.SEVEN

FRAME SIZES XS S M L




| | |
|-----------------------|------------------------------------------------------------------------------------------------------------------|
| FRAME | BIG.NINE SPEED, material: aluminium, 29x2.25" max. wheelsize, 135x9mm axle standard, BSA bottom bracket standard |
| FRAME SIZE | S, M, L, XL, XXL |
| FORK | Suntour XCT30, Coil, 100mm suspension travel, 29x2.25" max. wheelsize |
| BRAKES | Shimano ST-EF505 |
| ROTORS | Shimano RT10 |
| HEADSET | FSA NO.10 |
| HANDLEBAR | MERIDA CC, material: aluminium, 690mm width, 15mm rise |
| HANDLEBAR STEM | MERIDA CC, material: aluminium, 31.8mm diameter, 6° stem angle, 70 mm-S, 80 mm-M, 90 mm-L, 100 mm-XL, 110 mm-XXL |
| GRIP | MERIDA EC |
| DERAILLEUR (F) | Shimano FD-TY700 |
| DERAILLEUR (R) | Shimano RD-M310 |
| SHIFTERS | Shimano ST-EF505 |
| SEAT POST | MERIDA CC, material: aluminium, 30.9mm diameter, 15mm setback |
| SEAT CLAMP | MERIDA COMP QR |
| SADDLE | MERIDA Sport comfort |
| PEDAL | VP VPE-891 |

| | |
|-----------------------|-------------------------------------------------------|
| CHAIN | Sunrace M84 |
| CHAINWHEEL | Shimano TY301, 42-34-24 teeth, 170 mm-S, 175 mm-M/XXL |
| FREEWHEEL | Sunrace CSM668, 11-32 teeth, 8 speed |
| BOTTOM BRACKET | FSA TH-7420ST-W, Cartridge Bearing |
| RIM | MERIDA CC, 17mm inner width, material: aluminium |
| HUBS | Shimano TX505 |
| SPOKES | Black steel |
| TIRES | MERIDA K1080 |



BIG.NINE 15

MATT ANTHRACITE (SILVER)

 **SPEED** 6061 series double butted and technoformed aluminium, featuring our more relaxed geometry. Comes equipped with F, C and K-mounts.

| LEISURE | TOUR | ENDURANCE | RACE |

BIG.SEVEN

FRAME SIZES XS S M L




| | |
|-----------------------|------------------------------------------------------------------------------------------------------------------|
| FRAME | BIG.NINE SPEED, material: aluminium, 29x2.25" max. wheelsize, 135x9mm axle standard, BSA bottom bracket standard |
| FRAME SIZE | S, M, L, XL, XXL |
| FORK | Suntour XCT30, Coil, 100mm suspension travel, 29x2.25" max. wheelsize |
| BRAKES | Shimano ST-EF505 |
| ROTORS | Shimano RT10 |
| HEADSET | FSA NO.10 |
| HANDLEBAR | MERIDA CC, material: aluminium, 690mm width, 15mm rise |
| HANDLEBAR STEM | MERIDA CC, material: aluminium, 31.8mm diameter, 6° stem angle, 70 mm-S, 80 mm-M, 90 mm-L, 100 mm-XL, 110 mm-XXL |
| GRIP | MERIDA EC |
| DERAILLEUR (F) | Shimano FD-TY700 |
| DERAILLEUR (R) | Shimano RD-M310 |
| SHIFTERS | Shimano ST-EF505 |
| SEAT POST | MERIDA CC, material: aluminium, 30.9mm diameter, 15mm setback |
| SEAT CLAMP | MERIDA COMP QR |
| SADDLE | MERIDA Sport comfort |
| PEDAL | VP VPE-891 |

| | |
|-----------------------|-------------------------------------------------------|
| CHAIN | Sunrace M84 |
| CHAINWHEEL | Shimano TY301, 42-34-24 teeth, 170 mm-S, 175 mm-M/XXL |
| FREEWHEEL | Sunrace CSM668, 11-32 teeth, 8 speed |
| BOTTOM BRACKET | FSA TH-7420ST-W, Cartridge Bearing |
| RIM | MERIDA CC, 17mm inner width, material: aluminium |
| HUBS | Shimano TX505 |
| SPOKES | Black steel |
| TIRES | MERIDA K1080 |



BIG.NINE 15

BLUE (BLACK)

 **SPEED** 6061 series double butted and technoformed aluminium, featuring our more relaxed geometry. Comes equipped with F, C and K-mounts.

| LEISURE | TOUR | ENDURANCE | RACE |

BIG.SEVEN

FRAME SIZES XS S M L

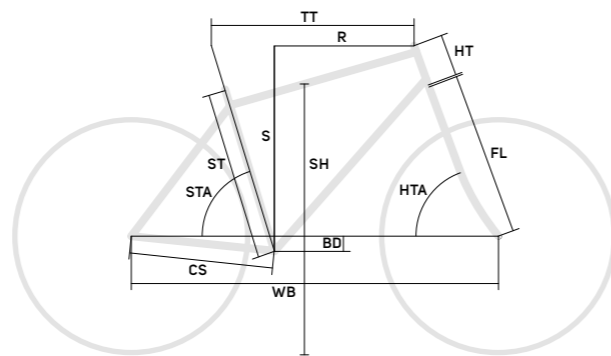


| | | | |
|-----------------------|------------------------------------------------------------------------------------------------------------------|-----------------------|-------------------------------------------------------|
| FRAME | BIG.NINE SPEED, material: aluminium, 29x2.25" max. wheelsize, 135x9mm axle standard, BSA bottom bracket standard | CHAIN | Sunrace M84 |
| FRAME SIZE | S, M, L, XL, XXL | CHAINWHEEL | Shimano TY301, 42-34-24 teeth, 170 mm-S, 175 mm-M/XXL |
| FORK | Suntour XCT30, Coil, 100mm suspension travel, 29x2.25" max. wheelsize | FREEWHEEL | Sunrace CSM668, 11-32 teeth, 8 speed |
| BRAKES | Shimano ST-EF505 | BOTTOM BRACKET | FSA TH-7420ST-W, Cartridge Bearing |
| ROTORS | Shimano RT10 | RIM | MERIDA CC, 17mm inner width, material: aluminium |
| HEADSET | FSA NO.10 | HUBS | Shimano TX505 |
| HANDLEBAR | MERIDA CC, material: aluminium, 690mm width, 15mm rise | SPOKES | Black steel |
| HANDLEBAR STEM | MERIDA CC, material: aluminium, 31.8mm diameter, 6° stem angle, 70 mm-S, 80 mm-M, 90 mm-L, 100 mm-XL, 110 mm-XXL | TIRES | MERIDA K1080 |
| GRIP | MERIDA EC | | |
| DERAILLEUR (F) | Shimano FD-TY700 | | |
| DERAILLEUR (R) | Shimano RD-M310 | | |
| SHIFTERS | Shimano ST-EF505 | | |
| SEAT POST | MERIDA CC, material: aluminium, 30.9mm diameter, 15mm setback | | |
| SEAT CLAMP | MERIDA COMP QR | | |
| SADDLE | MERIDA Sport comfort | | |
| PEDAL | VP VPE-891 | | |



BIG.NINE/SEVEN

GEOMETRIES



BIG.NINE CF5

| FS Frame Size | S | M | L | XL | XXL |
|-----------------------------|------|------|------|------|------|
| TS Tire Size | 29" | 29" | 29" | 29" | 29" |
| ST seat tube [mm] | 380 | 444 | 483 | 532 | 584 |
| TT top tube [mm] | 585 | 605 | 625 | 645 | 665 |
| CS chain stay length [mm] | 433 | 433 | 433 | 433 | 433 |
| HTA head tube angle [°] | 70 | 70 | 70 | 70 | 70 |
| STA seat tube angle [°] | 73.5 | 73.5 | 73.5 | 73.5 | 73.5 |
| BD bottom bracket drop [mm] | 65 | 65 | 65 | 65 | 65 |
| HT head tube [mm] | 95 | 100 | 110 | 125 | 145 |
| FL fork length [mm] | 506 | 506 | 506 | 506 | 506 |
| R reach [mm] | 402 | 421 | 438 | 454 | 468 |
| S stack [mm] | 617 | 622 | 631 | 645 | 664 |
| WB wheel base [mm] | 1080 | 1101 | 1121 | 1142 | 1163 |
| SH stand over height [mm] | 681 | 744 | 778 | 819 | 842 |

BIG.NINE CF3

| FS Frame Size | S | M | L | XL | XXL |
|-----------------------------|------|------|------|------|------|
| TS Tire Size | 29" | 29" | 29" | 29" | 29" |
| ST seat tube [mm] | 380 | 444 | 483 | 532 | 584 |
| TT top tube [mm] | 585 | 605 | 625 | 645 | 665 |
| CS chain stay length [mm] | 433 | 433 | 433 | 433 | 433 |
| HTA head tube angle [°] | 70 | 70 | 70 | 70 | 70 |
| STA seat tube angle [°] | 73.5 | 73.5 | 73.5 | 73.5 | 73.5 |
| BD bottom bracket drop [mm] | 65 | 65 | 65 | 65 | 65 |
| HT head tube [mm] | 95 | 100 | 110 | 125 | 145 |
| FL fork length [mm] | 506 | 506 | 506 | 506 | 506 |
| R reach [mm] | 402 | 421 | 438 | 454 | 468 |
| S stack [mm] | 617 | 622 | 631 | 645 | 664 |
| WB wheel base [mm] | 1080 | 1101 | 1121 | 1142 | 1163 |
| SH stand over height [mm] | 681 | 744 | 778 | 819 | 842 |

BIG.NINE TFS III

| FS Frame Size | S | M | L | XL | XXL |
|-----------------------------|------|------|------|------|------|
| TS Tire Size | 29" | 29" | 29" | 29" | 29" |
| ST seat tube [mm] | 370 | 430 | 470 | 510 | 560 |
| TT top tube [mm] | 570 | 590 | 610 | 630 | 650 |
| CS chain stay length [mm] | 440 | 440 | 440 | 440 | 440 |
| HTA head tube angle [°] | 70 | 70 | 70 | 70 | 70 |
| STA seat tube angle [°] | 73 | 73 | 73 | 73 | 73 |
| BD bottom bracket drop [mm] | 60 | 60 | 60 | 60 | 60 |
| HT head tube [mm] | 100 | 115 | 130 | 145 | 160 |
| FL fork length [mm] | 506 | 506 | 506 | 506 | 506 |
| R reach [mm] | 382 | 398 | 414 | 429 | 445 |
| S stack [mm] | 614 | 628 | 642 | 656 | 670 |
| WB wheel base [mm] | 1069 | 1090 | 1110 | 1131 | 1152 |
| SH stand over height [mm] | 679 | 727 | 763 | 800 | 843 |

BIG.NINE SPEED

| FS Frame Size | S | M | L | XL | XXL |
|-----------------------------|------|------|------|------|------|
| TS Tire Size | 29" | 29" | 29" | 29" | 29" |
| ST seat tube [mm] | 382 | 448 | 486 | 532 | 583 |
| TT top tube [mm] | 558 | 579 | 599 | 619 | 640 |
| CS chain stay length [mm] | 450 | 450 | 450 | 450 | 450 |
| HTA head tube angle [°] | 70 | 70 | 70.5 | 70.5 | 70.5 |
| STA seat tube angle [°] | 73.5 | 73.5 | 73.5 | 73 | 73 |
| BD bottom bracket drop [mm] | 60 | 60 | 60 | 60 | 60 |
| HT head tube [mm] | 100 | 110 | 120 | 130 | 140 |
| FL fork length [mm] | 506 | 506 | 506 | 506 | 506 |
| R reach [mm] | 373 | 387 | 400 | 413 | 427 |
| S stack [mm] | 614 | 623 | 635 | 644 | 654 |
| WB wheel base [mm] | 1071 | 1092 | 1106 | 1126 | 1147 |
| SH stand over height [mm] | 698 | 755 | 789 | 829 | 869 |

BIG.NINE LITE

| FS Frame Size | S | M | L | XL | XXL |
|-----------------------------|------|------|------|------|------|
| TS Tire Size | 29" | 29" | 29" | 29" | 29" |
| ST seat tube [mm] | 382 | 444 | 483 | 532 | 584 |
| TT top tube [mm] | 585 | 605 | 625 | 645 | 665 |
| CS chain stay length [mm] | 433 | 433 | 433 | 433 | 433 |
| HTA head tube angle [°] | 70 | 70 | 70 | 70 | 70 |
| STA seat tube angle [°] | 73.5 | 73.5 | 73.5 | 73.5 | 73.5 |
| BD bottom bracket drop [mm] | 65 | 65 | 65 | 65 | 65 |
| HT head tube [mm] | 95 | 100 | 110 | 125 | 145 |
| FL fork length [mm] | 506 | 506 | 506 | 506 | 506 |
| R reach [mm] | 403 | 422 | 439 | 455 | 469 |
| S stack [mm] | 614 | 619 | 628 | 642 | 661 |
| WB wheel base [mm] | 1080 | 1100 | 1121 | 1142 | 1163 |
| SH stand over height [mm] | 688 | 740 | 771 | 816 | 859 |

BIG.SEVEN TFS III

| FS Frame Size | XS | S | M | L |
|-----------------------------|-------|-------|-------|-------|
| TS Tire Size | 27.5" | 27.5" | 27.5" | 27.5" |
| ST seat tube [mm] | 340 | 380 | 440 | 480 |
| TT top tube [mm] | 550 | 570 | 590 | 610 |
| CS chain stay length [mm] | 430 | 430 | 430 | 430 |
| HTA head tube angle [°] | 69 | 69 | 69 | 69 |
| STA seat tube angle [°] | 73 | 73 | 73 | 73 |
| BD bottom bracket drop [mm] | 30 | 30 | 30 | 30 |
| HT head tube [mm] | 100 | 115 | 130 | 145 |
| FL fork length [mm] | 487 | 487 | 487 | 487 |
| R reach [mm] | 378 | 394 | 409 | 425 |
| S stack [mm] | 563 | 577 | 591 | 605 |
| WB wheel base [mm] | 1056 | 1078 | 1099 | 1120 |
| SH stand over height [mm] | 649 | 689 | 740 | 778 |

BIG.SEVEN SPEED

| FS Frame Size | XS | S | M | L |
|-----------------------------|-------|-------|-------|-------|
| TS Tire Size | 27.5" | 27.5" | 27.5" | 27.5" |
| ST seat tube [mm] | 343 | 381 | 432 | 470 |
| TT top tube [mm] | 550 | 560 | 575 | 585 |
| CS chain stay length [mm] | 430 | 430 | 430 | 430 |
| HTA head tube angle [°] | 70 | 70 | 70.5 | 70.5 |
| STA seat tube angle [°] | 73.5 | 73.5 | 73 | 73 |
| BD bottom bracket drop [mm] | 53 | 53 | 53 | 53 |
| HT head tube [mm] | 100 | 105 | 115 | 125 |
| FL fork length [mm] | 490 | 490 | 490 | 490 |
| R reach [mm] | 374 | 383 | 389 | 396 |
| S stack [mm] | 593 | 598 | 609 | 619 |
| WB wheel base [mm] | 1042 | 1053 | 1057 | 1068 |
| SH stand over height [mm] | 650 | 686 | 731 | 764 |

FRAME INTERFACES

| | CF5 | CF3 | LITE | TFS III | SPEED |
|-----------------------------------|----------|------------------|------------------|-------------------------------|-------------------------------|
| MAX. WHEELSIZE | 29x2.25" | 29x2.25" | 29x2.25" | 29x2.25" 27.5x2.25" | 29x2.25" 27.5x2.25" |
| MAX. CHAINRING | 1x36T | 1x36T 2x36/26 | 1x36T 2x38/28 | 3x40/30/22 2x38/26 1x32 | 3x42/34/24 2x38/28 1x36 |
| HEAD TUBE | | | | | |
| 11/8" & 1 1/2" | • | • | • | • | |
| 11/8" & 1 1/8" | | | | | • |
| HEADSET | | | | | |
| INTEGRATED | • | | | | |
| SEMI-INTEGRATED (44-55 mm) | | • | • | • | |
| SEMI-INTEGRATED (44-44 mm) | | | | | • |
| BRAKE STANDARD | | | | | |
| DISC BRAKE ON CHAIN STAY | • | • | • | • | |
| DISC BRAKE ON SEAT STAY | | | | | • |
| POST MOUNT 160 mm REAR BRAKE | • | • | • | • | |
| INTERNATIONAL STANDARD REAR BRAKE | | | | | • |
| BB-STANDARD | | | | | |
| BSA 68 mm | | | | | • |
| BSA 73 mm | | | | • | |
| BB 92 | • | • | • | | |
| SEATPOST DIAMETER | | | | | |
| 27.2 mm | | | | | • |
| 30.9 mm | • | • | • | • | |
| REAR DROPOUT-STANDARD | | | | | |
| QUICK RELEASE 9x135 mm | | | | • | • |
| THRU AXLE 12x148 mm | • | • | • | | |
| CABLE ROUTING | | | | | |
| INTERNAL SHIFTING CABLES | • | • | • | • | |
| INTERNAL BRAKE CABLE | • | • | • | • | |
| INTERNAL SEAT POST CABLE | • | • | • | | |
| DI2-READY | • | • | • | | |
| EQUIPMENT OPTIONS | | | | | |
| HEBIE 40 mm | | | | • | • |
| CARRIER MOUNT FRAME | | | | • | • |
| FENDER MOUNT FRAME | | | | • | • |
| FD-STANDARD | | | | | |
| CLAMP (DIAMETER:31,8 MM) | | | | | • |
| CLAMP (DIAMETER:34,9 MM) | | | | • | |
| E-TYPE MOUNT | | • | • | | |
| TOP PULL | | | | | • |
| DOWN PULL | | | | • | |
| SIDE SWING | | • | • | • | |
| FRAME WEIGHT* | 880g | 1290g | 1810g | 1830g | 1900g/1880g |
| RD HANGER | DH-053 | DH-053 | DH-053 | DH-013F | A-HG011 |

* Frame weight only at size M +/- 3%! Without axle, frame protectors, saddle clamp, hanger, steerer cups and cable guides (weight is also depending on the frame color)

BIG.TRAIL

TRAIL FUN SIMPLIFIED

Today we often associate increased 'trail fun' with more and more full suspension travel due to the fact that long-travel bikes are getting more capable on the way down but also on the way back up again. At the same time, the trail hardtail has developed quietly in its shadow. After being absent from this segment, we are back with a bang, that combines modern trail bike geometry with long-travel forks and chunky 29er wheels for amazing corner grip and comfort. Welcome to the new BIG.TRAIL which offers simplified and hassle-free trail fun in spades.



1

TYRE CLEARANCE

Our BIG.NINE rolls on 29er wheels and has tyre clearance for up to 2.5" trail tyres. The combination of 29er wheels and 2.5" tyres offer plenty of corner and climbing grip, while the big tyre volume and the 29er 'rolling over ability' give our trail hardtail extra comfort and stability.

2

DOUBLE BOTTLE

Our BIG.TRAIL is not just great for a short blast on your home trails, but also ready for the all-day trail ride due to having fixing points for two bottles. If you prefer to keep the weight off your back, then having extra water holding capability is a huge plus.

3

MODERN TRAIL GEOMETRY

A long reach, paired with a slack 65.5° head angle and a steep seat angle make our BIG.TRAIL a solid descender even when the trail is littered with roots and rocks, while maintaining impressive climbing abilities, due to the central seating position over the bottom bracket. The extra short seat tube and low stand over height help to create lots of space to manoeuvre the bike when the trail gets demanding but also allow for long travel dropper posts.

4

BOOST TECHNOLOGY

The entire BIG.TRAIL range offers Boost technology at the front and rear. The shallower axle standard of 110 mm (front) and 148 mm (rear) allows for a wider spoke angle, resulting in a stiffer and stronger wheel, hugely beneficial on trail hardtails with 29er wheels.

5

INTERNAL CABLE ROUTING

Cables are routed through the frame, entering and exiting through smooth sockets. The bike looks neat, whilst the cables are protected from moisture and dirt.

6

TRAIL MOUNT

The new 'Trail Mount' is positioned underneath the top tube/seat tube junction and this ingenious fixing point makes fitting an additional tool or a pump a breeze. The 'Trail Mount' offers a real advantage if you prefer to keep the weight off your back or if you are heading out for an extra-long outing where you might need to carry additional gear.


7

BUILT-IN VERSATILITY

While clearly a trail loving long-travel hardtail, our new BIG.TRAIL also offers built-in versatility through hidden rack, fender and kick stand mounts in case you like to turn the BIG.TRAIL into a 'SUV' commuter.

BIG.TRAIL 600

MATT GREEN (RED/SILVER-GREEN)

 **TFS** 6061 double butted and technoformed aluminium frame featuring a modern, fun focussed trail bike geometry with long reach, slack head angle and steep seat angle. Comes equipped with state of the art technology such as smooth welding, tapered head tube, inboard disc mounts, Boost hub spacing and internal cable routing.

| XC/MARATHON | TRAIL | ALL MOUNTAIN | ENDURO |




| | |
|-----------------------|-----------------------------------------------------------------------------------------------------------------|
| FRAME | BIG.TRAIL TFS, material: aluminium, 29x2.5" max. wheelsize, 148x12mm axle standard, BSA bottom bracket standard |
| FRAME SIZE | S, M, L, XL |
| FORK | Marzocchi Z2, Air, 140mm suspension travel, Tapered, 44mm fork offset, 29x2.6" max. wheelsize |
| BRAKES | Shimano M4100 |
| ROTORs | Shimano RT10 |
| HEADSET | MERIDA M2331 |
| HANDLEBAR | MERIDA EXPERT TR, material: aluminium, 780mm width, 20mm rise |
| HANDLEBAR STEM | MERIDA EXPERT TR, material: aluminium, 35mm diameter, 0° stem angle |
| GRIP | MERIDA COMP EC |
| DERAILLEUR (R) | Shimano Deore M6100 Shadwo+, SGS |
| SHIFTERS | Shimano SL -MT500-IL / Shimano Deore M6100 |
| SEAT POST | MERIDA COMP TR, 30.9mm diameter, 0mm setback, S: 125mm travel seatpost - M/L/XL: 150mm travel seatpost |
| SEAT CLAMP | MERIDA EXPERT |
| SADDLE | MERIDA COMP CC |
| CHAIN | KMC X12 |
| CHAINGUARD | Mr. Control CH-CM1 |

| | |
|-----------------------|-----------------------------------------------------------------------------------------------------------------|
| CHAINWHEEL | Race Face Ride, 32 teeth |
| FREEWHEEL | Shimano Deore M6100, 10-51 teeth, 12 speed |
| BOTTOM BRACKET | Race Face BSA 68/73 - 24mm |
| RIM | MERIDA EXPERT TR, 29mm inner width, material: aluminium, Tubeless ready (tubeless tape and valves not included) |
| HUBS | Shimano MT400-B / Shimano MT410-B |
| AXLES | MERIDA EXPERT TR |
| SPOKES | Black stainless |
| TIRES | Maxxis Dissector |



BIG.TRAIL 600

GLOSSY BLACK (MATT COOL GREY)

 **TFS** 6061 double butted and technoformed aluminium frame featuring a modern, fun focussed trail bike geometry with long reach, slack head angle and steep seat angle. Comes equipped with state of the art technology such as smooth welding, tapered head tube, inboard disc mounts, Boost hub spacing and internal cable routing.

| XC/MARATHON | TRAIL | ALL MOUNTAIN | ENDURO |




| | |
|-----------------------|-----------------------------------------------------------------------------------------------------------------|
| FRAME | BIG.TRAIL TFS, material: aluminium, 29x2.5" max. wheelsize, 148x12mm axle standard, BSA bottom bracket standard |
| FRAME SIZE | S, M, L, XL |
| FORK | Marzocchi Z2, Air, 140mm suspension travel, Tapered, 44mm fork offset, 29x2.6" max. wheelsize |
| BRAKES | Shimano M4100 |
| ROTORs | Shimano RT10 |
| HEADSET | MERIDA M2331 |
| HANDLEBAR | MERIDA EXPERT TR, material: aluminium, 780mm width, 20mm rise |
| HANDLEBAR STEM | MERIDA EXPERT TR, material: aluminium, 35mm diameter, 0° stem angle |
| GRIP | MERIDA COMP EC |
| DERAILLEUR (R) | Shimano Deore M6100 Shadwo+, SGS |
| SHIFTERS | Shimano SL -MT500-IL / Shimano Deore M6100 |
| SEAT POST | MERIDA COMP TR, 30.9mm diameter, 0mm setback, S: 125mm travel seatpost - M/L/XL: 150mm travel seatpost |
| SEAT CLAMP | MERIDA EXPERT |
| SADDLE | MERIDA COMP CC |
| CHAIN | KMC X12 |
| CHAINGUARD | Mr. Control CH-CM1 |

| | |
|-----------------------|-----------------------------------------------------------------------------------------------------------------|
| CHAINWHEEL | Race Face Ride, 32 teeth |
| FREEWHEEL | Shimano Deore M6100, 10-51 teeth, 12 speed |
| BOTTOM BRACKET | Race Face BSA 68/73 - 24mm |
| RIM | MERIDA EXPERT TR, 29mm inner width, material: aluminium, Tubeless ready (tubeless tape and valves not included) |
| HUBS | Shimano MT400-B / Shimano MT410-B |
| AXLES | MERIDA EXPERT TR |
| SPOKES | Black stainless |
| TIRES | Maxxis Dissector |



BIG.TRAIL 500

GLOSSY BLACK (MATT COOL GREY)

 **TFS** 6061 double butted and technoformed aluminium frame featuring a modern, fun focussed trail bike geometry with long reach, slack head angle and steep seat angle. Comes equipped with state of the art technology such as smooth welding, tapered head tube, inboard disc mounts, Boost hub spacing and internal cable routing.

| XC/MARATHON | TRAIL | ALL MOUNTAIN | ENDURO |




| | |
|-----------------------|-----------------------------------------------------------------------------------------------------------------|
| FRAME | BIG.TRAIL TFS, material: aluminium, 29x2.5" max. wheelsize, 148x12mm axle standard, BSA bottom bracket standard |
| FRAME SIZE | S, M, L, XL |
| FORK | Rock Shox Recon Silver RL, 140mm suspension travel, Tapered, 42mm fork offset, 29x2.8" max. wheelsize |
| BRAKES | Tektro M275 |
| ROTORS | Shimano RT10 |
| HEADSET | MERIDA M4455 |
| HANDLEBAR | MERIDA EXPERT TR, material: aluminium, 780mm width, 20mm rise |
| HANDLEBAR STEM | MERIDA EXPERT TR, material: aluminium, 35mm diameter, 0° stem angle |
| GRIP | MERIDA COMP EC |
| DERAILLEUR (R) | Shimano Deore M5100 Shadow+, SGS |
| SHIFTERS | Shimano SL -MT500-L / Shimano Deore M5100 |
| SEAT POST | MERIDA COMP TR, 30.9mm diameter, 0mm setback, S: 125mm travel seatpost - M/L/XL: 150mm travel seatpost |
| SEAT CLAMP | MERIDA EXPERT |
| SADDLE | MERIDA COMP CC |
| PEDAL | VP VPE-891 |
| CHAIN | KMC X11 GRY/GRY |

| | |
|-------------------|---------------------------------------------------------------------------------------------------------------|
| CHAINGUARD | Mr. Control CH-CM1 |
| CHAINWHEEL | Shimano Deore M5100, 32 teeth |
| FREEWHEEL | Shimano Deore M5100, 11-51 teeth, 11 speed |
| RIM | MERIDA COMP TR, 29mm inner width, material: aluminium, Tubeless ready (tubeless tape and valves not included) |
| HUBS | Shimano MT400-B |
| AXLES | MERIDA COMP TR |
| SPOKES | Black stainless |
| TIRES | Maxxis Dissector |



BIG.TRAIL 500

TEAL-BLUE (LIME/SILVER-BLUE)

 **TFS** 6061 double butted and technoformed aluminium frame featuring a modern, fun focussed trail bike geometry with long reach, slack head angle and steep seat angle. Comes equipped with state of the art technology such as smooth welding, tapered head tube, inboard disc mounts, Boost hub spacing and internal cable routing.

| XC/MARATHON | TRAIL | ALL MOUNTAIN | ENDURO |




| | |
|-----------------------|-----------------------------------------------------------------------------------------------------------------|
| FRAME | BIG.TRAIL TFS, material: aluminium, 29x2.5" max. wheelsize, 148x12mm axle standard, BSA bottom bracket standard |
| FRAME SIZE | S, M, L, XL |
| FORK | Rock Shox Recon Silver RL, 140mm suspension travel, Tapered, 42mm fork offset, 29x2.8" max. wheelsize |
| BRAKES | Tektro M275 |
| ROTORS | Shimano RT10 |
| HEADSET | MERIDA M4455 |
| HANDLEBAR | MERIDA EXPERT TR, material: aluminium, 780mm width, 20mm rise |
| HANDLEBAR STEM | MERIDA EXPERT TR, material: aluminium, 35mm diameter, 0° stem angle |
| GRIP | MERIDA COMP EC |
| DERAILLEUR (R) | Shimano Deore M5100 Shadow+, SGS |
| SHIFTERS | Shimano SL -MT500-L / Shimano Deore M5100 |
| SEAT POST | MERIDA COMP TR, 30.9mm diameter, 0mm setback, S: 125mm travel seatpost - M/L/XL: 150mm travel seatpost |
| SEAT CLAMP | MERIDA EXPERT |
| SADDLE | MERIDA COMP CC |
| PEDAL | VP VPE-891 |
| CHAIN | KMC X11 GRY/GRY |

| | |
|-------------------|---------------------------------------------------------------------------------------------------------------|
| CHAINGUARD | Mr. Control CH-CM1 |
| CHAINWHEEL | Shimano Deore M5100, 32 teeth |
| FREEWHEEL | Shimano Deore M5100, 11-51 teeth, 11 speed |
| RIM | MERIDA COMP TR, 29mm inner width, material: aluminium, Tubeless ready (tubeless tape and valves not included) |
| HUBS | Shimano MT400-B |
| AXLES | MERIDA COMP TR |
| SPOKES | Black stainless |
| TIRES | Maxxis Dissector |



BIG.TRAIL 400

GLOSSY BLACK (MATT COOL GREY)

 **TFS** 6061 double butted and technoformed aluminium frame featuring a modern, fun focussed trail bike geometry with long reach, slack head angle and steep seat angle. Comes equipped with state of the art technology such as smooth welding, tapered head tube, inboard disc mounts, Boost hub spacing and internal cable routing.

| XC/MARATHON | TRAIL | ALL MOUNTAIN | ENDURO |




| | |
|-----------------------|-----------------------------------------------------------------------------------------------------------------|
| FRAME | BIG.TRAIL TFS, material: aluminium, 29x2.5" max. wheelsize, 148x12mm axle standard, BSA bottom bracket standard |
| FRAME SIZE | S, M, L, XL |
| FORK | Suntour XCR34 LOR, Air, 140mm suspension travel, Tapered, lockout, 51mm fork offset, 29x2.4" max. wheelsize |
| BRAKES | Tektro M275 |
| ROTORS | Shimano RT10 |
| HEADSET | MERIDA M2345 |
| HANDLEBAR | MERIDA EXPERT CC, material: aluminium, 740mm width, 10mm rise |
| HANDLEBAR STEM | MERIDA COMP CC, material: aluminium, 31.8mm diameter, 7° stem angle |
| GRIP | MERIDA COMP EC |
| DERAILLEUR (R) | Shimano Deore M5120 Shadow+, SGS |
| SHIFTERS | Shimano SL -MT500-L / Shimano Deore M4100 |
| SEAT POST | MERIDA COMP TR, 30.9mm diameter, 0mm setback, S: 125mm travel seatpost - M/L/XL: 150mm travel seatpost |
| SEAT CLAMP | MERIDA COMP QR |
| SADDLE | MERIDA COMP CC |
| PEDAL | VP VPE-891 |
| CHAINWHEEL | Shimano Deore M5100, 32 teeth |

| | |
|------------------|---------------------------------------------------------------------------------------------------------------|
| FREEWHEEL | Shimano Deore M4100, 11-46 teeth, 10 speed |
| RIM | MERIDA COMP TR, 29mm inner width, material: aluminium, Tubeless ready (tubeless tape and valves not included) |
| HUBS | Shimano MT400-B |
| WHEELSET | KMC X10 |
| AXLES | MERIDA COMP TR |
| SPOKES | Black stainless |
| TIRES | Kenda Regolith |



BIG.TRAIL 400

SILK DARK PURPLE (SILVER-PURPLE)

 **TFS** 6061 double butted and technoformed aluminium frame featuring a modern, fun focussed trail bike geometry with long reach, slack head angle and steep seat angle. Comes equipped with state of the art technology such as smooth welding, tapered head tube, inboard disc mounts, Boost hub spacing and internal cable routing.

| XC/MARATHON | TRAIL | ALL MOUNTAIN | ENDURO |




| | |
|-----------------------|-----------------------------------------------------------------------------------------------------------------|
| FRAME | BIG.TRAIL TFS, material: aluminium, 29x2.5" max. wheelsize, 148x12mm axle standard, BSA bottom bracket standard |
| FRAME SIZE | S, M, L, XL |
| FORK | Suntour XCR34 LOR, Air, 140mm suspension travel, Tapered, lockout, 51mm fork offset, 29x2.4" max. wheelsize |
| BRAKES | Tektro M275 |
| ROTORS | Shimano RT10 |
| HEADSET | MERIDA M2345 |
| HANDLEBAR | MERIDA EXPERT CC, material: aluminium, 740mm width, 10mm rise |
| HANDLEBAR STEM | MERIDA COMP CC, material: aluminium, 31.8mm diameter, 7° stem angle |
| GRIP | MERIDA COMP EC |
| DERAILLEUR (R) | Shimano Deore M5120 Shadow+, SGS |
| SHIFTERS | Shimano SL -MT500-L / Shimano Deore M4100 |
| SEAT POST | MERIDA COMP TR, 30.9mm diameter, 0mm setback, S: 125mm travel seatpost - M/L/XL: 150mm travel seatpost |
| SEAT CLAMP | MERIDA COMP QR |
| SADDLE | MERIDA COMP CC |
| PEDAL | VP VPE-891 |
| CHAINWHEEL | Shimano Deore M5100, 32 teeth |

| | |
|------------------|---------------------------------------------------------------------------------------------------------------|
| FREEWHEEL | Shimano Deore M4100, 11-46 teeth, 10 speed |
| RIM | MERIDA COMP TR, 29mm inner width, material: aluminium, Tubeless ready (tubeless tape and valves not included) |
| HUBS | Shimano MT400-B |
| WHEELSET | KMC X10 |
| AXLES | MERIDA COMP TR |
| SPOKES | Black stainless |
| TIRES | Kenda Regolith |



BIG.TRAIL 200

GLOSSY BLACK (MATT COOL GREY)

 **TFS** 6061 double butted and technoformed aluminium frame featuring a modern, fun focussed trail bike geometry with long reach, slack head angle and steep seat angle. Comes equipped with state of the art technology such as smooth welding, tapered head tube, inboard disc mounts, Boost hub spacing and internal cable routing.

| XC/MARATHON | TRAIL | ALL MOUNTAIN | ENDURO |




| | |
|-------------------|-----------------------------------------------------------------------------------------------------------------|
| FRAME | BIG.TRAIL TFS, material: aluminium, 29x2.5" max. wheelsize, 148x12mm axle standard, BSA bottom bracket standard |
| FRAME SIZE | S, M, L, XL |
| FORK | Suntour XCM32 DS, Coil, 120mm suspension travel, Lockout, 46mm fork offset, 29x2.4" max. wheelsize |
| BRAKES | Tektro M275 |
| ROTOR | Shimano RT10 |
| HEADSET | MERIDA M2345 |
| HANDLEBAR | MERIDA EXPERT CC, material: aluminium, 740mm width, 10mm rise |
| GRIP | MERIDA COMP EC |
| SHIFTERS | Shimano Deore M4100 |
| SEAT POST | MERIDA COMP CC, material: aluminium, 30.9mm diameter, 0mm setback |
| SEAT CLAMP | MERIDA COMP QR |
| SADDLE | MERIDA COMP CC |
| PEDAL | VP VPE-891 |
| CHAIN | KMC X10 |
| CHAINWHEEL | Shimano Deore M5100, 32 teeth |
| FREEWHEEL | Shimano Deore M4100, 11-46 teeth, 10 speed |

| | |
|-----------------|---------------------------------------------------------------------------------------------------------------|
| RIM | MERIDA COMP TR, 29mm inner width, material: aluminium, Tubeless ready (tubeless tape and valves not included) |
| HUBS | Shimano MT400-B |
| WHEELSET | MERIDA COMP CC, material: aluminium, 31.8mm diameter, 7° stem angle |
| AXLES | MERIDA COMP TR |
| SPOKES | Black stainless |
| TIRES | Kenda Regolith |



BIG.TRAIL 200

ORANGE (BLACK)

 **TFS** 6061 double butted and technoformed aluminium frame featuring a modern, fun focussed trail bike geometry with long reach, slack head angle and steep seat angle. Comes equipped with state of the art technology such as smooth welding, tapered head tube, inboard disc mounts, Boost hub spacing and internal cable routing.

| XC/MARATHON | TRAIL | ALL MOUNTAIN | ENDURO |



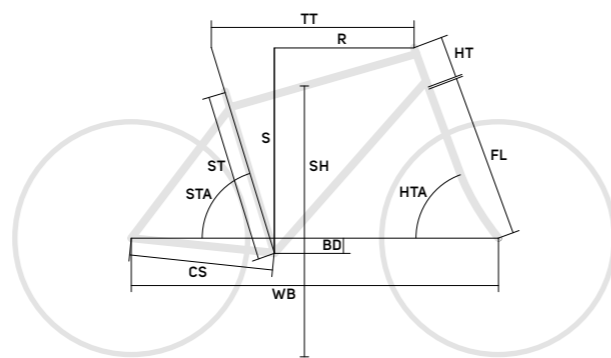
| | |
|-------------------|-----------------------------------------------------------------------------------------------------------------|
| FRAME | BIG.TRAIL TFS, material: aluminium, 29x2.5" max. wheelsize, 148x12mm axle standard, BSA bottom bracket standard |
| FRAME SIZE | S, M, L, XL |
| FORK | Suntour XCM32 DS, Coil, 120mm suspension travel, Lockout, 46mm fork offset, 29x2.4" max. wheelsize |
| BRAKES | Tektro M275 |
| ROTOR | Shimano RT10 |
| HEADSET | MERIDA M2345 |
| HANDLEBAR | MERIDA EXPERT CC, material: aluminium, 740mm width, 10mm rise |
| GRIP | MERIDA COMP EC |
| SHIFTERS | Shimano Deore M4100 |
| SEAT POST | MERIDA COMP CC, material: aluminium, 30.9mm diameter, 0mm setback |
| SEAT CLAMP | MERIDA COMP QR |
| SADDLE | MERIDA COMP CC |
| PEDAL | VP VPE-891 |
| CHAIN | KMC X10 |
| CHAINWHEEL | Shimano Deore M5100, 32 teeth |
| FREEWHEEL | Shimano Deore M4100, 11-46 teeth, 10 speed |

| | |
|-----------------|---------------------------------------------------------------------------------------------------------------|
| RIM | MERIDA COMP TR, 29mm inner width, material: aluminium, Tubeless ready (tubeless tape and valves not included) |
| HUBS | Shimano MT400-B |
| WHEELSET | MERIDA COMP CC, material: aluminium, 31.8mm diameter, 7° stem angle |
| AXLES | MERIDA COMP TR |
| SPOKES | Black stainless |
| TIRES | Kenda Regolith |



BIG.TRAIL

GEOMETRIES



BIG.TRAIL TFS

| FS Frame Size | S | M | L | XL |
|-----------------------------|------|------|------|------|
| TS Tire Size | 29" | 29" | 29" | 29" |
| ST seat tube [mm] | 380 | 410 | 430 | 450 |
| TT top tube [mm] | 579 | 600 | 622 | 645 |
| CS chain stay length [mm] | 435 | 435 | 435 | 435 |
| HTA head tube angle [°] | 65.5 | 65.5 | 65.5 | 65.5 |
| STA seat tube angle [°] | 75.5 | 75.5 | 75.5 | 75.5 |
| BD bottom bracket drop [mm] | 66.5 | 66.5 | 66.5 | 66.5 |
| HT head tube [mm] | 95 | 100 | 110 | 120 |
| FL fork length [mm] | 550 | 550 | 550 | 550 |
| R reach [mm] | 415 | 435 | 455 | 475 |
| S stack [mm] | 636 | 641 | 650 | 659 |
| WB wheel base [mm] | 1150 | 1172 | 1196 | 1220 |
| SH stand over height [mm] | 716 | 723 | 725 | 728 |



FRAME INTERFACES

| | |
|------------------------------|------------------------------------------------------------------------------------|
| MAX. WHEELSIZE | 29x2.5" |
| MAX. CHAINRING | 1x34T |
| HEAD TUBE | 1 1/8" & 1 1/2" • |
| HEADSET | SEMI-INTEGRATED (44-55 mm) • |
| BRAKE STANDARD | DISC BRAKE ON CHAIN STAY • POST MOUNT 180 mm REAR BRAKE • |
| BB-STANDARD | BSA 73 mm • |
| SEATPOST DIAMETER | 30.9 mm • |
| REAR DROPOUT-STANDARD | THRU AXLE 12x148 mm • |
| CABLE ROUTING | INTERNAL SHIFTING CABLES • INTERNAL BRAKE CABLE • INTERNAL SEAT POST CABLE • |
| EQUIPMENT OPTIONS | ATRAN VELO 17 mm • FENDER MOUNT FRAME • CARRIER MOUNT FRAME • |
| FD-STANDARD | 1x specific |
| FRAME WEIGHT | 2200g size M +/- 3% |
| RD HANGER | Sram UDH |



MATTS

COMFORTABLE, FUN AND VERSATILE

MATTS stands for 'MERIDA Aluminium TIG-welding Technology System' and is one of the longest-running bike categories in our history. This classic mountain bike offers quality aluminium frames, solid spec packages and reliable performance at a fantastic price. Our comfort inspiring MATTS geometry, paired with 650B (or 26" – depending on size and model) wheels and double or triple drivetrains deliver the perfect entry into the world of mountain biking.



THIS IS WHAT WE DO

Aluminium welding is the strong point of our factories. 48 years of production knowledge and experience go into every frame we make. The MATTs is one of the most long-standing bike categories in our history and is proud to carry the name MERIDA.

1

COMFORT INSPIRED HARDTAIL GEOMETRY

A more compact top tube, paired with a higher front end, provide the MATTs with a more upright riding position, deliver extra riding comfort for the rider as well as a better view of what lies ahead.

2

HYDRAULIC DISC BRAKES

All models in the MATTs family (with the exception of the 10-V) feature powerful and easy to modulate hydraulic disc brakes. Hydraulic disc brakes offer great stopping power in any weather, are more or less maintenance-free and are not affected by rough or kinked cables.

3

650B or 26" WHEELS

Our MATTs offer either 650B or 26" wheels, depending on model and frame size. The top models of the MATTs line-up feature fast rolling 650B wheels, while the middle range offers the smaller models with easy to accelerate 26" wheels. The MATTs 10-V entry model comes with 26" wheels throughout all frame sizes.


4

KIT ME OUT

The MATTs frames have bosses and fixture points to attach a water bottle cage, rear fenders, a rear rack and a kickstand, making it super versatile if and when it gets used as a commuter or more urban-focused bike.

MATTS 7. 80

MATT COOL GREY (SILVER)

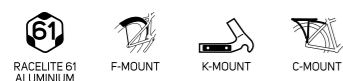
 **SPEED** 6061 series double butted aluminium frame with a more relaxed geometry. Comes equipped with fender, carrier and kickstand mounts.

| LEISURE | TOUR | ENDURANCE | RACE |




| | |
|-----------------------|-----------------------------------------------------------------------------------------------------------------------|
| FRAME | MATTS 7. SPEED II, material: aluminium, 27.5x2.25" max. wheelsize, 135x9mm axle standard, BSA bottom bracket standard |
| FRAME SIZE | XS, S, M, L |
| FORK | Suntour XCR32 LOR, Air, 100mm suspension travel, Lockout, 42mm fork offset, 27.5x2.25" max. wheelsize |
| BRAKES | Shimano MT-200 |
| ROTORS | Shimano RT10 |
| HEADSET | FSA NO.10P Neck15 |
| HANDLEBAR | MERIDA COMP CC, material: aluminium, 660mm width, 25mm rise |
| HANDLEBAR STEM | MERIDA CC, material: aluminium, 31.8mm diameter, 17° stem angle, XS/S/M-80 mm, L-90 mm |
| GRIP | MERIDA EC |
| DERAILLEUR (F) | Shimano Deore |
| DERAILLEUR (R) | Shimano Deore M4120 Shadow |
| SHIFTERS | Shimano Deore M5100 / Shimano Deore M4100 |
| SEAT POST | MERIDA CC, material: aluminium, 27.2mm diameter, 15mm setback |
| SEAT CLAMP | MERIDA COMP QR |
| SADDLE | MERIDA Sport comfort |
| PEDAL | VP VPE-891 |

| | |
|-----------------------|--------------------------------------------------------------|
| CHAIN | KMC X10 |
| CHAINWHEEL | Shimano Deore M-4100-2, 36-26 teeth, 170 mm-XS/S, 175 mm-M/L |
| FREEWHEEL | Shimano Deore M4100, 11-42 teeth, 10 speed |
| BOTTOM BRACKET | attached |
| RIM | MERIDA CC, 17mm inner width, material: aluminium |
| HUBS | Shimano TX505 |
| SPOKES | Black steel |
| TIRES | MERIDA K1080 |



MATTS 7. 80

SILK GREEN (LIME)

 **SPEED** 6061 series double butted aluminium frame with a more relaxed geometry. Comes equipped with fender, carrier and kickstand mounts.

| LEISURE | TOUR | ENDURANCE | RACE |




| | |
|-----------------------|-----------------------------------------------------------------------------------------------------------------------|
| FRAME | MATTS 7. SPEED II, material: aluminium, 27.5x2.25" max. wheelsize, 135x9mm axle standard, BSA bottom bracket standard |
| FRAME SIZE | XS, S, M, L |
| FORK | Suntour XCR32 LOR, Air, 100mm suspension travel, Lockout, 42mm fork offset, 27.5x2.25" max. wheelsize |
| BRAKES | Shimano MT-200 |
| ROTORS | Shimano RT10 |
| HEADSET | FSA NO.10P Neck15 |
| HANDLEBAR | MERIDA COMP CC, material: aluminium, 660mm width, 25mm rise |
| HANDLEBAR STEM | MERIDA CC, material: aluminium, 31.8mm diameter, 17° stem angle, XS/S/M-80 mm, L-90 mm |
| GRIP | MERIDA EC |
| DERAILLEUR (F) | Shimano Deore |
| DERAILLEUR (R) | Shimano Deore M4120 Shadow |
| SHIFTERS | Shimano Deore M5100 / Shimano Deore M4100 |
| SEAT POST | MERIDA CC, material: aluminium, 27.2mm diameter, 15mm setback |
| SEAT CLAMP | MERIDA COMP QR |
| SADDLE | MERIDA Sport comfort |
| PEDAL | VP VPE-891 |

| | |
|-----------------------|--------------------------------------------------------------|
| CHAIN | KMC X10 |
| CHAINWHEEL | Shimano Deore M-4100-2, 36-26 teeth, 170 mm-XS/S, 175 mm-M/L |
| FREEWHEEL | Shimano Deore M4100, 11-42 teeth, 10 speed |
| BOTTOM BRACKET | attached |
| RIM | MERIDA CC, 17mm inner width, material: aluminium |
| HUBS | Shimano TX505 |
| SPOKES | Black steel |
| TIRES | MERIDA K1080 |



MATTS 7. 70

MATT COOL GREY (SILVER)

 **SPEED** 6061 series double butted aluminium frame with a more relaxed geometry. Comes equipped with fender, carrier and kickstand mounts.

| LEISURE | TOUR | ENDURANCE | RACE |




| | |
|-----------------------|-----------------------------------------------------------------------------------------------------------------------|
| FRAME | MATTS 7. SPEED II, material: aluminium, 27.5x2.25" max. wheelsize, 135x9mm axle standard, BSA bottom bracket standard |
| FRAME SIZE | XS, S, M, L |
| FORK | Suntour XCR32 LOR, Air, 100mm suspension travel, Lockout, 42mm fork offset, 27.5x2.25" max. wheelsize |
| BRAKES | Shimano MT-200 |
| ROTORS | Shimano RT10 |
| HEADSET | FSA NO.10P Neck15 |
| HANDLEBAR | MERIDA COMP CC, material: aluminium, 660mm width, 25mm rise |
| HANDLEBAR STEM | MERIDA CC, material: aluminium, 31.8mm diameter, 17° stem angle, XS/S/M-80 mm, L-90 mm |
| GRIP | MERIDA EC |
| DERAILLEUR (R) | Shimano Deore M5120 Shadow+ |
| SHIFTERS | Shimano Deore M4100 |
| SEAT POST | MERIDA CC, material: aluminium, 27.2mm diameter, 15mm setback |
| SEAT CLAMP | MERIDA COMP QR |
| SADDLE | MERIDA Sport comfort |
| PEDAL | VP VPE-891 |
| CHAIN | KMC X10 |

| | |
|-----------------------|--------------------------------------------------------|
| CHAINWHEEL | Shimano Deore M5100, 32 teeth, 170 mm-XS/S, 175 mm-M/L |
| FREEWHEEL | Shimano Deore M4100, 11-46 teeth, 10 speed |
| BOTTOM BRACKET | attached |
| RIM | MERIDA CC, 17mm inner width, material: aluminium |
| HUBS | Shimano TX505 |
| SPOKES | Black steel |
| TIRES | MERIDA K1080 |



MATTS 7. 70

ORANGE (RED)

 **SPEED** 6061 series double butted aluminium frame with a more relaxed geometry. Comes equipped with fender, carrier and kickstand mounts.

| LEISURE | TOUR | ENDURANCE | RACE |




| | |
|-----------------------|-----------------------------------------------------------------------------------------------------------------------|
| FRAME | MATTS 7. SPEED II, material: aluminium, 27.5x2.25" max. wheelsize, 135x9mm axle standard, BSA bottom bracket standard |
| FRAME SIZE | XS, S, M, L |
| FORK | Suntour XCR32 LOR, Air, 100mm suspension travel, Lockout, 42mm fork offset, 27.5x2.25" max. wheelsize |
| BRAKES | Shimano MT-200 |
| ROTORS | Shimano RT10 |
| HEADSET | FSA NO.10P Neck15 |
| HANDLEBAR | MERIDA COMP CC, material: aluminium, 660mm width, 25mm rise |
| HANDLEBAR STEM | MERIDA CC, material: aluminium, 31.8mm diameter, 17° stem angle, XS/S/M-80 mm, L-90 mm |
| GRIP | MERIDA EC |
| DERAILLEUR (R) | Shimano Deore M5120 Shadow+ |
| SHIFTERS | Shimano Deore M4100 |
| SEAT POST | MERIDA CC, material: aluminium, 27.2mm diameter, 15mm setback |
| SEAT CLAMP | MERIDA COMP QR |
| SADDLE | MERIDA Sport comfort |
| PEDAL | VP VPE-891 |
| CHAIN | KMC X10 |

| | |
|-----------------------|--------------------------------------------------------|
| CHAINWHEEL | Shimano Deore M5100, 32 teeth, 170 mm-XS/S, 175 mm-M/L |
| FREEWHEEL | Shimano Deore M4100, 11-46 teeth, 10 speed |
| BOTTOM BRACKET | attached |
| RIM | MERIDA CC, 17mm inner width, material: aluminium |
| HUBS | Shimano TX505 |
| SPOKES | Black steel |
| TIRES | MERIDA K1080 |



MATTS 7. 60-3x

MATT COOL GREY (SILVER)

 **SPEED** 6061 series double butted aluminium frame with a more relaxed geometry. Comes equipped with fender, carrier and kickstand mounts.

| LEISURE | TOUR | ENDURANCE | RACE |




| | |
|-----------------------|-----------------------------------------------------------------------------------------------------------------------|
| FRAME | MATTS 7. SPEED II, material: aluminium, 27.5x2.25" max. wheelsize, 135x9mm axle standard, BSA bottom bracket standard |
| FRAME SIZE | XS, S, M, L |
| FORK | Rock Shox Judy TK, Coil, 100mm suspension travel Lockout, 42mm fork offset, 27.5x2.25" max. wheelsize |
| BRAKES | Shimano ST-EF505 |
| ROTORS | Shimano RT10 |
| HEADSET | FSA NO.10P Neck15 |
| HANDLEBAR | MERIDA CC, material: aluminium, 640mm width, 25mm rise |
| HANDLEBAR STEM | MERIDA CC, material: aluminium, 31.8mm diameter, 17° stem angle, 80 mm-XS/S/M, 90 mm-L |
| GRIP | MERIDA EC |
| DERAILLEUR (F) | Shimano FD-M2000 |
| DERAILLEUR (R) | Shimano RD-M370 |
| SHIFTERS | Shimano ST-EF505 |
| SEAT POST | MERIDA CC, material: aluminium, 27.2mm diameter, 15mm setback |
| SEAT CLAMP | MERIDA COMP QR |
| SADDLE | MERIDA Sport comfort |
| PEDAL | VP VPE-891 |

| | |
|-----------------------|--------------------------------------------------------|
| CHAIN | KMC M99 |
| CHAINWHEEL | Shimano MT101, 40-30-22 teeth, 170 mm-XS/S, 175 mm-M/L |
| FREEWHEEL | Shimano CS-HG200, 11-32 teeth, 9 speed |
| BOTTOM BRACKET | Shimano BB-UN100 |
| RIM | MERIDA CC, 17mm inner width, material: aluminium |
| HUBS | Shimano TX505 |
| SPOKES | Black steel |
| TIRES | MERIDA K1080 |



MATTS 7. 60-3x

MATT DARK BLUE (YELLOW)

 **SPEED** 6061 series double butted aluminium frame with a more relaxed geometry. Comes equipped with fender, carrier and kickstand mounts.

| LEISURE | TOUR | ENDURANCE | RACE |




| | |
|-----------------------|-----------------------------------------------------------------------------------------------------------------------|
| FRAME | MATTS 7. SPEED II, material: aluminium, 27.5x2.25" max. wheelsize, 135x9mm axle standard, BSA bottom bracket standard |
| FRAME SIZE | XS, S, M, L |
| FORK | Rock Shox Judy TK, Coil, 100mm suspension travel Lockout, 42mm fork offset, 27.5x2.25" max. wheelsize |
| BRAKES | Shimano ST-EF505 |
| ROTORS | Shimano RT10 |
| HEADSET | FSA NO.10P Neck15 |
| HANDLEBAR | MERIDA CC, material: aluminium, 640mm width, 25mm rise |
| HANDLEBAR STEM | MERIDA CC, material: aluminium, 31.8mm diameter, 17° stem angle, 80 mm-XS/S/M, 90 mm-L |
| GRIP | MERIDA EC |
| DERAILLEUR (F) | Shimano FD-M2000 |
| DERAILLEUR (R) | Shimano RD-M370 |
| SHIFTERS | Shimano ST-EF505 |
| SEAT POST | MERIDA CC, material: aluminium, 27.2mm diameter, 15mm setback |
| SEAT CLAMP | MERIDA COMP QR |
| SADDLE | MERIDA Sport comfort |
| PEDAL | VP VPE-891 |

| | |
|-----------------------|--------------------------------------------------------|
| CHAIN | KMC M99 |
| CHAINWHEEL | Shimano MT101, 40-30-22 teeth, 170 mm-XS/S, 175 mm-M/L |
| FREEWHEEL | Shimano CS-HG200, 11-32 teeth, 9 speed |
| BOTTOM BRACKET | Shimano BB-UN100 |
| RIM | MERIDA CC, 17mm inner width, material: aluminium |
| HUBS | Shimano TX505 |
| SPOKES | Black steel |
| TIRES | MERIDA K1080 |



MATTS 7. 60-2x

MATT COOL GREY (SILVER)

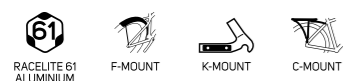
 **SPEED** 6061 series double butted aluminium frame with a more relaxed geometry. Comes equipped with fender, carrier and kickstand mounts.

| LEISURE | TOUR | ENDURANCE | RACE |




| | |
|-----------------------|-----------------------------------------------------------------------------------------------------------------------|
| FRAME | MATTS 7. SPEED II, material: aluminium, 27.5x2.25" max. wheelsize, 135x9mm axle standard, BSA bottom bracket standard |
| FRAME SIZE | XS, S, M, L |
| FORK | Rock Shox Judy TK, Coil, 100mm suspension travel Lockout, 42mm fork offset, 27.5x2.25" max. wheelsize |
| BRAKES | Shimano ST-EF505 |
| ROTORS | Shimano RT10 |
| HEADSET | FSA NO.10P Neck15 |
| HANDLEBAR | MERIDA CC, material: aluminium, 640mm width, 25mm rise |
| HANDLEBAR STEM | MERIDA CC, material: aluminium, 31.8mm diameter, 17° stem angle, 80 mm-XS/S/M, 90 mm-L |
| GRIP | MERIDA EC |
| DERAILLEUR (F) | Shimano FD-M2020-TS [2s] |
| DERAILLEUR (R) | Shimano RD-M370 |
| SHIFTERS | Shimano ST-EF505-2L / Shimano ST-EF505 |
| SEAT POST | MERIDA CC, material: aluminium, 27.2mm diameter, 15mm setback |
| SEAT CLAMP | MERIDA COMP QR |
| SADDLE | MERIDA Sport comfort |
| PEDAL | VP VPE-891 |

| | |
|-----------------------|-------------------------------------------------------|
| CHAIN | KMC M99 |
| CHAINWHEEL | Shimano MT101-2, 36-22 teeth, 170 mm-XS/S, 175 mm-M/L |
| FREEWHEEL | Shimano CS-HG200, 11-32 teeth, 9 speed |
| BOTTOM BRACKET | Shimano BB-UN100 |
| RIM | MERIDA CC, 17mm inner width, material: aluminium |
| HUBS | Shimano TX505 |
| SPOKES | Black steel |
| TIRES | MERIDA K1080 |



MATTS 7. 60-2x

MATT DARK BLUE (YELLOW)

 **SPEED** 6061 series double butted aluminium frame with a more relaxed geometry. Comes equipped with fender, carrier and kickstand mounts.

| LEISURE | TOUR | ENDURANCE | RACE |




| | |
|-----------------------|-----------------------------------------------------------------------------------------------------------------------|
| FRAME | MATTS 7. SPEED II, material: aluminium, 27.5x2.25" max. wheelsize, 135x9mm axle standard, BSA bottom bracket standard |
| FRAME SIZE | XS, S, M, L |
| FORK | Rock Shox Judy TK, Coil, 100mm suspension travel Lockout, 42mm fork offset, 27.5x2.25" max. wheelsize |
| BRAKES | Shimano ST-EF505 |
| ROTORS | Shimano RT10 |
| HEADSET | FSA NO.10P Neck15 |
| HANDLEBAR | MERIDA CC, material: aluminium, 640mm width, 25mm rise |
| HANDLEBAR STEM | MERIDA CC, material: aluminium, 31.8mm diameter, 17° stem angle, 80 mm-XS/S/M, 90 mm-L |
| GRIP | MERIDA EC |
| DERAILLEUR (F) | Shimano FD-M2020-TS [2s] |
| DERAILLEUR (R) | Shimano RD-M370 |
| SHIFTERS | Shimano ST-EF505-2L / Shimano ST-EF505 |
| SEAT POST | MERIDA CC, material: aluminium, 27.2mm diameter, 15mm setback |
| SEAT CLAMP | MERIDA COMP QR |
| SADDLE | MERIDA Sport comfort |
| PEDAL | VP VPE-891 |

| | |
|-----------------------|-------------------------------------------------------|
| CHAIN | KMC M99 |
| CHAINWHEEL | Shimano MT101-2, 36-22 teeth, 170 mm-XS/S, 175 mm-M/L |
| FREEWHEEL | Shimano CS-HG200, 11-32 teeth, 9 speed |
| BOTTOM BRACKET | Shimano BB-UN100 |
| RIM | MERIDA CC, 17mm inner width, material: aluminium |
| HUBS | Shimano TX505 |
| SPOKES | Black steel |
| TIRES | MERIDA K1080 |



MATTS 7. 30

MATT COOL GREY (SILVER)

 **SPEED** 6061 series double butted aluminium frame with a more relaxed geometry. Comes equipped with fender, carrier and kickstand mounts.

| LEISURE | TOUR | ENDURANCE | RACE |




| | |
|-----------------------|-----------------------------------------------------------------------------------------------------------------------|
| FRAME | MATTS 7. SPEED II, material: aluminium, 27.5x2.25" max. wheelsize, 135x9mm axle standard, BSA bottom bracket standard |
| FRAME SIZE | XS, S, M, L |
| FORK | Suntour XCT30 HLO, Coil, 100mm suspension travel, Lockout, 27.5x2.25" max. wheelsize |
| BRAKES | Tektro HD-M275 |
| ROTORS | Shimano RT10 |
| HEADSET | FSA NO.10P Neck15 |
| HANDLEBAR | MERIDA COMP CC, material: aluminium, 660mm width, 25mm rise |
| HANDLEBAR STEM | MERIDA CC, material: aluminium, 31.8mm diameter, 17° stem angle, XS/S/M-80 mm, L-90 mm |
| GRIP | MERIDA COMP EC |
| DERAILLEUR (F) | Shimano M2000 |
| DERAILLEUR (R) | Shimano Alivio Shadow |
| SHIFTERS | Shimano Altus |
| SEAT POST | MERIDA CC, material: aluminium, 27.2mm diameter, 15mm setback |
| SEAT CLAMP | MERIDA COMP QR |
| SADDLE | MERIDA Sport comfort |
| PEDAL | VP VPE-891 |

| | |
|-----------------------|-------------------------------------------------------|
| CHAIN | KMC M99 |
| CHAINWHEEL | Shimano MT101, 40-30-22 teeth, 170 mm-XS, 175 mm-M up |
| FREEWHEEL | Shimano HG200, 11-36 teeth, 9 speed |
| BOTTOM BRACKET | FSA TH-7420ST-W, Cartridge Bearing |
| RIM | MERIDA COMP CC, 20mm inner width, material: aluminium |
| HUBS | Shimano TX505 |
| SPOKES | Black steel |
| TIRES | MERIDA K1080 |



MATTS 7. 30

BLUE (TEAL)

 **SPEED** 6061 series double butted aluminium frame with a more relaxed geometry. Comes equipped with fender, carrier and kickstand mounts.

| LEISURE | TOUR | ENDURANCE | RACE |




| | |
|-----------------------|-----------------------------------------------------------------------------------------------------------------------|
| FRAME | MATTS 7. SPEED II, material: aluminium, 27.5x2.25" max. wheelsize, 135x9mm axle standard, BSA bottom bracket standard |
| FRAME SIZE | XS, S, M, L |
| FORK | Suntour XCT30 HLO, Coil, 100mm suspension travel, Lockout, 27.5x2.25" max. wheelsize |
| BRAKES | Tektro HD-M275 |
| ROTORS | Shimano RT10 |
| HEADSET | FSA NO.10P Neck15 |
| HANDLEBAR | MERIDA COMP CC, material: aluminium, 660mm width, 25mm rise |
| HANDLEBAR STEM | MERIDA CC, material: aluminium, 31.8mm diameter, 17° stem angle, XS/S/M-80 mm, L-90 mm |
| GRIP | MERIDA COMP EC |
| DERAILLEUR (F) | Shimano M2000 |
| DERAILLEUR (R) | Shimano Alivio Shadow |
| SHIFTERS | Shimano Altus |
| SEAT POST | MERIDA CC, material: aluminium, 27.2mm diameter, 15mm setback |
| SEAT CLAMP | MERIDA COMP QR |
| SADDLE | MERIDA Sport comfort |
| PEDAL | VP VPE-891 |

| | |
|-----------------------|-------------------------------------------------------|
| CHAIN | KMC M99 |
| CHAINWHEEL | Shimano MT101, 40-30-22 teeth, 170 mm-XS, 175 mm-M up |
| FREEWHEEL | Shimano HG200, 11-36 teeth, 9 speed |
| BOTTOM BRACKET | FSA TH-7420ST-W, Cartridge Bearing |
| RIM | MERIDA COMP CC, 20mm inner width, material: aluminium |
| HUBS | Shimano TX505 |
| SPOKES | Black steel |
| TIRES | MERIDA K1080 |



MATTS 7. 20

MATT COOL GREY (SILVER)

 **SPEED** 6061 series double butted aluminium frame with a more relaxed geometry. Comes equipped with fender, carrier and kickstand mounts.

| LEISURE | TOUR | ENDURANCE | RACE |




| | |
|-----------------------|-----------------------------------------------------------------------------------------------------------------------|
| FRAME | MATTS 7. SPEED II, material: aluminium, 27.5x2.25" max. wheelsize, 135x9mm axle standard, BSA bottom bracket standard |
| FRAME SIZE | XS, S, M, L |
| FORK | Suntour XCT30 HLO, Coil, 100mm suspension travel, Lockout, 27.5x2.25" max. wheelsize |
| BRAKES | Shimano ST-EF505 |
| ROTORS | Shimano RT10 |
| HEADSET | FSA NO.10P Neck15 |
| HANDLEBAR | MERIDA CC, material: aluminium, 640mm width, 25mm rise |
| HANDLEBAR STEM | MERIDA CC, material: aluminium, 31.8mm diameter, 17° stem angle, 80 mm-XS/S/M, 90 mm-L |
| GRIP | MERIDA EC |
| DERAILLEUR (F) | Shimano FD-TY700 |
| DERAILLEUR (R) | Shimano RD-M360 |
| SHIFTERS | Shimano ST-EF505 |
| SEAT POST | MERIDA CC, material: aluminium, 27.2mm diameter, 15mm setback |
| SEAT CLAMP | MERIDA COMP QR |
| SADDLE | MERIDA Sport comfort |
| PEDAL | VP VPE-891 |

| | |
|-----------------------|--------------------------------------------------------|
| CHAIN | Sunrace M84 |
| CHAINWHEEL | Shimano TY301, 42-34-24 teeth, 170 mm-XS/S, 175 mm-M/L |
| FREEWHEEL | Sunrace CSM668, 11-32 teeth, 8 speed |
| BOTTOM BRACKET | FSA TH-7420ST-W, Cartridge Bearing |
| RIM | MERIDA CC, 17mm inner width, material: aluminium |
| HUBS | Shimano TX505 |
| SPOKES | Black steel |
| TIRES | MERIDA K1080 |



MATTS 7. 20

LIME (RED)

 **SPEED** 6061 series double butted aluminium frame with a more relaxed geometry. Comes equipped with fender, carrier and kickstand mounts.

| LEISURE | TOUR | ENDURANCE | RACE |




| | |
|-----------------------|-----------------------------------------------------------------------------------------------------------------------|
| FRAME | MATTS 7. SPEED II, material: aluminium, 27.5x2.25" max. wheelsize, 135x9mm axle standard, BSA bottom bracket standard |
| FRAME SIZE | XS, S, M, L |
| FORK | Suntour XCT30 HLO, Coil, 100mm suspension travel, Lockout, 27.5x2.25" max. wheelsize |
| BRAKES | Shimano ST-EF505 |
| ROTORS | Shimano RT10 |
| HEADSET | FSA NO.10P Neck15 |
| HANDLEBAR | MERIDA CC, material: aluminium, 640mm width, 25mm rise |
| HANDLEBAR STEM | MERIDA CC, material: aluminium, 31.8mm diameter, 17° stem angle, 80 mm-XS/S/M, 90 mm-L |
| GRIP | MERIDA EC |
| DERAILLEUR (F) | Shimano FD-TY700 |
| DERAILLEUR (R) | Shimano RD-M360 |
| SHIFTERS | Shimano ST-EF505 |
| SEAT POST | MERIDA CC, material: aluminium, 27.2mm diameter, 15mm setback |
| SEAT CLAMP | MERIDA COMP QR |
| SADDLE | MERIDA Sport comfort |
| PEDAL | VP VPE-891 |

| | |
|-----------------------|--------------------------------------------------------|
| CHAIN | Sunrace M84 |
| CHAINWHEEL | Shimano TY301, 42-34-24 teeth, 170 mm-XS/S, 175 mm-M/L |
| FREEWHEEL | Sunrace CSM668, 11-32 teeth, 8 speed |
| BOTTOM BRACKET | FSA TH-7420ST-W, Cartridge Bearing |
| RIM | MERIDA CC, 17mm inner width, material: aluminium |
| HUBS | Shimano TX505 |
| SPOKES | Black steel |
| TIRES | MERIDA K1080 |



MATTS 6. 10-V

MATT COOL GREY (SILVER)

 **SPEED** 6061 series double butted aluminium frame with a more relaxed geometry. Comes equipped with fender, carrier and kickstand mounts.

| LEISURE | TOUR | ENDURANCE | RACE |




| | |
|-----------------------|------------------------------------------------------------------------------------------------------------------|
| FRAME | MATTS 6. SPEED, material: aluminium, 26x2.25" max. wheelsize, 135x9mm axle standard, BSA bottom bracket standard |
| FRAME SIZE | XS, S, M |
| FORK | Suntour XCE, Coil, 100mm suspension travel, 26x2.1" max. wheelsize |
| BRAKES | Promax MTV-117A |
| HEADSET | FSA NO.10P Neck15 |
| HANDLEBAR | MERIDA CC, material: steel, 620mm width, 30mm rise |
| HANDLEBAR STEM | MERIDA CC, material: aluminium, 25.4mm diameter, 15° stem angle, 80 mm-XS/S, 90 mm-M |
| GRIP | MERIDA EC |
| DERAILLEUR (F) | Shimano FD-TY300 |
| DERAILLEUR (R) | Shimano RD-M310 |
| SHIFTERS | Shimano ST-EF500 |
| SEAT POST | MERIDA CC, material: aluminium, 27.2mm diameter, 15mm setback |
| SEAT CLAMP | MERIDA COMP QR |
| SADDLE | MERIDA Sport comfort |
| PEDAL | VP VPE-891 |
| CHAIN | KMC NS8 |

| | |
|-----------------------|------------------------------------------------------|
| CHAINWHEEL | Shimano TY301, 42-34-24 teeth, 170 mm-XS/S, 175 mm-M |
| FREEWHEEL | Shimano MF-TZ500, 14-28 teeth, 7 speed |
| BOTTOM BRACKET | FSA TH-7420ST-W, Cartridge Bearing |
| RIM | MERIDA CC, 17mm inner width, material: aluminium |
| HUBS | Joytech JY-751DSE / Joytech JY-752DSE |
| SPOKES | Steel UCP |
| TIRES | MERIDA K1047 |



MATTS 6. 10-V

SILK BLUE (ORANGE)

 **SPEED** 6061 series double butted aluminium frame with a more relaxed geometry. Comes equipped with fender, carrier and kickstand mounts.

| LEISURE | TOUR | ENDURANCE | RACE |



| | |
|-----------------------|------------------------------------------------------------------------------------------------------------------|
| FRAME | MATTS 6. SPEED, material: aluminium, 26x2.25" max. wheelsize, 135x9mm axle standard, BSA bottom bracket standard |
| FRAME SIZE | XS, S, M |
| FORK | Suntour XCE, Coil, 100mm suspension travel, 26x2.1" max. wheelsize |
| BRAKES | Promax MTV-117A |
| HEADSET | FSA NO.10P Neck15 |
| HANDLEBAR | MERIDA CC, material: steel, 620mm width, 30mm rise |
| HANDLEBAR STEM | MERIDA CC, material: aluminium, 25.4mm diameter, 15° stem angle, 80 mm-XS/S, 90 mm-M |
| GRIP | MERIDA EC |
| DERAILLEUR (F) | Shimano FD-TY300 |
| DERAILLEUR (R) | Shimano RD-M310 |
| SHIFTERS | Shimano ST-EF500 |
| SEAT POST | MERIDA CC, material: aluminium, 27.2mm diameter, 15mm setback |
| SEAT CLAMP | MERIDA COMP QR |
| SADDLE | MERIDA Sport comfort |
| PEDAL | VP VPE-891 |
| CHAIN | KMC NS8 |

| | |
|-----------------------|------------------------------------------------------|
| CHAINWHEEL | Shimano TY301, 42-34-24 teeth, 170 mm-XS/S, 175 mm-M |
| FREEWHEEL | Shimano MF-TZ500, 14-28 teeth, 7 speed |
| BOTTOM BRACKET | FSA TH-7420ST-W, Cartridge Bearing |
| RIM | MERIDA CC, 17mm inner width, material: aluminium |
| HUBS | Joytech JY-751DSE / Joytech JY-752DSE |
| SPOKES | Steel UCP |
| TIRES | MERIDA K1047 |



MATTS 6. 10-V

GREEN (OLIVE/BLACK)

SPEED 6061 series double butted aluminium frame with a more relaxed geometry. Comes equipped with fender, carrier and kickstand mounts.

| LEISURE | TOUR | ENDURANCE | RACE |



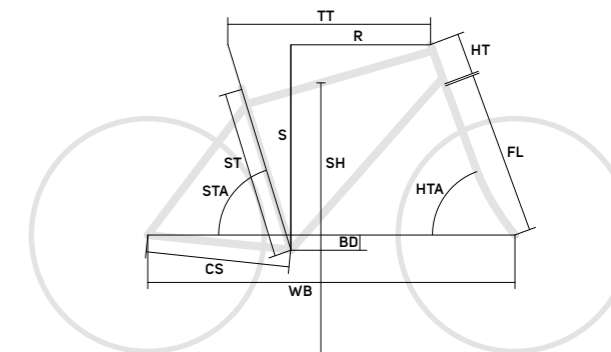
| | |
|-----------------------|------------------------------------------------------------------------------------------------------------------|
| FRAME | MATTS 6. SPEED, material: aluminium, 26x2.25" max. wheelsize, 135x9mm axle standard, BSA bottom bracket standard |
| FRAME SIZE | XS, S, M |
| FORK | Suntour XCE, Coil, 100mm suspension travel, 26x2.1" max. wheelsize |
| BRAKES | Promax MTV-117A |
| HEADSET | FSA NO.10P Neck15 |
| HANDLEBAR | MERIDA CC, material: steel, 620mm width, 30mm rise |
| HANDLEBAR STEM | MERIDA CC, material: aluminium, 25.4mm diameter, 15° stem angle, 80 mm-XS/S, 90 mm-M |
| GRIP | MERIDA EC |
| DERAILLEUR (F) | Shimano FD-TY300 |
| DERAILLEUR (R) | Shimano RD-M310 |
| SHIFTERS | Shimano ST-EF500 |
| SEAT POST | MERIDA CC, material: aluminium, 27.2mm diameter, 15mm setback |
| SEAT CLAMP | MERIDA COMP QR |
| SADDLE | MERIDA Sport comfort |
| PEDAL | VP VPE-891 |
| CHAIN | KMC NS8 |

| | |
|-----------------------|------------------------------------------------------|
| CHAINWHEEL | Shimano TY301, 42-34-24 teeth, 170 mm-XS/S, 175 mm-M |
| FREEWHEEL | Shimano MF-TZ500, 14-28 teeth, 7 speed |
| BOTTOM BRACKET | FSA TH-7420ST-W, Cartridge Bearing |
| RIM | MERIDA CC, 17mm inner width, material: aluminium |
| HUBS | Joytech JY-751DSE / Joytech JY-752DSE |
| SPOKES | Steel UCP |
| TIRES | MERIDA K1047 |



MATTS

GEOMETRIES



MATTS 7. SPEED II

| FS Frame Size | XS | S | M | L |
|------------------------------------|-------|-------|-------|-------|
| TS Tire Size | 27.5" | 27.5" | 27.5" | 27.5" |
| ST seat tube [mm] | 343 | 381 | 432 | 470 |
| TT top tube [mm] | 536 | 546 | 561 | 571 |
| CS chain stay length [mm] | 430 | 430 | 430 | 430 |
| HTA head tube angle [°] | 69.5 | 69.5 | 70 | 70 |
| STA seat tube angle [°] | 74.5 | 74.5 | 74.5 | 74.5 |
| BD bottom bracket drop [mm] | 65 | 65 | 65 | 65 |
| HT head tube [mm] | 95 | 100 | 110 | 120 |
| FL fork length [mm] | 493 | 493 | 493 | 493 |
| R reach [mm] | 372 | 380 | 392 | 399 |
| S stack [mm] | 602 | 607 | 618 | 628 |
| WB wheel base [mm] | 1039 | 1050 | 1060 | 1071 |
| SH stand over height [mm] | 582 | 612 | 664 | 694 |

MATTS 6. SPEED

| FS Frame Size | XS | S | M |
|------------------------------------|------|------|------|
| TS Tire Size | 26" | 26" | 26" |
| ST seat tube [mm] | 343 | 381 | 432 |
| TT top tube [mm] | 540 | 550 | 560 |
| CS chain stay length [mm] | 425 | 425 | 425 |
| HTA head tube angle [°] | 69.5 | 69.5 | 70 |
| STA seat tube angle [°] | 73.5 | 73.5 | 73 |
| BD bottom bracket drop [mm] | 55 | 55 | 55 |
| HT head tube [mm] | 115 | 125 | 135 |
| FL fork length [mm] | 475 | 475 | 475 |
| R reach [mm] | 364 | 371 | 372 |
| S stack [mm] | 594 | 604 | 615 |
| WB wheel base [mm] | 1028 | 1038 | 1038 |
| SH stand over height [mm] | 589 | 621 | 674 |

FRAME INTERFACES

| | 7. SPEED II | 6. SPEED |
|-------------------------------|---------------------|----------|
| MAX. WHEELSIZE | 27.5x2.25" | 26x2.25" |
| HEAD TUBE | | |
| 1 1/8" & 1 1/8" | • | • |
| HEADSET | | |
| SEMI-INTEGRATED (44-44 mm) | • | • |
| BRAKE STANDARD | | |
| DISC BRAKE ON SEAT STAY | • | • |
| RIM BRAKE V-BRAKE | • | • |
| INTERNATIONAL STANDARD (REAR) | • | • |
| BB-STANDARD | | |
| BSA 68 mm | • | • |
| SEATPOST DIAMETER | | |
| 27.2 mm | • | • |
| REAR DROPOUT-STANDARD | | |
| QUICK RELEASE 9x135 mm | • | • |
| EQUIPMENT OPTIONS | | |
| HEBIE 40 mm | • | • |
| CARRIER MOUNT FRAME | • | • |
| FENDER MOUNT FRAME | •** | • |
| FD-STANDARD | | |
| CLAMP (DIAMETER: 31.8 mm) | • | • |
| DUAL PULL | • | • |
| SIDESWING | • | |
| FRAME WEIGHT* | 1550g size M +/- 3% | |
| RD HANGER | DH-013F | |

* Frame weight only! Without axle, frame protectors, saddle clamp, hanger, steerer cups and cable guides (weight is also depending on the frame color)
** except size XS & S





THE FUTURE IS HERE

YOUTH & KIDS

Last year saw the introduction of the MATTS J.+ range, which combined the impressive grip and comfort of 2.4" tyres with a new weight and geometry optimised aluminium frame platform. For the 2021 season, we have extended the usage of our new frame concept into the wider MATTS J. program, adding 24" and 20" hardtails that come equipped with extra soft steel springs for weight-optimised suspension performance. Our broader offering allows our aspiring riders to benefit from the improved geometry, lasting quality and reduced weight. For the slightly more 'grown-up' racers of tomorrow, we have the 26" wheeled MATTS J. CHAMPION at the ready and for the youngest cyclists out there we have the perfect stepping stone in the MATTS J. 16, which stands on 16" wheels and come with removable stabilisers as standard. Whatever your age, your level of ability and your size, we have the perfect 1st MERIDA ready for you. See you on the start line!

MATTS J

FOR THE HEROES OF TOMORROW

For their first bike adventures: Our performance bikes for kids, with componentry carefully tailored to their needs. The range covers first training bikes (including training wheels) via 'plus' size 24" wheeled mountain bikes all the way to the 26" equipped MATTS J. CHAMPION for the more 'grown-up' youth rider out there. Whatever you choose – the adventure for the entire family starts here.



5

SIMPLICITY AND LIGHTWEIGHT

Many of our bikes feature rigid forks. This helps to keep the weight down, which is a big advantage for much lighter riders. Gears are also kept to a minimum, avoiding confusion for young riders, as well as reducing weight.

1

STYLISH, LEIGHT AND PERFECT FIT

Last year saw the introduction of the new MATTS J.+ frame and concept. While being only used in the rigid MATTS J.+ bikes in 2020, the lightweight, high-quality frame with youth optimised geometry is now available in a variety of rigid and front suspension options, as well as 20" and 24" wheel size. Ideal to find your first MERIDA bike.

2

LET'S GO PLUS

Our MATTS J.+ bikes feature not just the well-proven weight and geometry optimised frame but are also designed around a lightweight, rigid fork combined with 20" or 24" 'plus' tyres for extra grip and comfort. The result, no unnecessary weight, simple, stylish and hugely effective.

3

KIDS NEED KIDS CONTROLS

The specific demands on childrens' components make them differ a lot from adult components. Not only that kids are smaller, but also do not have the same strength in their hands, for example, when it comes to braking. That's why we have chosen specific components to ensure that our youngest cyclists are able to use their bikes safely and comfortably and make them easy to handle in any situation.


4

JUST LIKE THE GROWN-UPS

All kids' bike frames are made with the same 6061 lightweight aluminium we use in our adult bikes; we don't cut any corners. They're also painted and lacquered in the same way, so the bikes can still look great even after a few tough knocks.

MATTS J. CHAMPION

MATT TEAL (TEAL/LIME)

 Double butted and technoformed aluminium frame with more relaxed geometry for 26" or 650B wheels. Comes equipped with class leading, premium technologies such as smooth welding, tapered head tube, inboard disc mounts, internal routing of all gear and brake cables as well as F, C and K-mounts.

| LEARNING | LEISURE | TRACKS | TRAIL |




| | |
|-----------------------|-----------------------------------------------------------------------------------------------------------------|
| FRAME | MATTS J. 26, material: aluminium, 27.5x2.25" max. wheelsize, 135x9mm axle standard, BSA bottom bracket standard |
| FRAME SIZE | XS |
| FORK | Suntour XCR32 LOR, Air, 100mm suspension travel, Lockout, 42mm fork offset, 27.5x2.25" max. wheelsize |
| BRAKES | Tektro HD-M275 |
| ROTORS | Shimano RT10 |
| HEADSET | MERIDA M2345 |
| HANDLEBAR | MERIDA CC, material: aluminium, 640mm width, 15mm rise |
| HANDLEBAR STEM | MERIDA CC, material: aluminium, 31.8mm diameter, 6° stem angle, 60 mm |
| GRIP | MERIDA EXPERT JR |
| DERAILLEUR (R) | Shimano Deore M5120 Shadow+ |
| SHIFTERS | Shimano Deore M4100 |
| SEAT POST | MERIDA CC, material: aluminium, 30.9mm diameter, 15mm setback |
| SEAT CLAMP | MERIDA COMP QR |
| SADDLE | MERIDA EXPERT JR |
| PEDAL | VP VPE-891 |
| CHAIN | KMC X10 |

| | |
|-----------------------|--------------------------------------------------|
| CHAINWHEEL | Shimano Deore M5100, 30 teeth, 170 mm-XS |
| FREEWHEEL | Shimano Deore M4100, 11-46 teeth, 10 speed |
| BOTTOM BRACKET | FSA TH-7420ST-W, Cartridge Bearing |
| RIM | MERIDA CC, 17mm inner width, material: aluminium |
| HUBS | Shimano TX505 |
| SPOKES | Black steel |
| TIRES | MERIDA K1227 |



MATTS J. CHAMPION

SILK GREEN (GREEN/RED)

 Double butted and technoformed aluminium frame with more relaxed geometry for 26" or 650B wheels. Comes equipped with class leading, premium technologies such as smooth welding, tapered head tube, inboard disc mounts, internal routing of all gear and brake cables as well as F, C and K-mounts.

| LEARNING | LEISURE | TRACKS | TRAIL |




| | |
|-----------------------|-----------------------------------------------------------------------------------------------------------------|
| FRAME | MATTS J. 26, material: aluminium, 27.5x2.25" max. wheelsize, 135x9mm axle standard, BSA bottom bracket standard |
| FRAME SIZE | XS |
| FORK | Suntour XCR32 LOR, Air, 100mm suspension travel, Lockout, 42mm fork offset, 27.5x2.25" max. wheelsize |
| BRAKES | Tektro HD-M275 |
| ROTORS | Shimano RT10 |
| HEADSET | MERIDA M2345 |
| HANDLEBAR | MERIDA CC, material: aluminium, 640mm width, 15mm rise |
| HANDLEBAR STEM | MERIDA CC, material: aluminium, 31.8mm diameter, 6° stem angle, 60 mm |
| GRIP | MERIDA EXPERT JR |
| DERAILLEUR (R) | Shimano Deore M5120 Shadow+ |
| SHIFTERS | Shimano Deore M4100 |
| SEAT POST | MERIDA CC, material: aluminium, 30.9mm diameter, 15mm setback |
| SEAT CLAMP | MERIDA COMP QR |
| SADDLE | MERIDA EXPERT JR |
| PEDAL | VP VPE-891 |
| CHAIN | KMC X10 |

| | |
|-----------------------|--------------------------------------------------|
| CHAINWHEEL | Shimano Deore M5100, 30 teeth, 170 mm-XS |
| FREEWHEEL | Shimano Deore M4100, 11-46 teeth, 10 speed |
| BOTTOM BRACKET | FSA TH-7420ST-W, Cartridge Bearing |
| RIM | MERIDA CC, 17mm inner width, material: aluminium |
| HUBS | Shimano TX505 |
| SPOKES | Black steel |
| TIRES | MERIDA K1227 |



MATTS J. 24+

MATT COOL GREY (GREEN/YELLOW)

 Weight and geometry optimised aluminium frame with replaceable dropout hanger, that can take standard and plus size 24" tyres. Low stand over height and low bottom bracket for improved handling. Equipped with mounts for bottle cages, rack, mudguards and kickstand

| LEARNING | LEISURE | TRACKS | TRAIL |




| | |
|-----------------------|---------------------------------------------------------------------------------------------------------------------|
| FRAME | MATTS J. 24+, material: aluminium, 24x2.4" max. wheelsize, 135x9/100x9mm axle standard, BSA bottom bracket standard |
| FRAME SIZE | 11.5" |
| FORK | MERIDA MATTS J. 24+, material: aluminium, 24x2.4" max. wheelsize |
| BRAKES | Tektro HD-M275 |
| ROTORS | Tektro |
| HEADSET | VP Z104AE |
| HANDLEBAR | MERIDA EXPERT JR, material: aluminium, 620mm width, 0mm rise |
| HANDLEBAR STEM | MERIDA EXPERT CC, material: aluminium, 31.8mm diameter, -5° stem angle, 60 mm |
| GRIP | MERIDA EXPERT JR |
| DERAILLEUR (R) | Shimano RD-M310 |
| SHIFTERS | Altus |
| SEAT POST | MERIDA CC, material: aluminium, 27.2mm diameter, 15mm setback |
| SEAT CLAMP | MERIDA COMP QR |
| SADDLE | MERIDA EXPERT JR |
| PEDAL | Marwi SP-202 |
| CHAIN | Sunrace M84 |

| | |
|-----------------------|--------------------------------------|
| CHAINWHEEL | MERIDA EXPERT JR, 28 teeth, 140 mm |
| FREEWHEEL | Sunrace CSM668, 11-34 teeth, 8 speed |
| BOTTOM BRACKET | Bearing cartridge |
| RIM | MERIDA JR 24+, material: aluminium |
| HUBS | Joytech D761DSE / Joytech D762TSE |
| SPOKES | Black steel |
| TIRES | CST Jet C1820 |
| KICKSTAND | center type alloy |



MATTS J. 24+

YELLOW (BLACK)

 Weight and geometry optimised aluminium frame with replaceable dropout hanger, that can take standard and plus size 24" tyres. Low stand over height and low bottom bracket for improved handling. Equipped with mounts for bottle cages, rack, mudguards and kickstand

| LEARNING | LEISURE | TRACKS | TRAIL |



| | |
|-----------------------|---------------------------------------------------------------------------------------------------------------------|
| FRAME | MATTS J. 24+, material: aluminium, 24x2.4" max. wheelsize, 135x9/100x9mm axle standard, BSA bottom bracket standard |
| FRAME SIZE | 11.5" |
| FORK | MERIDA MATTS J. 24+, material: aluminium, 24x2.4" max. wheelsize |
| BRAKES | Tektro HD-M275 |
| ROTORS | Tektro |
| HEADSET | VP Z104AE |
| HANDLEBAR | MERIDA EXPERT JR, material: aluminium, 620mm width, 0mm rise |
| HANDLEBAR STEM | MERIDA EXPERT CC, material: aluminium, 31.8mm diameter, -5° stem angle, 60 mm |
| GRIP | MERIDA EXPERT JR |
| DERAILLEUR (R) | Shimano RD-M310 |
| SHIFTERS | Altus |
| SEAT POST | MERIDA CC, material: aluminium, 27.2mm diameter, 15mm setback |
| SEAT CLAMP | MERIDA COMP QR |
| SADDLE | MERIDA EXPERT JR |
| PEDAL | Marwi SP-202 |
| CHAIN | Sunrace M84 |

| | |
|-----------------------|--------------------------------------|
| CHAINWHEEL | MERIDA EXPERT JR, 28 teeth, 140 mm |
| FREEWHEEL | Sunrace CSM668, 11-34 teeth, 8 speed |
| BOTTOM BRACKET | Bearing cartridge |
| RIM | MERIDA JR 24+, material: aluminium |
| HUBS | Joytech D761DSE / Joytech D762TSE |
| SPOKES | Black steel |
| TIRES | CST Jet C1820 |
| KICKSTAND | center type alloy |



MATTS J. 24+

DARK PURPLE (PALE PINK/TEAL)

 Weight and geometry optimised aluminium frame with replaceable dropout hanger, that can take standard and plus size 24" tyres. Low stand over height and low bottom bracket for improved handling. Equipped with mounts for bottle cages, rack, mudguards and kickstand

| LEARNING | LEISURE | TRACKS | TRAIL |



| | |
|-----------------------|---------------------------------------------------------------------------------------------------------------------|
| FRAME | MATTS J. 24+, material: aluminium, 24x2.4" max. wheelsize, 135x9/100x9mm axle standard, BSA bottom bracket standard |
| FRAME SIZE | 11.5" |
| FORK | MERIDA MATTS J. 24+, material: aluminium, 24x2.4" max. wheelsize |
| BRAKES | Tektro HD-M275 |
| ROTORS | Tektro |
| HEADSET | VP Z104AE |
| HANDLEBAR | MERIDA EXPERT JR, material: aluminium, 620mm width, 0mm rise |
| HANDLEBAR STEM | MERIDA EXPERT CC, material: aluminium, 31.8mm diameter, -5° stem angle, 60 mm |
| GRIP | MERIDA EXPERT JR |
| DERAILLEUR (R) | Shimano RD-M310 |
| SHIFTERS | Altus |
| SEAT POST | MERIDA CC, material: aluminium, 27.2mm diameter, 15mm setback |
| SEAT CLAMP | MERIDA COMP QR |
| SADDLE | MERIDA EXPERT JR |
| PEDAL | Marwi SP-202 |
| CHAIN | Sunrace M84 |

| | |
|-----------------------|--------------------------------------|
| CHAINWHEEL | MERIDA EXPERT JR, 28 teeth, 140 mm |
| FREEWHEEL | Sunrace CSM668, 11-34 teeth, 8 speed |
| BOTTOM BRACKET | Bearing cartridge |
| RIM | MERIDA JR 24+, material: aluminium |
| HUBS | Joytech D761DSE / Joytech D762TSE |
| SPOKES | Black steel |
| TIRES | CST Jet C1820 |
| KICKSTAND | center type alloy |



MATTS J. 24

MATT COOL GREY (GREEN/YELLOW)

 Weight and geometry optimised aluminium frame with replaceable dropout hanger, that can take standard and plus size 24" tyres. Low stand over height and low bottom bracket for improved handling. Equipped with mounts for bottle cages, rack, mudguards and kickstand

| LEARNING | LEISURE | TRACKS | TRAIL |



| | |
|-----------------------|---------------------------------------------------------------------------------------------------------------------|
| FRAME | MATTS J. 24+, material: aluminium, 24x2.4" max. wheelsize, 135x9/100x9mm axle standard, BSA bottom bracket standard |
| FRAME SIZE | 11.5" |
| FORK | Suntour XCT-JR DS, Custom coil, 50mm suspension travel, 24x2.1" max. wheelsize |
| BRAKES | Tektro HD-M275 |
| ROTORS | Tektro |
| HEADSET | VP Z104AE |
| HANDLEBAR | MERIDA EXPERT JR, material: aluminium, 620mm width, 0mm rise |
| HANDLEBAR STEM | MERIDA EXPERT CC, material: aluminium, 31.8mm diameter, -5° stem angle, 60 mm |
| GRIP | MERIDA EXPERT JR |
| DERAILLEUR (R) | Shimano RD-M310 |
| SHIFTERS | Altus |
| SEAT POST | MERIDA CC, material: aluminium, 27.2mm diameter, 15mm setback |
| SEAT CLAMP | MERIDA COMP QR |
| SADDLE | MERIDA EXPERT JR |
| PEDAL | Marwi SP-202 |
| CHAIN | Sunrace M84 |

| | |
|-----------------------|--------------------------------------|
| CHAINWHEEL | MERIDA EXPERT JR, 28 teeth, 140 mm |
| FREEWHEEL | Sunrace CSM668, 11-34 teeth, 8 speed |
| BOTTOM BRACKET | Bearing cartridge |
| RIM | MERIDA JR 24+, material: aluminium |
| HUBS | Joytech D761DSE / Joytech D762TSE |
| SPOKES | Black steel |
| TIRES | Kenda Small Block 8 |
| KICKSTAND | center type alloy |



MATTS J. 24

YELLOW (BLACK)

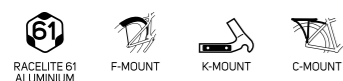
 Weight and geometry optimised aluminium frame with replaceable dropout hanger, that can take standard and plus size 24" tyres. Low stand over height and low bottom bracket for improved handling. Equipped with mounts for bottle cages, rack, mudguards and kickstand

| LEARNING | LEISURE | TRACKS | TRAIL |



| | |
|-----------------------|---------------------------------------------------------------------------------------------------------------------|
| FRAME | MATTS J. 24+, material: aluminium, 24x2.4" max. wheelsize, 135x9/100x9mm axle standard, BSA bottom bracket standard |
| FRAME SIZE | 11.5" |
| FORK | Suntour XCT-JR DS, Custom coil, 50mm suspension travel, 24x2.1" max. wheelsize |
| BRAKES | Tektro HD-M275 |
| ROTORS | Tektro |
| HEADSET | VP Z104AE |
| HANDLEBAR | MERIDA EXPERT JR, material: aluminium, 620mm width, 0mm rise |
| HANDLEBAR STEM | MERIDA EXPERT CC, material: aluminium, 31.8mm diameter, -5° stem angle, 60 mm |
| GRIP | MERIDA EXPERT JR |
| DERAILLEUR (R) | Shimano RD-M310 |
| SHIFTERS | Altus |
| SEAT POST | MERIDA CC, material: aluminium, 27.2mm diameter, 15mm setback |
| SEAT CLAMP | MERIDA COMP QR |
| SADDLE | MERIDA EXPERT JR |
| PEDAL | Marwi SP-202 |
| CHAIN | Sunrace M84 |

| | |
|----------------------|--------------------------------------|
| CHAINWHEEL | MERIDA EXPERT JR, 28 teeth, 140 mm |
| FREEWHEEL | Sunrace CSM668, 11-34 teeth, 8 speed |
| BOTTOM BRAKET | Bearing cartridge |
| RIM | MERIDA JR 24+, material: aluminium |
| HUBS | Joytech D761DSE / Joytech D762TSE |
| SPOKES | Black steel |
| TIRES | Kenda Small Block 8 |
| KICKSTAND | center type alloy |



MATTS J. 24

DARK PURPLE (PALE PINK/TEAL)

 Weight and geometry optimised aluminium frame with replaceable dropout hanger, that can take standard and plus size 24" tyres. Low stand over height and low bottom bracket for improved handling. Equipped with mounts for bottle cages, rack, mudguards and kickstand

| LEARNING | LEISURE | TRACKS | TRAIL |



| | |
|-----------------------|---------------------------------------------------------------------------------------------------------------------|
| FRAME | MATTS J. 24+, material: aluminium, 24x2.4" max. wheelsize, 135x9/100x9mm axle standard, BSA bottom bracket standard |
| FRAME SIZE | 11.5" |
| FORK | Suntour XCT-JR DS, Custom coil, 50mm suspension travel, 24x2.1" max. wheelsize |
| BRAKES | Tektro HD-M275 |
| ROTORS | Tektro |
| HEADSET | VP Z104AE |
| HANDLEBAR | MERIDA EXPERT JR, material: aluminium, 620mm width, 0mm rise |
| HANDLEBAR STEM | MERIDA EXPERT CC, material: aluminium, 31.8mm diameter, -5° stem angle, 60 mm |
| GRIP | MERIDA EXPERT JR |
| DERAILLEUR (R) | Shimano RD-M310 |
| SHIFTERS | Altus |
| SEAT POST | MERIDA CC, material: aluminium, 27.2mm diameter, 15mm setback |
| SEAT CLAMP | MERIDA COMP QR |
| SADDLE | MERIDA EXPERT JR |
| PEDAL | Marwi SP-202 |
| CHAIN | Sunrace M84 |

| | |
|----------------------|--------------------------------------|
| CHAINWHEEL | MERIDA EXPERT JR, 28 teeth, 140 mm |
| FREEWHEEL | Sunrace CSM668, 11-34 teeth, 8 speed |
| BOTTOM BRAKET | Bearing cartridge |
| RIM | MERIDA JR 24+, material: aluminium |
| HUBS | Joytech D761DSE / Joytech D762TSE |
| SPOKES | Black steel |
| TIRES | Kenda Small Block 8 |
| KICKSTAND | center type alloy |



MATTS J. 20+

BLUE (DARK BLUE/WHITE)

 Weight and geometry optimised aluminium frame with replaceable dropout hanger, that can take standard and plus size 20" tyres. Low stand over height and low bottom bracket for improved handling. Equipped with mounts for bottle cages rack, mudguards and kickstand.

| LEARNING | LEISURE | TRACKS | TRAIL |




| | |
|-----------------------|---------------------------------------------------------------------------------------------------------------------|
| FRAME | MATTS J. 20+, material: aluminium, 20x2.4" max. wheelsize, 135x9/100x9mm axle standard, BSA bottom bracket standard |
| FRAME SIZE | 10" |
| FORK | MERIDA MATTS J. 20+, material: aluminium, 20x2.4" max. wheelsize |
| BRAKES | Tektro HD-M275 |
| ROTOR | Tektro |
| HEADSET | FSA TH888 |
| HANDLEBAR | MERIDA EXPERT JR, material: aluminium, 620mm width, 0mm rise |
| HANDLEBAR STEM | MERIDA EXPERT CC, material: aluminium, 31.8mm diameter, -5° stem angle, 60 mm |
| GRIP | MERIDA EXPERT JR |
| DERAILLEUR (R) | Shimano RD-M310 |
| SHIFTERS | Altus |
| SEAT POST | MERIDA CC, material: aluminium, 27.2mm diameter, 15mm setback |
| SEAT CLAMP | MERIDA COMP QR |
| SADDLE | MERIDA COMP JR |
| PEDAL | Marwi SP-202 |
| CHAIN | KMC NS8 |

| | |
|-----------------------|----------------------------------------|
| CHAINWHEEL | MERIDA EXPERT JR, 28 teeth, 127 mm |
| FREEWHEEL | Shimano MF-TZ500, 14-34 teeth, 7 speed |
| BOTTOM BRACKET | Bearing cartridge |
| RIM | MERIDA JR 20+, material: aluminium |
| HUBS | Joytech D041DSE / Joytech D242TSE |
| SPOKES | Black steel |
| TIRES | CST Jet C1820 |
| KICKSTAND | center type alloy |



MATTS J. 20+

METALLIC ORANGE (BLUE)

 Weight and geometry optimised aluminium frame with replaceable dropout hanger, that can take standard and plus size 20" tyres. Low stand over height and low bottom bracket for improved handling. Equipped with mounts for bottle cages rack, mudguards and kickstand.

| LEARNING | LEISURE | TRACKS | TRAIL |




| | |
|-----------------------|---------------------------------------------------------------------------------------------------------------------|
| FRAME | MATTS J. 20+, material: aluminium, 20x2.4" max. wheelsize, 135x9/100x9mm axle standard, BSA bottom bracket standard |
| FRAME SIZE | 10" |
| FORK | MERIDA MATTS J. 20+, material: aluminium, 20x2.4" max. wheelsize |
| BRAKES | Tektro HD-M275 |
| ROTOR | Tektro |
| HEADSET | FSA TH888 |
| HANDLEBAR | MERIDA EXPERT JR, material: aluminium, 620mm width, 0mm rise |
| HANDLEBAR STEM | MERIDA EXPERT CC, material: aluminium, 31.8mm diameter, -5° stem angle, 60 mm |
| GRIP | MERIDA EXPERT JR |
| DERAILLEUR (R) | Shimano RD-M310 |
| SHIFTERS | Altus |
| SEAT POST | MERIDA CC, material: aluminium, 27.2mm diameter, 15mm setback |
| SEAT CLAMP | MERIDA COMP QR |
| SADDLE | MERIDA COMP JR |
| PEDAL | Marwi SP-202 |
| CHAIN | KMC NS8 |

| | |
|-----------------------|----------------------------------------|
| CHAINWHEEL | MERIDA EXPERT JR, 28 teeth, 127 mm |
| FREEWHEEL | Shimano MF-TZ500, 14-34 teeth, 7 speed |
| BOTTOM BRACKET | Bearing cartridge |
| RIM | MERIDA JR 20+, material: aluminium |
| HUBS | Joytech D041DSE / Joytech D242TSE |
| SPOKES | Black steel |
| TIRES | CST Jet C1820 |
| KICKSTAND | center type alloy |



MATTS J. 20+

MATT LIGHT SAND (BERRY)

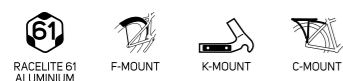
 Weight and geometry optimised aluminium frame with replaceable dropout hanger, that can take standard and plus size 20" tyres. Low stand over height and low bottom bracket for improved handling. Equipped with mounts for bottle cages rack, mudguards and kickstand.

| LEARNING | LEISURE | TRACKS | TRAIL |




| | |
|-----------------------|---------------------------------------------------------------------------------------------------------------------|
| FRAME | MATTS J. 20+, material: aluminium, 20x2.4" max. wheelsize, 135x9/100x9mm axle standard, BSA bottom bracket standard |
| FRAME SIZE | 10" |
| FORK | MERIDA MATTS J. 20+, material: aluminium, 20x2.4" max. wheelsize |
| BRAKES | Tektro HD-M275 |
| ROTORS | Tektro |
| HEADSET | FSA TH888 |
| HANDLEBAR | MERIDA EXPERT JR, material: aluminium, 620mm width, 0mm rise |
| HANDLEBAR STEM | MERIDA EXPERT CC, material: aluminium, 31.8mm diameter, -5° stem angle, 60 mm |
| GRIP | MERIDA EXPERT JR |
| DERAILLEUR (R) | Shimano RD-M310 |
| SHIFTERS | Altus |
| SEAT POST | MERIDA CC, material: aluminium, 27.2mm diameter, 15mm setback |
| SEAT CLAMP | MERIDA COMP QR |
| SADDLE | MERIDA COMP JR |
| PEDAL | Marwi SP-202 |
| CHAIN | KMC NS8 |

| | |
|-----------------------|----------------------------------------|
| CHAINWHEEL | MERIDA EXPERT JR, 28 teeth, 127 mm |
| FREEWHEEL | Shimano MF-TZ500, 14-34 teeth, 7 speed |
| BOTTOM BRACKET | Bearing cartridge |
| RIM | MERIDA JR 20+, material: aluminium |
| HUBS | Joytech D041DSE / Joytech D242TSE |
| SPOKES | Black steel |
| TIRES | CST Jet C1820 |
| KICKSTAND | center type alloy |



MATTS J. 20

BLUE (DARK BLUE/WHITE)

 Weight and geometry optimised aluminium frame with replaceable dropout hanger, that can take standard and plus size 20" tyres. Low stand over height and low bottom bracket for improved handling. Equipped with mounts for bottle cages rack, mudguards and kickstand.

| LEARNING | LEISURE | TRACKS | TRAIL |



| | |
|-----------------------|---------------------------------------------------------------------------------------------------------------------|
| FRAME | MATTS J. 20+, material: aluminium, 20x2.4" max. wheelsize, 135x9/100x9mm axle standard, BSA bottom bracket standard |
| FRAME SIZE | 10" |
| FORK | Suntour XCT-JR P, Custom coil, 40mm suspension travel, 20x2.2" max. wheelsize |
| BRAKES | Tektro HD-M275 |
| ROTORS | Tektro |
| HEADSET | FSA TH888 |
| HANDLEBAR | MERIDA EXPERT JR, material: aluminium, 620mm width, 0mm rise |
| HANDLEBAR STEM | MERIDA EXPERT CC, material: aluminium, 31.8mm diameter, -5° stem angle, 60 mm |
| GRIP | MERIDA EXPERT JR |
| DERAILLEUR (R) | Shimano RD-M310 |
| SHIFTERS | Altus |
| SEAT POST | MERIDA CC, material: aluminium, 27.2mm diameter, 15mm setback |
| SEAT CLAMP | MERIDA COMP QR |
| SADDLE | MERIDA COMP JR |
| PEDAL | Marwi SP-202 |
| CHAIN | KMC NS8 |

| | |
|-----------------------|----------------------------------------|
| CHAINWHEEL | MERIDA EXPERT JR, 28 teeth, 127 mm |
| FREEWHEEL | Shimano MF-TZ500, 14-34 teeth, 7 speed |
| BOTTOM BRACKET | Bearing cartridge |
| RIM | MERIDA JR 20+, material: aluminium |
| HUBS | Joytech D041DSE / Joytech D242TSE |
| SPOKES | Black steel |
| TIRES | Kenda Small Black 8 |
| KICKSTAND | center type alloy |



MATTS J. 20

METALLIC ORANGE (BLUE)

 Weight and geometry optimised aluminium frame with replaceable dropout hanger, that can take standard and plus size 20" tyres. Low stand over height and low bottom bracket for improved handling. Equipped with mounts for bottle cages rack, mudguards and kickstand.

| LEARNING | LEISURE | TRACKS | TRAIL |




| | |
|-----------------------|---------------------------------------------------------------------------------------------------------------------|
| FRAME | MATTS J. 20+, material: aluminium, 20x2.4" max. wheelsize, 135x9/100x9mm axle standard, BSA bottom bracket standard |
| FRAME SIZE | 10" |
| FORK | Suntour XCT-JR P, Custom coil, 40mm suspension travel, 20x2.2" max. wheelsize |
| BRAKES | Tektro HD-M275 |
| ROTORS | Tektro |
| HEADSET | FSA TH888 |
| HANDLEBAR | MERIDA EXPERT JR, material: aluminium, 620mm width, 0mm rise |
| HANDLEBAR STEM | MERIDA EXPERT CC, material: aluminium, 31.8mm diameter, -5° stem angle, 60 mm |
| GRIP | MERIDA EXPERT JR |
| DERAILLEUR (R) | Shimano RD-M310 |
| SHIFTERS | Altus |
| SEAT POST | MERIDA CC, material: aluminium, 27.2mm diameter, 15mm setback |
| SEAT CLAMP | MERIDA COMP QR |
| SADDLE | MERIDA COMP JR |
| PEDAL | Marwi SP-202 |
| CHAIN | KMC NS8 |

| | |
|-----------------------|----------------------------------------|
| CHAINWHEEL | MERIDA EXPERT JR, 28 teeth, 127 mm |
| FREEWHEEL | Shimano MF-TZ500, 14-34 teeth, 7 speed |
| BOTTOM BRACKET | Bearing cartridge |
| RIM | MERIDA JR 20+, material: aluminium |
| HUBS | Joytech D041DSE / Joytech D242TSE |
| SPOKES | Black steel |
| TIRES | Kenda Small Black 8 |
| KICKSTAND | center type alloy |



MATTS J. 20

MATT LIGHT SAND (BERRY)

 Weight and geometry optimised aluminium frame with replaceable dropout hanger, that can take standard and plus size 20" tyres. Low stand over height and low bottom bracket for improved handling. Equipped with mounts for bottle cages rack, mudguards and kickstand.

| LEARNING | LEISURE | TRACKS | TRAIL |



| | |
|-----------------------|---------------------------------------------------------------------------------------------------------------------|
| FRAME | MATTS J. 20+, material: aluminium, 20x2.4" max. wheelsize, 135x9/100x9mm axle standard, BSA bottom bracket standard |
| FRAME SIZE | 10" |
| FORK | Suntour XCT-JR P, Custom coil, 40mm suspension travel, 20x2.2" max. wheelsize |
| BRAKES | Tektro HD-M275 |
| ROTORS | Tektro |
| HEADSET | FSA TH888 |
| HANDLEBAR | MERIDA EXPERT JR, material: aluminium, 620mm width, 0mm rise |
| HANDLEBAR STEM | MERIDA EXPERT CC, material: aluminium, 31.8mm diameter, -5° stem angle, 60 mm |
| GRIP | MERIDA EXPERT JR |
| DERAILLEUR (R) | Shimano RD-M310 |
| SHIFTERS | Altus |
| SEAT POST | MERIDA CC, material: aluminium, 27.2mm diameter, 15mm setback |
| SEAT CLAMP | MERIDA COMP QR |
| SADDLE | MERIDA COMP JR |
| PEDAL | Marwi SP-202 |
| CHAIN | KMC NS8 |

| | |
|-----------------------|----------------------------------------|
| CHAINWHEEL | MERIDA EXPERT JR, 28 teeth, 127 mm |
| FREEWHEEL | Shimano MF-TZ500, 14-34 teeth, 7 speed |
| BOTTOM BRACKET | Bearing cartridge |
| RIM | MERIDA JR 20+, material: aluminium |
| HUBS | Joytech D041DSE / Joytech D242TSE |
| SPOKES | Black steel |
| TIRES | Kenda Small Black 8 |
| KICKSTAND | center type alloy |



MATTS J. 16

SILK TEAL (WARM RED)



Durable aluminium frame for 16" wheels, optimised for the use with training wheels.

| LEARNING | LEISURE | TRACKS | TRAIL |



| | |
|-----------------------|-----------------------------------------------------------------------------------------------------|
| FRAME | MATTS J. 16, material: aluminium, 16" wheelsize, 112x9/100x9 wheelsize, BMX bottom bracket standard |
| FRAME SIZE | 9" |
| FORK | MERIDA MATTS J. 16, material: steel |
| BRAKES | Tektro 985A caliper |
| HEADSET | FSA TH888 |
| HANDLEBAR | MERIDA JR, material: aluminium, 500mm width, 120mm rise |
| HANDLEBAR STEM | MERIDA JR, material: aluminium, 22.2mm diameter, 37 mm |
| GRIP | Kraton |
| SEAT POST | MERIDA JR, material: steel, 22.2mm diameter, 0mm setback |
| SEAT CLAMP | Alloy Allen |
| SADDLE | MERIDA kid mini |
| PEDAL | Wellgo LU-P17 |
| CHAIN | KMC S1 |
| CHAINWHEEL | ACE Single, 24 teeth, 81 mm |
| FREEWHEEL | KT, 16 teeth, 1 speed |
| BOTTOM BRACKET | Black steel, 9pcs |

| | |
|------------------|-----------------------------------|
| RIM | MERIDA JR 16, material: aluminium |
| HUBS | KT KT134 / KT KT305R coaster |
| SPOKES | Steel UCP |
| TIRES | Inova IA-2603 |
| KICKSTAND | Support side wheel |



MATTS J. 16

SILK NAVY BLUE (WARM RED)



Durable aluminium frame for 16" wheels, optimised for the use with training wheels.

| LEARNING | LEISURE | TRACKS | TRAIL |



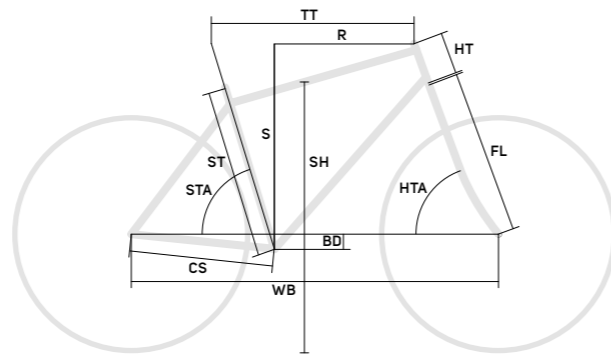
| | |
|-----------------------|-----------------------------------------------------------------------------------------------------|
| FRAME | MATTS J. 16, material: aluminium, 16" wheelsize, 112x9/100x9 wheelsize, BMX bottom bracket standard |
| FRAME SIZE | 9" |
| FORK | MERIDA MATTS J. 16, material: steel |
| BRAKES | Tektro 985A caliper |
| HEADSET | FSA TH888 |
| HANDLEBAR | MERIDA JR, material: aluminium, 500mm width, 120mm rise |
| HANDLEBAR STEM | MERIDA JR, material: aluminium, 22.2mm diameter, 37 mm |
| GRIP | Kraton |
| SEAT POST | MERIDA JR, material: steel, 22.2mm diameter, 0mm setback |
| SEAT CLAMP | Alloy Allen |
| SADDLE | MERIDA kid mini |
| PEDAL | Wellgo LU-P17 |
| CHAIN | KMC S1 |
| CHAINWHEEL | ACE Single, 24 teeth, 81 mm |
| FREEWHEEL | KT, 16 teeth, 1 speed |
| BOTTOM BRACKET | Black steel, 9pcs |

| | |
|------------------|-----------------------------------|
| RIM | MERIDA JR 16, material: aluminium |
| HUBS | KT KT134 / KT KT305R coaster |
| SPOKES | Steel UCP |
| TIRES | Inova IA-2603 |
| KICKSTAND | Support side wheel |



MATTS J

GEOMETRIES



| MATTS J. | 26 | 24+ | 20+ | 16 |
|------------------------------------|-----------|------------|------------|------------|
| FS Frame Size | XS | uni | uni | uni |
| TS Tire Size | 26" | 24" | 20" | 16" |
| ST seat tube [mm] | 343 | 275 | 240 | 235 |
| TT top tube [mm] | 555 | 500 | 445 | 400 |
| CS chain stay length [mm] | 430 | 410 | 360 | 340 |
| HTA head tube angle [°] | 70.5 | 68 | 68 | 70 |
| STA seat tube angle [°] | 73.3 | 72 | 72 | 72.5 |
| BD bottom bracket drop [mm] | 45 | 30 | 20 | 8 |
| HT head tube [mm] | 95 | 120 | 120 | 100 |
| FL fork length [mm] | 490 | 415 | 340 | 236 |
| R reach [mm] | 383 | 335 | 305 | 298 |
| S stack [mm] | 582 | 509 | 432 | 324 |
| WB wheel base [mm] | 1045 | 986 | 872 | 790 |
| SH stand over height [mm] | | 560 | 483 | 409 |



FRAME INTERFACES

| | MATTS J. 26 | MATTS J. 24+ | MATTS J. 20+ |
|------------------------------|------------------------------|---------------------|---------------------|
| MAX. WHEELSIZE | 27.5x2.25" | 24x2.4" | 20x2.4" |
| MAX. CHAINRING | 3x40/30/22 2x38/26 / 1x32 | | |
| HEAD TUBE | | | |
| 11/8" & 1 1/2" | • | | |
| 11/8" & 1 1/8" | | • | • |
| HEADSET | | | |
| SEMI-INTEGRATED (44-55 mm) | • | | |
| SEMI-INTEGRATED (44-44 mm) | | • | • |
| BRAKE STANDARD | | | |
| DISC BRAKE ON CHAIN STAY | • | | |
| DISC BRAKE ON SEAT STAY | | • | • |
| POST MOUNT 160 mm REAR BRAKE | • | | |
| IS MOUNT 160 mm REAR BRAKE | | • | • |
| BB-STANDARD | | | |
| BSA 68 mm | | • | • |
| BSA 73 mm | • | | |
| SEATPOST DIAMETER | | | |
| 27.2 mm | | • | • |
| 30.9 mm | • | | |
| REAR DROPOUT-STANDARD | | | |
| QUICK RELEASE 9x135 mm | • | • | • |
| EQUIPMENT OPTIONS | | | |
| HEBIE 40 mm | • | | |
| KICKSTAND (CENTER MOUNT) | | • | • |
| CARRIER MOUNT FRAME | • | • | • |
| FENDER MOUNT FRAME | • | • | • |
| FD-STANDARD | | 1x specific | 1x specific |
| CLAMP (DIAMETER: 34.9 mm) | • | | |
| DOWN PULL | • | | |
| SIDESWING | • | | |
| FRAME WEIGHT* | 1800g size M +/- 3% | 1580g size M +/- 3% | 1430g size M +/- 3% |
| RD HANGER | DH-013F | DH-013F | DH-013F |

* Frame weight only! Without axle, frame protectors, saddle clamp, hanger, steerer cups and cable guides (weight is also depending on the frame color)



THE THRILL OF SPEED

ROAD FITNESS GRAVEL

The thrill of the open road is nothing new, and there are once again many different bike options to get you there. Pure speed is delivered by the latest version of our award and test-winning aero bike, the REACTO. Lightweight, comfort and classic good looks are catered for by our SCULTURA. Should comfort and versatility be at the top of your priority list, then the new SCULTURA ENDURANCE might be the perfect machine. If you like to keep your options open to explore away from the paved roads, then there is the extended range of our SILEX all-road bikes as well as our MISSION CX cyclo crosser. And if you prefer the control and comfort of a more upright riding position, but you are addicted to the fast and smooth delivery of low tread 700c wheels, then the SPEEDER will be your perfect commuting and fitness partner.

REACTO

A E R O D Y N A M I C S R E F I N E D

The king is dead, long live the king! According to this motto, our test and award-winning aero bike, the 'old' REACTO is history. However, fear not, we have not just abolished our aero machine but have completely redesigned it, allowing the new 2021 REACTO to take its place on the throne and to be once again one of the leading bikes in its class. Based on the DNA of the previous model, which was highly praised by the press for having 'very good aerodynamics', being 'comfortable for an aero bike' and offering 'stable riding characteristics', for what is adding up to a super impressive 1.5 score in the TOUR (3-2019) magazine test, we have designed our new REACTO. In its latest version, we have combined these class-leading characteristics and have combined them with the latest innovations and trends to take it once again to the front of the peloton. The REACTO is available in CF5 and CF3 level and both frame levels feature the same race-proven geometry.



1

EVEN SLICKER

With aerodynamic optimisation at the fork, seat stays and a cable integrated cockpit the new REACTO offers even better values than its already class-topping predecessor.

2

STREAMLINED COMFORT

Comfort has always been a key feature of the REACTO. Many aero bikes suffer from a harsh ride due to the larger tube sections and seat posts. Not so on the REACTO, where our profiled seat post behaves like a conventional seat post providing a significant level of comfort amongst other aero bikes.

5

CABLE INTEGRATED COCKPIT

Our high-performance carbon models with the CF5 frame feature a completely cable integrated Vision Metron 5D ACR carbon cockpit, improving aerodynamics and offering a super clean silhouette and cockpit area. The CF3 models with electronic shifting feature a two-piece aluminium cable integrated cockpit consisting of a Vision ACR SMR stem combined with a MERIDA EXPERT CW handlebar. All three cockpit options provide a very clean, organic and modern appearance.

6

BRAKING PERFORMANCE

To offer maximum control and braking performance, the new REACTO comes equipped with disc brakes throughout the range. We use flat mount disc brake standards in combination with our 'Disc Cooling' technology at the front and rear for the best braking performance. A flat mount rear caliper is mounted on the chainstay which is better for dissipating braking forces but also keeps it protected inside the rear triangle.

7

BOLT THROUGH AXLES

The 12 mm bolt through axles front and rear for greater wheel stiffness and precise disc alignment when replacing wheels. The custom axle lever is removable and has a 4 mm Allen key included, so, for example, stem and seat post clamps can be tightened and loosened.

3

DISC COOLING TECHNOLOGY

A forged aluminium part under the front and rear disc brake caliper draws heat away through CNC-milled cooling fins, giving 35% less heat build-up and faster temperature reduction at the more affordable brakes for a stable braking performance.

4

PRECISE STEERING

All REACTO models feature a full carbon fork with a tapered steerer to give precise, confidence-inspiring handling. The new REACTO frames have a slimmed down front profile and uses a 1 1/2" to 1 1/4" taper.

REACTO TEAM-E

GLOSSY BLACK/MATT BLACK

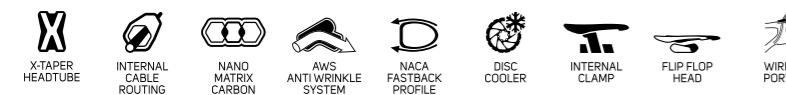
CF5 IV Superlite CF5 frame using the highest quality fibres for minimum weight (approx. 950 g – M). Aggressive pro geometry with 'NACA Fastback' profiled tubes and slimmed down tapered head tube (1 1/2" to 1 1/4" for superb aerodynamic efficiency and PF86 bottom bracket for exceptional power transfer. 12 mm bolt through axles with disc cooler technology.

LEISURE | TOUR | ENDURANCE | **RACE**



| | |
|-----------------------|-------------------------------------------------------------------------------------------------------------------------|
| FRAME | REACTO CF5 IV, material: carbon, 700x30C max. wheelsize, 100x12/ 142x12mm axle standard, BB86,5 bottom bracket standard |
| FRAME SIZE | XXS, XS, S, M, L, XL |
| FORK | REACTO CF5 IV DISC, material: carbon, 700x30C max. wheelsize |
| BRAKES | Shimano Dura Ace |
| ROTORS | Shimano RT900 |
| HEADSET | FSA ACR, SL18 |
| HANDLEBAR | Vision METRON 5D ACR INTEGRATED, material: carbon, 400mm (XXS-XS-S), 420mm (M-L-XL), |
| HANDLEBAR STEM | Vision METRON 5D ACR INTEGRATED, material: carbon, 100 mm-XXS/XS/S, 110 mm-M, 120 mm-L/XL |
| GRIP | One-Touch |
| DERAILLEUR (F) | Shimano Dura Ace Di2 |
| DERAILLEUR (R) | Shimano Dura Ace Di2, SS |
| SHIFTERS | Shimano Dura Ace disc Di2 |
| SEAT POST | MERIDA TEAM CW, Aero shape, 15mm setback, Carbon |
| SEAT CLAMP | MERIDA REACTO Aero |
| SADDLE | SCRATCH M5 |
| CHAIN | Shimano CN-HG901-11 |

| | |
|-----------------------|----------------------------------------------------------------------------------------------------------------------------------------------------------------------------------------------------|
| CHAINWHEEL | Shimano Dura Ace, Power Meter, 52-36 teeth, 165 mm-XSS, 170 mm-XS/S, 172.5 mm-M, 175 mm-L/XL |
| FREEWHEEL | Shimano CS-9100, 11-30 teeth, 11 speed |
| BOTTOM BRACKET | SM-BB92-41B, Presfit 86.5, Shimano Dura Ace Di2 |
| WHEELSET | METRON 55 Clincher TL Disc, 100x12mm width front hub, 142x12mm width rear hub, 18mm inner width, 48mm height, Centerlock, material: carbon, Tubeless ready (tubeless tape and valves not included) |
| AXLES | MERIDA EXPERT SL |
| SPOKES | attached |
| TIRES | Continental Grand Prix 5000 |
| LIGHTS | REACTO light seat post + Battery |



REACTO TEAM-E

BAHRAIN-MCLAREN TEAM

CF5 IV Superlite CF5 frame using the highest quality fibres for minimum weight (approx. 950 g – M). Aggressive pro geometry with 'NACA Fastback' profiled tubes and slimmed down tapered head tube (1 1/2" to 1 1/4" for superb aerodynamic efficiency and PF86 bottom bracket for exceptional power transfer. 12 mm bolt through axles with disc cooler technology.

LEISURE | TOUR | ENDURANCE | **RACE**



| | |
|-----------------------|-------------------------------------------------------------------------------------------------------------------------|
| FRAME | REACTO CF5 IV, material: carbon, 700x30C max. wheelsize, 100x12/ 142x12mm axle standard, BB86,5 bottom bracket standard |
| FRAME SIZE | XXS, XS, S, M, L, XL |
| FORK | REACTO CF5 IV DISC, material: carbon, 700x30C max. wheelsize |
| BRAKES | Shimano Dura Ace |
| ROTORS | Shimano RT900 |
| HEADSET | FSA ACR, SL18 |
| HANDLEBAR | Vision METRON 5D ACR INTEGRATED, material: carbon, 400mm (XXS-XS-S), 420mm (M-L-XL), |
| HANDLEBAR STEM | Vision METRON 5D ACR INTEGRATED, material: carbon, 100 mm-XXS/XS/S, 110 mm-M, 120 mm-L/XL |
| GRIP | One-Touch |
| DERAILLEUR (F) | Shimano Dura Ace Di2 |
| DERAILLEUR (R) | Shimano Dura Ace Di2, SS |
| SHIFTERS | Shimano Dura Ace disc Di2 |
| SEAT POST | MERIDA TEAM CW, Aero shape, 15mm setback, Carbon |
| SEAT CLAMP | MERIDA REACTO Aero |
| SADDLE | SCRATCH M5 |
| CHAIN | Shimano CN-HG901-11 |

| | |
|-----------------------|----------------------------------------------------------------------------------------------------------------------------------------------------------------------------------------------------|
| CHAINWHEEL | Shimano Dura Ace, Power Meter, 52-36 teeth, 165 mm-XSS, 170 mm-XS/S, 172.5 mm-M, 175 mm-L/XL |
| FREEWHEEL | Shimano CS-9100, 11-30 teeth, 11 speed |
| BOTTOM BRACKET | SM-BB92-41B, Presfit 86.5, Shimano Dura Ace Di2 |
| WHEELSET | METRON 55 Clincher TL Disc, 100x12mm width front hub, 142x12mm width rear hub, 18mm inner width, 48mm height, Centerlock, material: carbon, Tubeless ready (tubeless tape and valves not included) |
| AXLES | MERIDA EXPERT SL |
| SPOKES | attached |
| TIRES | Continental Grand Prix 5000 |
| LIGHTS | REACTO light seat post + Battery |



REACTO 9000-E

GLOSSY BLACK/MATT BLACK

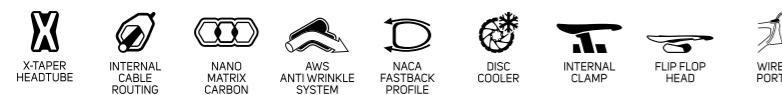
CF5 IV Superlite CF5 frame using the highest quality fibres for minimum weight (approx. 950 g – M). Aggressive pro geometry with 'NACA Fastback' profiled tubes and slimmed down tapered head tube (1 1/2" to 1 1/4" for superb aerodynamic efficiency and PF86 bottom bracket for exceptional power transfer. 12 mm bolt through axles with disc cooler technology.

| LEISURE | TOUR | ENDURANCE | **RACE** |



| | |
|-----------------------|-------------------------------------------------------------------------------------------------------------------------|
| FRAME | REACTO CF5 IV, material: carbon, 700x30C max. wheelsize, 100x12/ 142x12mm axle standard, BB86,5 bottom bracket standard |
| FRAME SIZE | XXS, XS, S, M, L, XL |
| FORK | REACTO CF5 IV DISC, material: carbon, 700x30C max. wheelsize |
| BRAKES | Sram ED Red eTAP AXS |
| ROTORS | Sram DB ROTOR CLX R CNTRLOCK |
| HEADSET | FSA ACR |
| HANDLEBAR | Vision METRON 5D ACR INTEGRATED, material: carbon, 400mm (XXS-XS-S), 420mm (M-L-XL), |
| HANDLEBAR STEM | Vision METRON 5D ACR INTEGRATED, material: carbon, 100 mm-XXS/XS/S, 110 mm-M, 120 mm-L/XL |
| GRIP | MERIDA ROAD EXPERT |
| DERAILLEUR (F) | Sram Red eTAP AXS |
| DERAILLEUR (R) | Sram Red eTAP AXS, SS |
| SHIFTERS | Sram Red eTAP AXS HRD |
| SEAT POST | MERIDA TEAM CW, Aero shape, 15mm setback, Carbon |
| SEAT CLAMP | MERIDA REACTO Aero |
| SADDLE | SCRATCH M5 |
| CHAIN | Sram Red chain |

| | |
|-----------------------|---------------------------------------------------------------------------------------------------------------------------------------------------------------------------------------------------|
| CHAINWHEEL | Sram Red eTap AXS, Power Meter, 50-37 teeth, 165 mm-XSS, 170 mm-XS/S, 172.5 mm-M, 175 mm-L/XL |
| FREEWHEEL | CS XG 1290 D1, 10-33 teeth, 12 speed |
| BOTTOM BRACKET | Sram Pressfit Dub, Presfit 86.5 |
| WHEELSET | DT Swiss ARC 1400 Dicut DB 50, 100x12mm width front hub, 142x12mm width rear hub, 18mm inner width, 48mm height, Centerlock, material: carbon, Tubeless ready (tubeless tape and valves included) |
| AXLES | MERIDA EXPERT SL |
| SPOKES | attached |
| TIRES | Continental Grand Prix 5000 |
| LIGHTS | REACTO light seat post + Battery |



REACTO 9000-E

RED(FADING)/BLACK

CF5 IV Superlite CF5 frame using the highest quality fibres for minimum weight (approx. 950 g – M). Aggressive pro geometry with 'NACA Fastback' profiled tubes and slimmed down tapered head tube (1 1/2" to 1 1/4" for superb aerodynamic efficiency and PF86 bottom bracket for exceptional power transfer. 12 mm bolt through axles with disc cooler technology.

| LEISURE | TOUR | ENDURANCE | **RACE** |



| | |
|-----------------------|-------------------------------------------------------------------------------------------------------------------------|
| FRAME | REACTO CF5 IV, material: carbon, 700x30C max. wheelsize, 100x12/ 142x12mm axle standard, BB86,5 bottom bracket standard |
| FRAME SIZE | XXS, XS, S, M, L, XL |
| FORK | REACTO CF5 IV DISC, material: carbon, 700x30C max. wheelsize |
| BRAKES | Sram ED Red eTAP AXS |
| ROTORS | Sram DB ROTOR CLX R CNTRLOCK |
| HEADSET | FSA ACR |
| HANDLEBAR | Vision METRON 5D ACR INTEGRATED, material: carbon, 400mm (XXS-XS-S), 420mm (M-L-XL), |
| HANDLEBAR STEM | Vision METRON 5D ACR INTEGRATED, material: carbon, 100 mm-XXS/XS/S, 110 mm-M, 120 mm-L/XL |
| GRIP | MERIDA ROAD EXPERT |
| DERAILLEUR (F) | Sram Red eTAP AXS |
| DERAILLEUR (R) | Sram Red eTAP AXS, SS |
| SHIFTERS | Sram Red eTAP AXS HRD |
| SEAT POST | MERIDA TEAM CW, Aero shape, 15mm setback, Carbon |
| SEAT CLAMP | MERIDA REACTO Aero |
| SADDLE | SCRATCH M5 |
| CHAIN | Sram Red chain |

| | |
|-----------------------|---------------------------------------------------------------------------------------------------------------------------------------------------------------------------------------------------|
| CHAINWHEEL | Sram Red eTap AXS, Power Meter, 50-37 teeth, 165 mm-XSS, 170 mm-XS/S, 172.5 mm-M, 175 mm-L/XL |
| FREEWHEEL | CS XG 1290 D1, 10-33 teeth, 12 speed |
| BOTTOM BRACKET | Sram Pressfit Dub, Presfit 86.5 |
| WHEELSET | DT Swiss ARC 1400 Dicut DB 50, 100x12mm width front hub, 142x12mm width rear hub, 18mm inner width, 48mm height, Centerlock, material: carbon, Tubeless ready (tubeless tape and valves included) |
| AXLES | MERIDA EXPERT SL |
| SPOKES | attached |
| TIRES | Continental Grand Prix 5000 |
| LIGHTS | REACTO light seat post + Battery |



REACTO 8000-E

GLOSSY BLACK/MATT BLACK

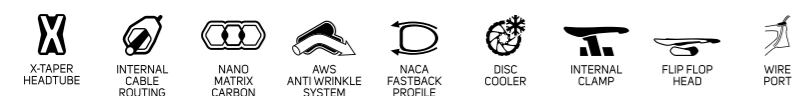
CF5 IV Superlite CF5 frame using the highest quality fibres for minimum weight (approx. 950 g – M). Aggressive pro geometry with 'NACA Fastback' profiled tubes and slimmed down tapered head tube (1 1/2" to 1 1/4" for superb aerodynamic efficiency and PF86 bottom bracket for exceptional power transfer. 12 mm bolt through axles with disc cooler technology.

| LEISURE | TOUR | ENDURANCE | **RACE** |



| | |
|-----------------------|-------------------------------------------------------------------------------------------------------------------------|
| FRAME | REACTO CF5 IV, material: carbon, 700x30C max. wheelsize, 100x12/ 142x12mm axle standard, BB86,5 bottom bracket standard |
| FRAME SIZE | XXS, XS, S, M, L, XL |
| FORK | REACTO CF5 IV DISC, material: carbon, 700x30C max. wheelsize |
| BRAKES | Shimano Ultegra |
| ROTORS | Shimano RT800 |
| HEADSET | FSA ACR |
| HANDLEBAR | Vision METRON 5D ACR INTEGRATED, material: carbon, 400mm (XXS-XS-S), 420mm (M-L-XL), |
| HANDLEBAR STEM | Vision METRON 5D ACR INTEGRATED, material: carbon, 100 mm-XXS/XS/S, 110 mm-M, 120 mm-L/XL |
| GRIP | MERIDA ROAD EXPERT |
| DERAILLEUR (F) | Shimano Ultegra Di2 |
| DERAILLEUR (R) | Shimano Ultegra Di2, GS |
| SHIFTERS | Shimano Ultegra disc Di2 |
| SEAT POST | MERIDA TAEM CW, Aero shape, 15mm setback, Carbon |
| SEAT CLAMP | MERIDA REACTO Aero |
| SADDLE | SCRATCH M5 |
| CHAIN | KMC X11EL |

| | |
|-----------------------|---------------------------------------------------------------------------------------------------------------------------------------------------------------------------------------|
| CHAINWHEEL | Shimano Ultegra, 52-36 teeth, 165 mm-XSS, 170 mm-XS/S, 172.5 mm-M, 175 mm-L/XL |
| FREEWHEEL | Shimano CS-R8000, 11-30 teeth, 11 speed |
| BOTTOM BRACKET | SM-BB72-41B, Pressfit 86.5 |
| WHEELSET | Reynolds AR 58 DB, 100x12mm width front hub, 142x12mm width rear hub, 21mm inner width, 41mm height, Centerlock, material: carbon, Tubeless ready (tubeless tape and valves included) |
| AXLES | MERIDA EXPERT SL |
| SPOKES | attached |
| TIRES | Continental Grand Sport Race |
| LIGHTS | REACTO light seat post + Battery |



REACTO 8000-E

BLACK/LIGHT BLUE

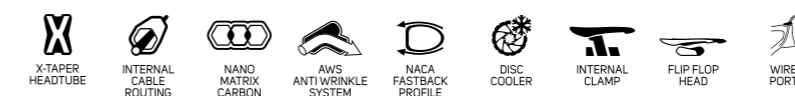
CF5 IV Superlite CF5 frame using the highest quality fibres for minimum weight (approx. 950 g – M). Aggressive pro geometry with 'NACA Fastback' profiled tubes and slimmed down tapered head tube (1 1/2" to 1 1/4" for superb aerodynamic efficiency and PF86 bottom bracket for exceptional power transfer. 12 mm bolt through axles with disc cooler technology.

| LEISURE | TOUR | ENDURANCE | **RACE** |



| | |
|-----------------------|-------------------------------------------------------------------------------------------------------------------------|
| FRAME | REACTO CF5 IV, material: carbon, 700x30C max. wheelsize, 100x12/ 142x12mm axle standard, BB86,5 bottom bracket standard |
| FRAME SIZE | XXS, XS, S, M, L, XL |
| FORK | REACTO CF5 IV DISC, material: carbon, 700x30C max. wheelsize |
| BRAKES | Shimano Ultegra |
| ROTORS | Shimano RT800 |
| HEADSET | FSA ACR |
| HANDLEBAR | Vision METRON 5D ACR INTEGRATED, material: carbon, 400mm (XXS-XS-S), 420mm (M-L-XL), |
| HANDLEBAR STEM | Vision METRON 5D ACR INTEGRATED, material: carbon, 100 mm-XXS/XS/S, 110 mm-M, 120 mm-L/XL |
| GRIP | MERIDA ROAD EXPERT |
| DERAILLEUR (F) | Shimano Ultegra Di2 |
| DERAILLEUR (R) | Shimano Ultegra Di2, GS |
| SHIFTERS | Shimano Ultegra disc Di2 |
| SEAT POST | MERIDA TAEM CW, Aero shape, 15mm setback, Carbon |
| SEAT CLAMP | MERIDA REACTO Aero |
| SADDLE | SCRATCH M5 |
| CHAIN | KMC X11EL |

| | |
|-----------------------|---------------------------------------------------------------------------------------------------------------------------------------------------------------------------------------|
| CHAINWHEEL | Shimano Ultegra, 52-36 teeth, 165 mm-XSS, 170 mm-XS/S, 172.5 mm-M, 175 mm-L/XL |
| FREEWHEEL | Shimano CS-R8000, 11-30 teeth, 11 speed |
| BOTTOM BRACKET | SM-BB72-41B, Pressfit 86.5 |
| WHEELSET | Reynolds AR 58 DB, 100x12mm width front hub, 142x12mm width rear hub, 21mm inner width, 41mm height, Centerlock, material: carbon, Tubeless ready (tubeless tape and valves included) |
| AXLES | MERIDA EXPERT SL |
| SPOKES | attached |
| TIRES | Continental Grand Sport Race |
| LIGHTS | REACTO light seat post + Battery |



REACTO FORCE-EDITION

BLACK/BRONZE

CF3 IV Carbon CF3 frame features the same race-proven geometry as the CF5 (approx. 1,150 g – M). Aggressive pro geometry with 'NACA Fastback' profile tubes for efficient aerodynamics. Tapered head tube for confidence-inspiring handling and PF86 bottom bracket for efficient power transfer. 12mm bolt through axles with disc cooler technology.

| LEISURE | TOUR | ENDURANCE | **RACE** |



| | |
|-----------------------|-------------------------------------------------------------------------------------------------------------------------|
| FRAME | REACTO CF3 IV, material: carbon, 700x30C max. wheelsize, 100x12/ 142x12mm axle standard, BB86,5 bottom bracket standard |
| FRAME SIZE | XXS, XS, S, M, L, XL |
| FORK | REACTO CF5 IV DISC, material: carbon, 700x30C max. wheelsize |
| BRAKES | Sram ED Force eTap AXS |
| ROTORS | Sram DB ROTOR CLX R CNTRLOCK |
| HEADSET | FSA ACR |
| HANDLEBAR | MERIDA EXPERT CW, material: aluminium, 380mm (XXS), 400mm (XS-S), 420mm (M), 440 (L-XL) |
| HANDLEBAR STEM | FSA SMR ACR, material: aluminium, -6° stem angle, 90 mm-XXS/XS, 100 mm-S, 110 mm-M, 120 mm-L/XL |
| GRIP | MERIDA ROAD EXPERT |
| DERAILLEUR (F) | Sram Force eTap AXS |
| DERAILLEUR (R) | Sram Force eTap AXS, SS |
| SHIFTERS | Sram Force eTAP AXS HRD |
| SEAT POST | MERIDA TEAM CW, Aero shape, 15mm setback, Carbon |
| SEAT CLAMP | MERIDA REACTO Aero |
| SADDLE | MERIDA EXPERT CC |
| CHAIN | Sram Force chain |

| | |
|-----------------------|---------------------------------------------------------------------------------------------------------------------------------------------------------------------------------------|
| CHAINWHEEL | Sram Force eTap AXS, 48-35 teeth, 165 mm-XSS, 170 mm-XS/S, 172.5 mm-M, 175 mm-L/XL |
| FREEWHEEL | CS XG 1270 D1, 10-33 teeth, 12 speed |
| BOTTOM BRACKET | Sram Pressfit Dub, Presfit 86.5 |
| WHEELSET | Reynolds AR 58 DB, 100x12mm width front hub, 142x12mm width rear hub, 21mm inner width, 41mm height, Centerlock, material: carbon, Tubeless ready (tubeless tape and valves included) |
| AXLES | MERIDA EXPERT SL |
| SPOKES | Attached |
| TIRES | Continental Grand Sport Race |
| LIGHTS | REACTO light seat post + Battery |



REACTO FORCE-EDITION

GLOSSY BLACK/MATT BLACK

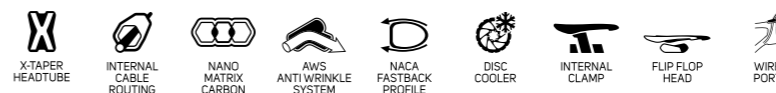
CF3 IV Carbon CF3 frame features the same race-proven geometry as the CF5 (approx. 1,150 g – M). Aggressive pro geometry with 'NACA Fastback' profile tubes for efficient aerodynamics. Tapered head tube for confidence-inspiring handling and PF86 bottom bracket for efficient power transfer. 12mm bolt through axles with disc cooler technology.

| LEISURE | TOUR | ENDURANCE | **RACE** |



| | |
|-----------------------|-------------------------------------------------------------------------------------------------------------------------|
| FRAME | REACTO CF3 IV, material: carbon, 700x30C max. wheelsize, 100x12/ 142x12mm axle standard, BB86,5 bottom bracket standard |
| FRAME SIZE | XXS, XS, S, M, L, XL |
| FORK | REACTO CF5 IV DISC, material: carbon, 700x30C max. wheelsize |
| BRAKES | Sram ED Force eTap AXS |
| ROTORS | Sram DB ROTOR CLX R CNTRLOCK |
| HEADSET | FSA ACR |
| HANDLEBAR | MERIDA EXPERT CW, material: aluminium, 380mm (XXS), 400mm (XS-S), 420mm (M), 440 (L-XL) |
| HANDLEBAR STEM | FSA SMR ACR, material: aluminium, -6° stem angle, 90 mm-XXS/XS, 100 mm-S, 110 mm-M, 120 mm-L/XL |
| GRIP | MERIDA ROAD EXPERT |
| DERAILLEUR (F) | Sram Force eTap AXS |
| DERAILLEUR (R) | Sram Force eTap AXS, SS |
| SHIFTERS | Sram Force eTAP AXS HRD |
| SEAT POST | MERIDA TEAM CW, Aero shape, 15mm setback, Carbon |
| SEAT CLAMP | MERIDA REACTO Aero |
| SADDLE | MERIDA EXPERT CC |
| CHAIN | Sram Force chain |

| | |
|-----------------------|---------------------------------------------------------------------------------------------------------------------------------------------------------------------------------------|
| CHAINWHEEL | Sram Force eTap AXS, 48-35 teeth, 165 mm-XSS, 170 mm-XS/S, 172.5 mm-M, 175 mm-L/XL |
| FREEWHEEL | CS XG 1270 D1, 10-33 teeth, 12 speed |
| BOTTOM BRACKET | Sram Pressfit Dub, Presfit 86.5 |
| WHEELSET | Reynolds AR 58 DB, 100x12mm width front hub, 142x12mm width rear hub, 21mm inner width, 41mm height, Centerlock, material: carbon, Tubeless ready (tubeless tape and valves included) |
| AXLES | MERIDA EXPERT SL |
| SPOKES | Attached |
| TIRES | Continental Grand Sport Race |
| LIGHTS | REACTO light seat post + Battery |



REACTO 7000-E

GLOSSY BLACK/MATT BLACK

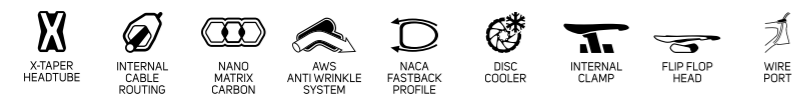
CF3 IV Carbon CF3 frame features the same race-proooven geometry as the CF5 (approx. 1,150 g – M). Aggressive pro geometry with 'NACA Fastback' profile tubes for efficient aerodynamics. Tapered head tube for confidence-inspiring handling and PF86 bottom bracket for efficient power transfer. 12mm bolt through axles with disc cooler technology.

| LEISURE | TOUR | ENDURANCE | **RACE** |



| | |
|-----------------------|-------------------------------------------------------------------------------------------------------------------------|
| FRAME | REACTO CF3 IV, material: carbon, 700x30C max. wheelsize, 100x12/ 142x12mm axle standard, BB86,5 bottom bracket standard |
| FRAME SIZE | XXS, XS, S, M, L, XL |
| FORK | REACTO CF5 IV DISC, material: carbon, 700x30C max. wheelsize |
| BRAKES | Shimano Ultegra |
| ROTORS | Shimano RT800 |
| HEADSET | FSA ACR |
| HANDLEBAR | MERIDA EXPERT CW, material: aluminium, 380mm (XXS), 400mm (XS-S), 420mm (M), 440 (L-XL) |
| HANDLEBAR STEM | FSA SMR ACR, material: aluminium, -6° stem angle, 90 mm-XXS/XS, 100 mm-S, 110 mm-M, 120 mm-L/XL |
| GRIP | MERIDA ROAD EXPERT |
| DERAILLEUR (F) | Shimano Ultegra Di2 |
| DERAILLEUR (R) | Shimano Ultegra Di2, GS |
| SHIFTERS | Shimano Ultegra disc Di2 |
| SEAT POST | MERIDA TEAM CW, Aero shape, 15mm setback, Carbon |
| SEAT CLAMP | MERIDA REACTO Aero |
| SADDLE | MERIDA EXPERT CC |
| CHAIN | KMC X11 |

| | |
|-----------------------|---------------------------------------------------------------------------------------------------------------------------------------------------------------------------------------------------|
| CHAINWHEEL | Shimano Ultegra, 52-36 teeth, 165 mm-XSS, 170 mm-XS/S, 172.5 mm-M, 175 mm-L/XL |
| FREEWHEEL | Shimano CS-R7000, 11-30 teeth, 11 speed |
| BOTTOM BRACKET | SM-BB72-41B, Pressfit 86.5 |
| WHEELSET | DT Swiss P1800 Spline DB32, 100x12mm width front hub, 142x12mm width rear hub, 18mm inner width, 32mm height, Centerlock, material: aluminium, Tubeless ready (tubeless tape and valves included) |
| AXLES | MERIDA EXPERT SL |
| SPOKES | attached |
| TIRES | Continental Grand Sport Race |
| LIGHTS | REACTO light seat post + Battery |



REACTO 7000-E

GLOSSY TITAN/SILK TITAN

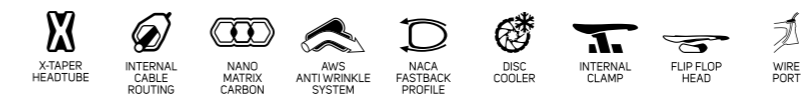
CF3 IV Carbon CF3 frame features the same race-proooven geometry as the CF5 (approx. 1,150 g – M). Aggressive pro geometry with 'NACA Fastback' profile tubes for efficient aerodynamics. Tapered head tube for confidence-inspiring handling and PF86 bottom bracket for efficient power transfer. 12mm bolt through axles with disc cooler technology.

| LEISURE | TOUR | ENDURANCE | **RACE** |



| | |
|-----------------------|-------------------------------------------------------------------------------------------------------------------------|
| FRAME | REACTO CF3 IV, material: carbon, 700x30C max. wheelsize, 100x12/ 142x12mm axle standard, BB86,5 bottom bracket standard |
| FRAME SIZE | XXS, XS, S, M, L, XL |
| FORK | REACTO CF5 IV DISC, material: carbon, 700x30C max. wheelsize |
| BRAKES | Shimano Ultegra |
| ROTORS | Shimano RT800 |
| HEADSET | FSA ACR |
| HANDLEBAR | MERIDA EXPERT CW, material: aluminium, 380mm (XXS), 400mm (XS-S), 420mm (M), 440 (L-XL) |
| HANDLEBAR STEM | FSA SMR ACR, material: aluminium, -6° stem angle, 90 mm-XXS/XS, 100 mm-S, 110 mm-M, 120 mm-L/XL |
| GRIP | MERIDA ROAD EXPERT |
| DERAILLEUR (F) | Shimano Ultegra Di2 |
| DERAILLEUR (R) | Shimano Ultegra Di2, GS |
| SHIFTERS | Shimano Ultegra disc Di2 |
| SEAT POST | MERIDA TEAM CW, Aero shape, 15mm setback, Carbon |
| SEAT CLAMP | MERIDA REACTO Aero |
| SADDLE | MERIDA EXPERT CC |
| CHAIN | KMC X11 |

| | |
|-----------------------|---------------------------------------------------------------------------------------------------------------------------------------------------------------------------------------------------|
| CHAINWHEEL | Shimano Ultegra, 52-36 teeth, 165 mm-XSS, 170 mm-XS/S, 172.5 mm-M, 175 mm-L/XL |
| FREEWHEEL | Shimano CS-R7000, 11-30 teeth, 11 speed |
| BOTTOM BRACKET | SM-BB72-41B, Pressfit 86.5 |
| WHEELSET | DT Swiss P1800 Spline DB32, 100x12mm width front hub, 142x12mm width rear hub, 18mm inner width, 32mm height, Centerlock, material: aluminium, Tubeless ready (tubeless tape and valves included) |
| AXLES | MERIDA EXPERT SL |
| SPOKES | attached |
| TIRES | Continental Grand Sport Race |
| LIGHTS | REACTO light seat post + Battery |



REACTO 6000

GLOSSY BLACK/MATT BLACK

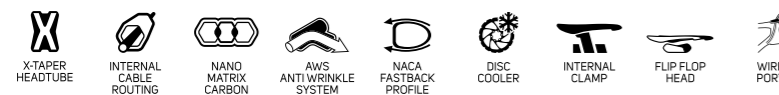
CF3 IV Carbon CF3 frame features the same race-proovent geometry as the CF5 (approx. 1,150 g – M). Aggressive pro geometry with 'NACA Fastback' profile tubes for efficient aerodynamics. Tapered head tube for confidence-inspiring handling and PF86 bottom bracket for efficient power transfer. 12mm bolt through axles with disc cooler technology.

| LEISURE | TOUR | ENDURANCE | **RACE** |



| | |
|-----------------------|-------------------------------------------------------------------------------------------------------------------------|
| FRAME | REACTO CF3 IV, material: carbon, 700x30C max. wheelsize, 100x12/ 142x12mm axle standard, BB86,5 bottom bracket standard |
| FRAME SIZE | XXS, XS, S, M, L, XL |
| FORK | REACTO CF5 IV DISC, material: carbon, 700x30C max. wheelsize |
| BRAKES | Shimano Ultegra |
| ROTORS | Shimano RT800 |
| HEADSET | FSA ACR |
| HANDLEBAR | MERIDA EXPERT CW, material: aluminium, 380mm (XXS), 400mm (XS-S), 420mm (M), 440 (L-XL) |
| HANDLEBAR STEM | FSA SMR ACR, material: aluminium, -6° stem angle, 90 mm-XXS/XS, 100 mm-S, 110 mm-M, 120 mm-L/XL |
| GRIP | MERIDA ROAD EXPERT |
| DERAILLEUR (F) | Shimano Ultegra |
| DERAILLEUR (R) | Shimano Ultegra, GS |
| SHIFTERS | Shimano Ultegra disc |
| SEAT POST | MERIDA TEAM CW, Aero shape, 15mm setback, Carbon |
| SEAT CLAMP | MERIDA REACTO Aero |
| SADDLE | MERIDA EXPERT CC |
| CHAIN | KMC X11 |

| | |
|-----------------------|--------------------------------------------------------------------------------------------------------------------------------------------------------------------------------------------------|
| CHAINWHEEL | Shimano Ultegra, 52-36 teeth, 165 mm-XSS, 170 mm-XS/S, 172.5 mm-M, 175 mm-L/XL |
| FREEWHEEL | Shimano CS-R7000, 11-30 teeth, 11 speed |
| BOTTOM BRACKET | SM-BB72-41B, Pressfit 86.5 |
| WHEELSET | Fulcrum Racing 800 DB, 100x12mm width front hub, 142x12mm width rear hub, 19mm inner width, 34mm height, Centerlock, material: aluminium, Tubeless ready (tubeless tape and valves not included) |
| AXLES | MERIDA EXPERT SL |
| SPOKES | attached |
| TIRES | Continental Grand Sport Race |
| LIGHTS | REACTO light seat post + Battery |



REACTO 6000

GLOSSY BLUE/MATT BLUE

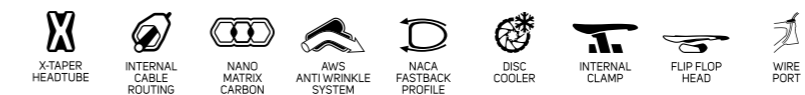
CF3 IV Carbon CF3 frame features the same race-proovent geometry as the CF5 (approx. 1,150 g – M). Aggressive pro geometry with 'NACA Fastback' profile tubes for efficient aerodynamics. Tapered head tube for confidence-inspiring handling and PF86 bottom bracket for efficient power transfer. 12mm bolt through axles with disc cooler technology.

| LEISURE | TOUR | ENDURANCE | **RACE** |



| | |
|-----------------------|-------------------------------------------------------------------------------------------------------------------------|
| FRAME | REACTO CF3 IV, material: carbon, 700x30C max. wheelsize, 100x12/ 142x12mm axle standard, BB86,5 bottom bracket standard |
| FRAME SIZE | XXS, XS, S, M, L, XL |
| FORK | REACTO CF5 IV DISC, material: carbon, 700x30C max. wheelsize |
| BRAKES | Shimano Ultegra |
| ROTORS | Shimano RT800 |
| HEADSET | FSA ACR |
| HANDLEBAR | MERIDA EXPERT CW, material: aluminium, 380mm (XXS), 400mm (XS-S), 420mm (M), 440 (L-XL) |
| HANDLEBAR STEM | FSA SMR ACR, material: aluminium, -6° stem angle, 90 mm-XXS/XS, 100 mm-S, 110 mm-M, 120 mm-L/XL |
| GRIP | MERIDA ROAD EXPERT |
| DERAILLEUR (F) | Shimano Ultegra |
| DERAILLEUR (R) | Shimano Ultegra, GS |
| SHIFTERS | Shimano Ultegra disc |
| SEAT POST | MERIDA TEAM CW, Aero shape, 15mm setback, Carbon |
| SEAT CLAMP | MERIDA REACTO Aero |
| SADDLE | MERIDA EXPERT CC |
| CHAIN | KMC X11 |

| | |
|-----------------------|--------------------------------------------------------------------------------------------------------------------------------------------------------------------------------------------------|
| CHAINWHEEL | Shimano Ultegra, 52-36 teeth, 165 mm-XSS, 170 mm-XS/S, 172.5 mm-M, 175 mm-L/XL |
| FREEWHEEL | Shimano CS-R7000, 11-30 teeth, 11 speed |
| BOTTOM BRACKET | SM-BB72-41B, Pressfit 86.5 |
| WHEELSET | Fulcrum Racing 800 DB, 100x12mm width front hub, 142x12mm width rear hub, 19mm inner width, 34mm height, Centerlock, material: aluminium, Tubeless ready (tubeless tape and valves not included) |
| AXLES | MERIDA EXPERT SL |
| SPOKES | attached |
| TIRES | Continental Grand Sport Race |
| LIGHTS | REACTO light seat post + Battery |



REACTO 5000

GLOSSY BLACK/MATT BLACK

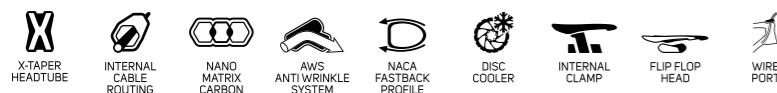
CF3 IV Carbon CF3 frame features the same race-proooven geometry as the CF5 (approx. 1,150 g – M). Aggressive pro geometry with 'NACA Fastback' profile tubes for efficient aerodynamics. Tapered head tube for confidence-inspiring handling and PF86 bottom bracket for efficient power transfer. 12mm bolt through axles with disc cooler technology.

| LEISURE | TOUR | ENDURANCE | **RACE** |



| | |
|-----------------------|-------------------------------------------------------------------------------------------------------------------------|
| FRAME | REACTO CF3 IV, material: carbon, 700x30C max. wheelsize, 100x12/ 142x12mm axle standard, BB86,5 bottom bracket standard |
| FRAME SIZE | XXS, XS, S, M, L, XL |
| FORK | REACTO CF5 IV DISC, material: carbon, 700x30C max. wheelsize |
| BRAKES | Shimano Ultegra |
| ROTORS | Shimano RT64 |
| HEADSET | FSA ACR |
| HANDLEBAR | MERIDA EXPERT CW, material: aluminium, 380mm (XXS), 400mm (XS-S), 420mm (M), 440 (L-XL) |
| HANDLEBAR STEM | FSA SMR ACR, material: aluminium, -6° stem angle, 90 mm-XXS/XS, 100 mm-S, 110 mm-M, 120 mm-L/XL |
| GRIP | One-Touch |
| DERAILLEUR (F) | Shimano Ultegra |
| DERAILLEUR (R) | Shimano Ultegra, GS |
| SHIFTERS | Shimano Ultegra disc |
| SEAT POST | MERIDA TEAM CW, Aero shape, 15mm setback, Carbon |
| SEAT CLAMP | MERIDA REACTO Aero |
| SADDLE | MERIDA EXPERT CC |
| CHAIN | KMC X11 |

| | |
|-----------------------|------------------------------------------------------------------------------------------------------------------------------|
| CHAINWHEEL | Shimano RS510, 52-36 teeth, 165 mm-XSS, 170 mm-XS/S, 172.5 mm-M, 175 mm-L/XL |
| FREEWHEEL | Shimano CS-R7000, 11-30 teeth, 11 speed |
| BOTTOM BRACKET | SM-BB71-41B, Pressfit 86.5 |
| RIM | MERIDA EXPERT CW, 19mm inner width, 30mm height, material: aluminium, Tubeless ready (tubeless tape and valves not included) |
| HUBS | VP CLK170F / VP 270SB |
| AXLES | MERIDA EXPERT SL |
| SPOKES | Double Butted Black stainless |
| TIRES | Continental Ultra Sport III |
| LIGHTS | REACTO light seat post + Battery |



REACTO 5000

BAHRAIN-MCLAREN TEAM REPLICA

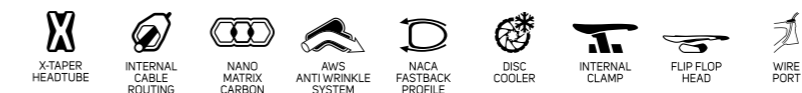
CF3 IV Carbon CF3 frame features the same race-proooven geometry as the CF5 (approx. 1,150 g – M). Aggressive pro geometry with 'NACA Fastback' profile tubes for efficient aerodynamics. Tapered head tube for confidence-inspiring handling and PF86 bottom bracket for efficient power transfer. 12mm bolt through axles with disc cooler technology.

| LEISURE | TOUR | ENDURANCE | **RACE** |



| | |
|-----------------------|-------------------------------------------------------------------------------------------------------------------------|
| FRAME | REACTO CF3 IV, material: carbon, 700x30C max. wheelsize, 100x12/ 142x12mm axle standard, BB86,5 bottom bracket standard |
| FRAME SIZE | XXS, XS, S, M, L, XL |
| FORK | REACTO CF5 IV DISC, material: carbon, 700x30C max. wheelsize |
| BRAKES | Shimano Ultegra |
| ROTORS | Shimano RT64 |
| HEADSET | FSA ACR |
| HANDLEBAR | MERIDA EXPERT CW, material: aluminium, 380mm (XXS), 400mm (XS-S), 420mm (M), 440 (L-XL) |
| HANDLEBAR STEM | FSA SMR ACR, material: aluminium, -6° stem angle, 90 mm-XXS/XS, 100 mm-S, 110 mm-M, 120 mm-L/XL |
| GRIP | One-Touch |
| DERAILLEUR (F) | Shimano Ultegra |
| DERAILLEUR (R) | Shimano Ultegra, GS |
| SHIFTERS | Shimano Ultegra disc |
| SEAT POST | MERIDA TEAM CW, Aero shape, 15mm setback, Carbon |
| SEAT CLAMP | MERIDA REACTO Aero |
| SADDLE | MERIDA EXPERT CC |
| CHAIN | KMC X11 |

| | |
|-----------------------|------------------------------------------------------------------------------------------------------------------------------|
| CHAINWHEEL | Shimano RS510, 52-36 teeth, 165 mm-XSS, 170 mm-XS/S, 172.5 mm-M, 175 mm-L/XL |
| FREEWHEEL | Shimano CS-R7000, 11-30 teeth, 11 speed |
| BOTTOM BRACKET | SM-BB71-41B, Pressfit 86.5 |
| RIM | MERIDA EXPERT CW, 19mm inner width, 30mm height, material: aluminium, Tubeless ready (tubeless tape and valves not included) |
| HUBS | VP CLK170F / VP 270SB |
| AXLES | MERIDA EXPERT SL |
| SPOKES | Double Butted Black stainless |
| TIRES | Continental Ultra Sport III |
| LIGHTS | REACTO light seat post + Battery |



REACTO 4000

GLOSSY BLACK/MATT BLACK

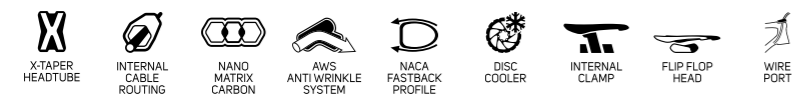
CF3 IV Carbon CF3 frame features the same race-proven geometry as the CF5 (approx. 1,150 g – M). Aggressive pro geometry with 'NACA Fastback' profile tubes for efficient aerodynamics. Tapered head tube for confidence-inspiring handling and PF86 bottom bracket for efficient power transfer. 12mm bolt through axles with disc cooler technology.

| LEISURE | TOUR | ENDURANCE | **RACE** |



| | |
|-----------------------|-------------------------------------------------------------------------------------------------------------------------|
| FRAME | REACTO CF3 IV, material: carbon, 700x30C max. wheelsize, 100x12/ 142x12mm axle standard, BB86,5 bottom bracket standard |
| FRAME SIZE | XXS, XS, S, M, L, XL |
| FORK | REACTO CF5 IV DISC, material: carbon, 700x30C max. wheelsize |
| BRAKES | Shimano 105 |
| ROTORS | Shimano RT54 |
| HEADSET | FSA ACR |
| HANDLEBAR | MERIDA EXPERT CW, material: aluminium, 380mm (XXS), 400mm (XS-S), 420mm (M), 440 (L-XL) |
| HANDLEBAR STEM | FSA SMR ACR, material: aluminium, -6° stem angle, 90 mm-XXS/XS, 100 mm-S, 110 mm-M, 120 mm-L/XL |
| GRIP | MERIDA ROAD EXPERT |
| DERAILLEUR (F) | Shimano 105 |
| DERAILLEUR (R) | Shimano 105, GS |
| SHIFTERS | Shimano 105 disc |
| SEAT POST | MERIDA TEAM CW, Aero shape, 15mm setback, Carbon |
| SEAT CLAMP | MERIDA REACTO Aero |
| SADDLE | MERIDA EXPERT CC |
| CHAIN | KMC X11 |

| | |
|-----------------------|------------------------------------------------------------------------------------------------------------------------------|
| CHAINWHEEL | Shimano 105, 52-36 teeth, 165 mm-XSS, 170 mm-XS/S, 172.5 mm-M, 175 mm-L/XL |
| FREEWHEEL | Shimano CS-R7000, 11-30 teeth, 11 speed |
| BOTTOM BRACKET | SM-BB71-41B, Pressfit 86.5 |
| RIM | MERIDA EXPERT CW, 19mm inner width, 30mm height, material: aluminium, Tubeless ready (tubeless tape and valves not included) |
| HUBS | VP CLK170F / VP 270SB |
| AXLES | MERIDA EXPERT SL |
| SPOKES | Double Butted Black stainless |
| TIRES | Continental Ultra Sport III |
| LIGHTS | REACTO light seat post + Battery |



REACTO 4000

GLOSSY RED/MATT BLACK

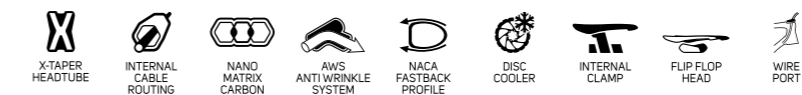
CF3 IV Carbon CF3 frame features the same race-proven geometry as the CF5 (approx. 1,150 g – M). Aggressive pro geometry with 'NACA Fastback' profile tubes for efficient aerodynamics. Tapered head tube for confidence-inspiring handling and PF86 bottom bracket for efficient power transfer. 12mm bolt through axles with disc cooler technology.

| LEISURE | TOUR | ENDURANCE | **RACE** |



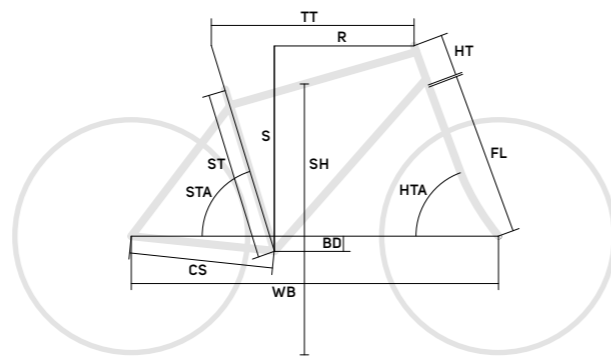
| | |
|-----------------------|-------------------------------------------------------------------------------------------------------------------------|
| FRAME | REACTO CF3 IV, material: carbon, 700x30C max. wheelsize, 100x12/ 142x12mm axle standard, BB86,5 bottom bracket standard |
| FRAME SIZE | XXS, XS, S, M, L, XL |
| FORK | REACTO CF5 IV DISC, material: carbon, 700x30C max. wheelsize |
| BRAKES | Shimano 105 |
| ROTORS | Shimano RT54 |
| HEADSET | FSA ACR |
| HANDLEBAR | MERIDA EXPERT CW, material: aluminium, 380mm (XXS), 400mm (XS-S), 420mm (M), 440 (L-XL) |
| HANDLEBAR STEM | FSA SMR ACR, material: aluminium, -6° stem angle, 90 mm-XXS/XS, 100 mm-S, 110 mm-M, 120 mm-L/XL |
| GRIP | MERIDA ROAD EXPERT |
| DERAILLEUR (F) | Shimano 105 |
| DERAILLEUR (R) | Shimano 105, GS |
| SHIFTERS | Shimano 105 disc |
| SEAT POST | MERIDA TEAM CW, Aero shape, 15mm setback, Carbon |
| SEAT CLAMP | MERIDA REACTO Aero |
| SADDLE | MERIDA EXPERT CC |
| CHAIN | KMC X11 |

| | |
|-----------------------|------------------------------------------------------------------------------------------------------------------------------|
| CHAINWHEEL | Shimano 105, 52-36 teeth, 165 mm-XSS, 170 mm-XS/S, 172.5 mm-M, 175 mm-L/XL |
| FREEWHEEL | Shimano CS-R7000, 11-30 teeth, 11 speed |
| BOTTOM BRACKET | SM-BB71-41B, Pressfit 86.5 |
| RIM | MERIDA EXPERT CW, 19mm inner width, 30mm height, material: aluminium, Tubeless ready (tubeless tape and valves not included) |
| HUBS | VP CLK170F / VP 270SB |
| AXLES | MERIDA EXPERT SL |
| SPOKES | Double Butted Black stainless |
| TIRES | Continental Ultra Sport III |
| LIGHTS | REACTO light seat post + Battery |



REACTO

GEOMETRIES



REACTO CF5 IV

| FS Frame Size | XXS(47) | XS(50) | S (52) | M (54) | L(56) | XL(59) |
|-----------------------------|---------|--------|--------|--------|-------|--------|
| TS Tire Size | 28" | 28" | 28" | 28" | 28" | 28" |
| ST seat tube [mm] | 470 | 500 | 520 | 540 | 560 | 590 |
| TT top tube [mm] | 520 | 536 | 545 | 560 | 575 | 590 |
| CS chain stay length [mm] | 408 | 408 | 408 | 408 | 408 | 408 |
| HTA head tube angle [°] | 70.5 | 72 | 72.5 | 73.5 | 73.5 | 74 |
| STA seat tube angle [°] | 74.5 | 74 | 74 | 73.5 | 73 | 73 |
| BD bottom bracket drop [mm] | 70 | 70 | 66 | 66 | 66 | 66 |
| HT head tube [mm] | 105 | 112 | 128 | 140 | 155 | 176 |
| FL fork length [mm] | 385 | 385 | 385 | 385 | 385 | 385 |
| R reach [mm] | 377 | 384 | 390 | 395 | 400 | 409 |
| S stack [mm] | 517 | 529 | 542 | 557 | 571 | 593 |
| WB wheel base [mm] | 985 | 983 | 990 | 990 | 999 | 1010 |
| SH stand over height [mm] | 746 | 771 | 792 | 810 | 826 | 853 |

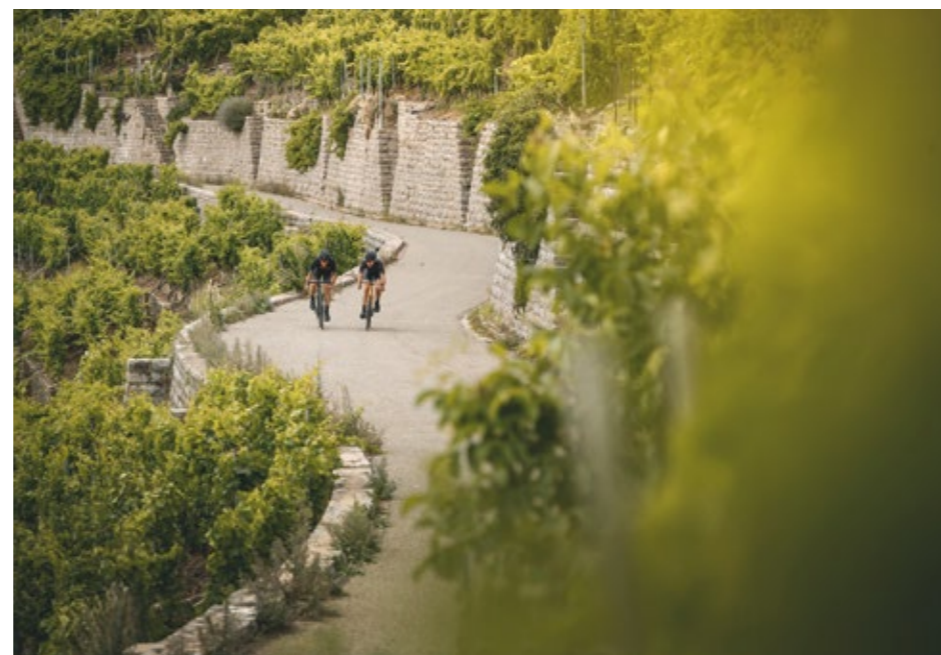
REACTO CF3 IV

| FS Frame Size | XXS(47) | XS(50) | S (52) | M (54) | L(56) | XL(59) |
|-----------------------------|---------|--------|--------|--------|-------|--------|
| TS Tire Size | 28" | 28" | 28" | 28" | 28" | 28" |
| ST seat tube [mm] | 470 | 500 | 520 | 540 | 560 | 590 |
| TT top tube [mm] | 520 | 536 | 545 | 560 | 575 | 590 |
| CS chain stay length [mm] | 408 | 408 | 408 | 408 | 408 | 408 |
| HTA head tube angle [°] | 70.5 | 72 | 72.5 | 73.5 | 73.5 | 74 |
| STA seat tube angle [°] | 74.5 | 74 | 74 | 73.5 | 73 | 73 |
| BD bottom bracket drop [mm] | 70 | 70 | 66 | 66 | 66 | 66 |
| HT head tube [mm] | 105 | 112 | 128 | 140 | 155 | 176 |
| FL fork length [mm] | 385 | 385 | 385 | 385 | 385 | 385 |
| R reach [mm] | 377 | 384 | 390 | 395 | 400 | 409 |
| S stack [mm] | 517 | 529 | 542 | 557 | 571 | 593 |
| WB wheel base [mm] | 985 | 983 | 990 | 990 | 999 | 1010 |
| SH stand over height [mm] | 746 | 771 | 792 | 810 | 826 | 853 |

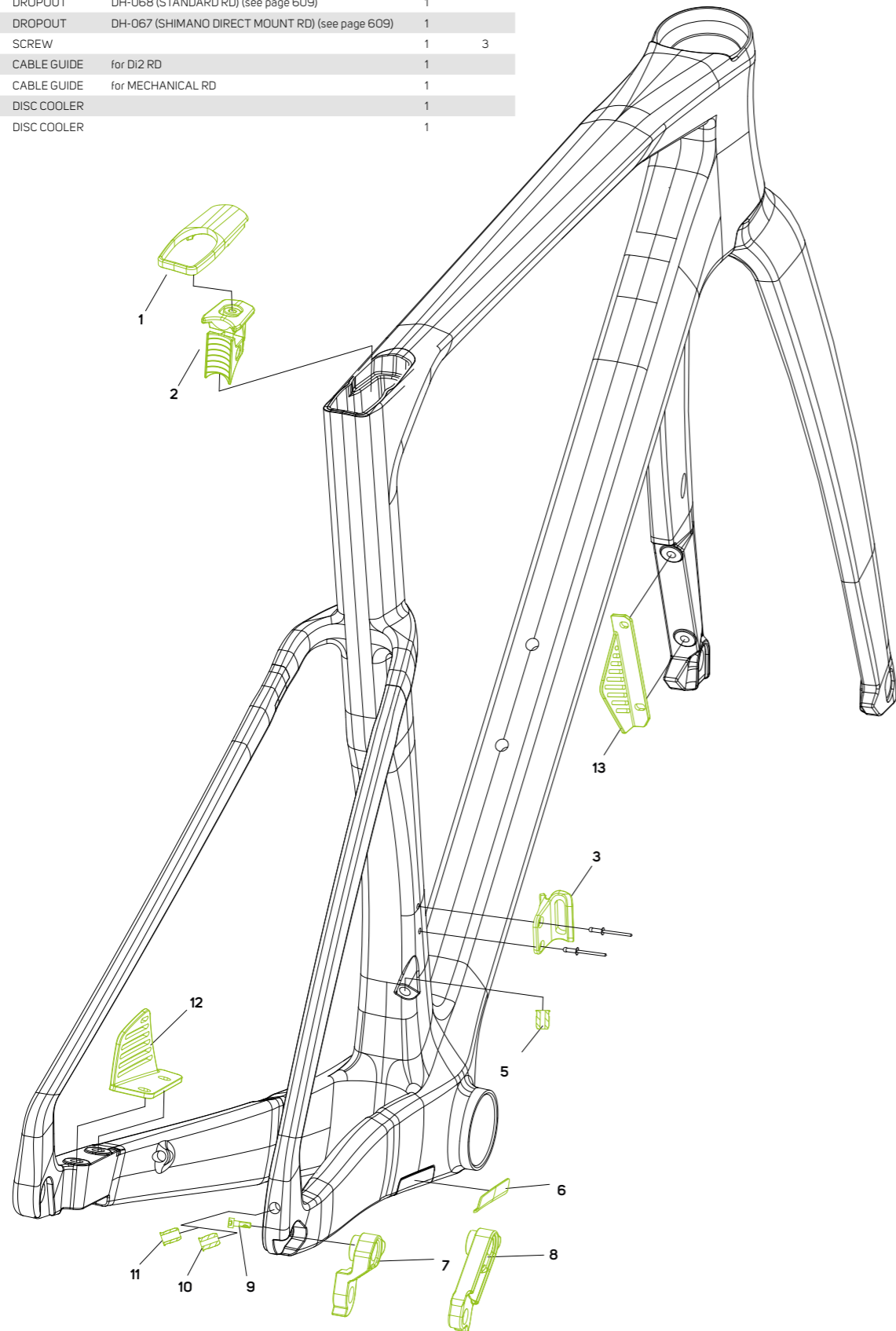
FRAME INTERFACES

| | CF5 IV | CF3 IV |
|----------------------------------------------|--------------------|---------------------|
| MAX. WHEELSIZE | 700x30C | 700x30C |
| HEAD TUBE | | |
| 11/2" & 11/4" | • | • |
| HEADSET | | |
| INTEGRATED | • | • |
| BRAKE STANDARD | | |
| FLAT MOUNT 140/160 mm (W COOLER) REAR BRAKE | • | • |
| FLAT MOUNT 160/180 mm (W COOLER) FRONT BRAKE | • | • |
| BB-STANDARD | | |
| PF 86 | • | • |
| SEATPOST DIAMETER | | |
| OTHERS | • | • |
| REAR DROPOUT-STANDARD | | |
| THRU AXLE 12x142 mm | • | • |
| FRONT AXLE STANDARD | | |
| THRU AXLE 12x100 mm | • | • |
| CABLE ROUTING | | |
| INTERNAL SHIFTING CABLES | • | • |
| INTERNAL BRAKE CABLE | • | • |
| DI2-READY | • | • |
| FD-STANDARD | | |
| BRAZED ON | • | • |
| FRAME WEIGHT* | 980g size M +/- 3% | 1165g size M +/- 3% |
| FORK WEIGHT | 470g +/- 3% | 490g +/- 3% |
| RD HANGER | DH-067 and DH-068 | |

* Frame weight only! Without axle, frame protectors, saddle clamp, hanger, steerer cups and cable guides (weight is also depending on the frame color)



| No. | Item No. | Item | Detail information | Pieces | Torque Nm |
|-----|------------|------------------------|-------------------------------------------------|--------|-----------|
| 1 | 2347004706 | PLUG | | 1 | |
| 2 | 2247016120 | SEAT CLAMP | | 1 | |
| 3 | 2136001917 | FD MOUNT | | 1 | |
| 5 | 2143003570 | CABLE GUIDE | for Di2 FD | 1 | |
| 6 | 2322003254 | FRAME PROTECTION PLATE | | 1 | |
| 7 | 2311005695 | DROPOUT | DH-068 (STANDARD RD) (see page 609) | 1 | |
| 8 | 2311005684 | DROPOUT | DH-067 (SHIMANO DIRECT MOUNT RD) (see page 609) | 1 | |
| 9 | 230009458 | SCREW | | 1 | 3 |
| 10 | 2143003882 | CABLE GUIDE | for Di2 RD | 1 | |
| 11 | 2143003376 | CABLE GUIDE | for MECHANICAL RD | 1 | |
| 12 | 2164001784 | DISC COOLER | | 1 | |
| 13 | 2164001795 | DISC COOLER | | 1 | |



SCULTURA

L I G H T W E I G H T R A C E P E D I G R E E

Our lightweight racer is at the cutting edge of design, powering Team Bahrain McLaren to World-Tour victories. Available in two different geometries and as either disc brake or rim brake option, our classic road bike combines class-leading comfort, with whippet-like acceleration and stage winning climbing pedigree. Cycling Plus magazine calls it 'a piece of legendary racing equipment'.



1

AERO PROFILED TUBING

Our wind tunnel learnings from the REACTO design project have been used to create a smaller aerodynamically optimised 'NACA Fastback' tube profile. The more extreme truncation of the teardrop shaped tubes enables perfect airflow at the lowest possible weight.

2

PRECISE STEERING

All SCULTURA models feature a full carbon fork with a tapered steerer to give precise confidence-inspiring steering. Alloy and CF2 carbon models feature a 'regular' 1 1/8" to 1 1/2" taper. The high-end CF4 frame has a slimmed down front profile and uses a 1 1/8" to 1 1/4" taper.

5

TYRES CLEARANCE

The SCULTURA DISC version can be fitted with 28 mm wide tyres, providing maximum traction and transferring the improved braking power to the road. The maximum tyre width for the rim version is 25 mm.

6

SHIMANO DIRECT HANGER

Our CF4 frame features the Shimano direct hanger for a more solid connection between frame and rear derailleur, resulting in further improved shifting and more simplified (and therefore faster) wheel changes.

3

BOLT THROUGH AXLES

All SCULTURA DISC bikes feature 12 mm bolt through axles for greater wheel stiffness and precise disc alignment when replacing wheels. The axle lever is removable and has a 4 mm Allen key included, so for example stem, seat post clamp screws can be tightened and loosened.

4

DISC COOLING TECHNOLOGY

A forged aluminium part under the rear disc brake caliper draws heat away through CNC-milled cooling fins giving 35 % less heat build-up and faster temperature reduction for a stable braking performance.

SCULTURA TEAM-E

BAHRAIN-MCLAREN TEAM

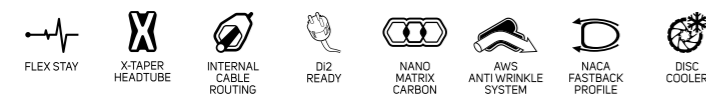
CF4 Super-lite CF4 Disc frame. Aggressive ProTour proven geometry with truncated 'NACA Fastback' profiled down tube and seat tube and slim 11/8" to 11/4" tapered head tube for aerodynamics. BB386 for exceptional power transfer. Narrow profiled seat stays reduce vibration and deliver comfort. Through axles and flat mount rear disc brake with disc cooler technology. Electronic shifting only. Shimano direct mount gear hanger.

| LEISURE | TOUR | ENDURANCE | **RACE** |



| | |
|-----------------------|---------------------------------------------------------------------------------------------------------------------------|
| FRAME | SCULTURA DISC CF4, material: carbon, 700x28C max. wheelsize, 100x12/ 142x12mm axle standard, 386 bottom bracket standard |
| FRAME SIZE | XXS, XS, S, S/M, M/L, L, XL |
| FORK | SCULTURA CF4 disc, 700x28C max. wheelsize |
| BRAKES | Shimano Dura Ace |
| ROTORS | Shimano RT900 |
| HEADSET | FSA NO.44/CF neck |
| HANDLEBAR | FSA K-FORCE COMPACT, material: carbon, 400mm (XXS-XS-S), 420mm (S/M-M/L), 440mm (L-XL) |
| HANDLEBAR STEM | K-Force Light 2.0, 31.8mm diameter, material: aluminium, -6° stem angle, 80 mm-XXS/XS, 90 mm-S, 100 mm-SM/ML, 110 mm-L/XL |
| GRIP | One-Touch |
| DERAILLEUR (F) | Shimano Dura Ace Di2 |
| DERAILLEUR (R) | Shimano Dura Ace Di2, SS |
| SHIFTERS | Shimano Dura Ace disc Di2 |
| SEAT POST | MERIDA TEAM SL, 27.2mm diameter, 15mm setback, Carbon, S-Flex |
| SEAT CLAMP | MERIDA TEAM SL |
| SADDLE | SCRATCH M5 |
| CHAIN | Shimano CN-HG901-11 |

| | |
|-----------------------|------------------------------------------------------------------------------------------------------------------------------------------------------------------------------------------------|
| CHAINWHEEL | Shimano Dura Ace, Power Meter, 52-36 teeth, 165 mm-XXS, 170 mm-XS/S, 172.5 mm-SM/ML, 175 mm-L/XL |
| FREEWHEEL | Shimano CS-9100, 11-30 teeth, 11 speed |
| BOTTOM BRACKET | FSA 386-BB30 PF6000 [SMN FC] |
| WHEELSET | METRON 40 Clincher TL Disc, 100x12mm width front hub, 142x12mm width rear hub, 18mm inner width, 48mm height, Centerlock, material: carbon, Tubeless ready (tubeless tape and valves included) |
| AXLES | MERIDA EXPERT SL |
| SPOKES | attached |
| TIRES | Continental Grand Prix 5000 |



SCULTURA TEAM-E

GLOSSY BLACK/MATT BLACK

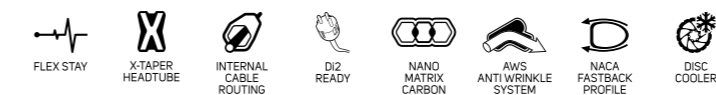
CF4 Super-lite CF4 Disc frame. Aggressive ProTour proven geometry with truncated 'NACA Fastback' profiled down tube and seat tube and slim 11/8" to 11/4" tapered head tube for aerodynamics. BB386 for exceptional power transfer. Narrow profiled seat stays reduce vibration and deliver comfort. Through axles and flat mount rear disc brake with disc cooler technology. Electronic shifting only. Shimano direct mount gear hanger.

| LEISURE | TOUR | ENDURANCE | **RACE** |



| | |
|-----------------------|---------------------------------------------------------------------------------------------------------------------------|
| FRAME | SCULTURA DISC CF4, material: carbon, 700x28C max. wheelsize, 100x12/ 142x12mm axle standard, 386 bottom bracket standard |
| FRAME SIZE | XXS, XS, S, S/M, M/L, L, XL |
| FORK | SCULTURA CF4 disc, 700x28C max. wheelsize |
| BRAKES | Shimano Dura Ace |
| ROTORS | Shimano RT900 |
| HEADSET | FSA NO.44/CF neck |
| HANDLEBAR | FSA K-FORCE COMPACT, material: carbon, 400mm (XXS-XS-S), 420mm (S/M-M/L), 440mm (L-XL) |
| HANDLEBAR STEM | K-Force Light 2.0, 31.8mm diameter, material: aluminium, -6° stem angle, 80 mm-XXS/XS, 90 mm-S, 100 mm-SM/ML, 110 mm-L/XL |
| GRIP | One-Touch |
| DERAILLEUR (F) | Shimano Dura Ace Di2 |
| DERAILLEUR (R) | Shimano Dura Ace Di2, SS |
| SHIFTERS | Shimano Dura Ace disc Di2 |
| SEAT POST | MERIDA TEAM SL, 27.2mm diameter, 15mm setback, Carbon, S-Flex |
| SEAT CLAMP | MERIDA TEAM SL |
| SADDLE | SCRATCH M5 |
| CHAIN | Shimano CN-HG901-11 |

| | |
|-----------------------|------------------------------------------------------------------------------------------------------------------------------------------------------------------------------------------------|
| CHAINWHEEL | Shimano Dura Ace, Power Meter, 52-36 teeth, 165 mm-XXS, 170 mm-XS/S, 172.5 mm-SM/ML, 175 mm-L/XL |
| FREEWHEEL | Shimano CS-9100, 11-30 teeth, 11 speed |
| BOTTOM BRACKET | FSA 386-BB30 PF6000 [SMN FC] |
| WHEELSET | METRON 40 Clincher TL Disc, 100x12mm width front hub, 142x12mm width rear hub, 18mm inner width, 48mm height, Centerlock, material: carbon, Tubeless ready (tubeless tape and valves included) |
| AXLES | MERIDA EXPERT SL |
| SPOKES | attached |
| TIRES | Continental Grand Prix 5000 |



SCULTURA 9000-E

GLOSSY BLACK/MATT BLACK

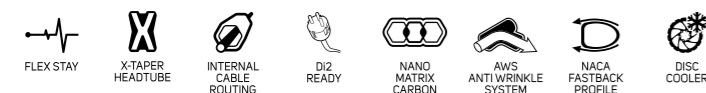
CF4 Super-lite CF4 Disc frame. Aggressive ProTour proven geometry with truncated 'NACA Fastback' profiled down tube and seat tube and slim 1 1/8" to 1 1/4" tapered head tube for aerodynamics. BB386 for exceptional power transfer. Narrow profiled seat stays reduce vibration and deliver comfort. Through axles and flat mount rear disc brake with disc cooler technology. Electronic shifting only. Shimano direct mount gear hanger.

| LEISURE | TOUR | ENDURANCE | **RACE** |



| | |
|-----------------------|--------------------------------------------------------------------------------------------------------------------------|
| FRAME | SCULTURA DISC CF4, material: carbon, 700x28C max. wheelsize, 100x12/ 142x12mm axle standard, 386 bottom bracket standard |
| FRAME SIZE | XXS, XS, S, S/M, M/L, L, XL |
| FORK | SCULTURA CF4 disc, 700x28C max. wheelsize |
| BRAKES | Sram ED Red eTAP AXS |
| ROTORS | Sram DB ROTOR CLX R CNTRLOCK |
| HEADSET | FSA NO.44/CF neck |
| HANDLEBAR | MERIDA Team SL, material: carbon, 380mm (XXS), 400mm (XS-S), 420mm (S/M-M/L-L-XL) |
| HANDLEBAR STEM | MERIDA EXPERT CC, 31.8mm diameter, material: aluminium, -5° stem angle, 80 mm-XXS/XS, 90 mm-S, 100 mm-SM/ML, 110 mm-L/XL |
| GRIP | MERIDA ROAD EXPERT |
| DERAILLEUR (F) | Sram Red eTAP AXS |
| DERAILLEUR (R) | Sram Red eTAP AXS, SS |
| SHIFTERS | Sram Red eTAP AXS HRD |
| SEAT POST | MERIDA TEAM SL, 27.2mm diameter, 15mm setback, Carbon, S-Flex |
| SEAT CLAMP | MERIDA TEAM SL |
| SADDLE | SCRATCH M5 |
| CHAIN | Sram Red chain |

| | |
|----------------------|----------------------------------------------------------------------------------------------------------------------------------------------------------------------------------------------------|
| CHAINWHEEL | Sram Red eTap AXS, Power Meter, 50-37 teeth, 165 mm-XXS, 170 mm-XS/S, 172.5 mm-SM/ML, 175 mm-L/XL |
| FREEWHEEL | CS XG 1290 D1, 10-33 teeth, 12 speed |
| BOTTOM BRAKET | Sram Pressfit Dub, 386 |
| WHEELSET | DT Swiss PRC 1400 Spline DB 35, 100x12mm width front hub, 142x12mm width rear hub, 18mm inner width, 35mm height, Centerlock, material: carbon, Tubeless ready (tubeless tape and valves included) |
| AXLES | MERIDA EXPERT SL |
| SPOKES | attached |
| TIRES | Continental Grand Prix 5000 |



SCULTURA 9000-E

BLACK/GREEN

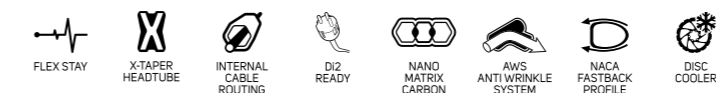
CF4 Super-lite CF4 Disc frame. Aggressive ProTour proven geometry with truncated 'NACA Fastback' profiled down tube and seat tube and slim 1 1/8" to 1 1/4" tapered head tube for aerodynamics. BB386 for exceptional power transfer. Narrow profiled seat stays reduce vibration and deliver comfort. Through axles and flat mount rear disc brake with disc cooler technology. Electronic shifting only. Shimano direct mount gear hanger.

| LEISURE | TOUR | ENDURANCE | **RACE** |



| | |
|-----------------------|--------------------------------------------------------------------------------------------------------------------------|
| FRAME | SCULTURA DISC CF4, material: carbon, 700x28C max. wheelsize, 100x12/ 142x12mm axle standard, 386 bottom bracket standard |
| FRAME SIZE | XXS, XS, S, S/M, M/L, L, XL |
| FORK | SCULTURA CF4 disc, 700x28C max. wheelsize |
| BRAKES | Sram ED Red eTAP AXS |
| ROTORS | Sram DB ROTOR CLX R CNTRLOCK |
| HEADSET | FSA NO.44/CF neck |
| HANDLEBAR | MERIDA Team SL, material: carbon, 380mm (XXS), 400mm (XS-S), 420mm (S/M-M/L-L-XL) |
| HANDLEBAR STEM | MERIDA EXPERT CC, 31.8mm diameter, material: aluminium, -5° stem angle, 80 mm-XXS/XS, 90 mm-S, 100 mm-SM/ML, 110 mm-L/XL |
| GRIP | MERIDA ROAD EXPERT |
| DERAILLEUR (F) | Sram Red eTAP AXS |
| DERAILLEUR (R) | Sram Red eTAP AXS, SS |
| SHIFTERS | Sram Red eTAP AXS HRD |
| SEAT POST | MERIDA TEAM SL, 27.2mm diameter, 15mm setback, Carbon, S-Flex |
| SEAT CLAMP | MERIDA TEAM SL |
| SADDLE | SCRATCH M5 |
| CHAIN | Sram Red chain |

| | |
|----------------------|----------------------------------------------------------------------------------------------------------------------------------------------------------------------------------------------------|
| CHAINWHEEL | Sram Red eTap AXS, Power Meter, 50-37 teeth, 165 mm-XXS, 170 mm-XS/S, 172.5 mm-SM/ML, 175 mm-L/XL |
| FREEWHEEL | CS XG 1290 D1, 10-33 teeth, 12 speed |
| BOTTOM BRAKET | Sram Pressfit Dub, 386 |
| WHEELSET | DT Swiss PRC 1400 Spline DB 35, 100x12mm width front hub, 142x12mm width rear hub, 18mm inner width, 35mm height, Centerlock, material: carbon, Tubeless ready (tubeless tape and valves included) |
| AXLES | MERIDA EXPERT SL |
| SPOKES | attached |
| TIRES | Continental Grand Prix 5000 |



SCULTURA 8000-E

GLOSSY BLACK/MATT BLACK

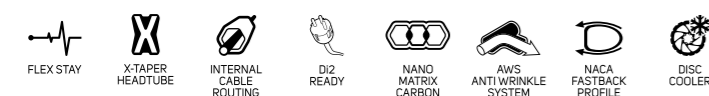
CF4 Super-lite CF4 Disc frame. Aggressive ProTour proven geometry with truncated 'NACA Fastback' profiled down tube and seat tube and slim 11/8" to 11/4" tapered head tube for aerodynamics. BB386 for exceptional power transfer. Narrow profiled seat stays reduce vibration and deliver comfort. Through axles and flat mount rear disc brake with disc cooler technology. Electronic shifting only. Shimano direct mount gear hanger.

| LEISURE | TOUR | ENDURANCE | **RACE** |



| | |
|-----------------------|--------------------------------------------------------------------------------------------------------------------------|
| FRAME | SCULTURA DISC CF4, material: carbon, 700x28C max. wheelsize, 100x12/ 142x12mm axle standard, 386 bottom bracket standard |
| FRAME SIZE | XXS, XS, S, S/M, M/L, L, XL |
| FORK | SCULTURA CF4 disc, 700x28C max. wheelsize |
| BRAKES | Shimano Ultegra |
| ROTORS | Shimano RT800 |
| HEADSET | FSA NO.44/CF neck |
| HANDLEBAR | MERIDA Team SL, material: carbon, 380mm (XXS), 400mm (XS-S), 420mm (S/M-M/L-L-XL) |
| HANDLEBAR STEM | MERIDA EXPERT CC, 31.8mm diameter, material: aluminium, -5° stem angle, 80 mm-XXS/XS, 90 mm-S, 100 mm-SM/ML, 110 mm-L/XL |
| GRIP | MERIDA ROAD EXPERT |
| DERAILLEUR (F) | Shimano Ultegra Di2 |
| DERAILLEUR (R) | Shimano Ultegra Di2, GS |
| SHIFTERS | Shimano Ultegra disc Di2 |
| SEAT POST | MERIDA TEAM SL, 27.2mm diameter, 15mm setback, Carbon, S-Flex |
| SEAT CLAMP | MERIDA TEAM SL |
| SADDLE | SCRATCH M5 |
| CHAIN | KMC X11EL |

| | |
|-----------------------|---------------------------------------------------------------------------------------------------------------------------------------------------------------------------------------|
| CHAINWHEEL | Shimano Ultegra, 52-36 teeth, 165 mm-XXS, 170 mm-XS/S, 172.5 mm-SM/ML, 175 mm-L/XL |
| FREEWHEEL | Shimano CS-R8000, 11-30 teeth, 11 speed |
| BOTTOM BRACKET | FSA 386-BB30 PF6000 [SMN FC] |
| WHEELSET | Reynolds AR 41 DB, 100x12mm width front hub, 142x12mm width rear hub, 21mm inner width, 41mm height, Centerlock, material: carbon, Tubeless ready (tubeless tape and valves included) |
| AXLES | MERIDA EXPERT SL |
| SPOKES | attached |
| TIRES | Continental Grand Sport Race |



SCULTURA 8000-E

BLACK/BLUE

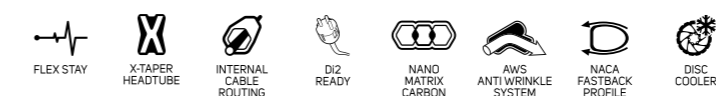
CF4 Super-lite CF4 Disc frame. Aggressive ProTour proven geometry with truncated 'NACA Fastback' profiled down tube and seat tube and slim 11/8" to 11/4" tapered head tube for aerodynamics. BB386 for exceptional power transfer. Narrow profiled seat stays reduce vibration and deliver comfort. Through axles and flat mount rear disc brake with disc cooler technology. Electronic shifting only. Shimano direct mount gear hanger.

| LEISURE | TOUR | ENDURANCE | **RACE** |



| | |
|-----------------------|--------------------------------------------------------------------------------------------------------------------------|
| FRAME | SCULTURA DISC CF4, material: carbon, 700x28C max. wheelsize, 100x12/ 142x12mm axle standard, 386 bottom bracket standard |
| FRAME SIZE | XXS, XS, S, S/M, M/L, L, XL |
| FORK | SCULTURA CF4 disc, 700x28C max. wheelsize |
| BRAKES | Shimano Ultegra |
| ROTORS | Shimano RT800 |
| HEADSET | FSA NO.44/CF neck |
| HANDLEBAR | MERIDA Team SL, material: carbon, 380mm (XXS), 400mm (XS-S), 420mm (S/M-M/L-L-XL) |
| HANDLEBAR STEM | MERIDA EXPERT CC, 31.8mm diameter, material: aluminium, -5° stem angle, 80 mm-XXS/XS, 90 mm-S, 100 mm-SM/ML, 110 mm-L/XL |
| GRIP | MERIDA ROAD EXPERT |
| DERAILLEUR (F) | Shimano Ultegra Di2 |
| DERAILLEUR (R) | Shimano Ultegra Di2, GS |
| SHIFTERS | Shimano Ultegra disc Di2 |
| SEAT POST | MERIDA TEAM SL, 27.2mm diameter, 15mm setback, Carbon, S-Flex |
| SEAT CLAMP | MERIDA TEAM SL |
| SADDLE | SCRATCH M5 |
| CHAIN | KMC X11EL |

| | |
|-----------------------|---------------------------------------------------------------------------------------------------------------------------------------------------------------------------------------|
| CHAINWHEEL | Shimano Ultegra, 52-36 teeth, 165 mm-XXS, 170 mm-XS/S, 172.5 mm-SM/ML, 175 mm-L/XL |
| FREEWHEEL | Shimano CS-R8000, 11-30 teeth, 11 speed |
| BOTTOM BRACKET | FSA 386-BB30 PF6000 [SMN FC] |
| WHEELSET | Reynolds AR 41 DB, 100x12mm width front hub, 142x12mm width rear hub, 21mm inner width, 41mm height, Centerlock, material: carbon, Tubeless ready (tubeless tape and valves included) |
| AXLES | MERIDA EXPERT SL |
| SPOKES | attached |
| TIRES | Continental Grand Sport Race |



SCULTURA 7000-E

GLOSSY BLACK/MATT BLACK

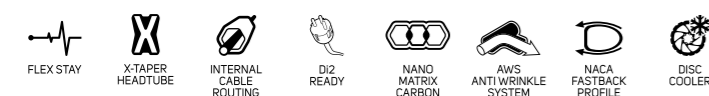
CF2 CF2 frame with more relaxed geometry than the CF4. Truncated 'NACA Fastback' profiled down tube and seat tube for aerodynamics. Tapered 1 1/8" to 1 1/2" head tube for confidence-inspiring handling. Caliper version runs quick release hubs; Disc version has through axle for extra lateral stiffness and complete internal cable routing. Flat mount rear disc brake with disc cooler technology.

| LEISURE | TOUR | ENDURANCE | RACE |



| | |
|-----------------------|-------------------------------------------------------------------------------------------------------------------------------|
| FRAME | SCULTURA DISC CF2, material: carbon, 700x28C max. wheelsize, 100x12/ 142x12mm axle standard, Pressfit bottom bracket standard |
| FRAME SIZE | XXS, XS, S, S/M, M/L, L, XL |
| FORK | SCULTURA CF2 disc, 700x28C max. wheelsize |
| BRAKES | Shimano Ultegra |
| ROTORS | Shimano RT800 |
| HEADSET | MERIDA M2331 Neck |
| HANDLEBAR | MERIDA EXPERT SL, material: aluminium, 380mm(XXS) , 400mm (XS-S) , 420mm (S/M-M/L) , 440mm (L-XL) |
| HANDLEBAR STEM | MERIDA EXPERT CC, 31.8mm diameter, material: aluminium, -5° stem angle, 80 mm-XXS/XS, 90 mm-S, 100 mm-SM/ML, 110 mm-L/XL |
| GRIP | MERIDA ROAD EXPERT |
| DERAILLEUR (F) | Shimano Ultegra Di2 |
| DERAILLEUR (R) | Shimano Ultegra Di2, GS |
| SHIFTERS | Shimano Ultegra disc Di2 |
| SEAT POST | MERIDA EXPERT CC, 27.2mm diameter, 15mm setback, Carbon |
| SEAT CLAMP | MERIDA EXPERT |
| SADDLE | MERIDA EXPERT CC |
| CHAIN | KMC X11 |

| | |
|----------------------|---------------------------------------------------------------------------------------------------------------------------------------------------------------------------------------------------|
| CHAINWHEEL | Shimano Ultegra, 52-36 teeth, 165 mm-XXS, 170 mm-XS/S, 172.5 mm-SM/ML, 175 mm-L/XL |
| FREEWHEEL | Shimano CS-R7000, 11-30 teeth, 11 speed |
| BOTTOM BRAKET | SM-BB72-41B, Pressfit 86.5 |
| WHEELSET | DT Swiss P1800 Spline DB23, 100x12mm width front hub, 142x12mm width rear hub, 18mm inner width, 23mm height, Centerlock, material: aluminium, Tubeless ready (tubeless tape and valves included) |
| AXLES | MERIDA EXPERT SL |
| SPOKES | attached |
| TIRES | Continental Grand Sport Race |



SCULTURA 7000-E

METALLIC BLACK/STEEL BLUE

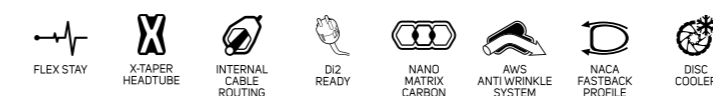
CF2 CF2 frame with more relaxed geometry than the CF4. Truncated 'NACA Fastback' profiled down tube and seat tube for aerodynamics. Tapered 1 1/8" to 1 1/2" head tube for confidence-inspiring handling. Caliper version runs quick release hubs; Disc version has through axle for extra lateral stiffness and complete internal cable routing. Flat mount rear disc brake with disc cooler technology.

| LEISURE | TOUR | ENDURANCE | RACE |



| | |
|-----------------------|-------------------------------------------------------------------------------------------------------------------------------|
| FRAME | SCULTURA DISC CF2, material: carbon, 700x28C max. wheelsize, 100x12/ 142x12mm axle standard, Pressfit bottom bracket standard |
| FRAME SIZE | XXS, XS, S, S/M, M/L, L, XL |
| FORK | SCULTURA CF2 disc, 700x28C max. wheelsize |
| BRAKES | Shimano Ultegra |
| ROTORS | Shimano RT800 |
| HEADSET | MERIDA M2331 Neck |
| HANDLEBAR | MERIDA EXPERT SL, material: aluminium, 380mm(XXS) , 400mm (XS-S) , 420mm (S/M-M/L) , 440mm (L-XL) |
| HANDLEBAR STEM | MERIDA EXPERT CC, 31.8mm diameter, material: aluminium, -5° stem angle, 80 mm-XXS/XS, 90 mm-S, 100 mm-SM/ML, 110 mm-L/XL |
| GRIP | MERIDA ROAD EXPERT |
| DERAILLEUR (F) | Shimano Ultegra Di2 |
| DERAILLEUR (R) | Shimano Ultegra Di2, GS |
| SHIFTERS | Shimano Ultegra disc Di2 |
| SEAT POST | MERIDA EXPERT CC, 27.2mm diameter, 15mm setback, Carbon |
| SEAT CLAMP | MERIDA EXPERT |
| SADDLE | MERIDA EXPERT CC |
| CHAIN | KMC X11 |

| | |
|----------------------|---------------------------------------------------------------------------------------------------------------------------------------------------------------------------------------------------|
| CHAINWHEEL | Shimano Ultegra, 52-36 teeth, 165 mm-XXS, 170 mm-XS/S, 172.5 mm-SM/ML, 175 mm-L/XL |
| FREEWHEEL | Shimano CS-R7000, 11-30 teeth, 11 speed |
| BOTTOM BRAKET | SM-BB72-41B, Pressfit 86.5 |
| WHEELSET | DT Swiss P1800 Spline DB23, 100x12mm width front hub, 142x12mm width rear hub, 18mm inner width, 23mm height, Centerlock, material: aluminium, Tubeless ready (tubeless tape and valves included) |
| AXLES | MERIDA EXPERT SL |
| SPOKES | attached |
| TIRES | Continental Grand Sport Race |



SCULTURA 6000

GLOSSY BLACK/MATT BLACK

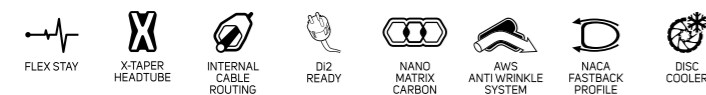
CF2 CF2 frame with more relaxed geometry than the CF4. Truncated 'NACA Fastback' profiled down tube and seat tube for aerodynamics. Tapered 1 1/8" to 1 1/2" head tube for confidence-inspiring handling. Caliper version runs quick release hubs; Disc version has through axle for extra lateral stiffness and complete internal cable routing. Flat mount rear disc brake with disc cooler technology.

| LEISURE | TOUR | ENDURANCE | RACE |



| | |
|-----------------------|-------------------------------------------------------------------------------------------------------------------------------|
| FRAME | SCULTURA DISC CF2, material: carbon, 700x28C max. wheelsize, 100x12/ 142x12mm axle standard, Pressfit bottom bracket standard |
| FRAME SIZE | XXS, XS, S, S/M, M/L, L, XL |
| FORK | SCULTURA CF2 disc, 700x28C max. wheelsize |
| BRAKES | Shimano Ultegra |
| ROTORS | Shimano RT800 |
| HEADSET | MERIDA M2331 Neck |
| HANDLEBAR | MERIDA EXPERT SL, material: aluminium, 380mm(XXS) , 400mm (XS-S) , 420mm (S/M-M/L) , 440mm (L-XL) |
| HANDLEBAR STEM | MERIDA EXPERT CC, 31.8mm diameter, material: aluminium, -5° stem angle, 80 mm-XXS/XS, 90 mm-S, 100 mm-SM/ML, 110 mm-L/XL |
| GRIP | MERIDA ROAD EXPERT |
| DERAILLEUR (F) | Shimano Ultegra |
| DERAILLEUR (R) | Shimano Ultegra, GS |
| SHIFTERS | Shimano Ultegra disc |
| SEAT POST | MERIDA EXPERT CC, 27.2mm diameter, 15mm setback, Carbon |
| SEAT CLAMP | MERIDA EXPERT |
| SADDLE | MERIDA EXPERT CC |
| CHAIN | KMC X11 |

| | |
|-----------------------|--------------------------------------------------------------------------------------------------------------------------------------------------------------------------------------------------|
| CHAINWHEEL | Shimano Ultegra, 50-34 teeth, 165 mm-XXS, 170 mm-XS/S, 172.5 mm-SM/ML, 175 mm-L/XL |
| FREEWHEEL | Shimano CS-R7000, 11-30 teeth, 11 speed |
| BOTTOM BRACKET | SM-BB72-41B, Pressfit 86.5 |
| WHEELSET | Fulcrum Racing 700 DB, 100x12mm width front hub, 142x12mm width rear hub, 19mm inner width, 22mm height, Centerlock, material: aluminium, Tubeless ready (tubeless tape and valves not included) |
| AXLES | MERIDA EXPERT SL |
| SPOKES | attached |
| TIRES | Continental Grand Sport Race |



SCULTURA 6000

DARK SILVER/BURGUNDY RED

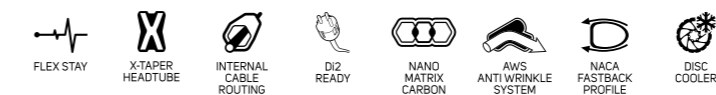
CF2 CF2 frame with more relaxed geometry than the CF4. Truncated 'NACA Fastback' profiled down tube and seat tube for aerodynamics. Tapered 1 1/8" to 1 1/2" head tube for confidence-inspiring handling. Caliper version runs quick release hubs; Disc version has through axle for extra lateral stiffness and complete internal cable routing. Flat mount rear disc brake with disc cooler technology.

| LEISURE | TOUR | ENDURANCE | RACE |



| | |
|-----------------------|-------------------------------------------------------------------------------------------------------------------------------|
| FRAME | SCULTURA DISC CF2, material: carbon, 700x28C max. wheelsize, 100x12/ 142x12mm axle standard, Pressfit bottom bracket standard |
| FRAME SIZE | XXS, XS, S, S/M, M/L, L, XL |
| FORK | SCULTURA CF2 disc, 700x28C max. wheelsize |
| BRAKES | Shimano Ultegra |
| ROTORS | Shimano RT800 |
| HEADSET | MERIDA M2331 Neck |
| HANDLEBAR | MERIDA EXPERT SL, material: aluminium, 380mm(XXS) , 400mm (XS-S) , 420mm (S/M-M/L) , 440mm (L-XL) |
| HANDLEBAR STEM | MERIDA EXPERT CC, 31.8mm diameter, material: aluminium, -5° stem angle, 80 mm-XXS/XS, 90 mm-S, 100 mm-SM/ML, 110 mm-L/XL |
| GRIP | MERIDA ROAD EXPERT |
| DERAILLEUR (F) | Shimano Ultegra |
| DERAILLEUR (R) | Shimano Ultegra, GS |
| SHIFTERS | Shimano Ultegra disc |
| SEAT POST | MERIDA EXPERT CC, 27.2mm diameter, 15mm setback, Carbon |
| SEAT CLAMP | MERIDA EXPERT |
| SADDLE | MERIDA EXPERT CC |
| CHAIN | KMC X11 |

| | |
|-----------------------|--------------------------------------------------------------------------------------------------------------------------------------------------------------------------------------------------|
| CHAINWHEEL | Shimano Ultegra, 50-34 teeth, 165 mm-XXS, 170 mm-XS/S, 172.5 mm-SM/ML, 175 mm-L/XL |
| FREEWHEEL | Shimano CS-R7000, 11-30 teeth, 11 speed |
| BOTTOM BRACKET | SM-BB72-41B, Pressfit 86.5 |
| WHEELSET | Fulcrum Racing 700 DB, 100x12mm width front hub, 142x12mm width rear hub, 19mm inner width, 22mm height, Centerlock, material: aluminium, Tubeless ready (tubeless tape and valves not included) |
| AXLES | MERIDA EXPERT SL |
| SPOKES | attached |
| TIRES | Continental Grand Sport Race |



SCULTURA FORCE-EDITION

GLOSSY BLACK/MATT BLACK

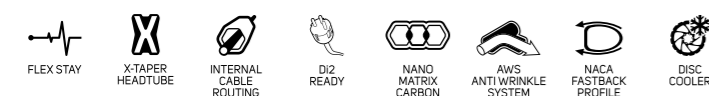
CF2 CF2 frame with more relaxed geometry than the CF4. Truncated 'NACA Fastback' profiled down tube and seat tube for aerodynamics. Tapered 1 1/8" to 1 1/2" head tube for confidence-inspiring handling. Caliper version runs quick release hubs; Disc version has through axle for extra lateral stiffness and complete internal cable routing. Flat mount rear disc brake with disc cooler technology.

| LEISURE | TOUR | ENDURANCE | RACE |



| | |
|-----------------------|-------------------------------------------------------------------------------------------------------------------------------|
| FRAME | SCULTURA DISC CF2, material: carbon, 700x28C max. wheelsize, 100x12/ 142x12mm axle standard, Pressfit bottom bracket standard |
| FRAME SIZE | XXS, XS, S, S/M, M/L, L, XL |
| FORK | SCULTURA CF2 disc, 700x28C max. wheelsize |
| BRAKES | Sram ED Force eTap AXS |
| ROTORS | Sram DB ROTOR CLX R CNTRLOCK |
| HEADSET | MERIDA M2331 Neck |
| HANDLEBAR | MERIDA EXPERT SL, material: aluminium, 380mm(XXS) , 400mm (XS-S) , 420mm (S/M-M/L) , 440mm (L-XL) |
| HANDLEBAR STEM | MERIDA EXPERT CC, 31.8mm diameter, material: aluminium, -5° stem angle, 80 mm-XXS/XS, 90 mm-S, 100 mm-SM/ML, 110 mm-L/XL |
| GRIP | MERIDA ROAD EXPERT |
| DERAILLEUR (F) | Sram Force eTap AXS |
| DERAILLEUR (R) | Sram Force eTap AXS, SS |
| SHIFTERS | Sram Force eTAP AXS HRD |
| SEAT POST | MERIDA EXPERT CC, 27.2mm diameter, 15mm setback, Carbon |
| SEAT CLAMP | MERIDA EXPERT |
| SADDLE | MERIDA EXPERT CC |
| CHAIN | Sram Force chain |

| | |
|----------------------|---------------------------------------------------------------------------------------------------------------------------------------------------------------------------------------|
| CHAINWHEEL | Sram Force eTap AXS, 48-35 teeth, 165 mm-XXS, 170 mm-XS/S, 172.5 mm-SM/ML, 175 mm-L/XL |
| FREEWHEEL | CS XG 1270 D1, 10-33 teeth, 12 speed |
| BOTTOM BRAKET | Sram Pressfit Dub, Presfit 86.5 |
| WHEELSET | Reynolds AR 41 DB, 100x12mm width front hub, 142x12mm width rear hub, 21mm inner width, 41mm height, Centerlock, material: carbon, Tubeless ready (tubeless tape and valves included) |
| AXLES | MERIDA EXPERT SL |
| SPOKES | attached |
| TIRES | Continental Grand Sport Race |



SCULTURA FORCE-EDITION

BLACK/BRONZE

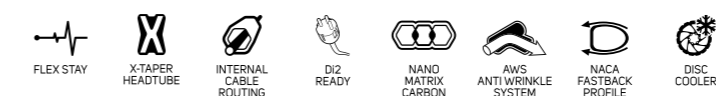
CF2 CF2 frame with more relaxed geometry than the CF4. Truncated 'NACA Fastback' profiled down tube and seat tube for aerodynamics. Tapered 1 1/8" to 1 1/2" head tube for confidence-inspiring handling. Caliper version runs quick release hubs; Disc version has through axle for extra lateral stiffness and complete internal cable routing. Flat mount rear disc brake with disc cooler technology.

| LEISURE | TOUR | ENDURANCE | RACE |



| | |
|-----------------------|-------------------------------------------------------------------------------------------------------------------------------|
| FRAME | SCULTURA DISC CF2, material: carbon, 700x28C max. wheelsize, 100x12/ 142x12mm axle standard, Pressfit bottom bracket standard |
| FRAME SIZE | XXS, XS, S, S/M, M/L, L, XL |
| FORK | SCULTURA CF2 disc, 700x28C max. wheelsize |
| BRAKES | Sram ED Force eTap AXS |
| ROTORS | Sram DB ROTOR CLX R CNTRLOCK |
| HEADSET | MERIDA M2331 Neck |
| HANDLEBAR | MERIDA EXPERT SL, material: aluminium, 380mm(XXS) , 400mm (XS-S) , 420mm (S/M-M/L) , 440mm (L-XL) |
| HANDLEBAR STEM | MERIDA EXPERT CC, 31.8mm diameter, material: aluminium, -5° stem angle, 80 mm-XXS/XS, 90 mm-S, 100 mm-SM/ML, 110 mm-L/XL |
| GRIP | MERIDA ROAD EXPERT |
| DERAILLEUR (F) | Sram Force eTap AXS |
| DERAILLEUR (R) | Sram Force eTap AXS, SS |
| SHIFTERS | Sram Force eTAP AXS HRD |
| SEAT POST | MERIDA EXPERT CC, 27.2mm diameter, 15mm setback, Carbon |
| SEAT CLAMP | MERIDA EXPERT |
| SADDLE | MERIDA EXPERT CC |
| CHAIN | Sram Force chain |

| | |
|----------------------|---------------------------------------------------------------------------------------------------------------------------------------------------------------------------------------|
| CHAINWHEEL | Sram Force eTap AXS, 48-35 teeth, 165 mm-XXS, 170 mm-XS/S, 172.5 mm-SM/ML, 175 mm-L/XL |
| FREEWHEEL | CS XG 1270 D1, 10-33 teeth, 12 speed |
| BOTTOM BRAKET | Sram Pressfit Dub, Presfit 86.5 |
| WHEELSET | Reynolds AR 41 DB, 100x12mm width front hub, 142x12mm width rear hub, 21mm inner width, 41mm height, Centerlock, material: carbon, Tubeless ready (tubeless tape and valves included) |
| AXLES | MERIDA EXPERT SL |
| SPOKES | attached |
| TIRES | Continental Grand Sport Race |



SCULTURA 5000

GLOSSY BLACK/MATT BLACK

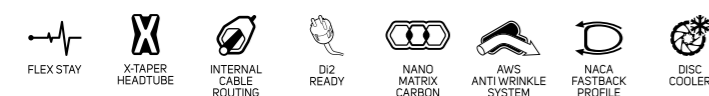
CF2 CF2 frame with more relaxed geometry than the CF4. Truncated 'NACA Fastback' profiled down tube and seat tube for aerodynamics. Tapered 1 1/8" to 1 1/2" head tube for confidence-inspiring handling. Caliper version runs quick release hubs; Disc version has through axle for extra lateral stiffness and complete internal cable routing. Flat mount rear disc brake with disc cooler technology.

| LEISURE | TOUR | ENDURANCE | RACE |



| | |
|-----------------------|-------------------------------------------------------------------------------------------------------------------------------|
| FRAME | SCULTURA DISC CF2, material: carbon, 700x28C max. wheelsize, 100x12/ 142x12mm axle standard, Pressfit bottom bracket standard |
| FRAME SIZE | XXS, XS, S, S/M, M/L, L, XL |
| FORK | SCULTURA CF2 disc, 700x28C max. wheelsize |
| BRAKES | Shimano Ultegra |
| ROTORS | Shimano RT54 |
| HEADSET | MERIDA M2331 Neck |
| HANDLEBAR | MERIDA EXPERT SL, material: aluminium, 380mm(XXS) , 400mm (XS-S) , 420mm (S/M-M/L) , 440mm (L-XL) |
| HANDLEBAR STEM | MERIDA EXPERT CC, 31.8mm diameter, material: aluminium, -5° stem angle, 80 mm-XXS/XS, 90 mm-S, 100 mm-SM/ML, 110 mm-L/XL |
| GRIP | One-Touch |
| DERAILLEUR (F) | Shimano Ultegra |
| DERAILLEUR (R) | Shimano Ultegra, GS |
| SHIFTERS | Shimano Ultegra disc |
| SEAT POST | MERIDA EXPERT CC, 27.2mm diameter, 15mm setback, Carbon |
| SEAT CLAMP | MERIDA EXPERT |
| SADDLE | MERIDA EXPERT CC |
| CHAIN | KMC X11 |

| | |
|-----------------------|------------------------------------------------------------------------------------------------------------------------------|
| CHAINWHEEL | Shimano RS510, 50-34 teeth, 165 mm-XXS, 170 mm-XS/S, 172.5 mm-SM/ML, 175 mm-L/XL |
| FREEWHEEL | Shimano CS-R7000, 11-30 teeth, 11 speed |
| BOTTOM BRACKET | SM-BB71-41B, Pressfit 86.5 |
| RIM | MERIDA EXPERT SL, 17mm inner width, 22mm height, material: aluminium, Tubeless ready (tubeless tape and valves not included) |
| HUBS | VP CLK170F / VP CLK270R |
| AXLES | MERIDA EXPERT SL |
| SPOKES | Double Butted Black stainless |
| TIRES | Continental Ultra Sport III |



SCULTURA 5000

BAHRAIN-MCLAREN TEAM REPLICA

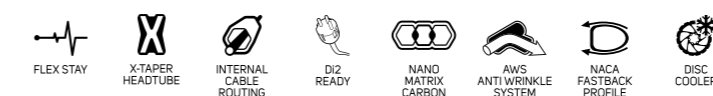
CF2 CF2 frame with more relaxed geometry than the CF4. Truncated 'NACA Fastback' profiled down tube and seat tube for aerodynamics. Tapered 1 1/8" to 1 1/2" head tube for confidence-inspiring handling. Caliper version runs quick release hubs; Disc version has through axle for extra lateral stiffness and complete internal cable routing. Flat mount rear disc brake with disc cooler technology.

| LEISURE | TOUR | ENDURANCE | RACE |



| | |
|-----------------------|-------------------------------------------------------------------------------------------------------------------------------|
| FRAME | SCULTURA DISC CF2, material: carbon, 700x28C max. wheelsize, 100x12/ 142x12mm axle standard, Pressfit bottom bracket standard |
| FRAME SIZE | XXS, XS, S, S/M, M/L, L, XL |
| FORK | SCULTURA CF2 disc, 700x28C max. wheelsize |
| BRAKES | Shimano Ultegra |
| ROTORS | Shimano RT54 |
| HEADSET | MERIDA M2331 Neck |
| HANDLEBAR | MERIDA EXPERT SL, material: aluminium, 380mm(XXS) , 400mm (XS-S) , 420mm (S/M-M/L) , 440mm (L-XL) |
| HANDLEBAR STEM | MERIDA EXPERT CC, 31.8mm diameter, material: aluminium, -5° stem angle, 80 mm-XXS/XS, 90 mm-S, 100 mm-SM/ML, 110 mm-L/XL |
| GRIP | One-Touch |
| DERAILLEUR (F) | Shimano Ultegra |
| DERAILLEUR (R) | Shimano Ultegra, GS |
| SHIFTERS | Shimano Ultegra disc |
| SEAT POST | MERIDA EXPERT CC, 27.2mm diameter, 15mm setback, Carbon |
| SEAT CLAMP | MERIDA EXPERT |
| SADDLE | MERIDA EXPERT CC |
| CHAIN | KMC X11 |

| | |
|-----------------------|------------------------------------------------------------------------------------------------------------------------------|
| CHAINWHEEL | Shimano RS510, 50-34 teeth, 165 mm-XXS, 170 mm-XS/S, 172.5 mm-SM/ML, 175 mm-L/XL |
| FREEWHEEL | Shimano CS-R7000, 11-30 teeth, 11 speed |
| BOTTOM BRACKET | SM-BB71-41B, Pressfit 86.5 |
| RIM | MERIDA EXPERT SL, 17mm inner width, 22mm height, material: aluminium, Tubeless ready (tubeless tape and valves not included) |
| HUBS | VP CLK170F / VP CLK270R |
| AXLES | MERIDA EXPERT SL |
| SPOKES | Double Butted Black stainless |
| TIRES | Continental Ultra Sport III |



SCULTURA 4000

GLOSSY BLACK/MATT BLACK

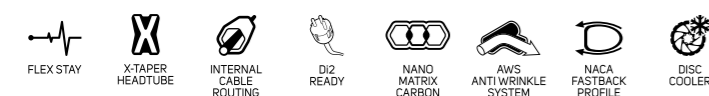
CF2 CF2 frame with more relaxed geometry than the CF4. Truncated 'NACA Fastback' profiled down tube and seat tube for aerodynamics. Tapered 1 1/8" to 1 1/2" head tube for confidence-inspiring handling. Caliper version runs quick release hubs; Disc version has through axle for extra lateral stiffness and complete internal cable routing. Flat mount rear disc brake with disc cooler technology.

| LEISURE | TOUR | ENDURANCE | RACE |



| | |
|-----------------------|-------------------------------------------------------------------------------------------------------------------------------|
| FRAME | SCULTURA DISC CF2, material: carbon, 700x28C max. wheelsize, 100x12/ 142x12mm axle standard, Pressfit bottom bracket standard |
| FRAME SIZE | XXS, XS, S, S/M, M/L, L, XL |
| FORK | SCULTURA CF2 disc, 700x28C max. wheelsize |
| BRAKES | Shimano 105 |
| ROTORS | Shimano RT54 |
| HEADSET | MERIDA M2331 Neck |
| HANDLEBAR | MERIDA EXPERT SL, material: aluminium, 380mm(XXS) , 400mm (XS-S) , 420mm (S/M-M/L) , 440mm (L-XL) |
| HANDLEBAR STEM | MERIDA EXPERT CC, 31.8mm diameter, material: aluminium, -5° stem angle, 80 mm-XXS/XS, 90 mm-S, 100 mm-SM/ML, 110 mm-L/XL |
| GRIP | MERIDA ROAD EXPERT |
| DERAILLEUR (F) | Shimano 105 |
| DERAILLEUR (R) | Shimano 105, GS |
| SHIFTERS | Shimano 105 disc |
| SEAT POST | MERIDA EXPERT CC, 27.2mm diameter, 15mm setback, Carbon |
| SEAT CLAMP | MERIDA EXPERT |
| SADDLE | MERIDA COMP SL, V-mount, incl. MERIDA minitool |
| CHAIN | KMC X11 |

| | |
|-----------------------|------------------------------------------------------------------------------------------------------------------------------|
| CHAINWHEEL | Shimano 105, 50-34 teeth, 165 mm-XXS, 170 mm-XS/S, 172.5 mm-SM/ML, 175 mm-L/XL |
| FREEWHEEL | Shimano CS-R7000, 11-30 teeth, 11 speed |
| BOTTOM BRACKET | SM-BB71-41B, Pressfit 86.5 |
| RIM | MERIDA EXPERT SL, 17mm inner width, 22mm height, material: aluminium, Tubeless ready (tubeless tape and valves not included) |
| HUBS | VP CLK170F / VP CLK270R |
| AXLES | MERIDA EXPERT SL |
| SPOKES | Double Butted Black stainless |
| TIRES | Continental Ultra Sport III |



SCULTURA 4000

BLACK/TEAL-BLUE

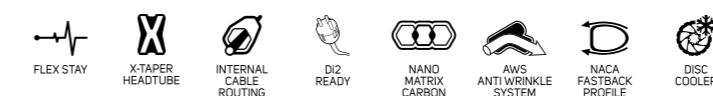
CF2 CF2 frame with more relaxed geometry than the CF4. Truncated 'NACA Fastback' profiled down tube and seat tube for aerodynamics. Tapered 1 1/8" to 1 1/2" head tube for confidence-inspiring handling. Caliper version runs quick release hubs; Disc version has through axle for extra lateral stiffness and complete internal cable routing. Flat mount rear disc brake with disc cooler technology.

| LEISURE | TOUR | ENDURANCE | RACE |



| | |
|-----------------------|-------------------------------------------------------------------------------------------------------------------------------|
| FRAME | SCULTURA DISC CF2, material: carbon, 700x28C max. wheelsize, 100x12/ 142x12mm axle standard, Pressfit bottom bracket standard |
| FRAME SIZE | XXS, XS, S, S/M, M/L, L, XL |
| FORK | SCULTURA CF2 disc, 700x28C max. wheelsize |
| BRAKES | Shimano 105 |
| ROTORS | Shimano RT54 |
| HEADSET | MERIDA M2331 Neck |
| HANDLEBAR | MERIDA EXPERT SL, material: aluminium, 380mm(XXS) , 400mm (XS-S) , 420mm (S/M-M/L) , 440mm (L-XL) |
| HANDLEBAR STEM | MERIDA EXPERT CC, 31.8mm diameter, material: aluminium, -5° stem angle, 80 mm-XXS/XS, 90 mm-S, 100 mm-SM/ML, 110 mm-L/XL |
| GRIP | MERIDA ROAD EXPERT |
| DERAILLEUR (F) | Shimano 105 |
| DERAILLEUR (R) | Shimano 105, GS |
| SHIFTERS | Shimano 105 disc |
| SEAT POST | MERIDA EXPERT CC, 27.2mm diameter, 15mm setback, Carbon |
| SEAT CLAMP | MERIDA EXPERT |
| SADDLE | MERIDA COMP SL, V-mount, incl. MERIDA minitool |
| CHAIN | KMC X11 |

| | |
|-----------------------|------------------------------------------------------------------------------------------------------------------------------|
| CHAINWHEEL | Shimano 105, 50-34 teeth, 165 mm-XXS, 170 mm-XS/S, 172.5 mm-SM/ML, 175 mm-L/XL |
| FREEWHEEL | Shimano CS-R7000, 11-30 teeth, 11 speed |
| BOTTOM BRACKET | SM-BB71-41B, Pressfit 86.5 |
| RIM | MERIDA EXPERT SL, 17mm inner width, 22mm height, material: aluminium, Tubeless ready (tubeless tape and valves not included) |
| HUBS | VP CLK170F / VP CLK270R |
| AXLES | MERIDA EXPERT SL |
| SPOKES | Double Butted Black stainless |
| TIRES | Continental Ultra Sport III |



SCULTURA RIM 4000

GLOSSY BLACK/MATT BLACK

CF2 CF2 frame with more relaxed geometry than the CF4. Truncated 'NACA Fastback' profiled down tube and seat tube for aerodynamics. Tapered 1 1/8" to 1 1/2" head tube for confidence-inspiring handling. Caliper version runs quick release hubs; Disc version has through axle for extra lateral stiffness and complete internal cable routing. Flat mount rear disc brake with disc cooler technology.

| LEISURE | TOUR | ENDURANCE | RACE |



| | |
|-----------------------|---------------------------------------------------------------------------------------------------------------------------------------|
| FRAME | SCULTURA CF2, material: carbon, 700x25C max. wheelsize, 100x9/ 135x9mm axle standard, Pressfit bottom bracket standard |
| FRAME SIZE | 4XS, 3XS, XXS, XS, S, S/M, M/L, L, XL |
| FORK | SCULTURA RIM CF2, 700x25C max. wheelsize |
| BRAKES | Shimano 105 |
| HEADSET | MERIDA M2331 Neck |
| HANDLEBAR | MERIDA EXPERT SL, material: aluminium, 380mm(4XS,3XS,XXS) , 400mm (XS-S) , 420mm (S/M-M/L) , 440mm (L-XL) |
| HANDLEBAR STEM | MERIDA EXPERT CC, 31.8mm diameter, material: aluminium, -5° stem angle, 70 mm-4S/3S, 80 mm-XXS/XS, 90 mm-S, 100 mm-SM/ML, 110 mm-L/XL |
| GRIP | MERIDA ROAD EXPERT |
| DERAILLEUR (F) | Shimano 105 |
| DERAILLEUR (R) | Shimano 105, GS |
| SHIFTERS | Shimano 105 |
| SEAT POST | MERIDA EXPERT CC, 27.2mm diameter, 15mm setback, Carbon |
| SEAT CLAMP | MERIDA EXPERT |
| SADDLE | MERIDA COMP SL, V-mount, incl. MERIDA minitool |
| CHAIN | KMC X11 |
| CHAINWHEEL | Shimano 105, 50-34 teeth, 165 mm-4S/3S/XXS, 170 mm-XS/S, 172.5 mm-SM/ML, 175 mm-L/XL |

| | |
|-----------------------|------------------------------------------------------------------------------------------------------------------------------|
| FREEWHEEL | Shimano CS-R7000, 11-30 teeth, 11 speed |
| BOTTOM BRACKET | SM-BB71-41B, Pressfit 86.5 |
| RIM | MERIDA EXPERT SL, 17mm inner width, 22mm height, material: aluminium, Tubeless ready (tubeless tape and valves not included) |
| HUBS | Road seal bearing |
| AXLES | QR |
| SPOKES | Double Butted Black stainless |
| TIRES | Continental Ultra Sport III |



SCULTURA RIM 4000

BLACK/TEAL-BLUE

CF2 CF2 frame with more relaxed geometry than the CF4. Truncated 'NACA Fastback' profiled down tube and seat tube for aerodynamics. Tapered 1 1/8" to 1 1/2" head tube for confidence-inspiring handling. Caliper version runs quick release hubs; Disc version has through axle for extra lateral stiffness and complete internal cable routing. Flat mount rear disc brake with disc cooler technology.

| LEISURE | TOUR | ENDURANCE | RACE |




| | |
|-----------------------|---------------------------------------------------------------------------------------------------------------------------------------|
| FRAME | SCULTURA CF2, material: carbon, 700x25C max. wheelsize, 100x9/ 135x9mm axle standard, Pressfit bottom bracket standard |
| FRAME SIZE | 4XS, 3XS, XXS, XS, S, S/M, M/L, L, XL |
| FORK | SCULTURA RIM CF2, 700x25C max. wheelsize |
| BRAKES | Shimano 105 |
| HEADSET | MERIDA M2331 Neck |
| HANDLEBAR | MERIDA EXPERT SL, material: aluminium, 380mm(4XS,3XS,XXS) , 400mm (XS-S) , 420mm (S/M-M/L) , 440mm (L-XL) |
| HANDLEBAR STEM | MERIDA EXPERT CC, 31.8mm diameter, material: aluminium, -5° stem angle, 70 mm-4S/3S, 80 mm-XXS/XS, 90 mm-S, 100 mm-SM/ML, 110 mm-L/XL |
| GRIP | MERIDA ROAD EXPERT |
| DERAILLEUR (F) | Shimano 105 |
| DERAILLEUR (R) | Shimano 105, GS |
| SHIFTERS | Shimano 105 |
| SEAT POST | MERIDA EXPERT CC, 27.2mm diameter, 15mm setback, Carbon |
| SEAT CLAMP | MERIDA EXPERT |
| SADDLE | MERIDA COMP SL, V-mount, incl. MERIDA minitool |
| CHAIN | KMC X11 |
| CHAINWHEEL | Shimano 105, 50-34 teeth, 165 mm-4S/3S/XXS, 170 mm-XS/S, 172.5 mm-SM/ML, 175 mm-L/XL |

| | |
|-----------------------|------------------------------------------------------------------------------------------------------------------------------|
| FREEWHEEL | Shimano CS-R7000, 11-30 teeth, 11 speed |
| BOTTOM BRACKET | SM-BB71-41B, Pressfit 86.5 |
| RIM | MERIDA EXPERT SL, 17mm inner width, 22mm height, material: aluminium, Tubeless ready (tubeless tape and valves not included) |
| HUBS | Road seal bearing |
| AXLES | QR |
| SPOKES | Double Butted Black stainless |
| TIRES | Continental Ultra Sport III |



SCULTURA 400

METALLIC BLACK (SILVER)

 **LITE** Lightweight 6066 triple butted aluminium frame with tapered head tube for precise steering and Press-Fit 86 bottom bracket for effective power transfer. Featuring internal cable routing and aero profiled tubing.

| LEISURE | TOUR | ENDURANCE | RACE |




| | |
|-----------------------|-----------------------------------------------------------------------------------------------------------------------------------|
| FRAME | SCULTURA DISC LITE, material: aluminium, 700x28C max. wheelsize, 100x12/ 142x12mm axle standard, Pressfit bottom bracket standard |
| FRAME SIZE | XXS, XS, S, S/M, M/L, L, XL |
| FORK | SCULTURA CF2 disc, 700x28C max. wheelsize |
| BRAKES | Shimano 105 |
| ROTORS | Shimano RT10 |
| HEADSET | MERIDA M2331 Neck |
| HANDLEBAR | MERIDA EXPERT SL, material: aluminium, 380mm(XXS) , 400mm (XS-S) , 420mm (S/M-M/L) , 440mm (L-XL) |
| HANDLEBAR STEM | MERIDA EXPERT CC, 31.8mm diameter, material: aluminium, -5° stem angle, 80 mm-XXS/XS, 90 mm-S, 100 mm-SM/ML, 110 mm-L/XL |
| GRIP | MERIDA ROAD EXPERT |
| DERAILLEUR (F) | Shimano 105 |
| DERAILLEUR (R) | Shimano 105, GS |
| SHIFTERS | Shimano 105 disc |
| SEAT POST | MERIDA EXPERT CC, 27.2mm diameter, 15mm setback, Carbon |
| SEAT CLAMP | MERIDA EXPERT |
| SADDLE | MERIDA COMP SL, V-mount |
| CHAIN | KMC X11 |

| | |
|-----------------------|------------------------------------------------------------------------------------------------------------------------------|
| CHAINWHEEL | Shimano 105, 50-34 teeth, 165 mm-XXS, 170 mm-XS/S, 172.5 mm-SM/ML, 175 mm-L/XL |
| FREEWHEEL | Shimano CS-R7000, 11-30 teeth, 11 speed |
| BOTTOM BRACKET | SM-BB71-41B, Pressfit 86.5 |
| RIM | MERIDA EXPERT SL, 17mm inner width, 22mm height, material: aluminium, Tubeless ready (tubeless tape and valves not included) |
| HUBS | VP CLK170F / VP CLK270R |
| AXLES | MERIDA EXPERT SL |
| SPOKES | Double Butted Black stainless |
| TIRES | Maxxis Pursuer |



SCULTURA 400

GOLDEN RED (GREY)

 **LITE** Lightweight 6066 triple butted aluminium frame with tapered head tube for precise steering and Press-Fit 86 bottom bracket for effective power transfer. Featuring internal cable routing and aero profiled tubing.

| LEISURE | TOUR | ENDURANCE | RACE |




| | |
|-----------------------|-----------------------------------------------------------------------------------------------------------------------------------|
| FRAME | SCULTURA DISC LITE, material: aluminium, 700x28C max. wheelsize, 100x12/ 142x12mm axle standard, Pressfit bottom bracket standard |
| FRAME SIZE | XXS, XS, S, S/M, M/L, L, XL |
| FORK | SCULTURA CF2 disc, 700x28C max. wheelsize |
| BRAKES | Shimano 105 |
| ROTORS | Shimano RT10 |
| HEADSET | MERIDA M2331 Neck |
| HANDLEBAR | MERIDA EXPERT SL, material: aluminium, 380mm(XXS) , 400mm (XS-S) , 420mm (S/M-M/L) , 440mm (L-XL) |
| HANDLEBAR STEM | MERIDA EXPERT CC, 31.8mm diameter, material: aluminium, -5° stem angle, 80 mm-XXS/XS, 90 mm-S, 100 mm-SM/ML, 110 mm-L/XL |
| GRIP | MERIDA ROAD EXPERT |
| DERAILLEUR (F) | Shimano 105 |
| DERAILLEUR (R) | Shimano 105, GS |
| SHIFTERS | Shimano 105 disc |
| SEAT POST | MERIDA EXPERT CC, 27.2mm diameter, 15mm setback, Carbon |
| SEAT CLAMP | MERIDA EXPERT |
| SADDLE | MERIDA COMP SL, V-mount |
| CHAIN | KMC X11 |

| | |
|-----------------------|------------------------------------------------------------------------------------------------------------------------------|
| CHAINWHEEL | Shimano 105, 50-34 teeth, 165 mm-XXS, 170 mm-XS/S, 172.5 mm-SM/ML, 175 mm-L/XL |
| FREEWHEEL | Shimano CS-R7000, 11-30 teeth, 11 speed |
| BOTTOM BRACKET | SM-BB71-41B, Pressfit 86.5 |
| RIM | MERIDA EXPERT SL, 17mm inner width, 22mm height, material: aluminium, Tubeless ready (tubeless tape and valves not included) |
| HUBS | VP CLK170F / VP CLK270R |
| AXLES | MERIDA EXPERT SL |
| SPOKES | Double Butted Black stainless |
| TIRES | Maxxis Pursuer |



SCULTURA RIM 400

METALLIC BLACK (SILVER)

 **LITE** Lightweight 6066 triple butted aluminium frame with tapered head tube for precise steering and Press-Fit 86 bottom bracket for effective power transfer. Featuring internal cable routing and aero profiled tubing.

| LEISURE | TOUR | ENDURANCE | RACE |




| | |
|-----------------------|---------------------------------------------------------------------------------------------------------------------------------------|
| FRAME | SCULTURA LITE, material: aluminium, 700x25C max. wheelsize, 100x9/ 135x9mm axle standard, Pressfit bottom bracket standard |
| FRAME SIZE | 4XS, 3XS, XXS, XS, S, S/M, M/L, L, XL |
| FORK | SCULTURA RIM CF2, 700x25C max. wheelsize |
| BRAKES | Shimano 105 |
| HEADSET | MERIDA M2331 Neck |
| HANDLEBAR | MERIDA EXPERT SL, material: aluminium, 380mm(4XS,3XS,XXS) , 400mm (XS-S) , 420mm (S/M-M/L) , 440mm (L-XL) |
| HANDLEBAR STEM | MERIDA EXPERT CC, 31.8mm diameter, material: aluminium, -5° stem angle, 70 mm-4S/3S, 80 mm-XXS/XS, 90 mm-S, 100 mm-SM/ML, 110 mm-L/XL |
| GRIP | MERIDA ROAD EXPERT |
| DERAILLEUR (F) | Shimano 105 |
| DERAILLEUR (R) | Shimano 105, GS |
| SHIFTERS | Shimano 105 |
| SEAT POST | MERIDA EXPERT CC, 27.2mm diameter, 15mm setback, Carbon |
| SEAT CLAMP | MERIDA EXPERT |
| SADDLE | MERIDA COMP SL, V-mount |
| CHAIN | KMC X11 |
| CHAINWHEEL | Shimano 105, 50-34 teeth, 165 mm-4S/3S/XXS, 170 mm-XS/S, 172.5 mm-SM/ML, 175 mm-L/XL |

| | |
|-----------------------|----------------------------------------------------------------------------------------------------------------------------|
| FREEWHEEL | Shimano CS-R7000, 11-30 teeth, 11 speed |
| BOTTOM BRACKET | SM-BB71-41B, Pressfit 86.5 |
| RIM | MERIDA COMP SL, 17mm inner width, 24mm height, material: aluminium, Tubeless ready (tubeless tape and valves not included) |
| HUBS | Road seal bearing |
| AXLES | QR |
| SPOKES | Double Butted Black stainless |
| TIRES | Maxxis Pursuer |



SCULTURA RIM 400

GOLDEN RED (GREY)

 **LITE** Lightweight 6066 triple butted aluminium frame with tapered head tube for precise steering and Press-Fit 86 bottom bracket for effective power transfer. Featuring internal cable routing and aero profiled tubing.

| LEISURE | TOUR | ENDURANCE | RACE |




| | |
|-----------------------|---------------------------------------------------------------------------------------------------------------------------------------|
| FRAME | SCULTURA LITE, material: aluminium, 700x25C max. wheelsize, 100x9/ 135x9mm axle standard, Pressfit bottom bracket standard |
| FRAME SIZE | 4XS, 3XS, XXS, XS, S, S/M, M/L, L, XL |
| FORK | SCULTURA RIM CF2, 700x25C max. wheelsize |
| BRAKES | Shimano 105 |
| HEADSET | MERIDA M2331 Neck |
| HANDLEBAR | MERIDA EXPERT SL, material: aluminium, 380mm(4XS,3XS,XXS) , 400mm (XS-S) , 420mm (S/M-M/L) , 440mm (L-XL) |
| HANDLEBAR STEM | MERIDA EXPERT CC, 31.8mm diameter, material: aluminium, -5° stem angle, 70 mm-4S/3S, 80 mm-XXS/XS, 90 mm-S, 100 mm-SM/ML, 110 mm-L/XL |
| GRIP | MERIDA ROAD EXPERT |
| DERAILLEUR (F) | Shimano 105 |
| DERAILLEUR (R) | Shimano 105, GS |
| SHIFTERS | Shimano 105 |
| SEAT POST | MERIDA EXPERT CC, 27.2mm diameter, 15mm setback, Carbon |
| SEAT CLAMP | MERIDA EXPERT |
| SADDLE | MERIDA COMP SL, V-mount |
| CHAIN | KMC X11 |
| CHAINWHEEL | Shimano 105, 50-34 teeth, 165 mm-4S/3S/XXS, 170 mm-XS/S, 172.5 mm-SM/ML, 175 mm-L/XL |

| | |
|-----------------------|----------------------------------------------------------------------------------------------------------------------------|
| FREEWHEEL | Shimano CS-R7000, 11-30 teeth, 11 speed |
| BOTTOM BRACKET | SM-BB71-41B, Pressfit 86.5 |
| RIM | MERIDA COMP SL, 17mm inner width, 24mm height, material: aluminium, Tubeless ready (tubeless tape and valves not included) |
| HUBS | Road seal bearing |
| AXLES | QR |
| SPOKES | Double Butted Black stainless |
| TIRES | Maxxis Pursuer |



SCULTURA 300

METALLIC BLACK (SILVER)

 **LITE** Lightweight 6066 triple butted aluminium frame with tapered head tube for precise steering and Press-Fit 86 bottom bracket for effective power transfer. Featuring internal cable routing and aero profiled tubing.

| LEISURE | TOUR | ENDURANCE | RACE |




| | |
|-----------------------|-----------------------------------------------------------------------------------------------------------------------------------|
| FRAME | SCULTURA DISC LITE, material: aluminium, 700x28C max. wheelsize, 100x12/ 142x12mm axle standard, Pressfit bottom bracket standard |
| FRAME SIZE | XXS, XS, S, S/M, M/L, L, XL |
| FORK | SCULTURA CF2 disc, 700x28C max. wheelsize |
| BRAKES | Shimano Tiagra |
| ROTORS | Shimano RT10 |
| HEADSET | MERIDA M2339 Neck |
| HANDLEBAR | MERIDA EXPERT SL, material: aluminium, 380mm(XXS) , 400mm (XS-S) , 420mm (S/M-M/L) , 440mm (L-XL) |
| HANDLEBAR STEM | MERIDA COMP CC, 31.8mm diameter, material: aluminium, -6° stem angle, 80 mm-XXS/XS, 90 mm-S, 100 mm-SM/ML, 110 mm-L/XL |
| GRIP | MERIDA ROAD Comp |
| DERAILLEUR (F) | Shimano Tiagra |
| DERAILLEUR (R) | Shimano Tiagra, GS |
| SHIFTERS | Shimano Tiagra disc |
| SEAT POST | MERIDA COMP CC, 27.2mm diameter, 12mm setback |
| SEAT CLAMP | MERIDA EXPERT |
| SADDLE | MERIDA COMP SL, V-mount |
| CHAIN | KMC X10 |

| | |
|-----------------------|------------------------------------------------------------------------------------------------------------------------------|
| CHAINWHEEL | Shimano Tiagra, 50-34 teeth, 165 mm-XXS, 170 mm-XS/S, 172.5 mm-SM/ML, 175 mm-L/XL |
| FREEWHEEL | Shimano CS-HG500, 12-28 teeth, 10 speed |
| BOTTOM BRACKET | Shimano Pressfit BBRS500-PB |
| RIM | MERIDA EXPERT SL, 17mm inner width, 22mm height, material: aluminium, Tubeless ready (tubeless tape and valves not included) |
| HUBS | VP CLK170F / VP CLK270R |
| AXLES | MERIDA EXPERT SL |
| SPOKES | Black stainless |
| TIRES | Maxxis Pursuer |



SCULTURA 300

SILK BLUE (GREY)

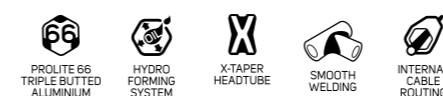
 **LITE** Lightweight 6066 triple butted aluminium frame with tapered head tube for precise steering and Press-Fit 86 bottom bracket for effective power transfer. Featuring internal cable routing and aero profiled tubing.

| LEISURE | TOUR | ENDURANCE | RACE |




| | |
|-----------------------|-----------------------------------------------------------------------------------------------------------------------------------|
| FRAME | SCULTURA DISC LITE, material: aluminium, 700x28C max. wheelsize, 100x12/ 142x12mm axle standard, Pressfit bottom bracket standard |
| FRAME SIZE | XXS, XS, S, S/M, M/L, L, XL |
| FORK | SCULTURA CF2 disc, 700x28C max. wheelsize |
| BRAKES | Shimano Tiagra |
| ROTORS | Shimano RT10 |
| HEADSET | MERIDA M2339 Neck |
| HANDLEBAR | MERIDA EXPERT SL, material: aluminium, 380mm(XXS) , 400mm (XS-S) , 420mm (S/M-M/L) , 440mm (L-XL) |
| HANDLEBAR STEM | MERIDA COMP CC, 31.8mm diameter, material: aluminium, -6° stem angle, 80 mm-XXS/XS, 90 mm-S, 100 mm-SM/ML, 110 mm-L/XL |
| GRIP | MERIDA ROAD Comp |
| DERAILLEUR (F) | Shimano Tiagra |
| DERAILLEUR (R) | Shimano Tiagra, GS |
| SHIFTERS | Shimano Tiagra disc |
| SEAT POST | MERIDA COMP CC, 27.2mm diameter, 12mm setback |
| SEAT CLAMP | MERIDA EXPERT |
| SADDLE | MERIDA COMP SL, V-mount |
| CHAIN | KMC X10 |

| | |
|-----------------------|------------------------------------------------------------------------------------------------------------------------------|
| CHAINWHEEL | Shimano Tiagra, 50-34 teeth, 165 mm-XXS, 170 mm-XS/S, 172.5 mm-SM/ML, 175 mm-L/XL |
| FREEWHEEL | Shimano CS-HG500, 12-28 teeth, 10 speed |
| BOTTOM BRACKET | Shimano Pressfit BBRS500-PB |
| RIM | MERIDA EXPERT SL, 17mm inner width, 22mm height, material: aluminium, Tubeless ready (tubeless tape and valves not included) |
| HUBS | VP CLK170F / VP CLK270R |
| AXLES | MERIDA EXPERT SL |
| SPOKES | Black stainless |
| TIRES | Maxxis Pursuer |



SCULTURA RIM 300

METALLIC BLACK (SILVER)

 **LITE** Lightweight 6066 triple butted aluminium frame with tapered head tube for precise steering and Press-Fit 86 bottom bracket for effective power transfer. Featuring internal cable routing and aero profiled tubing.

| LEISURE | TOUR | ENDURANCE | RACE |




| | |
|-----------------------|-------------------------------------------------------------------------------------------------------------------------------------|
| FRAME | SCULTURA LITE, material: aluminium, 700x25C max. wheelsize, 100x9/ 135x9mm axle standard, Pressfit bottom bracket standard |
| FRAME SIZE | 4XS, 3XS, XXS, XS, S, S/M, M/L, L, XL |
| FORK | SCULTURA RIM CF2, 700x25C max. wheelsize |
| BRAKES | MERIDA ROAD Comp |
| HEADSET | MERIDA M2339 Neck |
| HANDLEBAR | MERIDA EXPERT SL, material: aluminium, 380mm(4XS,3XS,XXS) , 400mm (XS-S) , 420mm (S/M-M/L) , 440mm (L-XL) |
| HANDLEBAR STEM | MERIDA COMP CC, 31.8mm diameter, material: aluminium, -6° stem angle, 70 mm-4S/3S, 80 mm-XXS/XS, 90 mm-S, 100 mm-SM/ML, 110 mm-L/XL |
| GRIP | MERIDA ROAD EXPERT |
| DERAILLEUR (F) | Shimano Tiagra |
| DERAILLEUR (R) | Shimano Tiagra, GS |
| SHIFTERS | Shimano Tiagra |
| SEAT POST | MERIDA COMP CC, 27.2mm diameter, 12mm setback |
| SEAT CLAMP | MERIDA EXPERT |
| SADDLE | MERIDA COMP SL, V-mount |
| CHAIN | KMC X10 |
| CHAINWHEEL | Shimano Tiagra, 50-34 teeth, 165 mm-4S/3S/XXS, 170 mm-XS/S, 172.5 mm-SM/ML, 175 mm-L/XL |

| | |
|-----------------------|----------------------------------------------------------------------------------------------------------------------------|
| FREEWHEEL | Shimano CS-HG500, 12-28 teeth, 10 speed |
| BOTTOM BRACKET | Shimano Pressfit BBRS500-PB |
| RIM | MERIDA COMP SL, 17mm inner width, 24mm height, material: aluminium, Tubeless ready (tubeless tape and valves not included) |
| HUBS | Road seal bearing |
| AXLES | QR |
| SPOKES | Black stainless |
| TIRES | Maxxis Pursuer |



SCULTURA RIM 300

SILK BLUE (GREY)

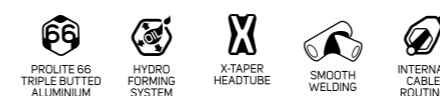
 **LITE** Lightweight 6066 triple butted aluminium frame with tapered head tube for precise steering and Press-Fit 86 bottom bracket for effective power transfer. Featuring internal cable routing and aero profiled tubing.

| LEISURE | TOUR | ENDURANCE | RACE |




| | |
|-----------------------|-------------------------------------------------------------------------------------------------------------------------------------|
| FRAME | SCULTURA LITE, material: aluminium, 700x25C max. wheelsize, 100x9/ 135x9mm axle standard, Pressfit bottom bracket standard |
| FRAME SIZE | 4XS, 3XS, XXS, XS, S, S/M, M/L, L, XL |
| FORK | SCULTURA RIM CF2, 700x25C max. wheelsize |
| BRAKES | MERIDA ROAD Comp |
| HEADSET | MERIDA M2339 Neck |
| HANDLEBAR | MERIDA EXPERT SL, material: aluminium, 380mm(4XS,3XS,XXS) , 400mm (XS-S) , 420mm (S/M-M/L) , 440mm (L-XL) |
| HANDLEBAR STEM | MERIDA COMP CC, 31.8mm diameter, material: aluminium, -6° stem angle, 70 mm-4S/3S, 80 mm-XXS/XS, 90 mm-S, 100 mm-SM/ML, 110 mm-L/XL |
| GRIP | MERIDA ROAD EXPERT |
| DERAILLEUR (F) | Shimano Tiagra |
| DERAILLEUR (R) | Shimano Tiagra, GS |
| SHIFTERS | Shimano Tiagra |
| SEAT POST | MERIDA COMP CC, 27.2mm diameter, 12mm setback |
| SEAT CLAMP | MERIDA EXPERT |
| SADDLE | MERIDA COMP SL, V-mount |
| CHAIN | KMC X10 |
| CHAINWHEEL | Shimano Tiagra, 50-34 teeth, 165 mm-4S/3S/XXS, 170 mm-XS/S, 172.5 mm-SM/ML, 175 mm-L/XL |

| | |
|-----------------------|----------------------------------------------------------------------------------------------------------------------------|
| FREEWHEEL | Shimano CS-HG500, 12-28 teeth, 10 speed |
| BOTTOM BRACKET | Shimano Pressfit BBRS500-PB |
| RIM | MERIDA COMP SL, 17mm inner width, 24mm height, material: aluminium, Tubeless ready (tubeless tape and valves not included) |
| HUBS | Road seal bearing |
| AXLES | QR |
| SPOKES | Black stainless |
| TIRES | Maxxis Pursuer |



SCULTURA 200

METALLIC BLACK (SILVER)

 **LITE** Lightweight 6066 triple butted aluminium frame with tapered head tube for precise steering and Press-Fit 86 bottom bracket for effective power transfer. Featuring internal cable routing and aero profiled tubing.

| LEISURE | TOUR | ENDURANCE | RACE |




| | |
|-----------------------|---------------------------------------------------------------------------------------------------------------------------------------|
| FRAME | SCULTURA DISC LITE BSA, material: aluminium, 700x28C max. wheelsize, 100x12/ 142x12mm axle standard, Pressfit bottom bracket standard |
| FRAME SIZE | XXS, XS, S, S/M, M/L, L, XL |
| FORK | SCULTURA CF2 disc, 700x28C max. wheelsize |
| BRAKES | Promax DSK-330R |
| ROTORS | Promax 160G |
| HEADSET | MERIDA M2339 Neck |
| HANDLEBAR | MERIDA EXPERT SL, material: aluminium, 380mm(XXS) , 400mm (XS-S) , 420mm (S/M-M/L) , 440mm (L-XL) |
| HANDLEBAR STEM | MERIDA COMP CC, 31.8mm diameter, material: aluminium, -6° stem angle, 80 mm-XXS/XS, 90 mm-S, 100 mm-SM/ML, 110 mm-L/XL |
| GRIP | MERIDA ROAD Comp |
| DERAILLEUR (F) | Shimano Sora |
| DERAILLEUR (R) | Shimano Sora, GS |
| SHIFTERS | Shimano Sora |
| SEAT POST | MERIDA COMP CC, 27.2mm diameter, 12mm setback |
| SEAT CLAMP | MERIDA EXPERT |
| SADDLE | MERIDA COMP SL, V-mount |
| CHAIN | KMC M99 |

| | |
|-----------------------|----------------------------------------------------------------------------------------------------------------------------|
| CHAINWHEEL | FSA Omega, 50-34 teeth, 165 mm-XXS, 170 mm-XS/S, 172.5 mm-SM/ML, 175 mm-L/XL |
| FREEWHEEL | Microshift CS-9S, 11-28 teeth, 9 speed |
| BOTTOM BRACKET | FSA Mega Exo BSA |
| RIM | MERIDA COMP SL, 17mm inner width, 22mm height, material: aluminium, Tubeless ready (tubeless tape and valves not included) |
| HUBS | Joytech D791SB / Joytech D142TSE |
| AXLES | MERIDA QR51 12-100 / QR |
| SPOKES | Black stainless |
| TIRES | Maxxis Pursuer |



SCULTURA 200

SILK GREEN (BLACK)

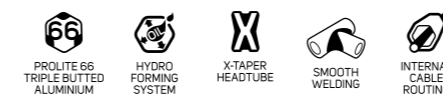
 **LITE** Lightweight 6066 triple butted aluminium frame with tapered head tube for precise steering and Press-Fit 86 bottom bracket for effective power transfer. Featuring internal cable routing and aero profiled tubing.

| LEISURE | TOUR | ENDURANCE | RACE |




| | |
|-----------------------|---------------------------------------------------------------------------------------------------------------------------------------|
| FRAME | SCULTURA DISC LITE BSA, material: aluminium, 700x28C max. wheelsize, 100x12/ 142x12mm axle standard, Pressfit bottom bracket standard |
| FRAME SIZE | XXS, XS, S, S/M, M/L, L, XL |
| FORK | SCULTURA CF2 disc, 700x28C max. wheelsize |
| BRAKES | Promax DSK-330R |
| ROTORS | Promax 160G |
| HEADSET | MERIDA M2339 Neck |
| HANDLEBAR | MERIDA EXPERT SL, material: aluminium, 380mm(XXS) , 400mm (XS-S) , 420mm (S/M-M/L) , 440mm (L-XL) |
| HANDLEBAR STEM | MERIDA COMP CC, 31.8mm diameter, material: aluminium, -6° stem angle, 80 mm-XXS/XS, 90 mm-S, 100 mm-SM/ML, 110 mm-L/XL |
| GRIP | MERIDA ROAD Comp |
| DERAILLEUR (F) | Shimano Sora |
| DERAILLEUR (R) | Shimano Sora, GS |
| SHIFTERS | Shimano Sora |
| SEAT POST | MERIDA COMP CC, 27.2mm diameter, 12mm setback |
| SEAT CLAMP | MERIDA EXPERT |
| SADDLE | MERIDA COMP SL, V-mount |
| CHAIN | KMC M99 |

| | |
|-----------------------|----------------------------------------------------------------------------------------------------------------------------|
| CHAINWHEEL | FSA Omega, 50-34 teeth, 165 mm-XXS, 170 mm-XS/S, 172.5 mm-SM/ML, 175 mm-L/XL |
| FREEWHEEL | Microshift CS-9S, 11-28 teeth, 9 speed |
| BOTTOM BRACKET | FSA Mega Exo BSA |
| RIM | MERIDA COMP SL, 17mm inner width, 22mm height, material: aluminium, Tubeless ready (tubeless tape and valves not included) |
| HUBS | Joytech D791SB / Joytech D142TSE |
| AXLES | MERIDA QR51 12-100 / QR |
| SPOKES | Black stainless |
| TIRES | Maxxis Pursuer |



SCULTURA RIM 100

METALLIC BLACK (SILVER)

 **LITE** Lightweight 6066 triple butted aluminium frame with tapered head tube for precise steering and Press-Fit 86 bottom bracket for effective power transfer. Featuring internal cable routing and aero profiled tubing.

| LEISURE | TOUR | ENDURANCE | RACE |




| | |
|-----------------------|-------------------------------------------------------------------------------------------------------------------------------------|
| FRAME | SCULTURA LITE BSA, material: aluminium, 700x25C max. wheelsize, 100x9/ 135x9mm axle standard, BSA bottom bracket standard |
| FRAME SIZE | 4XS, 3XS, XXS, XS, S, S/M, M/L, L, XL |
| FORK | SCULTURA RIM CF2, 700x25C max. wheelsize |
| BRAKES | Lee Chi ROAD Dual Pivot |
| HEADSET | MERIDA M2341 Neck |
| HANDLEBAR | MERIDA EXPERT SL, material: aluminium, 380mm(4XS,3XS,XXS) , 400mm (XS-S) , 420mm (S/M-M/L) , 440mm (L-XL) |
| HANDLEBAR STEM | MERIDA COMP CC, 31.8mm diameter, material: aluminium, -6° stem angle, 70 mm-4S/3S, 80 mm-XXS/XS, 90 mm-S, 100 mm-SM/ML, 110 mm-L/XL |
| GRIP | MERIDA ROAD Comp |
| DERAILLEUR (F) | Shimano Claris |
| DERAILLEUR (R) | Shimano Claris, GS |
| SHIFTERS | Shimano Claris |
| SEAT POST | MERIDA COMP CC, 27.2mm diameter, 12mm setback |
| SEAT CLAMP | MERIDA EXPERT |
| SADDLE | MERIDA COMP SL, V-mount |
| CHAIN | Sunrace CN-MB4 |
| CHAINWHEEL | FSA Tempo, 50-34 teeth, 165 mm-4S/3S/XXS, 170 mm-XS/S, 172.5 mm-SM/ML, 175 mm-L/XL |

| | |
|-----------------------|----------------------------------------------------------------------------------------|
| FREEWHEEL | Sunrace CS8, 11-28 teeth, 8 speed |
| BOTTOM BRACKET | FSA TH-7420ST, Cartridge Bearing |
| RIM | MERIDA COMP SL, 17mm inner width, 20mm height, material: aluminium, not Tubeless ready |
| HUBS | Road seal bearing |
| AXLES | QR |
| SPOKES | Black stainless |
| TIRES | Maxxis Pursuer |



SCULTURA RIM 100

SILK TITAN (BLACK/GREEN)

 **LITE** Lightweight 6066 triple butted aluminium frame with tapered head tube for precise steering and Press-Fit 86 bottom bracket for effective power transfer. Featuring internal cable routing and aero profiled tubing.

| LEISURE | TOUR | ENDURANCE | RACE |



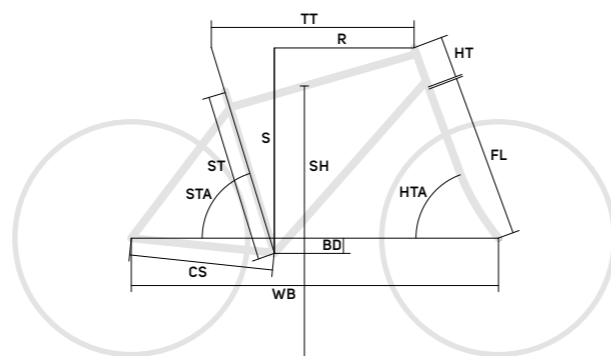
| | |
|-----------------------|-------------------------------------------------------------------------------------------------------------------------------------|
| FRAME | SCULTURA LITE BSA, material: aluminium, 700x25C max. wheelsize, 100x9/ 135x9mm axle standard, BSA bottom bracket standard |
| FRAME SIZE | 4XS, 3XS, XXS, XS, S, S/M, M/L, L, XL |
| FORK | SCULTURA RIM CF2, 700x25C max. wheelsize |
| BRAKES | Lee Chi ROAD Dual Pivot |
| HEADSET | MERIDA M2341 Neck |
| HANDLEBAR | MERIDA EXPERT SL, material: aluminium, 380mm(4XS,3XS,XXS) , 400mm (XS-S) , 420mm (S/M-M/L) , 440mm (L-XL) |
| HANDLEBAR STEM | MERIDA COMP CC, 31.8mm diameter, material: aluminium, -6° stem angle, 70 mm-4S/3S, 80 mm-XXS/XS, 90 mm-S, 100 mm-SM/ML, 110 mm-L/XL |
| GRIP | MERIDA ROAD Comp |
| DERAILLEUR (F) | Shimano Claris |
| DERAILLEUR (R) | Shimano Claris, GS |
| SHIFTERS | Shimano Claris |
| SEAT POST | MERIDA COMP CC, 27.2mm diameter, 12mm setback |
| SEAT CLAMP | MERIDA EXPERT |
| SADDLE | MERIDA COMP SL, V-mount |
| CHAIN | Sunrace CN-MB4 |
| CHAINWHEEL | FSA Tempo, 50-34 teeth, 165 mm-4S/3S/XXS, 170 mm-XS/S, 172.5 mm-SM/ML, 175 mm-L/XL |

| | |
|-----------------------|----------------------------------------------------------------------------------------|
| FREEWHEEL | Sunrace CS8, 11-28 teeth, 8 speed |
| BOTTOM BRACKET | FSA TH-7420ST, Cartridge Bearing |
| RIM | MERIDA COMP SL, 17mm inner width, 20mm height, material: aluminium, not Tubeless ready |
| HUBS | Road seal bearing |
| AXLES | QR |
| SPOKES | Black stainless |
| TIRES | Maxxis Pursuer |



SCULTURA

GEOMETRIES



SCULTURA DISC CF4

| FS Frame Size | XXS (44) | XS (47) | S (50) | S/M (52) | M/L (54) | L (56) | XL (59) |
|-----------------------------|----------|---------|--------|----------|----------|--------|---------|
| TS Tire Size | 28" | 28" | 28" | 28" | 28" | 28" | 28" |
| ST seat tube [mm] | 440 | 470 | 500 | 520 | 540 | 560 | 590 |
| TT top tube [mm] | 510 | 520 | 535 | 545 | 560 | 575 | 590 |
| CS chain stay length [mm] | 408 | 408 | 408 | 408 | 408 | 408 | 408 |
| HTA head tube angle [°] | 71 | 71.5 | 72.5 | 73.5 | 73.5 | 73.5 | 74 |
| STA seat tube angle [°] | 74.5 | 74.5 | 74 | 74 | 73.5 | 73 | 73 |
| BD bottom bracket drop [mm] | 66 | 66 | 66 | 66 | 66 | 66 | 66 |
| HT head tube [mm] | 105 | 115 | 125 | 140 | 155 | 170 | 190 |
| FL fork length [mm] | 371 | 371 | 371 | 371 | 371 | 371 | 371 |
| R reach [mm] | 371 | 377 | 383 | 388 | 394 | 399 | 408 |
| S stack [mm] | 500 | 512 | 524 | 543 | 557 | 571 | 592 |
| WB wheel base [mm] | 974 | 980 | 982 | 983 | 993 | 1003 | 1012 |
| SH stand over height [mm] | 688 | 715 | 740 | 760 | 777 | 794 | 822 |

SCULTURA DISC CF2

| FS Frame Size | XXS (44) | XS (47) | S (50) | S/M (52) | M/L (54) | L (56) | XL (59) |
|-----------------------------|----------|---------|--------|----------|----------|--------|---------|
| TS Tire Size | 28" | 28" | 28" | 28" | 28" | 28" | 28" |
| ST seat tube [mm] | 440 | 470 | 500 | 520 | 540 | 560 | 590 |
| TT top tube [mm] | 515 | 520 | 530 | 545 | 560 | 575 | 590 |
| CS chain stay length [mm] | 408 | 408 | 408 | 408 | 408 | 408 | 408 |
| HTA head tube angle [°] | 71 | 71 | 72 | 73 | 73 | 73 | 73.5 |
| STA seat tube angle [°] | 75 | 74.5 | 74 | 74 | 73.5 | 73 | 73 |
| BD bottom bracket drop [mm] | 66 | 66 | 66 | 66 | 66 | 66 | 66 |
| HT head tube [mm] | 120 | 130 | 140 | 150 | 170 | 190 | 215 |
| FL fork length [mm] | 375 | 375 | 375 | 375 | 375 | 375 | 375 |
| R reach [mm] | 376 | 373 | 375 | 386 | 390 | 394 | 401 |
| S stack [mm] | 519 | 529 | 542 | 555 | 574 | 593 | 619 |
| WB wheel base [mm] | 982 | 983 | 979 | 985 | 998 | 1005 | 1014 |
| SH stand over height [mm] | 701 | 720 | 750 | 769 | 787 | 807 | 836 |

SCULTURA DISC LITE (BSA)

| FS Frame Size | XXS (44) | XS (47) | S (50) | S/M (52) | M/L (54) | L (56) | XL (59) |
|-----------------------------|----------|---------|--------|----------|----------|--------|---------|
| TS Tire Size | 28" | 28" | 28" | 28" | 28" | 28" | 28" |
| ST seat tube [mm] | 440 | 470 | 500 | 520 | 540 | 560 | 590 |
| TT top tube [mm] | 515 | 520 | 530 | 545 | 560 | 575 | 590 |
| CS chain stay length [mm] | 408 | 408 | 408 | 408 | 408 | 408 | 408 |
| HTA head tube angle [°] | 71 | 71 | 72 | 73 | 73 | 73 | 73.5 |
| STA seat tube angle [°] | 75 | 74.5 | 74 | 74 | 73.5 | 73 | 73 |
| BD bottom bracket drop [mm] | 66 | 66 | 66 | 66 | 66 | 66 | 66 |
| HT head tube [mm] | 120 | 130 | 140 | 150 | 170 | 190 | 215 |
| FL fork length [mm] | 374 | 374 | 374 | 374 | 374 | 374 | 374 |
| R reach [mm] | 376 | 373 | 375 | 386 | 390 | 394 | 401 |
| S stack [mm] | 519 | 529 | 542 | 555 | 574 | 593 | 619 |
| WB wheel base [mm] | 982 | 983 | 979 | 985 | 995 | 1005 | 1014 |
| SH stand over height [mm] | 697 | 720 | 744 | 762 | 779 | 798 | 826 |

SCULTURA CF2

| FS Frame Size | 4XS (38) | 3XS (41) | XXS (44) | XS (47) | S (50) | S/M (52) | M/L (54) | L (56) | XL (59) |
|-----------------------------|----------|----------|----------|---------|--------|----------|----------|--------|---------|
| TS Tire Size | 28" | 28" | 28" | 28" | 28" | 28" | 28" | 28" | 28" |
| ST seat tube [mm] | 380 | 410 | 440 | 470 | 500 | 520 | 540 | 560 | 590 |
| TT top tube [mm] | 491 | 500 | 515 | 520 | 530 | 545 | 560 | 575 | 590 |
| CS chain stay length [mm] | 408 | 408 | 408 | 408 | 408 | 408 | 408 | 408 | 408 |
| HTA head tube angle [°] | 70 | 71 | 71 | 71 | 72 | 73 | 73 | 73 | 73.5 |
| STA seat tube angle [°] | 75 | 75 | 75 | 74.5 | 74 | 74 | 73.5 | 73 | 73 |
| BD bottom bracket drop [mm] | 70 | 66 | 66 | 66 | 66 | 66 | 66 | 66 | 66 |
| HT head tube [mm] | 95 | 100 | 120 | 130 | 140 | 150 | 170 | 190 | 215 |
| FL fork length [mm] | 375 | 375 | 375 | 375 | 375 | 375 | 375 | 375 | 375 |
| R reach [mm] | 359 | 367 | 376 | 373 | 375 | 386 | 390 | 394 | 401 |
| S stack [mm] | 493 | 499 | 519 | 529 | 542 | 555 | 574 | 593 | 619 |
| WB wheel base [mm] | 973 | 982 | 982 | 983 | 979 | 985 | 995 | 1005 | 1014 |
| SH stand over height [mm] | 646 | 667 | 697 | 715 | 745 | 764 | 783 | 802 | 830 |

SCULTURA LITE (BSA)

| FS Frame Size | 4XS (38) | 3XS (41) | XXS (44) | XS (47) | S (50) | S/M (52) | M/L (54) | L (56) | XL (59) |
|-----------------------------|----------|----------|----------|---------|--------|----------|----------|--------|---------|
| TS Tire Size | 28" | 28" | 28" | 28" | 28" | 28" | 28" | 28" | 28" |
| ST seat tube [mm] | 380 | 410 | 440 | 470 | 500 | 520 | 540 | 560 | 590 |
| TT top tube [mm] | 490 | 500 | 515 | 520 | 530 | 545 | 560 | 575 | 590 |
| CS chain stay length [mm] | 408 | 408 | 408 | 408 | 408 | 408 | 408 | 408 | 408 |
| HTA head tube angle [°] | 70 | 70.5 | 71 | 71 | 72 | 73 | 73 | 73 | 73.5 |
| STA seat tube angle [°] | 75 | 75 | 75 | 74.5 | 74 | 74 | 73.5 | 73 | 73 |
| BD bottom bracket drop [mm] | 70 | 70 | 66 | 66 | 66 | 66 | 66 | 66 | 66 |
| HT head tube [mm] | 95 | 100 | 120 | 130 | 140 | 150 | 170 | 190 | 215 |
| FL fork length [mm] | 375 | 375 | 375 | 375 | 375 | 375 | 375 | 375 | 375 |
| R reach [mm] | 358 | 366 | 376 | 373 | 375 | 386 | 390 | 394 | 401 |
| S stack [mm] | 492 | 499 | 519 | 529 | 542 | 555 | 574 | 593 | 619 |
| WB wheel base [mm] | 972 | 979 | 982 | 983 | 979 | 985 | 995 | 1005 | 1014 |
| SH stand over height [mm] | 654 | 669 | 697 | 720 | 744 | 762 | 779 | 798 | 826 |

FRAME INTERFACES

| | DISC CF4 | DISC CF2 | DISC LITE | DISC LITE BSA | CF2 | LITE | LITE BSA |
|---------------------------------------------|-------------|-------------------|-------------|----------------|-------------|----------------|----------------|
| MAX. WHEELSIZE | 700Cx28C | 700Cx28C | 700Cx28C | 700Cx28C | 700Cx25C | 700Cx25C | 700Cx25C |
| HEAD TUBE | | | | | | | |
| 11/8" & 1 1/2" | | • | • | • | • | • | • |
| 11/8" & 1 1/4" | • | | | | | | |
| HEADSET | | | | | | | |
| INTEGRATED | • | | | | | | |
| SEMI-INTEGRATED (44-55 mm) | | • | • | • | • | • | • |
| BRAKE STANDARD | | | | | | | |
| FLAT MOUNT 140/160 mm (W COOLER) REAR BRAKE | • | • | • | • | | | |
| FLAT MOUNT 140/160 mm FRONT BRAKE | • | • | • | • | | | |
| RIMBRAKE STANDARD | | | | | • | • | • |
| BB-STANDARD | | | | | | | |
| PF 86 | | • | • | • | • | • | • |
| BB386 | • | | | | | | |
| BSA 68 mm | | | | • | | | • |
| SEATPOST DIAMETER | | | | | | | |
| 27.2 mm | • | • | • | • | • | • | • |
| REAR DROPOUT-STANDARD | | | | | | | |
| QUICK RELEASE 9x130 mm | | | | • | • | • | • |
| THRU AXLE 12x142 mm | • | • | • | | | | |
| FRONT AXLE STANDARD | | | | | | | |
| QUICK RELEASE 9x100 mm | | | | • | • | • | • |
| THRU AXLE 12x100 mm | • | • | • | | | | |
| CABLE ROUTING | | | | | | | |
| INTERNAL SHIFTING CABLES | • | • | • | • | • | • | • |
| INTERNAL BRAKE CABLE | • | • | • | • | • | • | • |
| DI2-READY | • | • | | | • | | |
| FD-STANDARD | | | | | | | |
| BRAZED ON | • | • | • | • | • | • | • |
| FRAME WEIGHT* | 860g | 1150g | 1650g | 1650g | 1100g | 1530g | 1530g |
| FORK WEIGHT | 400g +/- 3% | 420g +/- 3% | 420g +/- 3% | 420g +/- 3% | 420g +/- 3% | 420g +/- 3% | 420g +/- 3% |
| RD HANGER | | DH-054 and DH-065 | | 8317-0000P BLK | E02-0013 | 8317-0000P BLK | 8317-0000P BLK |

* Frame weight only at size M/L (+/- 3%): Without axle, frame protectors, saddle clamp, hanger, steerer cups and cable guides (weight is also depending on the frame color)



SCULTURA ENDURANCE

COMFORT, STYLE AND VERSATILITY

Based on the hugely popular and highly regarded SCULTURA platform, we have created a new addition to our tarmac focused line-up – the SCULTURA ENDURANCE. Offering a modern frame design with a more comfort-orientated geometry, plenty of tyre clearance and seamless integration of the latest standards, the SCULTURA ENDURANCE finds its place in the MERIDA line-up between the SCULTURA on one side and the MISSION CX and the SILEX on the other. Wide tyres offer plenty of comfort, even on the most pothole littered country lanes, while a longer head tube offers a more relaxed riding position. The SCULTURA ENDURANCE is the perfect choice for more leisure-focused cyclists who want to enjoy long hours in the saddle while being comfortable and relaxed on the bike!



1

SEMI INTEGRATED

All control cables like gear and brake cable enter the frame through a specifically shaped headset cap, making the cables almost invisible while also keeping them out of harm's way.

2

ADAPTABILITY

All our SCULTURA ENDURANCE models have the ability to add mudguards, making them more versatile, particularly when used as a training or commuting bike. The removable seat stay bridge stays in place to securely hold the rear mudguard or gets removed for a cleaner look and improved tyre clearance.

5

BOLT THROUGH AXLES

The SCULTURA ENDURANCE frames feature 12 mm bolt through axle front and rear to provide extra frame stiffness. It's also very handy for realigning discs when reinstalling a wheel.

6

CARBON FORK

All SCULTURA ENDURANCE models feature a full carbon tapered fork with a 12 mm bolt through axle. The full carbon construction offers added comfort, and the bolt through improves torsional stiffness of the front wheel. The tapered carbon steerer increases vertical stiffness, providing very precise steering and enhanced confidence in corners.

3

DISC BRAKES

All SCULTURA ENDURANCE models are equipped with disc brakes, providing high-performance braking isolated from the weather and gritty conditions due to their location at the wheel's hub/centre. The SCULTURA ENDURANCE models feature 'Disc Cooler' technology and flat mount brake standard for a neat and flush positioning of the brake caliper.

4

PERSONAL TOOLBOX

Underneath the saddle, we have fitted a small pouch which holds a basic multi-tool. So even if you leave the house without any additional tools, you always have the essential ones on board.

SCULTURA ENDURANCE 7000-E

SILK ANTHRACITE (BLACK)

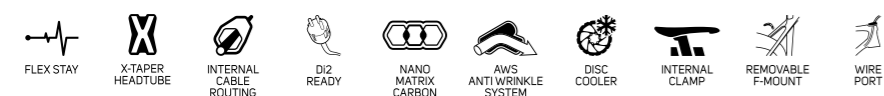
CF3 CF3 frame with more relaxed geometry than the 'classic' SCULTURA. 'Nano Matrix' for extra impact resistance. Oversized 1 1/2" head tube for confidence-inspiring handling. Through axle for extra lateral stiffness and complete internal cable routing. Flat mount rear disc brake with 'Disc Cooler' technology. Removable seat stay bridge and mudguard mounts.

| LEISURE | TOUR | **ENDURANCE** | RACE |



| | |
|-----------------------|----------------------------------------------------------------------------------------------------------------------------------------------------------|
| FRAME | SCULTURA ENDURANCE CF3, material: carbon, 700x35C max./700x32C (with fender) max. wheelsize, 100x12/142x12mm axle standard, BB86 bottom bracket standard |
| FRAME SIZE | XXS, XS, S, M, L, XL |
| FORK | SCULTURA ENDURANCE CF3 DISC, material: carbon, 700x35C max. wheelsize |
| BRAKES | Shimano Ultegra |
| ROTORS | Shimano RT800 |
| HEADSET | MERIDA-8151 Semi integrated HS |
| HANDLEBAR | MERIDA EXPERT SL, material: aluminium, 380mm(XXS), 400mm (XS-S), 420mm (M-L), 440mm (L-XL) |
| HANDLEBAR STEM | MERIDA EXPERT CW, 31.8mm diameter, material: aluminium, -8° stem angle, 80 mm-XXS, 90 mm-XS, 100 mm-S/M, 110 mm-L, 120 mm-XL |
| GRIP | MERIDA ROAD EXPERT |
| DERAILLEUR (F) | Shimano Ultegra Di2 |
| DERAILLEUR (R) | Shimano Ultegra Di2, GS |
| SHIFTERS | Shimano Ultegra disc Di2 |
| SEAT POST | MERIDA EXPERT CC, 27.2mm diameter, 15mm setback, Carbon |
| SEAT CLAMP | MERIDA EXPERT |
| SADDLE | MERIDA EXPERT CC |
| CHAIN | KMC X11 |

| | |
|-----------------------|-------------------------------------------------------------------------------------------------------------------------------------------------------------------------------------------------------------|
| CHAINWHEEL | Shimano Ultegra, 50-34 teeth, 165mm-XXS, 170 mm-XS/S, 172.5 mm-M, 175 mm-L/XL |
| FREEWHEEL | Shimano CS-HG700, 11-34 teeth, 11 speed |
| BOTTOM BRACKET | SM-BB72-41B, Pressfit 86.5 |
| WHEELSET | DT Swiss P1850 Spline DB23, 100x12mm width front hub, 142x12mm width rear hub, 18mm inner width, 23mm height, Centerlock, material: aluminium, Tubeless ready (tubeless tape included, valves not included) |
| AXLES | MERIDA EXPERT SL |
| SPOKES | attached |
| TIRES | Continental Grand Prix 4-Season |



SCULTURA ENDURANCE 7000-E

MATT BLUE (BLACK)

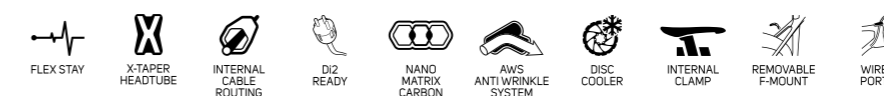
CF3 CF3 frame with more relaxed geometry than the 'classic' SCULTURA. 'Nano Matrix' for extra impact resistance. Oversized 1 1/2" head tube for confidence-inspiring handling. Through axle for extra lateral stiffness and complete internal cable routing. Flat mount rear disc brake with 'Disc Cooler' technology. Removable seat stay bridge and mudguard mounts.

| LEISURE | TOUR | **ENDURANCE** | RACE |



| | |
|-----------------------|----------------------------------------------------------------------------------------------------------------------------------------------------------|
| FRAME | SCULTURA ENDURANCE CF3, material: carbon, 700x35C max./700x32C (with fender) max. wheelsize, 100x12/142x12mm axle standard, BB86 bottom bracket standard |
| FRAME SIZE | XXS, XS, S, M, L, XL |
| FORK | SCULTURA ENDURANCE CF3 DISC, material: carbon, 700x35C max. wheelsize |
| BRAKES | Shimano Ultegra |
| ROTORS | Shimano RT800 |
| HEADSET | MERIDA-8151 Semi integrated HS |
| HANDLEBAR | MERIDA EXPERT SL, material: aluminium, 380mm(XXS), 400mm (XS-S), 420mm (M-L), 440mm (L-XL) |
| HANDLEBAR STEM | MERIDA EXPERT CW, 31.8mm diameter, material: aluminium, -8° stem angle, 80 mm-XXS, 90 mm-XS, 100 mm-S/M, 110 mm-L, 120 mm-XL |
| GRIP | MERIDA ROAD EXPERT |
| DERAILLEUR (F) | Shimano Ultegra Di2 |
| DERAILLEUR (R) | Shimano Ultegra Di2, GS |
| SHIFTERS | Shimano Ultegra disc Di2 |
| SEAT POST | MERIDA EXPERT CC, 27.2mm diameter, 15mm setback, Carbon |
| SEAT CLAMP | MERIDA EXPERT |
| SADDLE | MERIDA EXPERT CC |
| CHAIN | KMC X11 |

| | |
|-----------------------|-------------------------------------------------------------------------------------------------------------------------------------------------------------------------------------------------------------|
| CHAINWHEEL | Shimano Ultegra, 50-34 teeth, 165mm-XXS, 170 mm-XS/S, 172.5 mm-M, 175 mm-L/XL |
| FREEWHEEL | Shimano CS-HG700, 11-34 teeth, 11 speed |
| BOTTOM BRACKET | SM-BB72-41B, Pressfit 86.5 |
| WHEELSET | DT Swiss P1850 Spline DB23, 100x12mm width front hub, 142x12mm width rear hub, 18mm inner width, 23mm height, Centerlock, material: aluminium, Tubeless ready (tubeless tape included, valves not included) |
| AXLES | MERIDA EXPERT SL |
| SPOKES | attached |
| TIRES | Continental Grand Prix 4-Season |



SCULTURA ENDURANCE 6000

SILK ANTHRACITE (BLACK)

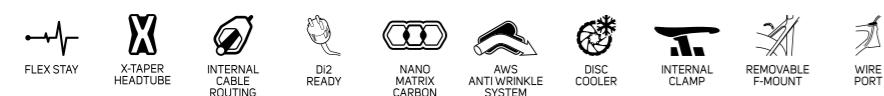
CF3 CF3 frame with more relaxed geometry than the 'classic' SCULTURA. 'Nano Matrix' for extra impact resistance. Oversized 1 1/2" head tube for confidence-inspiring handling. Through axle for extra lateral stiffness and complete internal cable routing. Flat mount rear disc brake with 'Disc Cooler' technology. Removable seat stay bridge and mudguard mounts.

| LEISURE | TOUR | **ENDURANCE** | RACE |



| | |
|-----------------------|----------------------------------------------------------------------------------------------------------------------------------------------------------|
| FRAME | SCULTURA ENDURANCE CF3, material: carbon 700x35C max./700x32C (with fender) max. wheelsize, 100x12/ 142x12mm axle standard, BB86 bottom bracket standard |
| FRAME SIZE | XXS, XS, S, M, L, XL |
| FORK | SCULTURA ENDURANCE CF3 DISC, material: carbon, 700x35C max. wheelsize |
| BRAKES | Shimano Ultegra |
| ROTORS | Shimano RT800 |
| HEADSET | MERIDA-8151 Semi integrated HS |
| HANDLEBAR | MERIDA EXPERT SL, material: aluminium, 380mm(XXS) , 400mm (XS-S) , 420mm (M-L) , 440mm (L-XL) |
| HANDLEBAR STEM | MERIDA EXPERT CW, 31.8mm diameter, material: aluminium, -8° stem angle, 80 mm-XXS, 90 mm-XS, 100 mm-S-M, 110 mm-L, 120 mm-XL |
| GRIP | MERIDA ROAD EXPERT |
| DERAILLEUR (F) | Shimano Ultegra |
| DERAILLEUR (R) | Shimano Ultegra, GS |
| SHIFTERS | Shimano Ultegra disc |
| SEAT POST | MERIDA EXPERT CC, 27.2mm diameter, 15mm setback, Carbon |
| SEAT CLAMP | MERIDA EXPERT |
| SADDLE | MERIDA EXPERT CC |
| CHAIN | KMC X11 |

| | |
|-----------------------|--------------------------------------------------------------------------------------------------------------------------------------------------------------------------------------------------|
| CHAINWHEEL | Shimano Ultegra, 50-34 teeth, 165mm-XXS, 170 mm-XS/S, 172.5 mm-M, 175 mm-L/XL |
| FREEWHEEL | Shimano CS-HG700, 11-34 teeth, 11 speed |
| BOTTOM BRACKET | SM-BB71-41B, Pressfit 86.5 |
| HUBS | attached |
| WHEELSET | Fulcrum Racing 700 DB, 100x12mm width front hub, 142x12mm width rear hub, 19mm inner width, 22mm height, Centerlock, material: aluminium, Tubeless ready (tubeless tape and valves not included) |
| AXLES | MERIDA EXPERT SL |
| TIRES | Maxxis Detonator |



SCULTURA ENDURANCE 6000

GLOSSY RACE RED (BLACK)

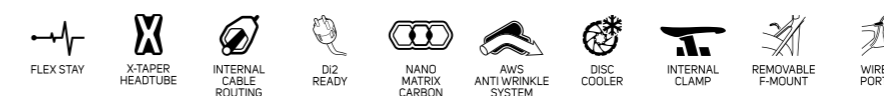
CF3 CF3 frame with more relaxed geometry than the 'classic' SCULTURA. 'Nano Matrix' for extra impact resistance. Oversized 1 1/2" head tube for confidence-inspiring handling. Through axle for extra lateral stiffness and complete internal cable routing. Flat mount rear disc brake with 'Disc Cooler' technology. Removable seat stay bridge and mudguard mounts.

| LEISURE | TOUR | **ENDURANCE** | RACE |



| | |
|-----------------------|----------------------------------------------------------------------------------------------------------------------------------------------------------|
| FRAME | SCULTURA ENDURANCE CF3, material: carbon 700x35C max./700x32C (with fender) max. wheelsize, 100x12/ 142x12mm axle standard, BB86 bottom bracket standard |
| FRAME SIZE | XXS, XS, S, M, L, XL |
| FORK | SCULTURA ENDURANCE CF3 DISC, material: carbon, 700x35C max. wheelsize |
| BRAKES | Shimano Ultegra |
| ROTORS | Shimano RT800 |
| HEADSET | MERIDA-8151 Semi integrated HS |
| HANDLEBAR | MERIDA EXPERT SL, material: aluminium, 380mm(XXS) , 400mm (XS-S) , 420mm (M-L) , 440mm (L-XL) |
| HANDLEBAR STEM | MERIDA EXPERT CW, 31.8mm diameter, material: aluminium, -8° stem angle, 80 mm-XXS, 90 mm-XS, 100 mm-S-M, 110 mm-L, 120 mm-XL |
| GRIP | MERIDA ROAD EXPERT |
| DERAILLEUR (F) | Shimano Ultegra |
| DERAILLEUR (R) | Shimano Ultegra, GS |
| SHIFTERS | Shimano Ultegra disc |
| SEAT POST | MERIDA EXPERT CC, 27.2mm diameter, 15mm setback, Carbon |
| SEAT CLAMP | MERIDA EXPERT |
| SADDLE | MERIDA EXPERT CC |
| CHAIN | KMC X11 |

| | |
|-----------------------|--------------------------------------------------------------------------------------------------------------------------------------------------------------------------------------------------|
| CHAINWHEEL | Shimano Ultegra, 50-34 teeth, 165mm-XXS, 170 mm-XS/S, 172.5 mm-M, 175 mm-L/XL |
| FREEWHEEL | Shimano CS-HG700, 11-34 teeth, 11 speed |
| BOTTOM BRACKET | SM-BB71-41B, Pressfit 86.5 |
| HUBS | attached |
| WHEELSET | Fulcrum Racing 700 DB, 100x12mm width front hub, 142x12mm width rear hub, 19mm inner width, 22mm height, Centerlock, material: aluminium, Tubeless ready (tubeless tape and valves not included) |
| AXLES | MERIDA EXPERT SL |
| TIRES | Maxxis Detonator |





SCULTURA ENDURANCE 5000

SILK ANTHRACITE (BLACK)

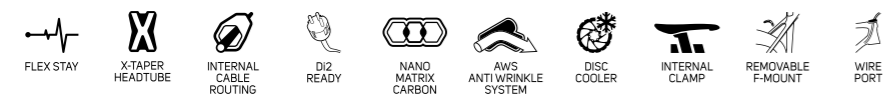
CF3 CF3 frame with more relaxed geometry than the 'classic' SCULTURA. 'Nano Matrix' for extra impact resistance. Oversized 1 1/2" head tube for confidence-inspiring handling. Through axle for extra lateral stiffness and complete internal cable routing. Flat mount rear disc brake with 'Disc Cooler' technology. Removable seat stay bridge and mudguard mounts.

| LEISURE | TOUR | **ENDURANCE** | RACE |



| | |
|-----------------------|----------------------------------------------------------------------------------------------------------------------------------------------------------|
| FRAME | SCULTURA ENDURANCE CF3, material: carbon, 700x35C max./700x32C (with fender) max. wheelsize, 100x12/142x12mm axle standard, BB86 bottom bracket standard |
| FRAME SIZE | XXS, XS, S, M, L, XL |
| FORK | SCULTURA ENDURANCE CF3 DISC, material: carbon, 700x35C max. wheelsize |
| BRAKES | Shimano Ultegra |
| ROTORS | Shimano RT54 |
| HEADSET | MERIDA-8151 Semi integrated HS |
| HANDLEBAR | MERIDA EXPERT SL, material: aluminium, 380mm(XXS), 400mm (XS-S), 420mm (M-L), 440mm (L-XL) |
| HANDLEBAR STEM | MERIDA EXPERT CW, 31.8mm diameter, material: aluminium, -8° stem angle, 80 mm-XXS, 90 mm-XS, 100 mm-S-M, 110 mm-L, 120 mm-XL |
| GRIP | MERIDA ROAD EXPERT |
| DERAILLEUR (F) | Shimano Ultegra |
| DERAILLEUR (R) | Shimano Ultegra, GS |
| SHIFTERS | Shimano Ultegra disc |
| SEAT POST | MERIDA EXPERT CC, 27.2mm diameter, 15mm setback, Carbon |
| SEAT CLAMP | MERIDA EXPERT |
| SADDLE | MERIDA COMP SL, V-mount, incl. MERIDA minitool |
| CHAIN | KMC X11 |

| | |
|-----------------------|------------------------------------------------------------------------------------------------------------------------------|
| CHAINWHEEL | Shimano RS510, 50-34 teeth, 165mm-XXS, 170 mm-XS/S, 172.5 mm-M, 175 mm-L/XL |
| FREEWHEEL | Shimano CS-HG700, 11-34 teeth, 11 speed |
| BOTTOM BRACKET | SM-BB71-41B, Pressfit 86.5 |
| RIM | MERIDA EXPERT SL, 17mm inner width, 22mm height, material: aluminium, Tubeless ready (tubeless tape and valves not included) |
| HUBS | VP CLK170F / VP CLK270R |
| AXLES | MERIDA EXPERT SL |
| SPOKES | Double Butted Black stainless |
| TIRES | Maxxis Detonator |



SCULTURA ENDURANCE 5000

MATT GREEN (BLACK)

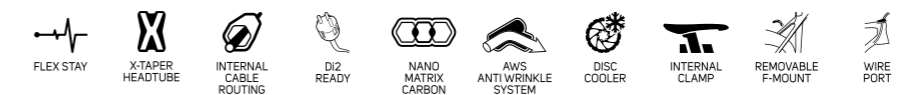
CF3 CF3 frame with more relaxed geometry than the 'classic' SCULTURA. 'Nano Matrix' for extra impact resistance. Oversized 1 1/2" head tube for confidence-inspiring handling. Through axle for extra lateral stiffness and complete internal cable routing. Flat mount rear disc brake with 'Disc Cooler' technology. Removable seat stay bridge and mudguard mounts.

| LEISURE | TOUR | **ENDURANCE** | RACE |



| | |
|-----------------------|----------------------------------------------------------------------------------------------------------------------------------------------------------|
| FRAME | SCULTURA ENDURANCE CF3, material: carbon, 700x35C max./700x32C (with fender) max. wheelsize, 100x12/142x12mm axle standard, BB86 bottom bracket standard |
| FRAME SIZE | XXS, XS, S, M, L, XL |
| FORK | SCULTURA ENDURANCE CF3 DISC, material: carbon, 700x35C max. wheelsize |
| BRAKES | Shimano Ultegra |
| ROTORS | Shimano RT54 |
| HEADSET | MERIDA-8151 Semi integrated HS |
| HANDLEBAR | MERIDA EXPERT SL, material: aluminium, 380mm(XXS), 400mm (XS-S), 420mm (M-L), 440mm (L-XL) |
| HANDLEBAR STEM | MERIDA EXPERT CW, 31.8mm diameter, material: aluminium, -8° stem angle, 80 mm-XXS, 90 mm-XS, 100 mm-S-M, 110 mm-L, 120 mm-XL |
| GRIP | MERIDA ROAD EXPERT |
| DERAILLEUR (F) | Shimano Ultegra |
| DERAILLEUR (R) | Shimano Ultegra, GS |
| SHIFTERS | Shimano Ultegra disc |
| SEAT POST | MERIDA EXPERT CC, 27.2mm diameter, 15mm setback, Carbon |
| SEAT CLAMP | MERIDA EXPERT |
| SADDLE | MERIDA COMP SL, V-mount, incl. MERIDA minitool |
| CHAIN | KMC X11 |

| | |
|-----------------------|------------------------------------------------------------------------------------------------------------------------------|
| CHAINWHEEL | Shimano RS510, 50-34 teeth, 165mm-XXS, 170 mm-XS/S, 172.5 mm-M, 175 mm-L/XL |
| FREEWHEEL | Shimano CS-HG700, 11-34 teeth, 11 speed |
| BOTTOM BRACKET | SM-BB71-41B, Pressfit 86.5 |
| RIM | MERIDA EXPERT SL, 17mm inner width, 22mm height, material: aluminium, Tubeless ready (tubeless tape and valves not included) |
| HUBS | VP CLK170F / VP CLK270R |
| AXLES | MERIDA EXPERT SL |
| SPOKES | Double Butted Black stainless |
| TIRES | Maxxis Detonator |



SCULTURA ENDURANCE 4000

SILK ANTHRACITE (BLACK)

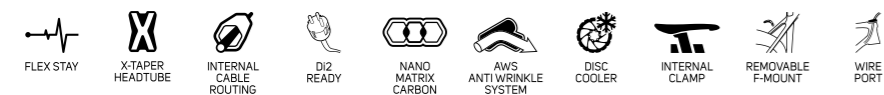
CF3 CF3 frame with more relaxed geometry than the 'classic' SCULTURA. 'Nano Matrix' for extra impact resistance. Oversized 1 1/2" head tube for confidence-inspiring handling. Through axle for extra lateral stiffness and complete internal cable routing. Flat mount rear disc brake with 'Disc Cooler' technology. Removable seat stay bridge and mudguard mounts.

| LEISURE | TOUR | **ENDURANCE** | RACE |



| | |
|-----------------------|----------------------------------------------------------------------------------------------------------------------------------------------------------|
| FRAME | SCULTURA ENDURANCE CF3, material: carbon, 700x35C max./700x32C (with fender) max. wheelsize, 100x12/142x12mm axle standard, BB86 bottom bracket standard |
| FRAME SIZE | XXS, XS, S, M, L, XL |
| FORK | SCULTURA ENDURANCE CF3 DISC, material: carbon, 700x35C max. wheelsize |
| BRAKES | Shimano 105 |
| ROTORS | Shimano RT54 |
| HEADSET | MERIDA-8151 Semi integrated HS |
| HANDLEBAR | MERIDA EXPERT SL, material: aluminium, 380mm(XXS), 400mm (XS-S), 420mm (M-L), 440mm (L-XL) |
| HANDLEBAR STEM | MERIDA EXPERT CW, 31.8mm diameter, material: aluminium, -8° stem angle, 80 mm-XXS, 90 mm-XS, 100 mm-S-M, 110 mm-L, 120 mm-XL |
| GRIP | MERIDA ROAD EXPERT |
| DERAILLEUR (F) | Shimano 105 |
| DERAILLEUR (R) | Shimano 105, GS |
| SHIFTERS | Shimano 105 disc |
| SEAT POST | MERIDA EXPERT CC, 27.2mm diameter, 15mm setback, Carbon |
| SEAT CLAMP | MERIDA EXPERT |
| SADDLE | MERIDA COMP SL, V-mount, incl. MERIDA minitool |
| CHAIN | KMC X11 |

| | |
|-----------------------|------------------------------------------------------------------------------------------------------------------------------|
| CHAINWHEEL | Shimano 105, 50-34 teeth, 165mm-XXS, 170 mm-XS/S, 172.5 mm-M, 175 mm-L/XL |
| FREEWHEEL | Shimano CS-HG700, 11-34 teeth, 11 speed |
| BOTTOM BRACKET | SM-BB71-41B, Pressfit 86.5 |
| RIM | MERIDA EXPERT SL, 17mm inner width, 22mm height, material: aluminium, Tubeless ready (tubeless tape and valves not included) |
| HUBS | VP CLK170F / VP CLK270R |
| AXLES | MERIDA EXPERT SL |
| SPOKES | Double Butted Black stainless |
| TIRES | Maxxis Detonator |



SCULTURA ENDURANCE 4000

BRONZE (BLACK/BROWN-SILVER)

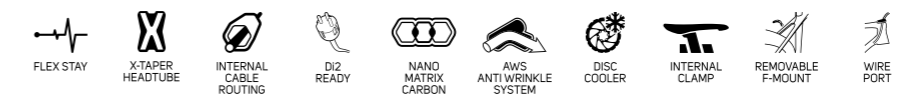
CF3 CF3 frame with more relaxed geometry than the 'classic' SCULTURA. 'Nano Matrix' for extra impact resistance. Oversized 1 1/2" head tube for confidence-inspiring handling. Through axle for extra lateral stiffness and complete internal cable routing. Flat mount rear disc brake with 'Disc Cooler' technology. Removable seat stay bridge and mudguard mounts.

| LEISURE | TOUR | **ENDURANCE** | RACE |



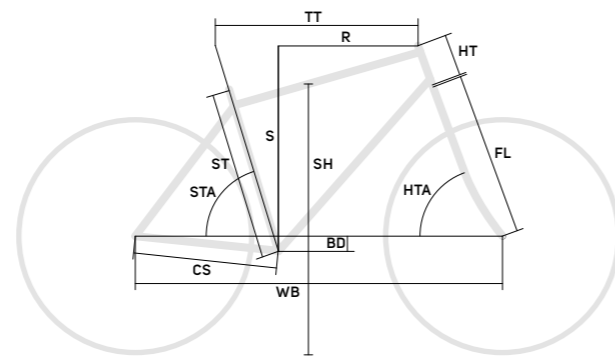
| | |
|-----------------------|----------------------------------------------------------------------------------------------------------------------------------------------------------|
| FRAME | SCULTURA ENDURANCE CF3, material: carbon, 700x35C max./700x32C (with fender) max. wheelsize, 100x12/142x12mm axle standard, BB86 bottom bracket standard |
| FRAME SIZE | XXS, XS, S, M, L, XL |
| FORK | SCULTURA ENDURANCE CF3 DISC, material: carbon, 700x35C max. wheelsize |
| BRAKES | Shimano 105 |
| ROTORS | Shimano RT54 |
| HEADSET | MERIDA-8151 Semi integrated HS |
| HANDLEBAR | MERIDA EXPERT SL, material: aluminium, 380mm(XXS), 400mm (XS-S), 420mm (M-L), 440mm (L-XL) |
| HANDLEBAR STEM | MERIDA EXPERT CW, 31.8mm diameter, material: aluminium, -8° stem angle, 80 mm-XXS, 90 mm-XS, 100 mm-S-M, 110 mm-L, 120 mm-XL |
| GRIP | MERIDA ROAD EXPERT |
| DERAILLEUR (F) | Shimano 105 |
| DERAILLEUR (R) | Shimano 105, GS |
| SHIFTERS | Shimano 105 disc |
| SEAT POST | MERIDA EXPERT CC, 27.2mm diameter, 15mm setback, Carbon |
| SEAT CLAMP | MERIDA EXPERT |
| SADDLE | MERIDA COMP SL, V-mount, incl. MERIDA minitool |
| CHAIN | KMC X11 |

| | |
|-----------------------|------------------------------------------------------------------------------------------------------------------------------|
| CHAINWHEEL | Shimano 105, 50-34 teeth, 165mm-XXS, 170 mm-XS/S, 172.5 mm-M, 175 mm-L/XL |
| FREEWHEEL | Shimano CS-HG700, 11-34 teeth, 11 speed |
| BOTTOM BRACKET | SM-BB71-41B, Pressfit 86.5 |
| RIM | MERIDA EXPERT SL, 17mm inner width, 22mm height, material: aluminium, Tubeless ready (tubeless tape and valves not included) |
| HUBS | VP CLK170F / VP CLK270R |
| AXLES | MERIDA EXPERT SL |
| SPOKES | Double Butted Black stainless |
| TIRES | Maxxis Detonator |



SCULTURA ENDURANCE

GEOMETRIES



SCULTURA ENDURANCE CF3

| FS Frame Size | XXS | XS | S | M | L | XL |
|-----------------------------|------|-----|------|------|------|------|
| TS Tire Size | 28" | 28" | 28" | 28" | 28" | 28" |
| ST seat tube [mm] | 440 | 470 | 490 | 510 | 530 | 560 |
| TT top tube [mm] | 515 | 524 | 538 | 553 | 568 | 583 |
| CS chain stay length [mm] | 418 | 418 | 418 | 418 | 418 | 418 |
| HTA head tube angle [°] | 70.5 | 71 | 72 | 73 | 73 | 73.5 |
| STA seat tube angle [°] | 74 | 74 | 74 | 73.5 | 73.5 | 73.5 |
| BD bottom bracket drop [mm] | 66 | 66 | 66 | 66 | 66 | 66 |
| HT head tube [mm] | 140 | 152 | 161 | 177 | 197 | 222 |
| FL fork length [mm] | 380 | 380 | 380 | 380 | 380 | 380 |
| R reach [mm] | 360 | 366 | 376 | 380 | 389 | 397 |
| S stack [mm] | 539 | 552 | 565 | 584 | 603 | 629 |
| WB wheel base [mm] | 992 | 997 | 1001 | 1001 | 1017 | 1026 |
| SH stand over height [mm] | 742 | 767 | 785 | 803 | 823 | 852 |

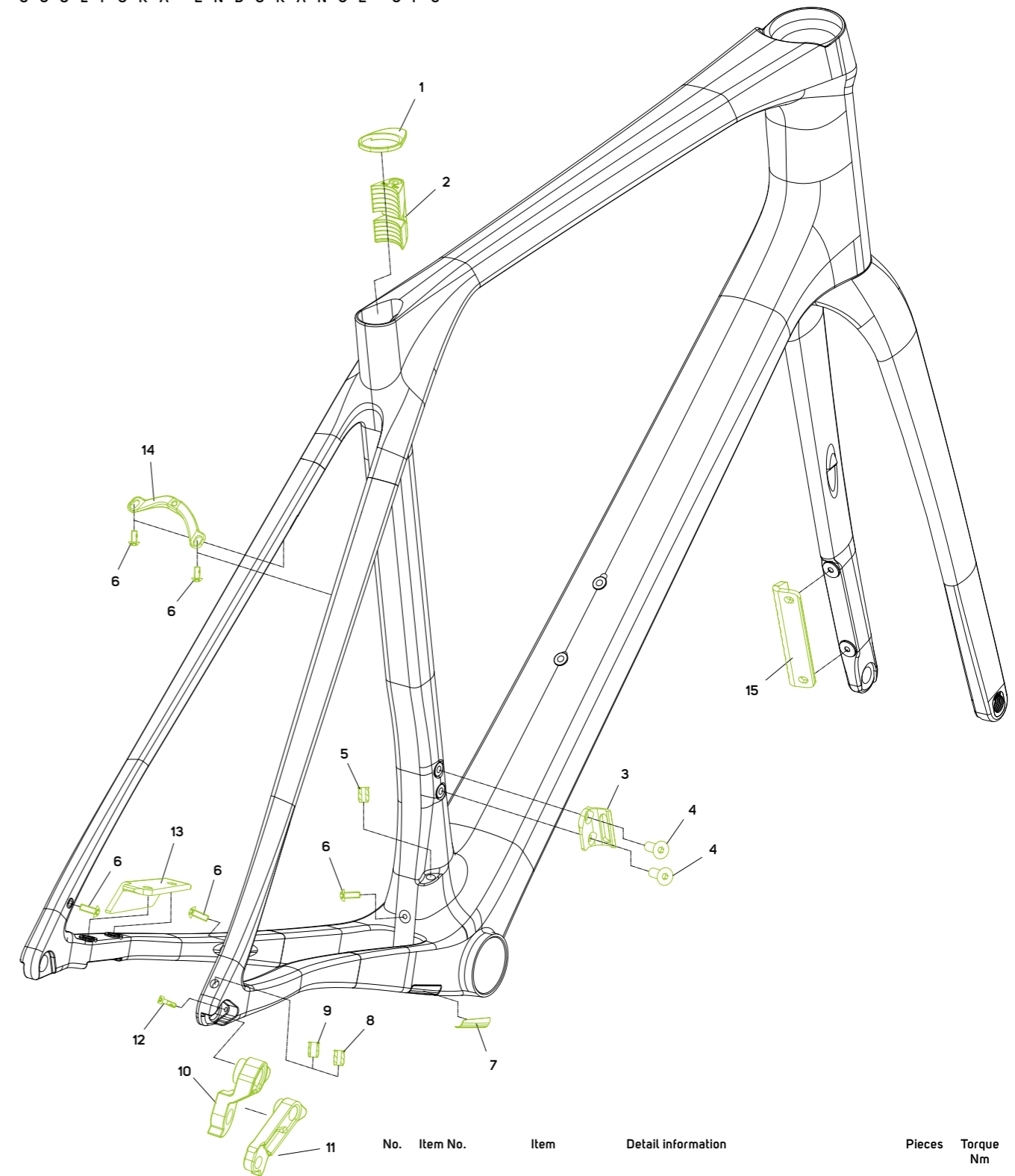


FRAME INTERFACES

| | |
|------------------------------|---------------------------------------------------------------------------------------------------|
| MAX. WHEELSIZE | 35x622 (w/o fender) 32x622 (w fender) |
| HEAD TUBE | 1 1/2" & 1 1/2" |
| HEADSET | INTEGRATED |
| BRAKE STANDARD | FLAT MOUNT 160/180 mm (W COOLER) REAR BRAKE FLAT MOUNT 160/180 mm (W COOLER) FRONT BRAKE |
| BB-STANDARD | PF 86 |
| SEATPOST DIAMETER | 27.2 mm |
| REAR DROPOUT-STANDARD | THRU AXLE 12x142 mm |
| FRONT AXLE STANDARD | THRU AXLE 12x100 mm |
| CABLE ROUTING | INTERNAL SHIFTING CABLES INTERNAL BRAKE CABLE |
| DI2-READY | |
| FD-STANDARD | BRAZED ON |
| FRAME WEIGHT* | 1050g size M +/- 3% |
| FORK WEIGHT | 420g +/- 3% |
| RD HANGER | DH-067 and DH-068 |

* Frame weight only at size M/L (+/- 3%): Without axle, frame protectors, saddle clamp, hanger, steerer cups and cable guides (weight is also depending on the frame color)

SCULTURA ENDURANCE CF3



| No. | Item No. | Item | Detail information | Pieces | Torque Nm |
|-----|------------|------------------------|-------------------------------------------------|--------|-----------|
| 1 | 2347004698 | PLUG | | 1 | |
| 2 | 2247016960 | SEAT CLAMP | | 1 | |
| 3 | 2136001928 | FD MOUNT | | 1 | |
| 4 | 2300002354 | SCREW | | 2 | 5 |
| 5 | 2143003570 | CABLE GUIDE | for Di2 FD | 1 | |
| 6 | 2300013458 | SCREW | | 5 | 4 |
| 7 | 2322003256 | FRAME PROTECTION PLATE | | 1 | |
| 8 | 2143003882 | CABLE GUIDE | for Di2 RD | 1 | |
| 9 | 2143003376 | CABLE GUIDE | for MECHANICAL RD | 1 | |
| 10 | 2311005695 | DROPOUT | DH-068 (STANDARD RD) (see page 609) | 1 | |
| 11 | 2311005684 | DROPOUT | DH-067 (SHIMANO DIRECT MOUNT RD) (see page 609) | 1 | |
| 12 | 2300009458 | SCREW | | 1 | 3 |
| 13 | 2164001773 | DISC COOLER | | 1 | |
| 14 | 2030000310 | FENDER BRIDGE | | 1 | |
| 15 | 2164001762 | DISC COOLER | | 1 | |

TIME WARP

CHEATING THE WIND

The TT-bike of the Bahrain McLaren UCI World-Tour team is called TIME WARP TT. It is the stiffest, lightest and fastest MERIDA time trial bike ever developed. It has been a long process to bring this new weapon which was designed for shaving-off seconds during the fight against the clock to production bike level. Several CFD runs and wind tunnel sessions were required to make the TIME-WARP one of the most aerodynamic bikes in the world. But besides being ultra-effective when it comes to chasing the clock, we wanted to create a bike that is not just the perfect tool for a UCI World-Tour team, but also suitable for Ironman triathlon competitions. We have completed this mission by adding two dedicated TIME WARP TRI triathlon bikes to the line-up, which are based on the TT frame-set used by the Bahrain McLaren World-Tour team.



TIME WARP TT

Besides being used in World-Tour time trials by Team Bahrain McLaren, it is also aimed at all elite and amateur time trialists who are not willing to compromise on their equipment.

TIME WARP TRI

Dedicated for triathlon use, specifically 70.3 Ironman and 226 km full Ironman distance and training.

1

TWO VERSIONS

The main difference in between the TT (time trial) and TRI (triathlon) frames is a differently designed upper-area of head tube and the way the carbon stem of the one-piece cockpit is integrated into the frame. This elongated head tube allows for a slightly more upright and therefore comfortable riding position, ideal for the long distances covered in triathlon events.

2

GO LIGHTER

Besides the aerodynamic performance, we have also reduced the weight through a new improved and optimised carbon fibre lay-up. The overall weight saving is 400 g in comparison to its predecessor.

3

AERO COCKPIT

Both frame-platforms have the identical Metron TT aero cockpit, which is a unique co-development in between MERIDA and Vision. It is as a binding-part of the TIME WARP's total bike concept and the main reason that we were able to shape off 400 grams in total weight from the predecessor's WARP TT frame-kit.

1

5

5

4

2

4

BE SLICKER

We have increased the aerodynamic performance once again by optimising tube shapes even further and integrate exposed cables into the overall frame design. The aerodynamic improvement leads to wattage savings of a further 9 Watts.


5

FLEXIBILITY

The TIME WARP offers outstanding flexibility through the hugely adjustable handlebar and seat post, allowing the rider to adjust the riding position to suit the discipline and course profile.

TIME WARP TRI 10K-E

BLACK/UD/SILVER (RED)

 Made from top-level CF4 carbon fibres with new and improved carbon lay-up for weight and stiffness optimisation. Completely integrated cables and additional wind fairing for the front and rear brake to further reduce the aerodynamic drag.

| COMFORT | ENDURANCE | RACE | TRIATHLON |




| | |
|-----------------------|---------------------------------------------------------------------------------------------------------------------------|
| FRAME | TIME WARP TRI, material: carbon, 700x25C max. wheelsize, 100x9/ 130x9mm axle standard, BB386-PF30 bottom bracket standard |
| FRAME SIZE | S, M, L |
| FORK | TIME WARP TRI CF4, material: carbon, 700x23C max. wheelsize |
| BRAKES | MERIDA TIME WARP TT integrated (front) / MERIDA TIME WARP TT integrated (rear) |
| HEADSET | Meida TIME WARP TT |
| HANDLEBAR | MERIDA Metron TT, material: carbon |
| HANDLEBAR STEM | MERIDA Metron TT, material: carbon, -17° stem angle |
| GRIP | MERIDA ROAD EXPERT |
| DERAILLEUR (F) | Shimano Dura Ace Di2 |
| DERAILLEUR (R) | Shimano Dura Ace Di2, SS |
| SHIFTERS | Shimano Dura Ace disc Di2 |
| SEAT POST | MERIDA TEAM TT, Aero shape, -21/32mm setback, Carbon |
| SEAT CLAMP | TIME WARP TT insert |
| SADDLE | Prologo TGALE TT CPC Neck |
| CHAIN | Shimano CN-HG901-11 |
| CHAINWHEEL | Shimano Dura Ace, 52-36 teeth, power meter |

| | |
|-----------------------|----------------------------------------------------------------------------------------------------------------------------------------------------------------------------------|
| FREEWHEEL | Shimano CS-R8000, 11-28 teeth, 11 speed |
| BOTTOM BRACKET | SM-BB72-41B, Pressfit 86.5 |
| WHEELSET | DT Swiss ARC 1100 Dicut, 110x9mm width front hub, 130x9mm width rear hub, 17mm inner width, 62/80mm height, material: carbon, Tubeless ready (tubeless tape and valves included) |
| AXLES | QR |
| TIRES | Continental Grand Prix 5000 |



TIME WARP TRI LIMITED-E

BLACK/UD/SILVER (GREEN)

 Made from top-level CF4 carbon fibres with new and improved carbon lay-up for weight and stiffness optimisation. Completely integrated cables and additional wind fairing for the front and rear brake to further reduce the aerodynamic drag.

| COMFORT | ENDURANCE | RACE | TRIATHLON |



| | |
|-----------------------|---------------------------------------------------------------------------------------------------------------------------|
| FRAME | TIME WARP TRI, material: carbon, 700x25C max. wheelsize, 100x9/ 130x9mm axle standard, BB386-PF30 bottom bracket standard |
| FRAME SIZE | S, M, L |
| FORK | TIME WARP TRI CF4, material: carbon, 700x23C max. wheelsize |
| BRAKES | MERIDA TIME WARP TT integrated (front) / MERIDA TIME WARP TT integrated (rear) |
| HEADSET | Meida TIME WARP TT |
| HANDLEBAR | MERIDA Metron TT, material: carbon |
| HANDLEBAR STEM | MERIDA Metron TT, material: carbon, -17° stem angle |
| GRIP | MERIDA ROAD EXPERT |
| DERAILLEUR (F) | Shimano Ultegra Di2 |
| DERAILLEUR (R) | Shimano Ultegra Di2, GS |
| SHIFTERS | Shimano Ultegra Di2 |
| SEAT POST | MERIDA TEAM TT, Aero shape, -21/32mm setback, Carbon |
| SEAT CLAMP | TIME WARP TT insert |
| SADDLE | Prologo TGALE TT CPC TIROX |
| CHAIN | KMC X11-1 |
| CHAINWHEEL | Shimano Ultegra, 52-36 teeth |

| | |
|-----------------------|--------------------------------------------------------------------------------------------------------------------------------------------------------------------|
| FREEWHEEL | Shimano CS-R7000, 11-28 teeth, 11 speed |
| BOTTOM BRACKET | SM-BB72-41B, Pressfit 86.5 |
| WHEELSET | Vision 55 SC, 100x9mm width front hub, 130x9mm width rear hub, 19mm inner width, 55mm height, material: carbon, Tubeless ready (tubeless tape and valves included) |
| AXLES | QR |
| TIRES | Continental Grand Sport Race |

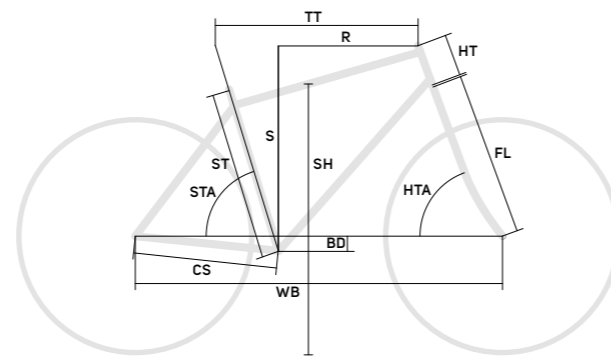


TIME WARP

GEOMETRIES

TIME WARP TRI

| FS Frame Size | S | M | L |
|-----------------------------|-----|------|------|
| TS Tire Size | 28" | 28" | 28" |
| ST seat tube [mm] | 500 | 540 | 580 |
| TT top tube [mm] | 510 | 550 | 570 |
| CS chain stay length [mm] | 415 | 415 | 415 |
| HTA head tube angle [°] | 72 | 72 | 72 |
| STA seat tube angle [°] | 76 | 76 | 76 |
| BD bottom bracket drop [mm] | 55 | 70 | 70 |
| HT head tube [mm] | 135 | 135 | 178 |
| FL fork length [mm] | 366 | 366 | 366 |
| R reach [mm] | 384 | 416 | 430 |
| S stack [mm] | 519 | 533 | 563 |
| WB wheel base [mm] | 987 | 1021 | 1044 |
| SH stand over height [mm] | 776 | 794 | 833 |



FRAME INTERFACES

| | |
|--------------------------------|---------------------------|
| MAX. WHEELSIZE | |
| HEAD TUBE | |
| 11/8" & 11/8" | • |
| HEADSET | |
| INTEGRATED | • |
| BRAKE STANDARD | |
| RIMBRAKE DIREKT MOUNT (CUSTOM) | • |
| BB-STANDARD | |
| BB 86 | • |
| SEATPOST DIAMETER | |
| OTHERS | • |
| REAR DROPOUT-STANDARD | |
| QUICK RELEASE 9x130 mm | • |
| FRONT AXLE STANDARD | |
| QUICK RELEASE 9x100 mm | • |
| CABLE ROUTING | |
| INTERNAL SHIFTING CABLES | • |
| INTERNAL BRAKE CABLE | • |
| D12-READY | • |
| FD-STANDARD | |
| BRAZED ON | • |
| FRAME WEIGHT* | 1421g size M +/- 3% |
| FORK WEIGHT | 448g +/- 3% (incl. cover) |
| RD HANGER | E02-0013 |

*Frame weight only! axle, frame protectors, saddle clamp, hanger, steerer cups and cable guides (weight is also depending on the frame color)



SPEEDER

VERSATILITY MEETS SPEED

Fast and lightweight, the SPEEDER shares its genes with our road bike range. The geometry offers an extended reach for added stability while providing a more upright and comfortable riding position. The sporty, yet comfort inspired geometry paired with control enhancing flat handlebars, and powerful disc brakes make the SPEEDER ideal for fast commuting or fitness rides. Wider tyres and more tyre clearance underline the comfort element even further, but also give the SPEEDER more grip when it counts.



1

SOPHISTICATED FRAME

We use 6066 series aluminium, the highest level generally used in bike production. Its metallic composition allows it to be extensively hydroformed (a process of forcing a hot emulsion of water and oil through tubes in a negative mould). This allows us to vary wall thicknesses and tune the frame to be both strong where it is needed and flexible where required.

2

LET'S GO WIDE

The new SPEEDER has the ability to take up to 37 mm wide tyres, increasing the ride comfort as well as the grip (and therefore safety). Wider tyres also offer improved puncture protection. Even with fenders being fitted, the SPEEDER can still take up to 32 mm wide tyres.

3

CARBON FORKS

All models are equipped with a full carbon tapered fork. Carbon has great vibration absorbing properties in addition to being lightweight, so ride quality is improved. The carbon tapered steerer provides great stiffness to the front end of the bike, delivering precise and confidence-inspiring handling.

4

DISC BRAKES

All SPEEDERs are equipped with hydraulic disc brakes for powerful, easy to modulate and consistent all weather stopping power.

5

INTERNAL CABLE ROUTING

Cables are routed through the frame to keep the look of the bike neat and uncluttered. This also protects the cables from moisture and dirt.


6

COMFORTABLE YET SPORTY GEOMETRY

Since its redesign for the 2020 season, the SPEEDER has become more sporty. By increasing the length of the top tube, we have achieved a slightly longer reach, which offers the rider a more sportive riding position while still being on the comfortable side. Furthermore, this geometry change leads to a longer wheelbase, which has a positive effect on directional stability and in combination with the slightly slacker head tube angle, improves the riding stability at speed.

SPEEDER 900

METALLIC BLACK (SILVER/GOLD)

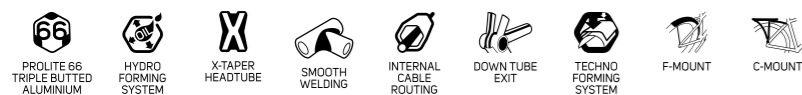
 **LITE** Lightweight 6066 triple butted and hydroformed aluminium frame with smooth welding and internal cable routing. Complete with mudguard and rack mounts.

| URBAN | COMMUTING | LEISURE | FITNESS |




| | |
|-----------------------|------------------------------------------------------------------------------------------------------------------------|
| FRAME | SPEEDER LITE II, material: aluminium, 700x35C max. wheelsize, 100x9/135x9mm axle standard, BSA bottom bracket standard |
| FRAME SIZE | XXS, XS, S, S/M, M/L, L, XL |
| FORK | MERIDA SPEEDER CF2, Tapered, material: carbon, 700x35C max. wheelsize |
| BRAKES | Shimano MT-500 |
| ROTORS | Shimano RT10 |
| HEADSET | MERIDA M2331 Neck, SL-18 |
| HANDLEBAR | MERIDA EXPERT CC, material: aluminium, 600mm width, Flat |
| HANDLEBAR STEM | MERIDA EXPERT CC, material: aluminium, 31.8mm diameter, 5° stem angle, 80 mm-XS, 90 mm-S, 100 mm-SM/ML, 110 mm-L/XL |
| GRIP | MERIDA EXPERT EC |
| DERAILLEUR (F) | Shimano Ultegra |
| DERAILLEUR (R) | Shimano Ultegra, GS |
| SHIFTERS | Shimano SL-RS700 |
| SEAT POST | MERIDA EXPERT CC, material: carbon, 30,9mm diameter, 15mm setback |
| SEAT CLAMP | MERIDA EXPERT |
| SADDLE | MERIDA COMP SL, V-mount, incl. MERIDA minitool |
| PEDAL | VP VPE-891 |

| | |
|-----------------------|------------------------------------------------------------------------|
| CHAIN | KMC X11 |
| CHAINWHEEL | Shimano Ultegra, 50-34 teeth, 170 mm-XS/S, 172,5 mm-SM/ML, 175 mm-L/XL |
| FREEWHEEL | Shimano CS-R7000, 11-32 teeth, 11 speed |
| BOTTOM BRACKET | Shimano BB-RS500 BSA, Shimano Ultegra |
| RIM | MERIDA EXPERT SL, 17mm inner width, 22mm height, material: aluminium |
| HUBS | Joytech D471SBT-SC-CL / Joytech D472TSBT-SC-CL |
| AXLES | QR |
| SPOKES | Double Butted Black stainless |
| TIRES | Maxxis Detonator |



SPEEDER 900

SILK SAND

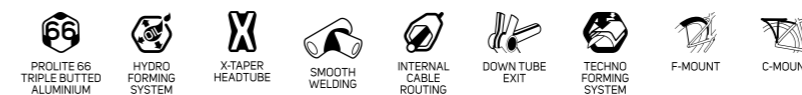
 **LITE** Lightweight 6066 triple butted and hydroformed aluminium frame with smooth welding and internal cable routing. Complete with mudguard and rack mounts.

| URBAN | COMMUTING | LEISURE | FITNESS |




| | |
|-----------------------|------------------------------------------------------------------------------------------------------------------------|
| FRAME | SPEEDER LITE II, material: aluminium, 700x35C max. wheelsize, 100x9/135x9mm axle standard, BSA bottom bracket standard |
| FRAME SIZE | XXS, XS, S, S/M, M/L, L, XL |
| FORK | MERIDA SPEEDER CF2, Tapered, material: carbon, 700x35C max. wheelsize |
| BRAKES | Shimano MT-500 |
| ROTORS | Shimano RT10 |
| HEADSET | MERIDA M2331 Neck, SL-18 |
| HANDLEBAR | MERIDA EXPERT CC, material: aluminium, 600mm width, Flat |
| HANDLEBAR STEM | MERIDA EXPERT CC, material: aluminium, 31.8mm diameter, 5° stem angle, 80 mm-XS, 90 mm-S, 100 mm-SM/ML, 110 mm-L/XL |
| GRIP | MERIDA EXPERT EC |
| DERAILLEUR (F) | Shimano Ultegra |
| DERAILLEUR (R) | Shimano Ultegra, GS |
| SHIFTERS | Shimano SL-RS700 |
| SEAT POST | MERIDA EXPERT CC, material: carbon, 30,9mm diameter, 15mm setback |
| SEAT CLAMP | MERIDA EXPERT |
| SADDLE | MERIDA COMP SL, V-mount, incl. MERIDA minitool |
| PEDAL | VP VPE-891 |

| | |
|-----------------------|------------------------------------------------------------------------|
| CHAIN | KMC X11 |
| CHAINWHEEL | Shimano Ultegra, 50-34 teeth, 170 mm-XS/S, 172,5 mm-SM/ML, 175 mm-L/XL |
| FREEWHEEL | Shimano CS-R7000, 11-32 teeth, 11 speed |
| BOTTOM BRACKET | Shimano BB-RS500 BSA, Shimano Ultegra |
| RIM | MERIDA EXPERT SL, 17mm inner width, 22mm height, material: aluminium |
| HUBS | Joytech D471SBT-SC-CL / Joytech D472TSBT-SC-CL |
| AXLES | QR |
| SPOKES | Double Butted Black stainless |
| TIRES | Maxxis Detonator |



SPEEDER 500

MATT ANTHRACITE (BLUE/BLACK)

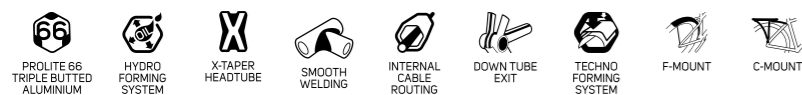
 **LITE** Lightweight 6066 triple butted and hydroformed aluminium frame with smooth welding and internal cable routing. Complete with mudguard and rack mounts.

| URBAN | COMMUTING | LEISURE | FITNESS |




| | |
|-----------------------|------------------------------------------------------------------------------------------------------------------------|
| FRAME | SPEEDER LITE II, material: aluminium, 700x35C max. wheelsize, 100x9/135x9mm axle standard, BSA bottom bracket standard |
| FRAME SIZE | XXS, XS, S, S/M, M/L, L, XL |
| FORK | MERIDA SPEEDER CF2, Tapered, material: carbon, 700x35C max. wheelsize |
| BRAKES | Shimano MT-400 |
| ROTORS | Shimano RT10 |
| HEADSET | MERIDA M2331 Neck |
| HANDLEBAR | MERIDA EXPERT CC, material: aluminium, 600mm width, Flat |
| HANDLEBAR STEM | MERIDA EXPERT CC, material: aluminium, 31.8mm diameter, 5° stem angle, 80 mm-XS, 90 mm-S, 100 mm-SM/ML, 110 mm-L/XL |
| GRIP | MERIDA EXPERT EC |
| DERAILLEUR (F) | Shimano Ultegra |
| DERAILLEUR (R) | Shimano Ultegra, GS |
| SHIFTERS | Shimano SL-RS700 |
| SEAT POST | MERIDA EXPERT CC, material: carbon, 30,9mm diameter, 15mm setback |
| SEAT CLAMP | MERIDA EXPERT |
| SADDLE | MERIDA COMP SL, V-mount |
| PEDAL | VP VPE-891 |

| | |
|-----------------------|---------------------------------------------------------------------|
| CHAIN | KMC X11 |
| CHAINWHEEL | FSA Gossamer, 50-34 teeth, 170 mm-XS/S, 172,5 mm-SM/ML, 175 mm-L/XL |
| FREEWHEEL | Shimano CS-R7000, 11-32 teeth, 11 speed |
| BOTTOM BRACKET | FSA BB-7100 |
| RIM | MERIDA COMP SL, 17mm inner width, 22mm height, material: aluminium |
| HUBS | Joytech D471SBT-SC-CL / Joytech D472TSBT-SC-CL |
| AXLES | QR |
| SPOKES | Black stainless |
| TIRES | Maxxis Detonator |



SPEEDER 500

GLOSSY MOSS GREEN (MATT GREEN)

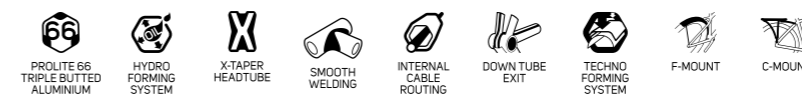
 **LITE** Lightweight 6066 triple butted and hydroformed aluminium frame with smooth welding and internal cable routing. Complete with mudguard and rack mounts.

| URBAN | COMMUTING | LEISURE | FITNESS |




| | |
|-----------------------|------------------------------------------------------------------------------------------------------------------------|
| FRAME | SPEEDER LITE II, material: aluminium, 700x35C max. wheelsize, 100x9/135x9mm axle standard, BSA bottom bracket standard |
| FRAME SIZE | XXS, XS, S, S/M, M/L, L, XL |
| FORK | MERIDA SPEEDER CF2, Tapered, material: carbon, 700x35C max. wheelsize |
| BRAKES | Shimano MT-400 |
| ROTORS | Shimano RT10 |
| HEADSET | MERIDA M2331 Neck |
| HANDLEBAR | MERIDA EXPERT CC, material: aluminium, 600mm width, Flat |
| HANDLEBAR STEM | MERIDA EXPERT CC, material: aluminium, 31.8mm diameter, 5° stem angle, 80 mm-XS, 90 mm-S, 100 mm-SM/ML, 110 mm-L/XL |
| GRIP | MERIDA EXPERT EC |
| DERAILLEUR (F) | Shimano Ultegra |
| DERAILLEUR (R) | Shimano Ultegra, GS |
| SHIFTERS | Shimano SL-RS700 |
| SEAT POST | MERIDA EXPERT CC, material: carbon, 30,9mm diameter, 15mm setback |
| SEAT CLAMP | MERIDA EXPERT |
| SADDLE | MERIDA COMP SL, V-mount |
| PEDAL | VP VPE-891 |

| | |
|-----------------------|---------------------------------------------------------------------|
| CHAIN | KMC X11 |
| CHAINWHEEL | FSA Gossamer, 50-34 teeth, 170 mm-XS/S, 172,5 mm-SM/ML, 175 mm-L/XL |
| FREEWHEEL | Shimano CS-R7000, 11-32 teeth, 11 speed |
| BOTTOM BRACKET | FSA BB-7100 |
| RIM | MERIDA COMP SL, 17mm inner width, 22mm height, material: aluminium |
| HUBS | Joytech D471SBT-SC-CL / Joytech D472TSBT-SC-CL |
| AXLES | QR |
| SPOKES | Black stainless |
| TIRES | Maxxis Detonator |



SPEEDER 400

MATT BLACK (GLOSSY BLACK)

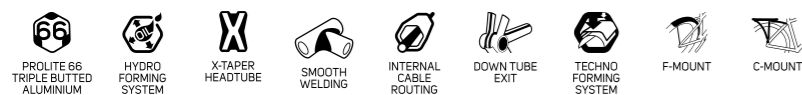
 **LITE** Lightweight 6066 triple butted and hydroformed aluminium frame with smooth welding and internal cable routing. Complete with mudguard and rack mounts.

| URBAN | COMMUTING | LEISURE | FITNESS |




| | |
|-----------------------|------------------------------------------------------------------------------------------------------------------------|
| FRAME | SPEEDER LITE II, material: aluminium, 700x35C max. wheelsize, 100x9/135x9mm axle standard, BSA bottom bracket standard |
| FRAME SIZE | XXS, XS, S, S/M, M/L, L, XL |
| FORK | MERIDA SPEEDER CF2, Tapered, material: carbon, 700x35C max. wheelsize |
| BRAKES | Tektro M275 |
| ROTORS | Shimano RT10 |
| HEADSET | MERIDA M2331 Neck |
| HANDLEBAR | MERIDA EXPERT CC, material: aluminium, 600mm width, Flat |
| HANDLEBAR STEM | MERIDA EXPERT CC, material: aluminium, 31.8mm diameter, 5° stem angle, 80 mm-XS, 90 mm-S, 100 mm-SM/ML, 110 mm-L/XL |
| GRIP | MERIDA EXPERT EC |
| DERAILLEUR (F) | Shimano 105 |
| DERAILLEUR (R) | Shimano 105, GS |
| SHIFTERS | Shimano SL-RS700 |
| SEAT POST | MERIDA COMP CC, material: aluminium, 30.9mm diameter, 12mm setback |
| SEAT CLAMP | MERIDA EXPERT |
| SADDLE | MERIDA COMP SL, V-mount |
| PEDAL | VP VPE-891 |

| | |
|-----------------------|--------------------------------------------------------------------|
| CHAIN | KMC X11 |
| CHAINWHEEL | Shimano 105, 50-34 teeth, 170 mm-XS/S, 172,5 mm-SM/ML, 175 mm-L/XL |
| FREEWHEEL | Shimano CS-R7000, 11-32 teeth, 11 speed |
| BOTTOM BRACKET | Shimano BB-RS500 BSA |
| RIM | MERIDA COMP SL, 17mm inner width, 22mm height, material: aluminium |
| HUBS | Joytech D471SBT-SC-CL / Joytech D472TSBT-SC-CL |
| AXLES | QR |
| SPOKES | Black stainless |
| TIRES | Maxxis Detonator |



SPEEDER 400

SILK TEAL (LIME/BLACK)

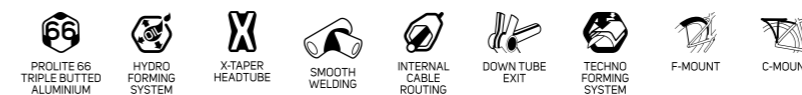
 **LITE** Lightweight 6066 triple butted and hydroformed aluminium frame with smooth welding and internal cable routing. Complete with mudguard and rack mounts.

| URBAN | COMMUTING | LEISURE | FITNESS |




| | |
|-----------------------|------------------------------------------------------------------------------------------------------------------------|
| FRAME | SPEEDER LITE II, material: aluminium, 700x35C max. wheelsize, 100x9/135x9mm axle standard, BSA bottom bracket standard |
| FRAME SIZE | XXS, XS, S, S/M, M/L, L, XL |
| FORK | MERIDA SPEEDER CF2, Tapered, material: carbon, 700x35C max. wheelsize |
| BRAKES | Tektro M275 |
| ROTORS | Shimano RT10 |
| HEADSET | MERIDA M2331 Neck |
| HANDLEBAR | MERIDA EXPERT CC, material: aluminium, 600mm width, Flat |
| HANDLEBAR STEM | MERIDA EXPERT CC, material: aluminium, 31.8mm diameter, 5° stem angle, 80 mm-XS, 90 mm-S, 100 mm-SM/ML, 110 mm-L/XL |
| GRIP | MERIDA EXPERT EC |
| DERAILLEUR (F) | Shimano 105 |
| DERAILLEUR (R) | Shimano 105, GS |
| SHIFTERS | Shimano SL-RS700 |
| SEAT POST | MERIDA COMP CC, material: aluminium, 30.9mm diameter, 12mm setback |
| SEAT CLAMP | MERIDA EXPERT |
| SADDLE | MERIDA COMP SL, V-mount |
| PEDAL | VP VPE-891 |

| | |
|-----------------------|--------------------------------------------------------------------|
| CHAIN | KMC X11 |
| CHAINWHEEL | Shimano 105, 50-34 teeth, 170 mm-XS/S, 172,5 mm-SM/ML, 175 mm-L/XL |
| FREEWHEEL | Shimano CS-R7000, 11-32 teeth, 11 speed |
| BOTTOM BRACKET | Shimano BB-RS500 BSA |
| RIM | MERIDA COMP SL, 17mm inner width, 22mm height, material: aluminium |
| HUBS | Joytech D471SBT-SC-CL / Joytech D472TSBT-SC-CL |
| AXLES | QR |
| SPOKES | Black stainless |
| TIRES | Maxxis Detonator |



SPEEDER 300

ANTHRACITE (BLACK)

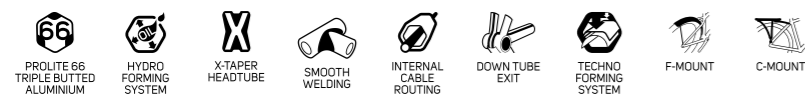
 **LITE** Lightweight 6066 triple butted and hydroformed aluminium frame with smooth welding and internal cable routing. Complete with mudguard and rack mounts.

| URBAN | COMMUTING | LEISURE | FITNESS |




| | |
|-----------------------|------------------------------------------------------------------------------------------------------------------------|
| FRAME | SPEEDER LITE II, material: aluminium, 700x35C max. wheelsize, 100x9/135x9mm axle standard, BSA bottom bracket standard |
| FRAME SIZE | XXS, XS, S, S/M, M/L, L, XL |
| FORK | MERIDA SPEEDER CF2, Tapered, material: carbon, 700x35C max. wheelsize |
| BRAKES | Tektro M275 |
| ROTORS | Shimano RT10 |
| HEADSET | MERIDA M2341 Neck |
| HANDLEBAR | MERIDA EXPERT CC, material: aluminium, 600mm width, Flat |
| HANDLEBAR STEM | MERIDA EXPERT CC, material: aluminium, 31.8mm diameter, 5° stem angle, 80 mm-XS, 90 mm-S, 100 mm-SM/ML, 110 mm-L/XL |
| GRIP | MERIDA COMP EC |
| DERAILLEUR (F) | Shimano Tiagra |
| DERAILLEUR (R) | Shimano Tiagra, GS |
| SHIFTERS | Shimano Tiagra |
| SEAT POST | MERIDA COMP CC, material: aluminium, 30.9mm diameter, 12mm setback |
| SEAT CLAMP | MERIDA EXPERT |
| SADDLE | MERIDA COMP SL, V-mount |
| PEDAL | VP VPE-891 |

| | |
|-----------------------|--------------------------------------------------------------------|
| CHAIN | KMC X10 |
| CHAINWHEEL | Shimano FC-RS400, 50-34 teeth, 170 mm-XS/S/SM/ML, 175 mm-L/XL |
| FREEWHEEL | Shimano CS-HG500, 11-32 teeth, 10 speed |
| BOTTOM BRACKET | Shimano BB-RS500 BSA |
| RIM | MERIDA COMP SL, 17mm inner width, 22mm height, material: aluminium |
| HUBS | Joytech D471SBT-SC-CL / Joytech D472TSBT-SC-CL |
| AXLES | QR |
| SPOKES | Black stainless |
| TIRES | Maxxis Detonator |



SPEEDER 300

SILK BLUE (DARK SILVER)

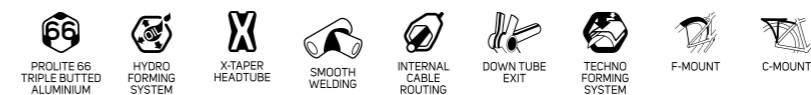
 **LITE** Lightweight 6066 triple butted and hydroformed aluminium frame with smooth welding and internal cable routing. Complete with mudguard and rack mounts.

| URBAN | COMMUTING | LEISURE | FITNESS |




| | |
|-----------------------|------------------------------------------------------------------------------------------------------------------------|
| FRAME | SPEEDER LITE II, material: aluminium, 700x35C max. wheelsize, 100x9/135x9mm axle standard, BSA bottom bracket standard |
| FRAME SIZE | XXS, XS, S, S/M, M/L, L, XL |
| FORK | MERIDA SPEEDER CF2, Tapered, material: carbon, 700x35C max. wheelsize |
| BRAKES | Tektro M275 |
| ROTORS | Shimano RT10 |
| HEADSET | MERIDA M2341 Neck |
| HANDLEBAR | MERIDA EXPERT CC, material: aluminium, 600mm width, Flat |
| HANDLEBAR STEM | MERIDA EXPERT CC, material: aluminium, 31.8mm diameter, 5° stem angle, 80 mm-XS, 90 mm-S, 100 mm-SM/ML, 110 mm-L/XL |
| GRIP | MERIDA COMP EC |
| DERAILLEUR (F) | Shimano Tiagra |
| DERAILLEUR (R) | Shimano Tiagra, GS |
| SHIFTERS | Shimano Tiagra |
| SEAT POST | MERIDA COMP CC, material: aluminium, 30.9mm diameter, 12mm setback |
| SEAT CLAMP | MERIDA EXPERT |
| SADDLE | MERIDA COMP SL, V-mount |
| PEDAL | VP VPE-891 |

| | |
|-----------------------|--------------------------------------------------------------------|
| CHAIN | KMC X10 |
| CHAINWHEEL | Shimano FC-RS400, 50-34 teeth, 170 mm-XS/S/SM/ML, 175 mm-L/XL |
| FREEWHEEL | Shimano CS-HG500, 11-32 teeth, 10 speed |
| BOTTOM BRACKET | Shimano BB-RS500 BSA |
| RIM | MERIDA COMP SL, 17mm inner width, 22mm height, material: aluminium |
| HUBS | Joytech D471SBT-SC-CL / Joytech D472TSBT-SC-CL |
| AXLES | QR |
| SPOKES | Black stainless |
| TIRES | Maxxis Detonator |



SPEEDER 200

MATT BLACK (DARK SILVER)

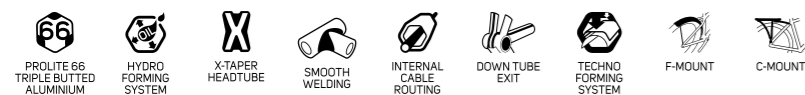
 **LITE** Lightweight 6066 triple butted and hydroformed aluminium frame with smooth welding and internal cable routing. Complete with mudguard and rack mounts.

| URBAN | COMMUTING | LEISURE | FITNESS |




| | |
|-----------------------|------------------------------------------------------------------------------------------------------------------------|
| FRAME | SPEEDER LITE II, material: aluminium, 700x35C max. wheelsize, 100x9/135x9mm axle standard, BSA bottom bracket standard |
| FRAME SIZE | XXS, XS, S, S/M, M/L, L, XL |
| FORK | MERIDA SPEEDER CF2, Tapered, material: carbon, 700x35C max. wheelsize |
| BRAKES | Tektro M275 |
| ROTORS | Shimano RT10 |
| HEADSET | MERIDA M2341 Neck |
| HANDLEBAR | MERIDA COMP TK, material: aluminium, 600mm width, Flat |
| HANDLEBAR STEM | MERIDA COMP CC, material: aluminium, 31.8mm diameter, 6° stem angle, 80 mm-XS, 90 mm-S, 100 mm-SM/ML, 110 mm-L/XL |
| GRIP | MERIDA COMP EC |
| DERAILLEUR (F) | Shimano Sora |
| DERAILLEUR (R) | Shimano Sora, SS |
| SHIFTERS | Shimano SL-R3000 / Shimano SL-R3000 9 |
| SEAT POST | MERIDA COMP CC, material: aluminium, 30.9mm diameter, 12mm setback |
| SEAT CLAMP | MERIDA EXPERT |
| SADDLE | MERIDA COMP SL, V-mount |
| PEDAL | VP VPE-891 |

| | |
|-----------------------|--------------------------------------------------------------------|
| CHAIN | KMC M99 |
| CHAINWHEEL | FSA Tempo, 50-34 teeth, 170 mm-XS/S/SM/ML, 175 mm-L/XL |
| FREEWHEEL | Shimano CS-HG200, 11-32 teeth, 9 speed |
| BOTTOM BRACKET | FSA TH-7420ST Cartridge Bearing |
| RIM | MERIDA COMP SL, 17mm inner width, 22mm height, material: aluminium |
| HUBS | Joytech D471SBT-SC-CL / Joytech D472TSBT-SC-CL |
| SPOKES | Black stainless |
| TIRES | Maxxis Detonator |



SPEEDER 200

GOLDEN RED (BLACK)

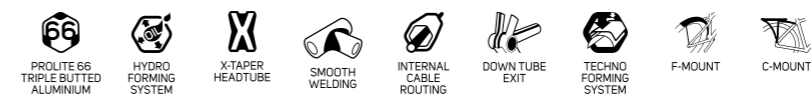
 **LITE** Lightweight 6066 triple butted and hydroformed aluminium frame with smooth welding and internal cable routing. Complete with mudguard and rack mounts.

| URBAN | COMMUTING | LEISURE | FITNESS |




| | |
|-----------------------|------------------------------------------------------------------------------------------------------------------------|
| FRAME | SPEEDER LITE II, material: aluminium, 700x35C max. wheelsize, 100x9/135x9mm axle standard, BSA bottom bracket standard |
| FRAME SIZE | XXS, XS, S, S/M, M/L, L, XL |
| FORK | MERIDA SPEEDER CF2, Tapered, material: carbon, 700x35C max. wheelsize |
| BRAKES | Tektro M275 |
| ROTORS | Shimano RT10 |
| HEADSET | MERIDA M2341 Neck |
| HANDLEBAR | MERIDA COMP TK, material: aluminium, 600mm width, Flat |
| HANDLEBAR STEM | MERIDA COMP CC, material: aluminium, 31.8mm diameter, 6° stem angle, 80 mm-XS, 90 mm-S, 100 mm-SM/ML, 110 mm-L/XL |
| GRIP | MERIDA COMP EC |
| DERAILLEUR (F) | Shimano Sora |
| DERAILLEUR (R) | Shimano Sora, SS |
| SHIFTERS | Shimano SL-R3000 / Shimano SL-R3000 9 |
| SEAT POST | MERIDA COMP CC, material: aluminium, 30.9mm diameter, 12mm setback |
| SEAT CLAMP | MERIDA EXPERT |
| SADDLE | MERIDA COMP SL, V-mount |
| PEDAL | VP VPE-891 |

| | |
|-----------------------|--------------------------------------------------------------------|
| CHAIN | KMC M99 |
| CHAINWHEEL | FSA Tempo, 50-34 teeth, 170 mm-XS/S/SM/ML, 175 mm-L/XL |
| FREEWHEEL | Shimano CS-HG200, 11-32 teeth, 9 speed |
| BOTTOM BRACKET | FSA TH-7420ST Cartridge Bearing |
| RIM | MERIDA COMP SL, 17mm inner width, 22mm height, material: aluminium |
| HUBS | Joytech D471SBT-SC-CL / Joytech D472TSBT-SC-CL |
| SPOKES | Black stainless |
| TIRES | Maxxis Detonator |



SPEEDER 100

MATT COOL GREY (BLUE/RED)

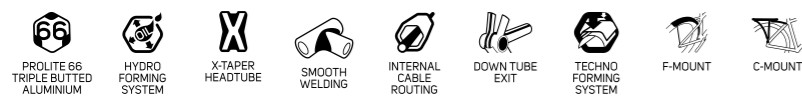
 **LITE** Lightweight 6066 triple butted and hydroformed aluminium frame with smooth welding and internal cable routing. Complete with mudguard and rack mounts.

| URBAN | COMMUTING | LEISURE | FITNESS |




| | |
|-----------------------|------------------------------------------------------------------------------------------------------------------------|
| FRAME | SPEEDER LITE II, material: aluminium, 700x35C max. wheelsize, 100x9/135x9mm axle standard, BSA bottom bracket standard |
| FRAME SIZE | XXS, XS, S, S/M, M/L, L, XL |
| FORK | MERIDA SPEEDER CF2, Tapered, material: carbon, 700x35C max. wheelsize |
| BRAKES | Shimano ST-EF505 |
| ROTORS | Shimano RT10 |
| HEADSET | MERIDA M2341 Neck |
| HANDLEBAR | MERIDA COMP TK, material: aluminium, 600mm width, Flat |
| HANDLEBAR STEM | MERIDA COMP CC, material: aluminium, 31.8mm diameter, 6° stem angle, 80 mm-XS, 90 mm-S, 100 mm-SM/ML, 110 mm-L/XL |
| GRIP | MERIDA COMP EC |
| DERAILLEUR (F) | Shimano TY710 |
| DERAILLEUR (R) | Shimano Acera-X |
| SHIFTERS | Shimano ST-EF505 |
| SEAT POST | MERIDA COMP CC, material: aluminium, 30.9mm diameter, 12mm setback |
| SEAT CLAMP | MERIDA EXPERT |
| SADDLE | MERIDA COMP SL, V-mount |
| PEDAL | VP VPE-891 |

| | |
|-----------------------|--------------------------------------------------------------------|
| CHAIN | Sunrace CN-M84 |
| CHAINWHEEL | Shimano TY301, 48-38-28 teeth, 170 mm-all sizes |
| FREEWHEEL | Sunrace CSM668, 11-32 teeth, 8 speed |
| BOTTOM BRACKET | FSA TH-7420ST Cartridge Bearing |
| RIM | MERIDA COMP SL, 17mm inner width, 22mm height, material: aluminium |
| HUBS | Joytech D471SBT-SC-CL / Joytech D472TSBT-SC-CL |
| SPOKES | Black stainless |
| TIRES | Maxxis Detonator |



SPEEDER 100

LIGHT LIME (YELLOW)

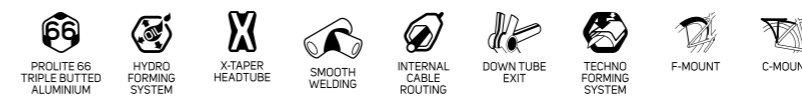
 **LITE** Lightweight 6066 triple butted and hydroformed aluminium frame with smooth welding and internal cable routing. Complete with mudguard and rack mounts.

| URBAN | COMMUTING | LEISURE | FITNESS |



| | |
|-----------------------|------------------------------------------------------------------------------------------------------------------------|
| FRAME | SPEEDER LITE II, material: aluminium, 700x35C max. wheelsize, 100x9/135x9mm axle standard, BSA bottom bracket standard |
| FRAME SIZE | XXS, XS, S, S/M, M/L, L, XL |
| FORK | MERIDA SPEEDER CF2, Tapered, material: carbon, 700x35C max. wheelsize |
| BRAKES | Shimano ST-EF505 |
| ROTORS | Shimano RT10 |
| HEADSET | MERIDA M2341 Neck |
| HANDLEBAR | MERIDA COMP TK, material: aluminium, 600mm width, Flat |
| HANDLEBAR STEM | MERIDA COMP CC, material: aluminium, 31.8mm diameter, 6° stem angle, 80 mm-XS, 90 mm-S, 100 mm-SM/ML, 110 mm-L/XL |
| GRIP | MERIDA COMP EC |
| DERAILLEUR (F) | Shimano TY710 |
| DERAILLEUR (R) | Shimano Acera-X |
| SHIFTERS | Shimano ST-EF505 |
| SEAT POST | MERIDA COMP CC, material: aluminium, 30.9mm diameter, 12mm setback |
| SEAT CLAMP | MERIDA EXPERT |
| SADDLE | MERIDA COMP SL, V-mount |
| PEDAL | VP VPE-891 |

| | |
|-----------------------|--------------------------------------------------------------------|
| CHAIN | Sunrace CN-M84 |
| CHAINWHEEL | Shimano TY301, 48-38-28 teeth, 170 mm-all sizes |
| FREEWHEEL | Sunrace CSM668, 11-32 teeth, 8 speed |
| BOTTOM BRACKET | FSA TH-7420ST Cartridge Bearing |
| RIM | MERIDA COMP SL, 17mm inner width, 22mm height, material: aluminium |
| HUBS | Joytech D471SBT-SC-CL / Joytech D472TSBT-SC-CL |
| SPOKES | Black stainless |
| TIRES | Maxxis Detonator |



SPEEDER 100

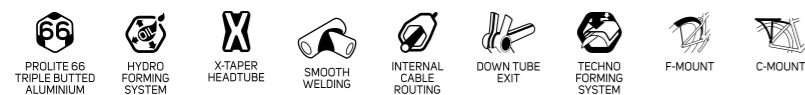
DARK BLUE (BLUE/WHITE)

LITE Lightweight 6066 triple butted and hydroformed aluminium frame with smooth welding and internal cable routing. Complete with mudguard and rack mounts.

| URBAN | COMMUTING | LEISURE | FITNESS |



| | | | |
|-----------------------|------------------------------------------------------------------------------------------------------------------------|-----------------------|--------------------------------------------------------------------|
| FRAME | SPEEDER LITE II, material: aluminium, 700x35C max. wheelsize, 100x9/135x9mm axle standard, BSA bottom bracket standard | CHAIN | Sunrace CN-M84 |
| FRAME SIZE | XXS, XS, S, S/M, M/L, L, XL | CHAINWHEEL | Shimano TY301, 48-38-28 teeth, 170 mm-all sizes |
| FORK | MERIDA SPEEDER CF2, Tapered, material: carbon, 700x35C max. wheelsize | FREEWHEEL | Sunrace CSM668, 11-32 teeth, 8 speed |
| BRAKES | Shimano ST-EF505 | BOTTOM BRACKET | FSA TH-7420ST Cartridge Bearing |
| ROTORS | Shimano RT10 | RIM | MERIDA COMP SL, 17mm inner width, 22mm height, material: aluminium |
| HEADSET | MERIDA M2341 Neck | HUBS | Joytech D471SBT-SC-CL / Joytech D472TSBT-SC-CL |
| HANDLEBAR | MERIDA COMP TK, material: aluminium, 600mm width, Flat | SPOKES | Black stainless |
| HANDLEBAR STEM | MERIDA COMP CC, material: aluminium, 31.8mm diameter, 6° stem angle, 80 mm-XS, 90 mm-S, 100 mm-SM/ML, 110 mm-L/XL | TIRES | Maxxis Detonator |
| GRIP | MERIDA COMP EC | | |
| DERAILLEUR (F) | Shimano TY710 | | |
| DERAILLEUR (R) | Shimano Acera-X | | |
| SHIFTERS | Shimano ST-EF505 | | |
| SEAT POST | MERIDA COMP CC, material: aluminium, 30.9mm diameter, 12mm setback | | |
| SEAT CLAMP | MERIDA EXPERT | | |
| SADDLE | MERIDA COMP SL, V-mount | | |
| PEDAL | VP VPE-891 | | |

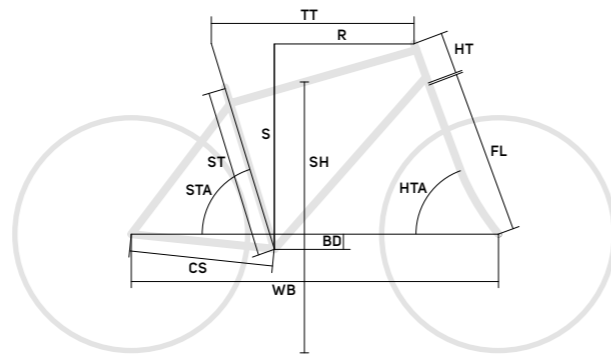


SPEEDER

GEOMETRIES

SPEEDER LITE II

| FS Frame Size | XXS | XS | S | S/M | M/L | L | XL |
|-----------------------------|------|------|------|------|------|------|------|
| TS Tire Size | 28" | 28" | 28" | 28" | 28" | 28" | 28" |
| ST seat tube [mm] | 440 | 470 | 500 | 520 | 540 | 560 | 590 |
| TT top tube [mm] | 545 | 555 | 561 | 571 | 583 | 597 | 610 |
| CS chain stay length [mm] | 438 | 438 | 438 | 438 | 438 | 438 | 438 |
| HTA head tube angle [°] | 70 | 70 | 70,5 | 71 | 71,5 | 72 | 72 |
| STA seat tube angle [°] | 73,5 | 73,5 | 73,5 | 73,5 | 73,5 | 73,5 | 73,5 |
| BD bottom bracket drop [mm] | 65 | 65 | 65 | 65 | 65 | 65 | 65 |
| HT head tube [mm] | 140 | 150 | 160 | 170 | 190 | 215 | 240 |
| FL fork length [mm] | 395 | 395 | 395 | 395 | 395 | 395 | 395 |
| R reach [mm] | 381 | 389 | 392 | 398 | 404 | 410 | 416 |
| S stack [mm] | 552 | 562 | 573 | 585 | 606 | 631 | 655 |
| WB wheel base [mm] | 1040 | 1051 | 1053 | 1057 | 1065 | 1074 | 1088 |
| SH stand over height [mm] | 719 | 744 | 769 | 787 | 806 | 828 | 855 |

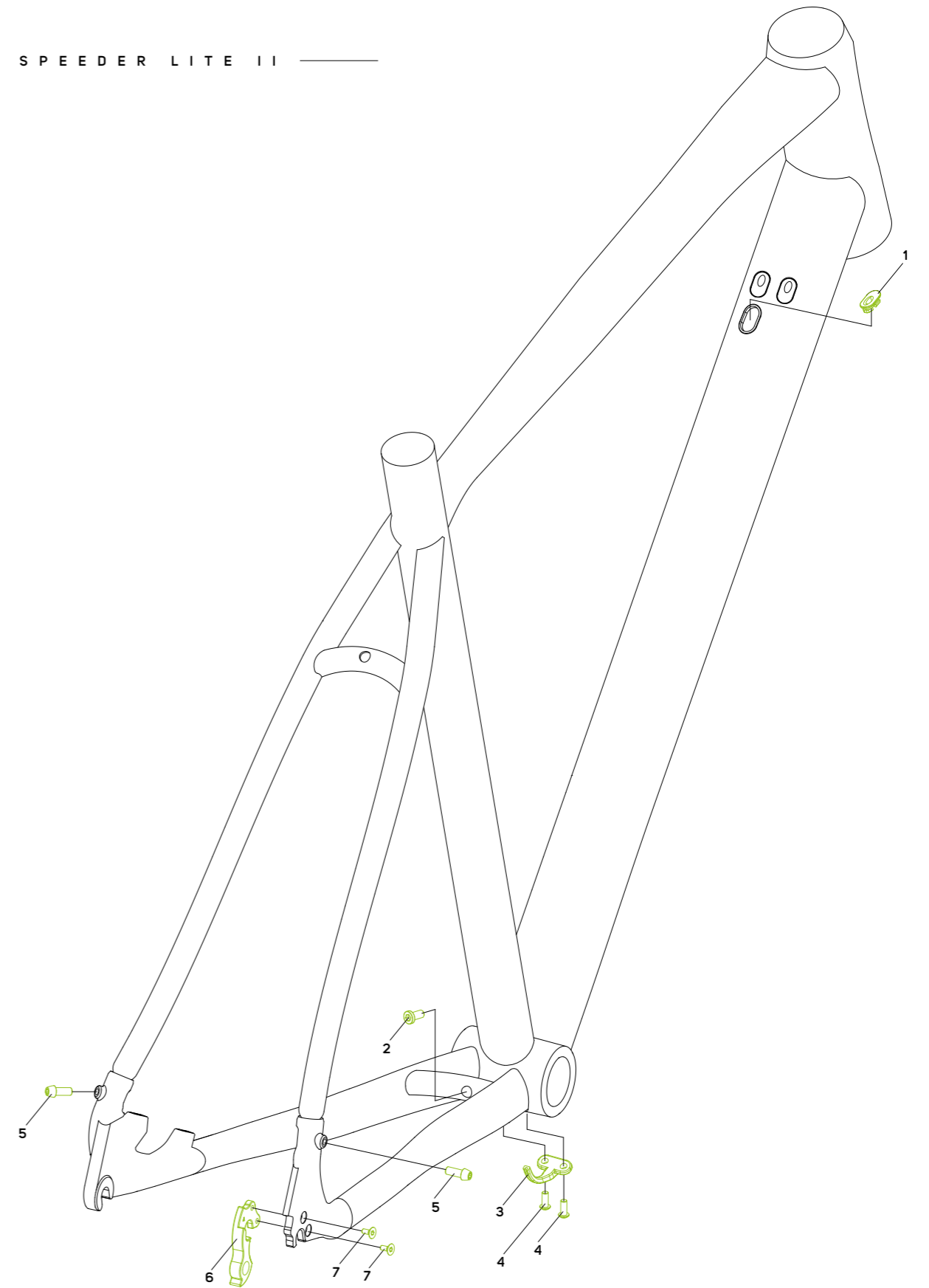


FRAME INTERFACES

| | |
|------------------------------|-------------------------------------------------------------------------------------------------|
| MAX. WHEELSIZE | 700x37C 700x32C with fender |
| HEAD TUBE | 11/8" & 11/2" • |
| HEADSET | SEMI-INTEGRATED (44-55 mm) • |
| BRAKE STANDARD | DISC BRAKE ON CHAIN STAY • POST MOUNT 160 mm REAR BRAKE • POST MOUNT 160 mm FRONT BRAKE • |
| BB-STANDARD | BSA 68 mm • |
| SEATPOST DIAMETER | 30.9 mm • |
| REAR DROPOUT-STANDARD | QUICK RELEASE 9x135 mm • |
| FRONT AXLE STANDARD | QUICK RELEASE 9x100 mm • |
| CABLE ROUTING | INTERNAL SHIFTING CABLES • INTERNAL BRAKE CABLE • |
| EQUIPMENT OPTIONS | CARRIER MOUNT FRAME • FENDER MOUNT FRAME • FENDER MOUNT FORK • |
| FD-STANDARD | CLAMP (DIAMETER: 34.9 mm) • DOWN PULL • |
| FRAME WEIGHT* | 1850g |
| FORK WEIGHT | Carbon: 500g +/- 3% |
| RD HANGER | 8317-0000P BLK |

* Frame weight only at size S/M (+/- 3%); Without axle, frame protectors, saddle clamp, hanger, steerer cups and cable guides (weight is also depending on the frame color)

SPEEDER LITE II



| No. | Item No. | Item | Detail information | Pieces | Torque Nm |
|-----|------------|-------------|---------------------------|--------|-----------|
| 1 | 2258003812 | CABLE GUIDE | | 1 | |
| 2 | 2298009553 | SCREW | | 1 | 5 |
| 3 | 2240001072 | CABLE GUIDE | | 1 | |
| 4 | 2298009854 | SCREW | | 2 | 4 |
| 5 | 2298005775 | SCREW | | 2 | 5 |
| 6 | 2311002249 | DROPOUT | 8317-0000P (see page 609) | 1 | |
| 7 | 2300007973 | SCREW | | 2 | 4 |

SILEX

EVERY ROAD IS YOURS

There's a certain beauty in just riding without watching the time, heading wherever you feel the urge. For those rides, the test and award-winning SILEX makes total sense; our most comfortable and versatile road bike ever. With its modern MTB inspired geometry; long top and head tubes and short stem it offers nimble, confidence-inspiring handling. The 2020 launched more 'rugged' 650B wheeled alternative to the 'classic' SILEX managed not just to impress the press but also got awarded with the Design & Innovation Award. Road.cc called it a 'mountain bike-inspired gravel bike that's nimble, versatile and a whole lot of fun'.



5

CARBON AND ALUMINIUM VERSIONS

Lightweight carbon or sophisticated aluminium frame options. Key differences, other than construction materials, are that the carbon frame has a lower weight and is equipped with an integrated seatpost clamp to minimise turbulence at the top tube.



TWO OPTIONS

The SILEX is available in two options. The 'classic' SILEX standing on 700c wheels, being the perfect 'all-road' bike which loves lanes, forest tracks and gravel or the new more 'rugged' SILEX+ version, which can easily tackle more demanding terrain due to its more burly 650B wheels and 45 mm tyres. The choice is yours. Both options are based on the same frame, so wheels are exchangeable at a later date.

1

FULLY LOADED

In line with the design ethos of versatility and go anywhere, the SILEX is available with a wide range of luggage and accessory options, including frame bags and big saddle packs. The frame features fender mounts on the rear triangle as well as on the fork, transferring the SILEX quickly and easily into a fast training bike for the winter or a versatile commuting and touring bike.

2

GO BIG (AS STANDARD)

As standard, the SILEX comes with 700x38c tyres and the SILEX+ with 650Bx45c. The maximum tyre size for 700c wheels is 42 mm (road profile) while with 650B wheels being fitted, tyres up to 50 mm wide road profile tyres on the carbon and up to 42 mm on the aluminium bikes can be run.

3

LATEST TECHNOLOGY

Featuring 12 mm bolt through axles for maximum frame stiffness, making wheel alignment much easier when refitting. The flat mount rear brake is mounted on the chainstay for better dissipation of braking forces and protecting it from damage in the rear triangle. Disc cooler technology draws heat away through CNC-milled cooling fins, particularly important when you are fully loaded.

4

SHIFTING SIMPLICITY

The majority of SILEX models are fitted with 1x drivetrains for simplicity, resulting in weight reduction and fewer moving parts. A 1x can deliver 98 % of the gear range of a 50-34 compact chainset with an 11-32 road set up.

SILEX+ 8000-E

MATT ANTHRACITE (GLOSSY BLACK)

CF2 CF2 carbon frame with upright gravel geometry for stable but nimble handling. Tapered head tube and 12 mm bolt through axles provide stiffness and steering precision. Featuring internal cable routing and BB386 bottom bracket.

COMMUTING | FITNESS | GRAVEL | OFF ROAD



| | |
|-----------------------|-------------------------------------------------------------------------------------------------------------------------------|
| FRAME | SILEX+ CF2, material: carbon, 700x38C / 650Bx45C max. wheelsize, 100x12/142x12mm axle standard, BB386 bottom bracket standard |
| FRAME SIZE | XS, S, M, L, XL |
| FORK | MERIDA SILEX CF2, Tapered, material: carbon, 700x38C / 650Bx45C max. wheelsize |
| BRAKES | Shimano GRX810 DI2 |
| ROTORS | Shimano RT-MT800 |
| HEADSET | SILEX Neck |
| HANDLEBAR | MERIDA EXPERT GR, material: aluminium, 400mm (XS-S), 420mm (M), 440mm (L/XL) |
| HANDLEBAR STEM | MERIDA EXPERT CW, material: aluminium, 31.8mm diameter, -8° stem angle, 80 mm all sizes |
| GRIP | MERIDA ROAD EXPERT |
| DERAILLEUR (R) | Shimano GRX817 |
| SHIFTERS | Shimano GRX Disc DI2 |
| SEAT POST | MERIDA TEAM CC, material: carbon, 30.9mm diameter, 0mm setback, S-FLEX |
| SEAT CLAMP | MERIDA SILEX |
| SADDLE | MERIDA EXPERT CC, V-mount, incl. MERIDA minitool |
| CHAIN | KMC X11 |
| CHAINWHEEL | Shimano GRX810, 40 teeth, 170 mm-XS/S, 172,5 mm-M, 175 mm-L/XL |

| | |
|-----------------------|------------------------------------------------------------------------------------------------------------------------------------------|
| FREEWHEEL | Shimano SLX, 11-42 teeth, 11 speed |
| BOTTOM BRACKET | FSA 386-BB30 PF6000 [SMN FC] |
| WHEELSET | Fulcrum Rapid Red 500, 100x12mm width front hub, 142x12mm width rear hub, 23mm inner width, 24mm height, Centerlock, material: aluminium |
| AXLES | MERIDA EXPERT SL |
| TIRES | Kenda Flintridge PRO |



SILEX 7000

MATT ANTHRACITE (GLOSSY BLACK)

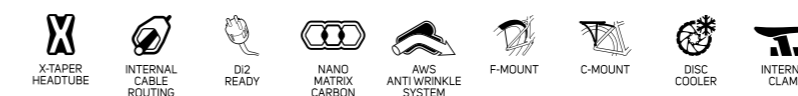
CF2 CF2 carbon frame with upright gravel geometry for stable but nimble handling. Tapered head tube and 12 mm bolt through axles provide stiffness and steering precision. Featuring internal cable routing and BB386 bottom bracket.

COMMUTING | FITNESS | GRAVEL | OFF ROAD



| | |
|-----------------------|------------------------------------------------------------------------------------------------------------------------------|
| FRAME | SILEX CF2, material: carbon, 700x38C / 650Bx45C max. wheelsize, 100x12/142x12mm axle standard, BB386 bottom bracket standard |
| FRAME SIZE | XS, S, M, L, XL |
| FORK | MERIDA SILEX CF2, Tapered, material: carbon, 700x38C / 650Bx45C max. wheelsize |
| BRAKES | Shimano GRX810 |
| ROTORS | Shimano RT-MT800 |
| HEADSET | SILEX Neck |
| HANDLEBAR | MERIDA EXPERT GR, material: aluminium, 400mm (XS-S), 420mm (M), 440mm (L/XL) |
| HANDLEBAR STEM | MERIDA EXPERT CW, material: aluminium, 31.8mm diameter, -8° stem angle, 80 mm all sizes |
| GRIP | MERIDA ROAD EXPERT |
| DERAILLEUR (F) | Shimano GRX810 |
| DERAILLEUR (R) | Shimano GRX810 |
| SHIFTERS | Shimano GRX810 |
| SEAT POST | MERIDA EXPERT CC, material: carbon, 30.9mm diameter, 0mm setback |
| SEAT CLAMP | MERIDA SILEX |
| SADDLE | MERIDA EXPERT CC, V-mount, incl. MERIDA minitool |
| CHAIN | KMC X11 |

| | |
|-----------------------|------------------------------------------------------------------------------------------------------------------------------------------|
| CHAINWHEEL | Shimano GRX810, 48-31 teeth, 170 mm-XS/S, 172,5 mm-M, 175 mm-L/XL |
| FREEWHEEL | Shimano CS-HG800, 11-34 teeth, 11 speed |
| BOTTOM BRACKET | FSA 386-BB30 PF6000 [SMN FC] |
| WHEELSET | Fulcrum Racing 700 DB, 100x12mm width front hub, 142x12mm width rear hub, 19mm inner width, 22mm height, Centerlock, material: aluminium |
| AXLES | MERIDA EXPERT SL |
| TIRES | Maxxis Rambler |



SILEX 7000

MATT BRONZE (DARK BROWN)

CF2 CF2 carbon frame with upright gravel geometry for stable but nimble handling. Tapered head tube and 12 mm bolt through axles provide stiffness and steering precision. Featuring internal cable routing and BB386 bottom bracket.

COMMUTING | FITNESS | GRAVEL | OFF ROAD



| | |
|-----------------------|------------------------------------------------------------------------------------------------------------------------------|
| FRAME | SILEX CF2, material: carbon, 700x38C / 650Bx45C max. wheelsize, 100x12/142x12mm axle standard, BB386 bottom bracket standard |
| FRAME SIZE | XS, S, M, L, XL |
| FORK | MERIDA SILEX CF2, Tapered, material: carbon, 700x38C / 650Bx45C max. wheelsize |
| BRAKES | Shimano GRX810 |
| ROTORS | Shimano RT-MT800 |
| HEADSET | SILEX Neck |
| HANDLEBAR | MERIDA EXPERT GR, material: aluminium, 400mm (XS-S), 420mm (M), 440mm (L/XL) |
| HANDLEBAR STEM | MERIDA EXPERT CW, material: aluminium, 31.8mm diameter, -8° stem angle, 80 mm all sizes |
| GRIP | MERIDA ROAD EXPERT |
| DERAILLEUR (F) | Shimano GRX810 |
| DERAILLEUR (R) | Shimano GRX810 |
| SHIFTERS | Shimano GRX810 |
| SEAT POST | MERIDA EXPERT CC, material: carbon, 30.9mm diameter, 0mm setback |
| SEAT CLAMP | MERIDA SILEX |
| SADDLE | MERIDA EXPERT CC, V-mount, incl. MERIDA minitool |
| CHAIN | KMC X11 |

| | |
|-----------------------|------------------------------------------------------------------------------------------------------------------------------------------|
| CHAINWHEEL | Shimano GRX810, 48-31 teeth, 170 mm-XS/S, 172,5 mm-M, 175 mm-L/XL |
| FREEWHEEL | Shimano CS-HG800, 11-34 teeth, 11 speed |
| BOTTOM BRACKET | FSA 386-BB30 PF6000 [SMN FC] |
| WHEELSET | Fulcrum Racing 700 DB, 100x12mm width front hub, 142x12mm width rear hub, 19mm inner width, 22mm height, Centerlock, material: aluminium |
| AXLES | MERIDA EXPERT SL |
| TIRES | Maxxis Rambler |



SILEX+ 6000

MATT ANTHRACITE (GLOSSY BLACK)

CF2 CF2 carbon frame with upright gravel geometry for stable but nimble handling. Tapered head tube and 12 mm bolt through axles provide stiffness and steering precision. Featuring internal cable routing and BB386 bottom bracket.

COMMUTING | FITNESS | GRAVEL | OFF ROAD



| | |
|-----------------------|-------------------------------------------------------------------------------------------------------------------------------|
| FRAME | SILEX+ CF2, material: carbon, 700x38C / 650Bx45C max. wheelsize, 100x12/142x12mm axle standard, BB386 bottom bracket standard |
| FRAME SIZE | XS, S, M, L, XL |
| FORK | MERIDA SILEX CF2, Tapered, material: carbon, 700x38C / 650Bx45C max. wheelsize |
| BRAKES | Sram Force1 HRD |
| ROTORS | Sram CenterLine Rotor |
| HEADSET | SILEX Neck |
| HANDLEBAR | MERIDA EXPERT GR, material: aluminium, 400mm (XS-S), 420mm (M), 440mm (L/XL) |
| HANDLEBAR STEM | MERIDA EXPERT CW, material: aluminium, 31.8mm diameter, -8° stem angle, 80 mm all sizes |
| GRIP | MERIDA ROAD EXPERT |
| DERAILLEUR (R) | Sram Force1 |
| SHIFTERS | Sram Force1 HRD |
| SEAT POST | MERIDA EXPERT CC, material: carbon, 30.9mm diameter, 0mm setback |
| SEAT CLAMP | MERIDA SILEX |
| SADDLE | MERIDA EXPERT CC, V-mount, incl. MERIDA minitool |
| CHAIN | KMC X11 |
| CHAINWHEEL | Sram Force1, 38 teeth, 170 mm-XS/S, 172,5 mm-M, 175 mm-L/XL |

| | |
|-----------------------|----------------------------------------------------------------------|
| FREEWHEEL | Sram PG-1130, 11-42 teeth, 11 speed |
| BOTTOM BRACKET | FSA 386-BB30 PF6000 [Sram FC] |
| RIM | MERIDA EXPERT CX, 19mm inner width, 24mm height, material: aluminium |
| HUBS | VP 173SB / VP 273SB |
| AXLES | MERIDA EXPERT SL |
| SPOKES | Double Butted Black stainless |
| TIRES | Kenda Flintridge PRO |



SILEX+ 6000

METALLIC TEAL (BLACK)

CF2 CF2 carbon frame with upright gravel geometry for stable but nimble handling. Tapered head tube and 12 mm bolt through axles provide stiffness and steering precision. Featuring internal cable routing and BB386 bottom bracket.

COMMUTING | FITNESS | GRAVEL | OFF ROAD



| | |
|-----------------------|-------------------------------------------------------------------------------------------------------------------------------|
| FRAME | SILEX+ CF2, material: carbon, 700x38C / 650Bx45C max. wheelsize, 100x12/142x12mm axle standard, BB386 bottom bracket standard |
| FRAME SIZE | XS, S, M, L, XL |
| FORK | MERIDA SILEX CF2, Tapered, material: carbon, 700x38C / 650Bx45C max. wheelsize |
| BRAKES | Sram Force1 HRD |
| ROTORS | Sram CenterLine Rotor |
| HEADSET | SILEX Neck |
| HANDLEBAR | MERIDA EXPERT GR, material: aluminium, 400mm (XS-S), 420mm (M), 440mm (L/XL) |
| HANDLEBAR STEM | MERIDA EXPERT CW, material: aluminium, 31.8mm diameter, -8° stem angle, 80 mm all sizes |
| GRIP | MERIDA ROAD EXPERT |
| DERAILLEUR (R) | Sram Force1 |
| SHIFTERS | Sram Force1 HRD |
| SEAT POST | MERIDA EXPERT CC, material: carbon, 30.9mm diameter, 0mm setback |
| SEAT CLAMP | MERIDA SILEX |
| SADDLE | MERIDA EXPERT CC, V-mount, incl. MERIDA minitool |
| CHAIN | KMC X11 |
| CHAINWHEEL | Sram Force1, 38 teeth, 170 mm-XS/S, 172,5 mm-M, 175 mm-L/XL |

| | |
|-----------------------|----------------------------------------------------------------------|
| FREEWHEEL | Sram PG-1130, 11-42 teeth, 11 speed |
| BOTTOM BRACKET | FSA 386-BB30 PF6000 [Sram FC] |
| RIM | MERIDA EXPERT CX, 19mm inner width, 24mm height, material: aluminium |
| HUBS | VP 173SB / VP 273SB |
| AXLES | MERIDA EXPERT SL |
| SPOKES | Double Butted Black stainless |
| TIRES | Kenda Flintridge PRO |



SILEX 4000

MATT ANTHRACITE (GLOSSY BLACK)

CF2 CF2 carbon frame with upright gravel geometry for stable but nimble handling. Tapered head tube and 12 mm bolt through axles provide stiffness and steering precision. Featuring internal cable routing and BB386 bottom bracket.

COMMUTING | FITNESS | GRAVEL | OFF ROAD



| | |
|-----------------------|------------------------------------------------------------------------------------------------------------------------------|
| FRAME | SILEX CF2, material: carbon, 700x38C / 650Bx45C max. wheelsize, 100x12/142x12mm axle standard, BB386 bottom bracket standard |
| FRAME SIZE | XS, S, M, L, XL |
| FORK | MERIDA SILEX CF2, Tapered, material: carbon, 700x38C / 650Bx45C max. wheelsize |
| BRAKES | Shimano GRX400 |
| ROTORS | Shimano RT10 |
| HEADSET | SILEX Neck |
| HANDLEBAR | MERIDA EXPERT GR, material: aluminium, 400mm (XS-S), 420mm (M), 440mm (L/XL) |
| HANDLEBAR STEM | MERIDA EXPERT CW, material: aluminium, 31.8mm diameter, -8° stem angle, 80 mm all sizes |
| GRIP | MERIDA ROAD EXPERT |
| DERAILLEUR (F) | Shimano GRX400 |
| DERAILLEUR (R) | Shimano GRX400 |
| SHIFTERS | Shimano GRX400 |
| SEAT POST | MERIDA EXPERT CC, material: carbon, 30.9mm diameter, 0mm setback |
| SEAT CLAMP | MERIDA SILEX |
| SADDLE | MERIDA COMP CC, V-mount |
| CHAIN | KMC X10 |

| | |
|-----------------------|--------------------------------------------------------------------|
| CHAINWHEEL | Shimano GRX600, 46-30 teeth, 170 mm-XS/S, 172,5 mm-M, 175 mm-L/XL |
| FREEWHEEL | Shimano CS-HG50, 11-36 teeth, 10 speed |
| BOTTOM BRACKET | FSA 386-BB30 PF6000 [Sram FC] |
| RIM | MERIDA COMP SL, 17mm inner width, 22mm height, material: aluminium |
| HUBS | VP CLK170F / VP CLK270R |
| AXLES | MERIDA EXPERT SL |
| SPOKES | Black stainless |
| TIRES | Maxxis Rambler |





SILEX 4000

MATT STEEL-BLUE (GLOSSY RED)

CF2 CF2 carbon frame with upright gravel geometry for stable but nimble handling. Tapered head tube and 12 mm bolt through axles provide stiffness and steering precision. Featuring internal cable routing and BB386 bottom bracket.

COMMUTING | FITNESS | GRAVEL | OFFROAD



| | |
|-----------------------|------------------------------------------------------------------------------------------------------------------------------|
| FRAME | SILEX CF2, material: carbon, 700x38C / 650Bx45C max. wheelsize, 100x12/142x12mm axle standard, BB386 bottom bracket standard |
| FRAME SIZE | XS, S, M, L, XL |
| FORK | MERIDA SILEX CF2, Tapered, material: carbon, 700x38C / 650Bx45C max. wheelsize |
| BRAKES | Shimano GRX400 |
| ROTORS | Shimano RT10 |
| HEADSET | SILEX Neck |
| HANDLEBAR | MERIDA EXPERT GR, material: aluminium, 400mm (XS-S), 420mm (M), 440mm (L/XL) |
| HANDLEBAR STEM | MERIDA EXPERT CW, material: aluminium, 31.8mm diameter, -8° stem angle, 80 mm all sizes |
| GRIP | MERIDA ROAD EXPERT |
| DERAILLEUR (F) | Shimano GRX400 |
| DERAILLEUR (R) | Shimano GRX400 |
| SHIFTERS | Shimano GRX400 |
| SEAT POST | MERIDA EXPERT CC, material: carbon, 30.9mm diameter, 0mm setback |
| SEAT CLAMP | MERIDA SILEX |
| SADDLE | MERIDA COMP CC, V-mount |
| CHAIN | KMC X10 |

| | |
|-----------------------|--------------------------------------------------------------------|
| CHAINWHEEL | Shimano GRX600, 46-30 teeth, 170 mm-XS/S, 172,5 mm-M, 175 mm-L/XL |
| FREEWHEEL | Shimano CS-HG50, 11-36 teeth, 10 speed |
| BOTTOM BRACKET | FSA 386-BB30 PF6000 [Sram FC] |
| RIM | MERIDA COMP SL, 17mm inner width, 22mm height, material: aluminium |
| HUBS | VP CLK170F / VP CLK270R |
| AXLES | MERIDA EXPERT SL |
| SPOKES | Black stainless |
| TIRES | Maxxis Rambler |



SILEX 700

MATT BLACK (GLOSSY ANTHRACITE)

LITE Lightweight 6066 triple butted and hydroformed aluminium frame with upright gravel geometry for stable but nimble handling. Featuring internal cable routing and BB86 bottom bracket.

COMMUTING | FITNESS | GRAVEL | OFFROAD




| | |
|-----------------------|--------------------------------------------------------------------------------------------------------------------------|
| FRAME | SILEX LITE, material: aluminium, 700x38C / 650Bx45C max.WHS, 100x12/142x12mm axle standard, BB86 bottom bracket standard |
| FRAME SIZE | XS, S, M, L, XL |
| FORK | MERIDA SILEX CF2, Tapered, material: carbon, 700x38C / 650Bx45C max. wheelsize |
| BRAKES | Shimano GRX810 |
| ROTORS | Shimano RT64 |
| HEADSET | MERIDA M2331 |
| HANDLEBAR | MERIDA EXPERT GR, material: aluminium, 400mm (XS-S), 420mm (M), 440mm (L/XL) |
| HANDLEBAR STEM | MERIDA EXPERT CW, material: aluminium, 31.8mm diameter, -8° stem angle, 80 mm all sizes |
| GRIP | MERIDA ROAD EXPERT |
| DERAILLEUR (F) | Shimano GRX810 |
| DERAILLEUR (R) | Shimano GRX810 |
| SHIFTERS | Shimano GRX810 |
| SEAT POST | MERIDA EXPERT CC, material: carbon, 30.9mm diameter, 0mm setback |
| SEAT CLAMP | MERIDA EXPERT |
| SADDLE | MERIDA EXPERT CC, V-mount, incl. MERIDA minitool |
| CHAIN | KMC X11 |

| | |
|-----------------------|----------------------------------------------------------------------|
| CHAINWHEEL | Shimano GRX810, 48-31 teeth, 170 mm-XS/S, 172,5 mm-M, 175 mm-L/XL |
| FREEWHEEL | Shimano CS-HG700, 11-34 teeth, 11 speed |
| BOTTOM BRACKET | Shimano Pressfit BB71 |
| RIM | MERIDA EXPERT CX, 19mm inner width, 24mm height, material: aluminium |
| HUBS | VP CLK170F / VP CLK270R |
| AXLES | MERIDA EXPERT SL |
| SPOKES | Double Butted Black stainless |
| TIRES | Maxxis Rambler |



SILEX 700

MATT RACE RED (GLOSSY DARK RED)

 **LITE** Lightweight 6066 triple butted and hydroformed aluminium frame with upright gravel geometry for stable but nimble handling. Featuring internal cable routing and BB86 bottom bracket.

| COMMUTING | FITNESS | GRAVEL | OFFROAD |




| | |
|-----------------------|--------------------------------------------------------------------------------------------------------------------------|
| FRAME | SILEX LITE, material: aluminium, 700x38C / 650Bx45C max.WHS, 100x12/142x12mm axle standard, BB86 bottom bracket standard |
| FRAME SIZE | XS, S, M, L, XL |
| FORK | MERIDA SILEX CF2, Tapered, material: carbon, 700x38C / 650Bx45C max. wheelsize |
| BRAKES | Shimano GRX810 |
| ROTORS | Shimano RT64 |
| HEADSET | MERIDA M2331 |
| HANDLEBAR | MERIDA EXPERT GR, material: aluminium, 400mm (XS-S), 420mm (M), 440mm (L/XL) |
| HANDLEBAR STEM | MERIDA EXPERT CW, material: aluminium, 31.8mm diameter, -8° stem angle, 80 mm all sizes |
| GRIP | MERIDA ROAD EXPERT |
| DERAILLEUR (F) | Shimano GRX810 |
| DERAILLEUR (R) | Shimano GRX810 |
| SHIFTERS | Shimano GRX810 |
| SEAT POST | MERIDA EXPERT CC, material: carbon, 30.9mm diameter, 0mm setback |
| SEAT CLAMP | MERIDA EXPERT |
| SADDLE | MERIDA EXPERT CC, V-mount, incl. MERIDA minitool |
| CHAIN | KMC X11 |

| | |
|-----------------------|----------------------------------------------------------------------|
| CHAINWHEEL | Shimano GRX810, 48-31 teeth, 170 mm-XS/S, 172,5 mm-M, 175 mm-L/XL |
| FREEWHEEL | Shimano CS-HG700, 11-34 teeth, 11 speed |
| BOTTOM BRACKET | Shimano Pressfit BB71 |
| RIM | MERIDA EXPERT CX, 19mm inner width, 24mm height, material: aluminium |
| HUBS | VP CLK170F / VP CLK270R |
| AXLES | MERIDA EXPERT SL |
| SPOKES | Double Butted Black stainless |
| TIRES | Maxxis Rambler |



SILEX 600

GLOSSY BLACK (MATT BLACK)

 **LITE** Lightweight 6066 triple butted and hydroformed aluminium frame with upright gravel geometry for stable but nimble handling. Featuring internal cable routing and BB86 bottom bracket.

| COMMUTING | FITNESS | GRAVEL | OFFROAD |



| | |
|-----------------------|--------------------------------------------------------------------------------------------------------------------------|
| FRAME | SILEX LITE, material: aluminium, 700x38C / 650Bx45C max.WHS, 100x12/142x12mm axle standard, BB86 bottom bracket standard |
| FRAME SIZE | XS, S, M, L, XL |
| FORK | MERIDA SILEX CF2, Tapered, material: carbon, 700x38C / 650Bx45C max. wheelsize |
| BRAKES | Sram Apex1 HRD |
| ROTORS | Sram CenterLine Rotor |
| HEADSET | MERIDA M2331 |
| HANDLEBAR | MERIDA EXPERT GR, material: aluminium, 400mm (XS-S), 420mm (M), 440mm (L/XL) |
| HANDLEBAR STEM | MERIDA EXPERT CW, material: aluminium, 31.8mm diameter, -8° stem angle, 80 mm all sizes |
| GRIP | MERIDA ROAD EXPERT |
| DERAILLEUR (R) | Sram Apex1 |
| SHIFTERS | Sram Apex1 HRD |
| SEAT POST | MERIDA COMP CC, material: aluminium, 30.9mm diameter, 0mm setback |
| SEAT CLAMP | MERIDA EXPERT |
| SADDLE | MERIDA COMP CC, V-mount |
| CHAIN | KMC X11 |
| CHAINWHEEL | Sram Apex1, 40 teeth, 170 mm-XS/S, 172,5 mm-M, 175 mm-L/XL |

| | |
|-----------------------|----------------------------------------------------------------------|
| FREEWHEEL | Sram PG-1130, 11-42 teeth, 11 speed |
| BOTTOM BRACKET | Sram Pressfit PF86 |
| RIM | MERIDA EXPERT CX, 19mm inner width, 24mm height, material: aluminium |
| HUBS | VP 173SB / VP 273SB |
| AXLES | MERIDA EXPERT SL |
| SPOKES | Black stainless |
| TIRES | Maxxis Rambler |



SILEX 600

GLOSSY FOG GREEN (MATT GREEN)

LITE Lightweight 6066 triple butted and hydroformed aluminium frame with upright gravel geometry for stable but nimble handling. Featuring internal cable routing and BB86 bottom bracket.

COMMUTING | FITNESS | GRAVEL | OFFROAD



| | |
|-----------------------|--------------------------------------------------------------------------------------------------------------------------|
| FRAME | SILEX LITE, material: aluminium, 700x38C / 650Bx45C max.WHS, 100x12/142x12mm axle standard, BB86 bottom bracket standard |
| FRAME SIZE | XS, S, M, L, XL |
| FORK | MERIDA SILEX CF2, Tapered, material: carbon, 700x38C / 650Bx45C max. wheelsize |
| BRAKES | Sram Apex1 HRD |
| ROTORS | Sram CenterLine Rotor |
| HEADSET | MERIDA M2331 |
| HANDLEBAR | MERIDA EXPERT GR, material: aluminium, 400mm (XS-S), 420mm (M), 440mm (L/XL) |
| HANDLEBAR STEM | MERIDA EXPERT CW, material: aluminium, 31.8mm diameter, -8° stem angle, 80 mm all sizes |
| GRIP | MERIDA ROAD EXPERT |
| DERAILLEUR (R) | Sram Apex1 |
| SHIFTERS | Sram Apex1 HRD |
| SEAT POST | MERIDA COMP CC, material: aluminium, 30.9mm diameter, 0mm setback |
| SEAT CLAMP | MERIDA EXPERT |
| SADDLE | MERIDA COMP CC, V-mount |
| CHAIN | KMC X11 |
| CHAINWHEEL | Sram Apex1, 40 teeth, 170 mm-XS/S, 172,5 mm-M, 175 mm-L/XL |

| | |
|-----------------------|----------------------------------------------------------------------|
| FREEWHEEL | Sram PG-1130, 11-42 teeth, 11 speed |
| BOTTOM BRACKET | Sram Pressfit PF86 |
| RIM | MERIDA EXPERT CX, 19mm inner width, 24mm height, material: aluminium |
| HUBS | VP 173SB / VP 273SB |
| AXLES | MERIDA EXPERT SL |
| SPOKES | Black stainless |
| TIRES | Maxxis Rambler |



SILEX 400

GLOSSY BLACK (MATT BLACK)

LITE Lightweight 6066 triple butted and hydroformed aluminium frame with upright gravel geometry for stable but nimble handling. Featuring internal cable routing and BB86 bottom bracket.

COMMUTING | FITNESS | GRAVEL | OFFROAD



| | |
|-----------------------|--------------------------------------------------------------------------------------------------------------------------|
| FRAME | SILEX LITE, material: aluminium, 700x38C / 650Bx45C max.WHS, 100x12/142x12mm axle standard, BB86 bottom bracket standard |
| FRAME SIZE | XS, S, M, L, XL |
| FORK | MERIDA SILEX CF2, Tapered, material: carbon, 700x38C / 650Bx45C max. wheelsize |
| BRAKES | Shimano GRX400 |
| ROTORS | Shimano RT10 |
| HEADSET | MERIDA M2331 |
| HANDLEBAR | MERIDA EXPERT GR, material: aluminium, 400mm (XS-S), 420mm (M), 440mm (L/XL) |
| HANDLEBAR STEM | MERIDA EXPERT CW, material: aluminium, 31.8mm diameter, -8° stem angle, 80 mm all sizes |
| GRIP | MERIDA ROAD EXPERT |
| DERAILLEUR (F) | Shimano GRX400 |
| DERAILLEUR (R) | Shimano GRX400 |
| SHIFTERS | Shimano GRX400 |
| SEAT POST | MERIDA COMP CC, material: aluminium, 30.9mm diameter, 0mm setback |
| SEAT CLAMP | MERIDA EXPERT |
| SADDLE | MERIDA COMP CC, V-mount |
| CHAIN | KMC X10 |


| | |
|-----------------------|--------------------------------------------------------------------|
| CHAINWHEEL | Shimano GRX600, 46-30 teeth, 170 mm-XS/S, 172,5 mm-M, 175 mm-L/XL |
| FREEWHEEL | Shimano CS-HG50, 11-36 teeth, 10 speed |
| BOTTOM BRACKET | Shimano Pressfit BB71 |
| RIM | MERIDA COMP SL, 17mm inner width, 22mm height, material: aluminium |
| HUBS | VP CLK170F / VP CLK270R |
| AXLES | MERIDA EXPERT SL |
| SPOKES | Black stainless |
| TIRES | Maxxis Rambler |





SILEX 400

MATT BLUE (BLACK)

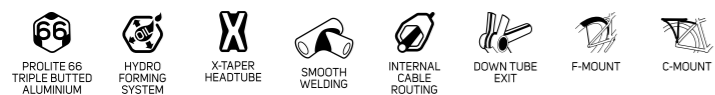
 **LITE** Lightweight 6066 triple butted and hydroformed aluminium frame with upright gravel geometry for stable but nimble handling. Featuring internal cable routing and BB86 bottom bracket.

| COMMUTING | FITNESS | GRAVEL | OFFROAD |




| | |
|-----------------------|--------------------------------------------------------------------------------------------------------------------------|
| FRAME | SILEX LITE, material: aluminium, 700x38C / 650Bx45C max.WHS, 100x12/142x12mm axle standard, BB86 bottom bracket standard |
| FRAME SIZE | XS, S, M, L, XL |
| FORK | MERIDA SILEX CF2, Tapered, material: carbon, 700x38C / 650Bx45C max. wheelsize |
| BRAKES | Shimano GRX400 |
| ROTORS | Shimano RT10 |
| HEADSET | MERIDA M2331 |
| HANDLEBAR | MERIDA EXPERT GR, material: aluminium, 400mm (XS-S), 420mm (M), 440mm (L/XL) |
| HANDLEBAR STEM | MERIDA EXPERT CW, material: aluminium, 31.8mm diameter, -8° stem angle, 80 mm all sizes |
| GRIP | MERIDA ROAD EXPERT |
| DERAILLEUR (F) | Shimano GRX400 |
| DERAILLEUR (R) | Shimano GRX400 |
| SHIFTERS | Shimano GRX400 |
| SEAT POST | MERIDA COMP CC, material: aluminium, 30.9mm diameter, 0mm setback |
| SEAT CLAMP | MERIDA EXPERT |
| SADDLE | MERIDA COMP CC, V-mount |
| CHAIN | KMC X10 |

| | |
|----------------------|--------------------------------------------------------------------|
| CHAINWHEEL | Shimano GRX600, 46-30 teeth, 170 mm-XS/S, 172,5 mm-M, 175 mm-L/XL |
| FREEWHEEL | Shimano CS-HG50, 11-36 teeth, 10 speed |
| BOTTOM BRAKET | Shimano Pressfit BB71 |
| RIM | MERIDA COMP SL, 17mm inner width, 22mm height, material: aluminium |
| HUBS | VP CLK170F / VP CLK270R |
| AXLES | MERIDA EXPERT SL |
| SPOKES | Black stainless |
| TIRES | Maxxis Rambler |



SILEX 400

LIGHT LIME (OLIVE)

 **LITE** Lightweight 6066 triple butted and hydroformed aluminium frame with upright gravel geometry for stable but nimble handling. Featuring internal cable routing and BB86 bottom bracket.

| COMMUTING | FITNESS | GRAVEL | OFFROAD |




| | |
|-----------------------|--------------------------------------------------------------------------------------------------------------------------|
| FRAME | SILEX LITE, material: aluminium, 700x38C / 650Bx45C max.WHS, 100x12/142x12mm axle standard, BB86 bottom bracket standard |
| FRAME SIZE | XS, S, M, L, XL |
| FORK | MERIDA SILEX CF2, Tapered, material: carbon, 700x38C / 650Bx45C max. wheelsize |
| BRAKES | Shimano GRX400 |
| ROTORS | Shimano RT10 |
| HEADSET | MERIDA M2331 |
| HANDLEBAR | MERIDA EXPERT GR, material: aluminium, 400mm (XS-S), 420mm (M), 440mm (L/XL) |
| HANDLEBAR STEM | MERIDA EXPERT CW, material: aluminium, 31.8mm diameter, -8° stem angle, 80 mm all sizes |
| GRIP | MERIDA ROAD EXPERT |
| DERAILLEUR (F) | Shimano GRX400 |
| DERAILLEUR (R) | Shimano GRX400 |
| SHIFTERS | Shimano GRX400 |
| SEAT POST | MERIDA COMP CC, material: aluminium, 30.9mm diameter, 0mm setback |
| SEAT CLAMP | MERIDA EXPERT |
| SADDLE | MERIDA COMP CC, V-mount |
| CHAIN | KMC X10 |

| | |
|----------------------|--------------------------------------------------------------------|
| CHAINWHEEL | Shimano GRX600, 46-30 teeth, 170 mm-XS/S, 172,5 mm-M, 175 mm-L/XL |
| FREEWHEEL | Shimano CS-HG50, 11-36 teeth, 10 speed |
| BOTTOM BRAKET | Shimano Pressfit BB71 |
| RIM | MERIDA COMP SL, 17mm inner width, 22mm height, material: aluminium |
| HUBS | VP CLK170F / VP CLK270R |
| AXLES | MERIDA EXPERT SL |
| SPOKES | Black stainless |
| TIRES | Maxxis Rambler |



SILEX 300

GLOSSY BLACK (MATT BLACK)

 **LITE** Lightweight 6066 triple butted and hydroformed aluminium frame with upright gravel geometry for stable but nimble handling. Featuring internal cable routing and BB86 bottom bracket.

| COMMUTING | FITNESS | GRAVEL | OFF ROAD |




| | |
|-----------------------|--------------------------------------------------------------------------------------------------------------------------|
| FRAME | SILEX LITE, material: aluminium, 700x38C / 650Bx45C max.WHS, 100x12/142x12mm axle standard, BB86 bottom bracket standard |
| FRAME SIZE | XS, S, M, L, XL |
| FORK | MERIDA SILEX CF2, Tapered, material: carbon, 700x38C / 650Bx45C max. wheelsize |
| BRAKES | Tektro Spyre |
| ROTORS | Tektro M160 |
| HEADSET | MERIDA M2331 |
| HANDLEBAR | MERIDA EXPERT GR, material: aluminium, 400mm (XS-S), 420mm (M), 440mm (L/XL) |
| HANDLEBAR STEM | MERIDA EXPERT CW, material: aluminium, 31.8mm diameter, -8° stem angle, 80 mm all sizes |
| GRIP | MERIDA ROAD EXPERT |
| DERAILLEUR (R) | Sram Apex1 |
| SHIFTERS | Sram Apex1 |
| SEAT POST | MERIDA COMP CC, material: aluminium, 30.9mm diameter, 0mm setback |
| SEAT CLAMP | MERIDA EXPERT |
| SADDLE | MERIDA COMP CC, V-mount |
| CHAIN | KMC X11 |
| CHAINWHEEL | FSA Gossamer, 44 teeth, 170 mm-XS/S, 172,5 mm-M, 175 mm-L/XL |

| | |
|-----------------------|--------------------------------------------------------------------|
| FREEWHEEL | Sunrace CSMS8, 11-42 teeth, 11 speed |
| BOTTOM BRACKET | FSA PF86 MegaExo |
| RIM | MERIDA COMP SL, 17mm inner width, 22mm height, material: aluminium |
| HUBS | VP 173SB / VP 273SB |
| AXLES | MERIDA EXPERT SL |
| SPOKES | Black stainless |
| TIRES | Maxxis Rambler |



SILEX 300

MATT DARK PURPLE (PURPLE)

 **LITE** Lightweight 6066 triple butted and hydroformed aluminium frame with upright gravel geometry for stable but nimble handling. Featuring internal cable routing and BB86 bottom bracket.

| COMMUTING | FITNESS | GRAVEL | OFF ROAD |




| | |
|-----------------------|--------------------------------------------------------------------------------------------------------------------------|
| FRAME | SILEX LITE, material: aluminium, 700x38C / 650Bx45C max.WHS, 100x12/142x12mm axle standard, BB86 bottom bracket standard |
| FRAME SIZE | XS, S, M, L, XL |
| FORK | MERIDA SILEX CF2, Tapered, material: carbon, 700x38C / 650Bx45C max. wheelsize |
| BRAKES | Tektro Spyre |
| ROTORS | Tektro M160 |
| HEADSET | MERIDA M2331 |
| HANDLEBAR | MERIDA EXPERT GR, material: aluminium, 400mm (XS-S), 420mm (M), 440mm (L/XL) |
| HANDLEBAR STEM | MERIDA EXPERT CW, material: aluminium, 31.8mm diameter, -8° stem angle, 80 mm all sizes |
| GRIP | MERIDA ROAD EXPERT |
| DERAILLEUR (R) | Sram Apex1 |
| SHIFTERS | Sram Apex1 |
| SEAT POST | MERIDA COMP CC, material: aluminium, 30.9mm diameter, 0mm setback |
| SEAT CLAMP | MERIDA EXPERT |
| SADDLE | MERIDA COMP CC, V-mount |
| CHAIN | KMC X11 |
| CHAINWHEEL | FSA Gossamer, 44 teeth, 170 mm-XS/S, 172,5 mm-M, 175 mm-L/XL |

| | |
|-----------------------|--------------------------------------------------------------------|
| FREEWHEEL | Sunrace CSMS8, 11-42 teeth, 11 speed |
| BOTTOM BRACKET | FSA PF86 MegaExo |
| RIM | MERIDA COMP SL, 17mm inner width, 22mm height, material: aluminium |
| HUBS | VP 173SB / VP 273SB |
| AXLES | MERIDA EXPERT SL |
| SPOKES | Black stainless |
| TIRES | Maxxis Rambler |



SILEX 200

GLOSSY BLACK (MATT BLACK)

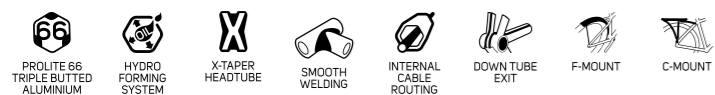
 **LITE** Lightweight 6066 triple butted and hydroformed aluminium frame with upright gravel geometry for stable but nimble handling. Featuring internal cable routing and BB86 bottom bracket.

| COMMUTING | FITNESS | GRAVEL | OFFROAD |




| | |
|-----------------------|--------------------------------------------------------------------------------------------------------------------------|
| FRAME | SILEX LITE, material: aluminium, 700x38C / 650Bx45C max.WHS, 100x12/142x12mm axle standard, BB86 bottom bracket standard |
| FRAME SIZE | XS, S, M, L, XL |
| FORK | MERIDA SILEX CF2, Tapered, material: carbon, 700x38C / 650Bx45C max. wheelsize |
| BRAKES | Promax DSK-330R |
| ROTORS | Promax G160 |
| HEADSET | MERIDA M2331 |
| HANDLEBAR | MERIDA EXPERT GR, material: aluminium, 400mm (XS-S), 420mm (M), 440mm (L/XL) |
| HANDLEBAR STEM | MERIDA COMP CC, material: aluminium, 31.8mm diameter, -6° stem angle, 80 mm all sizes |
| GRIP | MERIDA ROAD COMP |
| DERAILLEUR (F) | Shimano Sora |
| DERAILLEUR (R) | Shimano Sora, GS |
| SHIFTERS | Shimano Sora |
| SEAT POST | MERIDA COMP CC, material: aluminium, 30.9mm diameter, 0mm setback |
| SEAT CLAMP | MERIDA EXPERT |
| SADDLE | MERIDA COMP CC, V-mount |
| CHAIN | KMC M99 |

| | |
|----------------------|--------------------------------------------------------------------|
| CHAINWHEEL | FSA Omega, 48-32 teeth, 170 mm-XS/S, 172,5 mm-M, 175 mm-L/XL |
| FREEWHEEL | Shimano CS-HG200, 11-34 teeth, 9 speed |
| BOTTOM BRAKET | FSA PF86 MegaExo |
| RIM | MERIDA COMP SL, 17mm inner width, 22mm height, material: aluminium |
| HUBS | VP 173SB / VP 273SB |
| AXLES | MERIDA EXPERT SL |
| SPOKES | Black stainless |
| TIRES | Maxxis Rambler |



SILEX 200

TEAL-BLUE (ORANGE)

 **LITE** Lightweight 6066 triple butted and hydroformed aluminium frame with upright gravel geometry for stable but nimble handling. Featuring internal cable routing and BB86 bottom bracket.

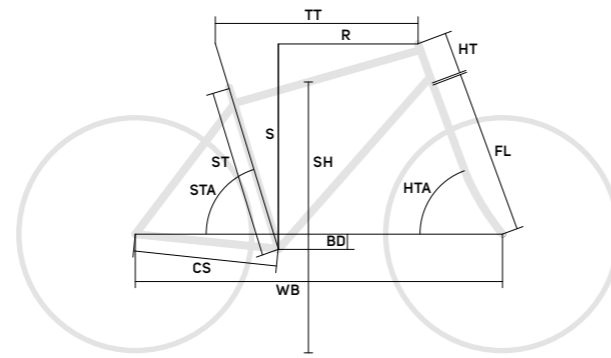
| COMMUTING | FITNESS | GRAVEL | OFFROAD |



| | |
|-----------------------|--------------------------------------------------------------------------------------------------------------------------|
| FRAME | SILEX LITE, material: aluminium, 700x38C / 650Bx45C max.WHS, 100x12/142x12mm axle standard, BB86 bottom bracket standard |
| FRAME SIZE | XS, S, M, L, XL |
| FORK | MERIDA SILEX CF2, Tapered, material: carbon, 700x38C / 650Bx45C max. wheelsize |
| BRAKES | Promax DSK-330R |
| ROTORS | Promax G160 |
| HEADSET | MERIDA M2331 |
| HANDLEBAR | MERIDA EXPERT GR, material: aluminium, 400mm (XS-S), 420mm (M), 440mm (L/XL) |
| HANDLEBAR STEM | MERIDA COMP CC, material: aluminium, 31.8mm diameter, -6° stem angle, 80 mm all sizes |
| GRIP | MERIDA ROAD COMP |
| DERAILLEUR (F) | Shimano Sora |
| DERAILLEUR (R) | Shimano Sora, GS |
| SHIFTERS | Shimano Sora |
| SEAT POST | MERIDA COMP CC, material: aluminium, 30.9mm diameter, 0mm setback |
| SEAT CLAMP | MERIDA EXPERT |
| SADDLE | MERIDA COMP CC, V-mount |
| CHAIN | KMC M99 |

| | |
|----------------------|--------------------------------------------------------------------|
| CHAINWHEEL | FSA Omega, 48-32 teeth, 170 mm-XS/S, 172,5 mm-M, 175 mm-L/XL |
| FREEWHEEL | Shimano CS-HG200, 11-34 teeth, 9 speed |
| BOTTOM BRAKET | FSA PF86 MegaExo |
| RIM | MERIDA COMP SL, 17mm inner width, 22mm height, material: aluminium |
| HUBS | VP 173SB / VP 273SB |
| AXLES | MERIDA EXPERT SL |
| SPOKES | Black stainless |
| TIRES | Maxxis Rambler |





SILEX CF2

| FS Frame Size | XS(44) | S(47) | M(50) | L(53) | XL(56) |
|-----------------------------|--------|-------|-------|-------|--------|
| TS Tire Size | 28" | 28" | 28" | 28" | 28" |
| ST seat tube [mm] | 440 | 470 | 500 | 530 | 560 |
| TT top tube [mm] | 548 | 564 | 580 | 600 | 620 |
| CS chain stay length [mm] | 430 | 430 | 430 | 430 | 430 |
| HTA head tube angle [°] | 71 | 71 | 71 | 71 | 71 |
| STA seat tube angle [°] | 74 | 74 | 74 | 74 | 74 |
| BD bottom bracket drop [mm] | 75 | 75 | 75 | 75 | 75 |
| HT head tube [mm] | 160 | 180 | 200 | 220 | 240 |
| FL fork length [mm] | 398 | 398 | 398 | 398 | 398 |
| R reach [mm] | 379 | 390 | 400 | 415 | 430 |
| S stack [mm] | 588 | 607 | 626 | 645 | 664 |
| WB wheel base [mm] | 1027 | 1044 | 1061 | 1082 | 1104 |
| SH stand over height [mm] | 706 | 736 | 765 | 794 | 822 |

SILEX LITE

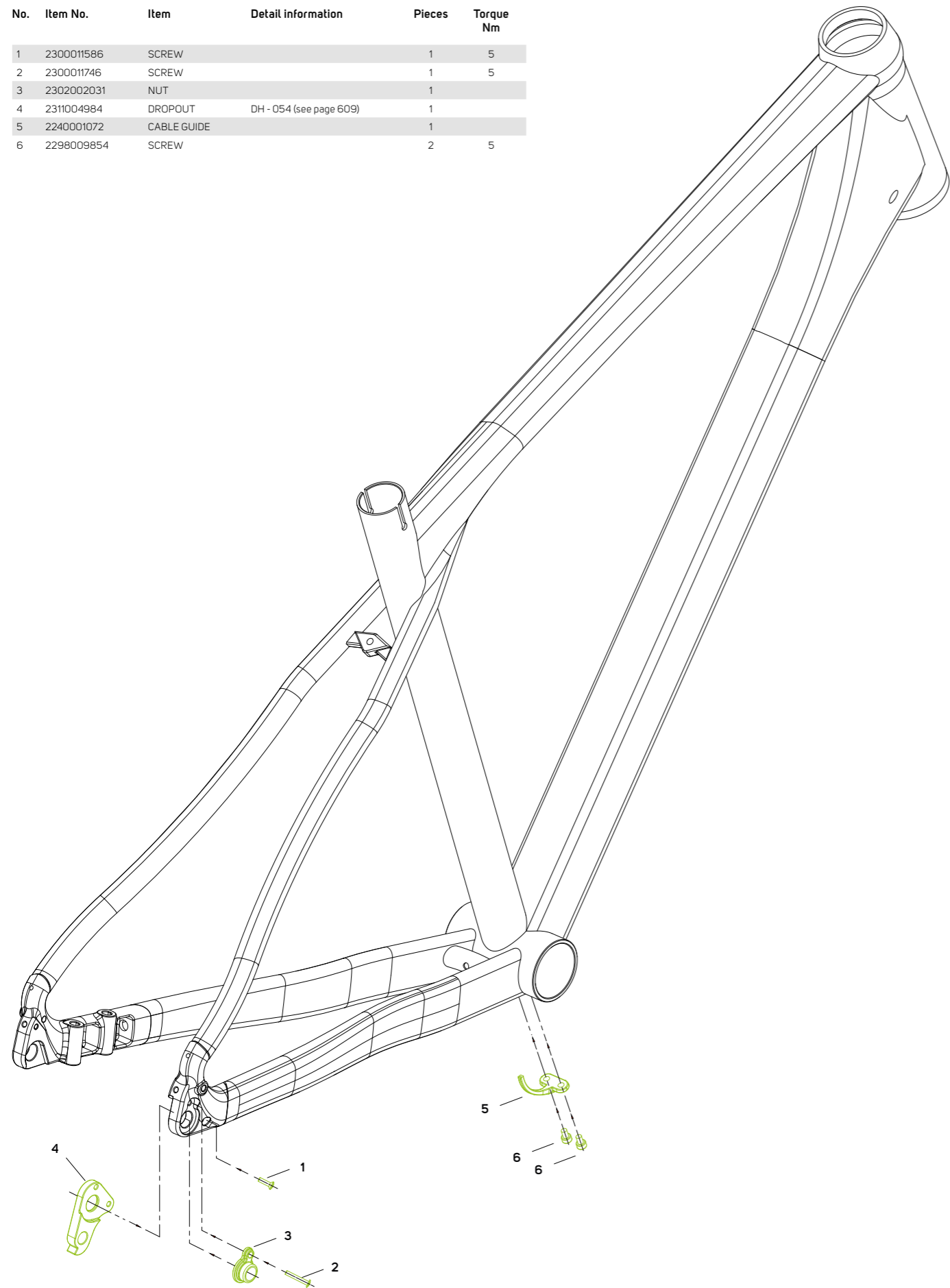
| FS Frame Size | XS(44) | S(47) | M(50) | L(53) | XL(56) |
|-----------------------------|--------|-------|-------|-------|--------|
| TS Tire Size | 28" | 28" | 28" | 28" | 28" |
| ST seat tube [mm] | 440 | 470 | 500 | 530 | 560 |
| TT top tube [mm] | 548 | 554 | 579 | 600 | 620 |
| CS chain stay length [mm] | 430 | 430 | 430 | 430 | 430 |
| HTA head tube angle [°] | 71 | 71 | 71 | 71 | 71 |
| STA seat tube angle [°] | 74 | 74 | 74 | 74 | 74 |
| BD bottom bracket drop [mm] | 75 | 75 | 75 | 75 | 75 |
| HT head tube [mm] | 160 | 180 | 200 | 220 | 240 |
| FL fork length [mm] | 397 | 397 | 397 | 397 | 397 |
| R reach [mm] | 380 | 380 | 400 | 415 | 430 |
| S stack [mm] | 587 | 606 | 625 | 644 | 663 |
| WB wheel base [mm] | 1027 | 1034 | 1060 | 1082 | 1103 |
| SH stand over height [mm] | 716 | 744 | 772 | 799 | 826 |

| | CF2 | LITE |
|-----------------------------------------|----------------------------------------------------------------------------------------------|----------------------------------------------------------------------------------------------|
| MAX. WHEELSIZE | max: 700x42C (road profile) max: 700x35C with fender max: 50mm for 650B (road profile) | max: 700x42C (road profile) max: 700x35C with fender max: 42mm for 650B (road profile) |
| HEAD TUBE | | |
| 11/8" & 1 1/2" | • | • |
| HEADSET | | |
| SEMI-INTEGRATED (44-55 mm) | | • |
| INTEGRATED | • | |
| BRAKE STANDARD | | |
| FLAT MOUNT 140 mm W/O COOLER REAR BRAKE | • | • |
| FLAT MOUNT 160 mm W COOLER REAR BRAKE | • | • |
| FLAT MOUNT 140/160 mm FRONT BRAKE | • | • |
| BB-STANDARD | | |
| PF 86 | | • |
| BB386 | • | |
| SEATPOST DIAMETER | | |
| 30.9 mm | • | • |
| REAR DROPOUT-STANDARD | | |
| THRU AXLE 12x142 mm | • | • |
| FRONT AXLE STANDARD | | |
| THRU AXLE 12x100 mm | • | • |
| CABLE ROUTING | | |
| INTERNAL SHIFTING CABLES | • | • |
| INTERNAL BRAKE CABLE | • | • |
| EQUIPMENT OPTIONS | | |
| CARRIER MOUNT FRAME | • | • |
| CARRIER MOUNT FORK | • | • |
| FENDER MOUNT FRAME | • | • |
| FENDER MOUNT FORK | • | • |
| FRONT LIGHT MOUNT ON CROWN | • | • |
| FD-STANDARD | | |
| BRAZED ON | • | |
| CLAMP (DIAMETER: 34.9 mm) | | • |
| FRAME WEIGHT* | 1090g size M +/- 3% | 1900g size M +/- 3% |
| FORK WEIGHT | 520g +/- 3% | 520g +/- 3% |
| RD HANGER | DH-054 and DH-065 | |

* Frame weight only at size M (+/- 3%): Without axle, frame protectors, saddle clamp, hanger, steerer cups and cable guides (weight is also depending on the frame color)



| No. | Item No. | Item | Detail information | Pieces | Torque Nm |
|-----|------------|-------------|-------------------------|--------|-----------|
| 1 | 2300011586 | SCREW | | 1 | 5 |
| 2 | 2300011746 | SCREW | | 1 | 5 |
| 3 | 2302002031 | NUT | | 1 | |
| 4 | 2311004984 | DROPOUT | DH - 054 (see page 609) | 1 | |
| 5 | 2240001072 | CABLE GUIDE | | 1 | |
| 6 | 2298009854 | SCREW | | 2 | 5 |



MISSION CX

ALL IN ONE

Developed for racing, but equally at home as a super commuter or a winter training bike. Our MISSION CX combines thoroughbred cyclo cross racing genes with a long list of features that make it a sophisticated and versatile 'day to day' bike. The MISSION CX offers not just a modern frame design but also an up-to-date geometry with plenty of tyre and toe clearance as well as the integration of the latest standards. For practicality, cables are internally routed, and mudguard mounts are included.



1

SMART ENTRY

On our MISSION CX models, cables, housings and brake hoses are clamped under tension to prevent rattling when the trail gets rough. All inlets are completely interchangeable to deal with Di2, hydraulic hoses, brake and gear cable housings etc.

2

ADAPTABILITY

All our MISSION CX models have the ability to add mudguards, making them more versatile, particularly when used as a training or commuting bike. The removable seat stay bridge (not available on aluminium models) stays in place to securely hold the rear mudguard or gets removed for a cleaner look and improved mud clearance.

3

BOLT THROUGH AXLES

Both carbon and aluminium frames feature 12 mm bolt through axle front and rear to provide extra frame stiffness. It's also very handy for realigning discs when reinstalling a wheel.

4

DISC BRAKES

All MISSION CX models are equipped with disc brakes, providing high-performance braking isolated from the weather and muddy conditions due to their location at the wheel's hub/centre. The MISSION CX models feature flat mount brake standard for a neat and flush positioning of the brake caliper.

5

CARBON FORK

All MISSION CX models feature a full carbon tapered fork with a 12 mm bolt through axle. The bolt through improves stiffness for the axle, whilst the tapered carbon steerer increases vertical stiffness, providing very precise steering and enhanced confidence in corners.

LOVED BY THE PRESS

Our new MISSION CX has managed to get an incredible amount of press since its launch date. Besides being awarded the 2019 Design & Innovation Award, it was also rated highly by BIKERUMOR, GRAN FONDO, Road.cc and IMB.

MISSION CX 7000

GREY/BLACK

CF3 Carbon frame with carbon dropouts. 'Nano Matrix' for extra impact resistance, Tapered head tube and 142x12 mm rear through axle provide stiffness and steering precision. 'Smart Entry' Internal cable routing, removable seat stay bridge and mudguard mounts. The flat mount rear caliper is mounted on the chainstay which is better for dissipating braking forces but also keeps it protected inside the rear triangle.

COMMUTING | FITNESS | OFF ROAD | RACE



| | |
|-----------------------|------------------------------------------------------------------------------------------------------------------------|
| FRAME | MISSION CX CF3, material: carbon, 700x35C max. wheelsize, 100x12/ 142x12mm axle standard, BB86 bottom bracket standard |
| FRAME SIZE | XS, S, M, L, XL |
| FORK | MISSION CX CF3, material: carbon, 700x35C max. wheelsize |
| BRAKES | Shimano Ultegra |
| ROTORS | Shimano RT64 |
| HEADSET | VP-B303AC Neck |
| HANDLEBAR | MERIDA EXPERT SL, material: aluminium, 380mm(XXS) , 400mm (XS-S) , 420mm (M) , 440mm (L-XL) |
| HANDLEBAR STEM | MERIDA EXPERT CC, 31.8mm diameter, material: aluminium, -5° stem angle, 80 mm-XS/S, 90 mm-M/L, 100 mm-XL |
| GRIP | MERIDA ROAD EXPERT |
| DERAILLEUR (F) | Shimano Ultegra |
| DERAILLEUR (R) | Shimano Ultegra RX, GS |
| SHIFTERS | Shimano Ultegra disc |
| SEAT POST | MERIDA EXPERT CC, material: carbon, 27.2mm diameter, 15mm setback |
| SEAT CLAMP | MERIDA EXPERT |
| SADDLE | MERIDA EXPERT CC |
| CHAIN | KMC X11 |

| | |
|-----------------------|--------------------------------------------------------------------------------------------------------------------------------------------------------------------------------------------------|
| CHAINWHEEL | Shimano Ultegra, 46-36 teeth, 170 mm-XS/S, 172.5 mm-M, 175 mm-L/XL |
| FREEWHEEL | Shimano CS-R7000, 11-30 teeth, 11 speed |
| BOTTOM BRACKET | SM-BB72-41B, Pressfit 86.5 |
| WHEELSET | Fulcrum Racing 700 DB, 100x12mm width front hub, 142x12mm width rear hub, 19mm inner width, 22mm height, Centerlock, material: aluminium, Tubeless ready (tubeless tape and valves not included) |
| AXLES | MERIDA EXPERT SL |
| SPOKES | attached |
| TIRES | Maxxis All Terrane |



MISSION CX 7000

PEARL WHITE/TEAL BLUE/LIME

CF3 Carbon frame with carbon dropouts. 'Nano Matrix' for extra impact resistance, Tapered head tube and 142x12 mm rear through axle provide stiffness and steering precision. 'Smart Entry' Internal cable routing, removable seat stay bridge and mudguard mounts. The flat mount rear caliper is mounted on the chainstay which is better for dissipating braking forces but also keeps it protected inside the rear triangle.

COMMUTING | FITNESS | OFF ROAD | RACE



| | |
|-----------------------|------------------------------------------------------------------------------------------------------------------------|
| FRAME | MISSION CX CF3, material: carbon, 700x35C max. wheelsize, 100x12/ 142x12mm axle standard, BB86 bottom bracket standard |
| FRAME SIZE | XS, S, M, L, XL |
| FORK | MISSION CX CF3, material: carbon, 700x35C max. wheelsize |
| BRAKES | Shimano Ultegra |
| ROTORS | Shimano RT64 |
| HEADSET | VP-B303AC Neck |
| HANDLEBAR | MERIDA EXPERT SL, material: aluminium, 380mm(XXS) , 400mm (XS-S) , 420mm (M) , 440mm (L-XL) |
| HANDLEBAR STEM | MERIDA EXPERT CC, 31.8mm diameter, material: aluminium, -5° stem angle, 80 mm-XS/S, 90 mm-M/L, 100 mm-XL |
| GRIP | MERIDA ROAD EXPERT |
| DERAILLEUR (F) | Shimano Ultegra |
| DERAILLEUR (R) | Shimano Ultegra RX, GS |
| SHIFTERS | Shimano Ultegra disc |
| SEAT POST | MERIDA EXPERT CC, material: carbon, 27.2mm diameter, 15mm setback |
| SEAT CLAMP | MERIDA EXPERT |
| SADDLE | MERIDA EXPERT CC |
| CHAIN | KMC X11 |

| | |
|-----------------------|--------------------------------------------------------------------------------------------------------------------------------------------------------------------------------------------------|
| CHAINWHEEL | Shimano Ultegra, 46-36 teeth, 170 mm-XS/S, 172.5 mm-M, 175 mm-L/XL |
| FREEWHEEL | Shimano CS-R7000, 11-30 teeth, 11 speed |
| BOTTOM BRACKET | SM-BB72-41B, Pressfit 86.5 |
| WHEELSET | Fulcrum Racing 700 DB, 100x12mm width front hub, 142x12mm width rear hub, 19mm inner width, 22mm height, Centerlock, material: aluminium, Tubeless ready (tubeless tape and valves not included) |
| AXLES | MERIDA EXPERT SL |
| SPOKES | attached |
| TIRES | Maxxis All Terrane |



MISSION CX 5000

GREY/BLACK

CF3 Carbon frame with carbon dropouts. 'Nano Matrix' for extra impact resistance, Tapered head tube and 142x12 mm rear through axle provide stiffness and steering precision. 'Smart Entry' Internal cable routing, removable seat stay bridge and mudguard mounts. The flat mount rear caliper is mounted on the chainstay which is better for dissipating braking forces but also keeps it protected inside the rear triangle.

| COMMUTING | FITNESS | OFF ROAD | RACE |



| | |
|-----------------------|------------------------------------------------------------------------------------------------------------------------|
| FRAME | MISSION CX CF3, material: carbon, 700x35C max. wheelsize, 100x12/ 142x12mm axle standard, BB86 bottom bracket standard |
| FRAME SIZE | XS, S, M, L, XL |
| FORK | MISSION CX CF3, material: carbon, 700x35C max. wheelsize |
| BRAKES | Sram Apex1 HRD |
| ROTORS | Sram CenterLine Rotor |
| HEADSET | VP-B303AC Neck |
| HANDLEBAR | MERIDA EXPERT SL, material: aluminium, 380mm(XXS) , 400mm (XS-S) , 420mm (M) , 440mm (L-XL) |
| HANDLEBAR STEM | MERIDA EXPERT CC, 31.8mm diameter, material: aluminium, -5° stem angle, 80 mm-XS/S, 90 mm-M/L, 100 mm-XL |
| GRIP | MERIDA ROAD EXPERT |
| DERAILLEUR (R) | Sram Apex1 |
| SHIFTERS | no / Sram Apex 1 HRD |
| SEAT POST | MERIDA EXPERT CC, material: carbon, 27.2mm diameter, 15mm setback |
| SEAT CLAMP | MERIDA EXPERT |
| SADDLE | MERIDA EXPERT CC |
| CHAIN | KMC X11 |
| CHAINWHEEL | Sram Apex1, 40 teeth, 170 mm-XS/S, 172.5 mm-M, 175 mm-L/XL |

| | |
|-----------------------|------------------------------------------------------------------------------------------------------------------------------|
| FREEWHEEL | Sram PG-1130, 11-42 teeth, 11 speed |
| BOTTOM BRACKET | Sram Presfit 86.5, Road wide |
| RIM | MERIDA EXPERT CX, 19mm inner width, 24mm height, material: aluminium, Tubeless ready (tubeless tape and valves not included) |
| HUBS | VP 173SB / VP 273SB |
| AXLES | MERIDA EXPERT SL |
| SPOKES | Black stainless |
| TIRES | Maxxis All Terrane |



MISSION CX 5000

MATT MOSS GREEN/OLIVE

CF3 Carbon frame with carbon dropouts. 'Nano Matrix' for extra impact resistance, Tapered head tube and 142x12 mm rear through axle provide stiffness and steering precision. 'Smart Entry' Internal cable routing, removable seat stay bridge and mudguard mounts. The flat mount rear caliper is mounted on the chainstay which is better for dissipating braking forces but also keeps it protected inside the rear triangle.

| COMMUTING | FITNESS | OFF ROAD | RACE |



| | |
|-----------------------|------------------------------------------------------------------------------------------------------------------------|
| FRAME | MISSION CX CF3, material: carbon, 700x35C max. wheelsize, 100x12/ 142x12mm axle standard, BB86 bottom bracket standard |
| FRAME SIZE | XS, S, M, L, XL |
| FORK | MISSION CX CF3, material: carbon, 700x35C max. wheelsize |
| BRAKES | Sram Apex1 HRD |
| ROTORS | Sram CenterLine Rotor |
| HEADSET | VP-B303AC Neck |
| HANDLEBAR | MERIDA EXPERT SL, material: aluminium, 380mm(XXS) , 400mm (XS-S) , 420mm (M) , 440mm (L-XL) |
| HANDLEBAR STEM | MERIDA EXPERT CC, 31.8mm diameter, material: aluminium, -5° stem angle, 80 mm-XS/S, 90 mm-M/L, 100 mm-XL |
| GRIP | MERIDA ROAD EXPERT |
| DERAILLEUR (R) | Sram Apex1 |
| SHIFTERS | no / Sram Apex 1 HRD |
| SEAT POST | MERIDA EXPERT CC, material: carbon, 27.2mm diameter, 15mm setback |
| SEAT CLAMP | MERIDA EXPERT |
| SADDLE | MERIDA EXPERT CC |
| CHAIN | KMC X11 |
| CHAINWHEEL | Sram Apex1, 40 teeth, 170 mm-XS/S, 172.5 mm-M, 175 mm-L/XL |

| | |
|-----------------------|------------------------------------------------------------------------------------------------------------------------------|
| FREEWHEEL | Sram PG-1130, 11-42 teeth, 11 speed |
| BOTTOM BRACKET | Sram Presfit 86.5, Road wide |
| RIM | MERIDA EXPERT CX, 19mm inner width, 24mm height, material: aluminium, Tubeless ready (tubeless tape and valves not included) |
| HUBS | VP 173SB / VP 273SB |
| AXLES | MERIDA EXPERT SL |
| SPOKES | Black stainless |
| TIRES | Maxxis All Terrane |



MISSION CX 600

SILK TITAN (BLACK/SILVER)

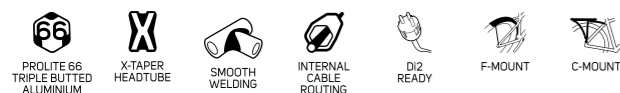
LITE Triple butted and hydroformed 6066 aluminium frame with smooth welding, 'Smart Entry' internal cable routing and mudguard mounts. Precise steering courtesy of a tapered head tube. The flat mount rear caliper is mounted on the chainstay which is better for dissipating braking forces but also keeps it protected inside the rear triangle.

| COMMUTING | FITNESS | OFF ROAD | RACE |



| | |
|-----------------------|----------------------------------------------------------------------------------------------------------------------------|
| FRAME | MISSION CX LITE, material: aluminium, 700x35C max. wheelsize, 100x12/ 142x12mm axle standard, BB86 bottom bracket standard |
| FRAME SIZE | XS, S, M, L, XL |
| FORK | MISSION CX CF3, material: carbon, 700x35C max. wheelsize |
| BRAKES | Sram Apex1 HRD |
| ROTORS | Sram CenterLine Rotor |
| HEADSET | MERIDA M2331 Neck |
| HANDLEBAR | MERIDA EXPERT SL, material: aluminium, 380mm(XXS) , 400mm (XS-S) , 420mm (M) , 440mm (L-XL) |
| HANDLEBAR STEM | MERIDA EXPERT CC, 31.8mm diameter, material: aluminium, -5° stem angle, 80 mm-XS/S, 90 mm-M/L, 100 mm-XL |
| GRIP | MERIDA ROAD EXPERT |
| DERAILLEUR (R) | Sram Apex1 |
| SHIFTERS | no / Sram Apex 1 HRD |
| SEAT POST | MERIDA EXPERT CC, material: carbon, 27.2mm diameter, 15mm setback |
| SEAT CLAMP | MERIDA EXPERT |
| SADDLE | MERIDA COMP SL, V-mount |
| CHAIN | KMC X11 |
| CHAINWHEEL | Sram Apex1, 40 teeth, 170 mm-XS/S, 172.5 mm-M, 175 mm-L/XL |

| | |
|-----------------------|------------------------------------------------------------------------------------------------------------------------------|
| FREEWHEEL | Sram PG-1130, 11-42 teeth, 11 speed |
| BOTTOM BRACKET | Sram Presfit 86.5, Road wide |
| RIM | MERIDA EXPERT CX, 19mm inner width, 24mm height, material: aluminium, Tubeless ready (tubeless tape and valves not included) |
| HUBS | VP 173SB / VP 273SB |
| AXLES | MERIDA EXPERT SL |
| SPOKES | Black stainless |
| TIRES | Maxxis Mud Wrestler |



MISSION CX 600

MATT DARK PURPLE (SILVER-GREEN)

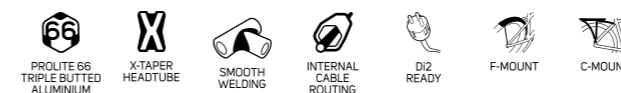
LITE Triple butted and hydroformed 6066 aluminium frame with smooth welding, 'Smart Entry' internal cable routing and mudguard mounts. Precise steering courtesy of a tapered head tube. The flat mount rear caliper is mounted on the chainstay which is better for dissipating braking forces but also keeps it protected inside the rear triangle.

| COMMUTING | FITNESS | OFF ROAD | RACE |



| | |
|-----------------------|----------------------------------------------------------------------------------------------------------------------------|
| FRAME | MISSION CX LITE, material: aluminium, 700x35C max. wheelsize, 100x12/ 142x12mm axle standard, BB86 bottom bracket standard |
| FRAME SIZE | XS, S, M, L, XL |
| FORK | MISSION CX CF3, material: carbon, 700x35C max. wheelsize |
| BRAKES | Sram Apex1 HRD |
| ROTORS | Sram CenterLine Rotor |
| HEADSET | MERIDA M2331 Neck |
| HANDLEBAR | MERIDA EXPERT SL, material: aluminium, 380mm(XXS) , 400mm (XS-S) , 420mm (M) , 440mm (L-XL) |
| HANDLEBAR STEM | MERIDA EXPERT CC, 31.8mm diameter, material: aluminium, -5° stem angle, 80 mm-XS/S, 90 mm-M/L, 100 mm-XL |
| GRIP | MERIDA ROAD EXPERT |
| DERAILLEUR (R) | Sram Apex1 |
| SHIFTERS | no / Sram Apex 1 HRD |
| SEAT POST | MERIDA EXPERT CC, material: carbon, 27.2mm diameter, 15mm setback |
| SEAT CLAMP | MERIDA EXPERT |
| SADDLE | MERIDA COMP SL, V-mount |
| CHAIN | KMC X11 |
| CHAINWHEEL | Sram Apex1, 40 teeth, 170 mm-XS/S, 172.5 mm-M, 175 mm-L/XL |

| | |
|-----------------------|------------------------------------------------------------------------------------------------------------------------------|
| FREEWHEEL | Sram PG-1130, 11-42 teeth, 11 speed |
| BOTTOM BRACKET | Sram Presfit 86.5, Road wide |
| RIM | MERIDA EXPERT CX, 19mm inner width, 24mm height, material: aluminium, Tubeless ready (tubeless tape and valves not included) |
| HUBS | VP 173SB / VP 273SB |
| AXLES | MERIDA EXPERT SL |
| SPOKES | Black stainless |
| TIRES | Maxxis Mud Wrestler |





MISSION CX 400

SILK TITAN (BLACK/SILVER)

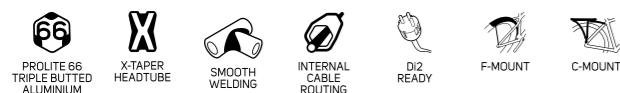
LITE Triple butted and hydroformed 6066 aluminium frame with smooth welding, 'Smart Entry' internal cable routing and mudguard mounts. Precise steering courtesy of a tapered head tube. The flat mount rear caliper is mounted on the chainstay which is better for dissipating braking forces but also keeps it protected inside the rear triangle.

| COMMUTING | FITNESS | OFF ROAD | RACE |



| | |
|-----------------------|----------------------------------------------------------------------------------------------------------------------------|
| FRAME | MISSION CX LITE, material: aluminium, 700x35C max. wheelsize, 100x12/ 142x12mm axle standard, BB86 bottom bracket standard |
| FRAME SIZE | XS, S, M, L, XL |
| FORK | MISSION CX CF3, material: carbon, 700x35C max. wheelsize |
| BRAKES | Shimano 105 |
| ROTORS | Shimano RT10 |
| HEADSET | MERIDA M2331 Neck |
| HANDLEBAR | MERIDA EXPERT SL, material: aluminium, 380mm(XXS) , 400mm (XS-S) , 420mm (M) , 440mm (L-XL) |
| HANDLEBAR STEM | MERIDA EXPERT CC, 31.8mm diameter, material: aluminium, -5° stem angle, 80 mm-XS/S, 90 mm-M/L, 100 mm-XL |
| GRIP | MERIDA ROAD EXPERT |
| DERAILLEUR (F) | Shimano 105 |
| DERAILLEUR (R) | Shimano 105, GS |
| SHIFTERS | Shimano 105 disc |
| SEAT POST | MERIDA COMP CC, 27.2mm diameter, 12mm setback |
| SEAT CLAMP | MERIDA EXPERT |
| SADDLE | MERIDA COMP SL, V-mount |
| CHAIN | KMC X11 |

| | |
|----------------------|----------------------------------------------------------------------------------------------------------------------------|
| CHAINWHEEL | Shimano RS510, 46-36 teeth, 170 mm-XS/S, 172.5 mm-M, 175 mm-L/XL |
| FREEWHEEL | Shimano CS-R7000, 11-30 teeth, 11 speed |
| BOTTOM BRAKET | SM-BB71-41B, Pressfit 86.5 |
| RIM | MERIDA COMP SL, 17mm inner width, 22mm height, material: aluminium, Tubeless ready (tubeless tape and valves not included) |
| HUBS | VP CLK170F / VP CLK270R |
| AXLES | MERIDA EXPERT SL |
| SPOKES | Black stainless |
| TIRES | Maxxis Mud Wrestler |



MISSION CX 400

SILK SAND (GREY/TURQUOISE)

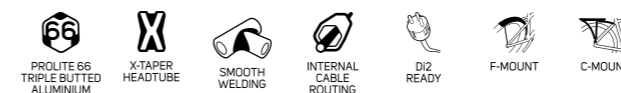
LITE Triple butted and hydroformed 6066 aluminium frame with smooth welding, 'Smart Entry' internal cable routing and mudguard mounts. Precise steering courtesy of a tapered head tube. The flat mount rear caliper is mounted on the chainstay which is better for dissipating braking forces but also keeps it protected inside the rear triangle.

| COMMUTING | FITNESS | OFF ROAD | RACE |



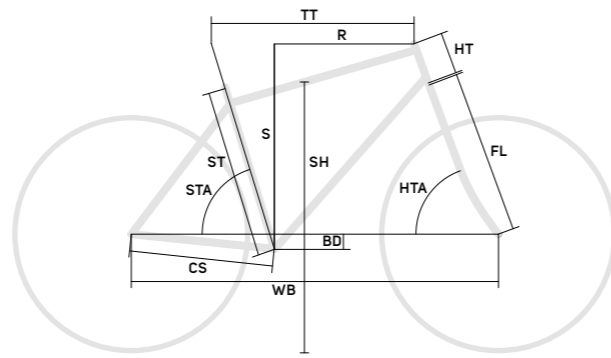
| | |
|-----------------------|----------------------------------------------------------------------------------------------------------------------------|
| FRAME | MISSION CX LITE, material: aluminium, 700x35C max. wheelsize, 100x12/ 142x12mm axle standard, BB86 bottom bracket standard |
| FRAME SIZE | XS, S, M, L, XL |
| FORK | MISSION CX CF3, material: carbon, 700x35C max. wheelsize |
| BRAKES | Shimano 105 |
| ROTORS | Shimano RT10 |
| HEADSET | MERIDA M2331 Neck |
| HANDLEBAR | MERIDA EXPERT SL, material: aluminium, 380mm(XXS) , 400mm (XS-S) , 420mm (M) , 440mm (L-XL) |
| HANDLEBAR STEM | MERIDA EXPERT CC, 31.8mm diameter, material: aluminium, -5° stem angle, 80 mm-XS/S, 90 mm-M/L, 100 mm-XL |
| GRIP | MERIDA ROAD EXPERT |
| DERAILLEUR (F) | Shimano 105 |
| DERAILLEUR (R) | Shimano 105, GS |
| SHIFTERS | Shimano 105 disc |
| SEAT POST | MERIDA COMP CC, 27.2mm diameter, 12mm setback |
| SEAT CLAMP | MERIDA EXPERT |
| SADDLE | MERIDA COMP SL, V-mount |
| CHAIN | KMC X11 |

| | |
|----------------------|----------------------------------------------------------------------------------------------------------------------------|
| CHAINWHEEL | Shimano RS510, 46-36 teeth, 170 mm-XS/S, 172.5 mm-M, 175 mm-L/XL |
| FREEWHEEL | Shimano CS-R7000, 11-30 teeth, 11 speed |
| BOTTOM BRAKET | SM-BB71-41B, Pressfit 86.5 |
| RIM | MERIDA COMP SL, 17mm inner width, 22mm height, material: aluminium, Tubeless ready (tubeless tape and valves not included) |
| HUBS | VP CLK170F / VP CLK270R |
| AXLES | MERIDA EXPERT SL |
| SPOKES | Black stainless |
| TIRES | Maxxis Mud Wrestler |



MISSION CX

GEOMETRIES



MISSION CX CF3

| FS Frame Size | XS | S | M | L | XL |
|-----------------------------|------|------|------|------|------|
| TS Tire Size | 28" | 28" | 28" | 28" | 28" |
| ST seat tube [mm] | 470 | 500 | 530 | 560 | 590 |
| TT top tube [mm] | 520 | 535 | 550 | 565 | 580 |
| CS chain stay length [mm] | 423 | 423 | 423 | 423 | 423 |
| HTA head tube angle [°] | 70,8 | 71 | 71,8 | 72 | 72,3 |
| STA seat tube angle [°] | 74 | 74 | 74 | 74 | 74 |
| BD bottom bracket drop [mm] | 68 | 68 | 68 | 68 | 68 |
| HT head tube [mm] | 90 | 109 | 125 | 144 | 163 |
| FL fork length [mm] | 400 | 400 | 400 | 400 | 400 |
| R reach [mm] | 373 | 382 | 392 | 401 | 411 |
| S stack [mm] | 514 | 533 | 553 | 572 | 591 |
| WB wheel base [mm] | 999 | 1013 | 1016 | 1029 | 1042 |
| SH stand over height [mm] | 719 | 747 | 774 | 802 | 826 |

MISSION CX LITE

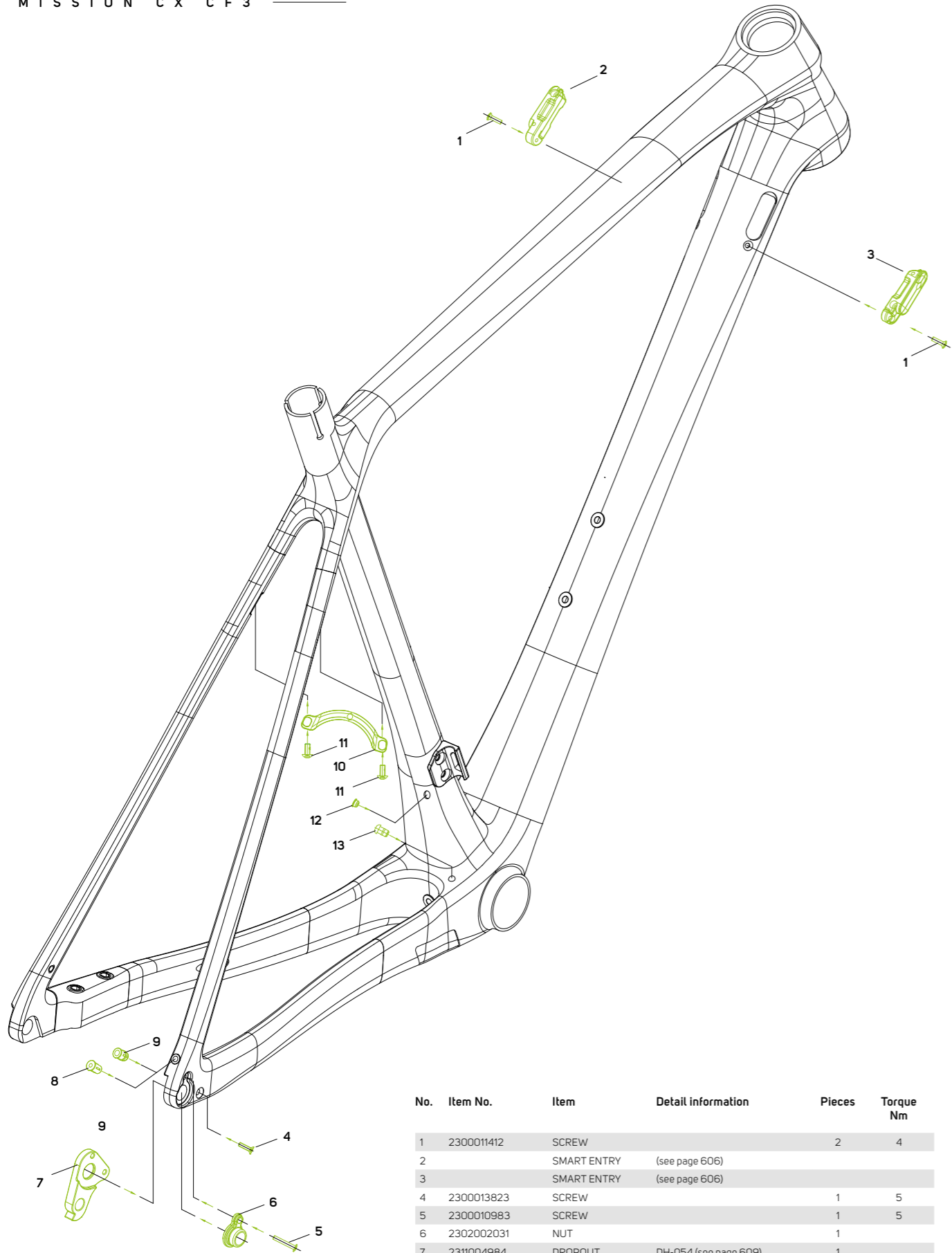
| FS Frame Size | XS | S | M | L | XL |
|-----------------------------|------|------|------|------|------|
| TS Tire Size | 28" | 28" | 28" | 28" | 28" |
| ST seat tube [mm] | 470 | 500 | 530 | 560 | 590 |
| TT top tube [mm] | 520 | 535 | 550 | 565 | 580 |
| CS chain stay length [mm] | 427 | 427 | 427 | 427 | 427 |
| HTA head tube angle [°] | 70,8 | 71 | 71,8 | 72 | 72,3 |
| STA seat tube angle [°] | 74 | 74 | 74 | 74 | 74 |
| BD bottom bracket drop [mm] | 68 | 68 | 68 | 68 | 68 |
| HT head tube [mm] | 90 | 109 | 125 | 144 | 163 |
| FL fork length [mm] | 400 | 400 | 400 | 400 | 400 |
| R reach [mm] | 373 | 382 | 392 | 401 | 411 |
| S stack [mm] | 514 | 533 | 553 | 572 | 591 |
| WB wheel base [mm] | 1003 | 1017 | 1020 | 1033 | 1046 |
| SH stand over height [mm] | 724 | 751 | 778 | 804 | 830 |



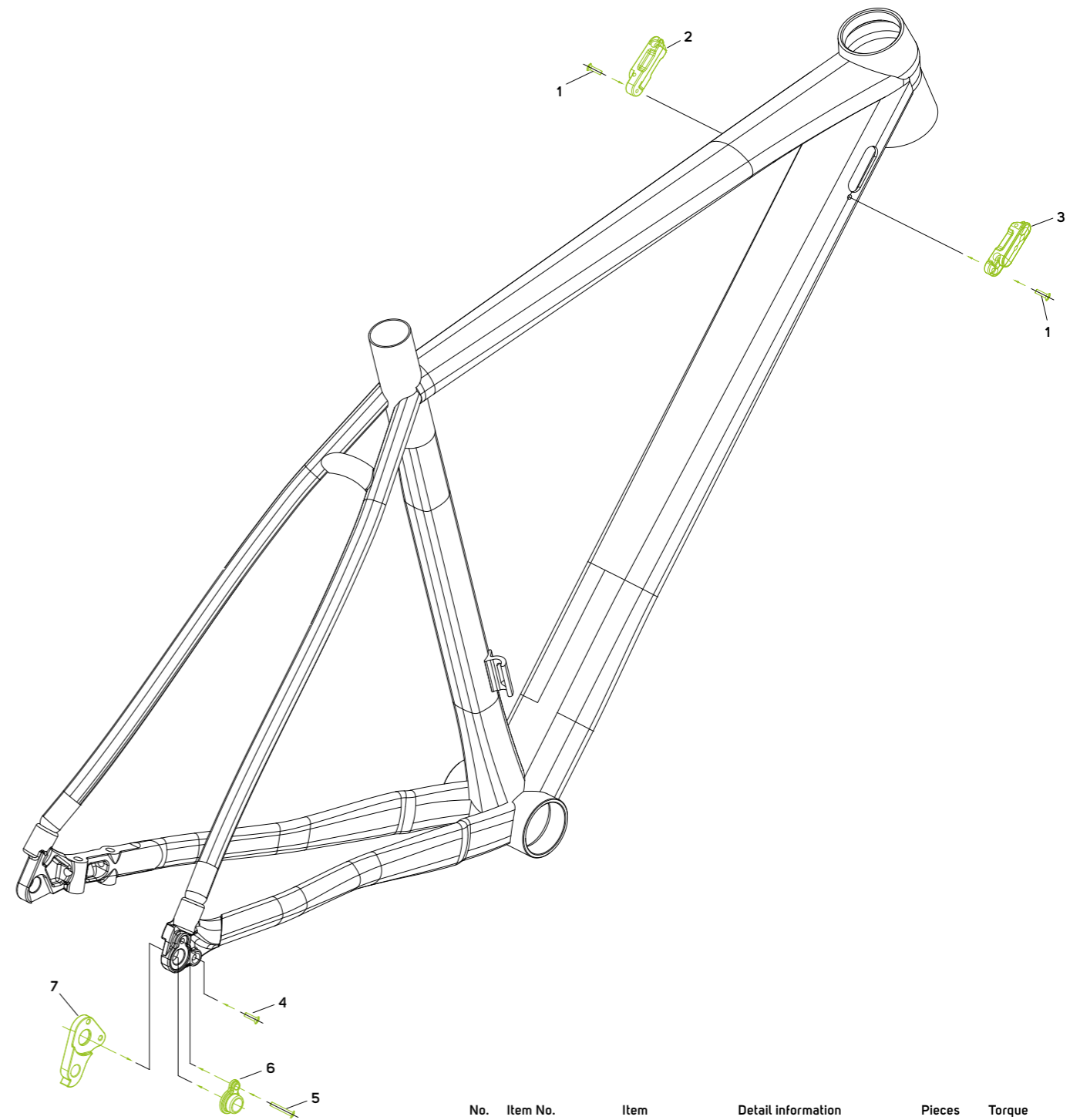
FRAME INTERFACES

| | CF3 | LITE |
|----------------------------------|--------------------|---------------------|
| MAX. WHEELSIZE | 700x35C | 700x35C |
| HEAD TUBE | | |
| 11/8" & 1 1/2" | • | • |
| HEADSET | | |
| SEMI-INTEGRATED (44-55 mm) | | • |
| INTEGRATED | • | |
| BRAKE STANDARD | | |
| FLAT MOUNT 140/160 mm REAR BRAKE | | • |
| FLAT MOUNT 160/180 mm REAR BRAKE | • | |
| BB-STANDARD | | |
| PF 86 | • | • |
| SEATPOST DIAMETER | | |
| 27.2 mm | • | • |
| REAR DROPOUT-STANDARD | | |
| THRU AXLE 12x142 mm | • | • |
| FRONT AXLE STANDARD | | |
| THRU AXLE 12x100 mm | • | • |
| CABLE ROUTING | | |
| INTERNAL SHIFTING CABLES | • | • |
| INTERNAL BRAKE CABLE | • | • |
| DI2-READY | • | • |
| EQUIPMENT OPTIONS | | |
| FENDER MOUNT FRAME | • | • |
| FENDER MOUNT FORK | • | • |
| FD-STANDARD | | |
| BRAZED ON | • | • |
| CLAMP (DIAMETER: 34.9 mm) | | |
| FRAME WEIGHT* | 945g size M +/- 3% | 1620g size M +/- 3% |
| FORK WEIGHT | 420g +/- 3% | 420g +/- 3% |
| RD HANGER | DH-054 and DH-065 | |

* Frame weight only at size M (+/- 3%): Without axle, frame protectors, saddle clamp, hanger, steerer cups and cable guides (weight is also depending on the frame color)



| No. | Item No. | Item | Detail information | Pieces | Torque Nm |
|-----|------------|-------------|-------------------------|--------|-----------|
| 1 | 2300011412 | SCREW | | 2 | 4 |
| 2 | | SMART ENTRY | (see page 606) | | |
| 3 | | SMART ENTRY | (see page 606) | | |
| 4 | 2300013823 | SCREW | | 1 | 5 |
| 5 | 2300010983 | SCREW | | 1 | 5 |
| 6 | 2302002031 | NUT | | 1 | |
| 7 | 2311004984 | DROPOUT | DH-054 (see page 609) | 1 | |
| 8 | 2143003387 | RUBBER PLUG | for Di2 version | 1 | |
| 9 | 2143003376 | RUBBER PLUG | for mechanical version | 1 | |
| 10 | 2030000310 | BRIDGE | needed for fender mount | 1 | |
| 11 | 2300012479 | SCREW | | 2 | 5 |
| 12 | 2143003514 | RUBBER PLUG | | 1 | |
| 13 | 2143003310 | RUBBER PLUG | | | |



| No. | Item No. | Item | Detail information | Pieces | Torque Nm |
|-----|------------|-------------|-----------------------|--------|-----------|
| 1 | 2300011412 | SCREW | | 2 | 4 |
| 2 | | SMART ENTRY | (see page 606) | | |
| 3 | | SMART ENTRY | (see page 606) | | |
| 4 | 2300011586 | SCREW | | 1 | 5 |
| 5 | 2300011746 | SCREW | | 1 | 5 |
| 6 | 2302002031 | NUT | | 1 | |
| 7 | 2311004984 | DROPOUT | DH-054 (see page 609) | 1 | |



WHEREVER YOUR BIKE TAKES YOU

TREKKING

As a reliable companion for commuting, a trip to the shops, a leisurely ride at the weekend or fitness training, our super versatile CROSSWAY range may prove the perfect partner for you. Built around durable yet lightweight aluminium frames and standing on fast rolling 700c wheels, these all-purpose bikes come in a variety of specifications and can be easily adapted to your day-to-day needs. Wherever you need to go and whatever you need to take, your CROSSWAY will take you there.

CROSSWAY

COMFORT AND ALL-ROUND FUNCTIONALITY

A perfect blend of comfort, enjoyment and all-round functionality, suitable for fitness training, commuting and leisurely rides through forests and on trails. Made from high-quality, lightweight aluminium, with the ability to mount mudguards, racks and kickstands, the CROSSWAY range is the perfect choice for everyday riding. Also available as a low step-through frame.



LOW STEP-THROUGH FRAMES

Most CROSSWAY models are also available in a low step-through frame, providing an opportunity to find the perfect fit without compromising on equipment and functionality.



5

TFS FRAME

Our CROSSWAY TFS frame gets a more 'urban' look but remains the link between our road and mountain bike frames in design and functionality. The steeply sloping top tube provides an excellent stand over height in every riding situation, and the newly added internal cable routing makes the frame look clean and protect the cables from moisture and dirt. The MTB inspired oversized tubing, and the tapered head tube provides superb frame stiffness and optimum steering precision.

1

SAFETY FIRST

All CROSSWAY 100 up to XT-EDITION models feature tyres with reflective strips on their sidewalls, improving visibility on the road.

2

HYDRAULIC DISC BRAKES

All models in the CROSSWAY family (with the exception of the 10-V) feature powerful and easy to modulate hydraulic disc brakes. Hydraulic disc brakes offer great stopping power in any weather, are more or less maintenance-free and are not affected by rough or kinked cables.

3

COMFORT

All our CROSSWAY models are equipped with suspension forks to iron out any surface bumps. Adjustable ahead stems and suspension seat posts are also fitted on most SPEED models, providing extra comfort and an adjustable riding position. The sportier TFS models feature a regular seat post and stem to reduce weight.

4

ADAPTABILITY

Mudguards, racks and kickstands can be added to all CROSSWAY models, making them usable in many circumstances.

CROSSWAY XT-EDITION

GLOSSY BLACK (MATT SILVER)

TFS II 6061 double butted and technoformed aluminium frame with new 'urban' look and internal cable routing. Tapered head tube for confidence-inspiring handling. Graceful lines with smooth welding. Equipped with mounts for rack, mudguards and kickstand.

URBAN | COMMUTING | LEISURE | FITNESS



| | |
|-----------------------|------------------------------------------------------------------------------------------------------------------|
| FRAME | CROSSWAY TFS II, material: aluminium, 700x50C max. wheelsize, 135x9mm axle standard, BSA bottom bracket standard |
| FRAME SIZE | XXS, XS, S, M, L, XL |
| FORK | Suntour NCX E-RL, Air, 63mm suspension travel, Remote Lockout, 700x50C max. wheelsize |
| BRAKES | Shimano MT-500 |
| ROTORS | Shimano RT10 |
| HEADSET | MERIDA M2340 Neck |
| HANDLEBAR | MERIDA COMP CC, material: aluminium, 660mm width, 25mm rise |
| HANDLEBAR STEM | MERIDA EXPERT CC, material: aluminium, 31.8mm diameter, 5° stem angle, 80 mm-XXS/XS/S, 90 mm-M/L, 100 mm-XL |
| GRIP | MERIDA EXPERT EC |
| DERAILLEUR (F) | Shimano XT |
| DERAILLEUR (R) | Shimano XT Shadow |
| SHIFTERS | Shimano XT |
| SEAT POST | MERIDA COMP CC, material: aluminium, 30.9mm diameter, 12mm setback |
| SEAT CLAMP | MERIDA EXPERT |
| SADDLE | MERIDA EXPERT TK, V-mount, incl. MERIDA minitool |
| PEDAL | VP VPE-891 |

| | |
|-----------------------|--------------------------------------------------------------------|
| CHAIN | KMC X10 |
| CHAINWHEEL | Shimano XT, 48-36-26 teeth, 170 mm-XXS/XS/S, 175 mm-M/XL |
| FREEWHEEL | Shimano HG500, 11-34 teeth, 10 speed |
| BOTTOM BRACKET | Shimano MT800 BSA |
| RIM | MERIDA COMP TK, 20mm inner width, 17mm height, material: aluminium |
| HUBS | Shimano M4050 |
| AXLES | QR |
| SPOKES | Black stainless |
| TIRES | Maxxis Overdrive II |



CROSSWAY XT-EDITION

MATT STEEL BLUE (DARK BLUE)

TFS II 6061 double butted and technoformed aluminium frame with new 'urban' look and internal cable routing. Tapered head tube for confidence-inspiring handling. Graceful lines with smooth welding. Equipped with mounts for rack, mudguards and kickstand.

URBAN | COMMUTING | LEISURE | FITNESS



| | |
|-----------------------|------------------------------------------------------------------------------------------------------------------|
| FRAME | CROSSWAY TFS II, material: aluminium, 700x50C max. wheelsize, 135x9mm axle standard, BSA bottom bracket standard |
| FRAME SIZE | XXS, XS, S, M, L, XL |
| FORK | Suntour NCX E-RL, Air, 63mm suspension travel, Remote Lockout, 700x50C max. wheelsize |
| BRAKES | Shimano MT-500 |
| ROTORS | Shimano RT10 |
| HEADSET | MERIDA M2340 Neck |
| HANDLEBAR | MERIDA COMP CC, material: aluminium, 660mm width, 25mm rise |
| HANDLEBAR STEM | MERIDA EXPERT CC, material: aluminium, 31.8mm diameter, 5° stem angle, 80 mm-XXS/XS/S, 90 mm-M/L, 100 mm-XL |
| GRIP | MERIDA EXPERT EC |
| DERAILLEUR (F) | Shimano XT |
| DERAILLEUR (R) | Shimano XT Shadow |
| SHIFTERS | Shimano XT |
| SEAT POST | MERIDA COMP CC, material: aluminium, 30.9mm diameter, 12mm setback |
| SEAT CLAMP | MERIDA EXPERT |
| SADDLE | MERIDA EXPERT TK, V-mount, incl. MERIDA minitool |
| PEDAL | VP VPE-891 |

| | |
|-----------------------|--------------------------------------------------------------------|
| CHAIN | KMC X10 |
| CHAINWHEEL | Shimano XT, 48-36-26 teeth, 170 mm-XXS/XS/S, 175 mm-M/XL |
| FREEWHEEL | Shimano HG500, 11-34 teeth, 10 speed |
| BOTTOM BRACKET | Shimano MT800 BSA |
| RIM | MERIDA COMP TK, 20mm inner width, 17mm height, material: aluminium |
| HUBS | Shimano M4050 |
| AXLES | QR |
| SPOKES | Black stainless |
| TIRES | Maxxis Overdrive II |



CROSSWAY L XT-EDITION

GLOSSY BLACK (MATT SILVER)

TFS II 6061 double butted and technoformed aluminium frame with new 'urban' look and internal cable routing. Tapered head tube for confidence-inspiring handling. Graceful lines with smooth welding. Equipped with mounts for rack, mudguards and kickstand.

URBAN | COMMUTING | LEISURE | FITNESS



| | |
|-----------------------|--------------------------------------------------------------------------------------------------------------------|
| FRAME | CROSSWAY L TFS II, material: aluminium, 700x50C max. wheelsize, 135x9mm axle standard, BSA bottom bracket standard |
| FRAME SIZE | XXS, XS, S, M, L |
| FORK | Suntour NCX E-RL, Air, 63mm suspension travel, Remote Lockout, 700x50C max. wheelsize |
| BRAKES | Shimano MT-500 |
| ROTORS | Shimano RT10 |
| HEADSET | MERIDA M2340 Neck |
| HANDLEBAR | MERIDA COMP CC, material: aluminium, 660mm width, 25mm rise |
| HANDLEBAR STEM | MERIDA EXPERT CC, material: aluminium, 31.8mm diameter, 5° stem angle, 80 mm-XXS/XS/S, 90 mm-M/L, 100 mm-XL |
| GRIP | MERIDA EXPERT EC |
| DERAILLEUR (F) | Shimano XT |
| DERAILLEUR (R) | Shimano XT Shadow |
| SHIFTERS | Shimano XT |
| SEAT POST | MERIDA COMP CC, material: aluminium, 30.9mm diameter, 12mm setback |
| SEAT CLAMP | MERIDA EXPERT |
| SADDLE | MERIDA EXPERT TK, V-mount, incl. MERIDA minitool |
| PEDAL | VP VPE-891 |

| | |
|-----------------------|--------------------------------------------------------------------|
| CHAIN | KMC X10 |
| CHAINWHEEL | Shimano XT, 48-36-26 teeth, 170 mm-XXS/XS/S, 175 mm-M/XL |
| FREEWHEEL | Shimano HG500, 11-34 teeth, 10 speed |
| BOTTOM BRACKET | Shimano MT800 BSA |
| RIM | MERIDA COMP TK, 20mm inner width, 17mm height, material: aluminium |
| HUBS | Shimano M4050 |
| AXLES | QR |
| SPOKES | Black stainless |
| TIRES | Maxxis Overdrive II |



CROSSWAY L XT-EDITION

MATT STEEL BLUE (DARK BLUE)

TFS II 6061 double butted and technoformed aluminium frame with new 'urban' look and internal cable routing. Tapered head tube for confidence-inspiring handling. Graceful lines with smooth welding. Equipped with mounts for rack, mudguards and kickstand.

URBAN | COMMUTING | LEISURE | FITNESS



| | |
|-----------------------|--------------------------------------------------------------------------------------------------------------------|
| FRAME | CROSSWAY L TFS II, material: aluminium, 700x50C max. wheelsize, 135x9mm axle standard, BSA bottom bracket standard |
| FRAME SIZE | XXS, XS, S, M, L |
| FORK | Suntour NCX E-RL, Air, 63mm suspension travel, Remote Lockout, 700x50C max. wheelsize |
| BRAKES | Shimano MT-500 |
| ROTORS | Shimano RT10 |
| HEADSET | MERIDA M2340 Neck |
| HANDLEBAR | MERIDA COMP CC, material: aluminium, 660mm width, 25mm rise |
| HANDLEBAR STEM | MERIDA EXPERT CC, material: aluminium, 31.8mm diameter, 5° stem angle, 80 mm-XXS/XS/S, 90 mm-M/L, 100 mm-XL |
| GRIP | MERIDA EXPERT EC |
| DERAILLEUR (F) | Shimano XT |
| DERAILLEUR (R) | Shimano XT Shadow |
| SHIFTERS | Shimano XT |
| SEAT POST | MERIDA COMP CC, material: aluminium, 30.9mm diameter, 12mm setback |
| SEAT CLAMP | MERIDA EXPERT |
| SADDLE | MERIDA EXPERT TK, V-mount, incl. MERIDA minitool |
| PEDAL | VP VPE-891 |

| | |
|-----------------------|--------------------------------------------------------------------|
| CHAIN | KMC X10 |
| CHAINWHEEL | Shimano XT, 48-36-26 teeth, 170 mm-XXS/XS/S, 175 mm-M/XL |
| FREEWHEEL | Shimano HG500, 11-34 teeth, 10 speed |
| BOTTOM BRACKET | Shimano MT800 BSA |
| RIM | MERIDA COMP TK, 20mm inner width, 17mm height, material: aluminium |
| HUBS | Shimano M4050 |
| AXLES | QR |
| SPOKES | Black stainless |
| TIRES | Maxxis Overdrive II |



CROSSWAY 500

GLOSSY BLACK (MATT SILVER)

TFS II 6061 double butted and technoformed aluminium frame with new 'urban' look and internal cable routing. Tapered head tube for confidence-inspiring handling. Graceful lines with smooth welding. Equipped with mounts for rack, mudguards and kickstand.

| URBAN | COMMUTING | LEISURE | FITNESS |



| | |
|-----------------------|------------------------------------------------------------------------------------------------------------------|
| FRAME | CROSSWAY TFS II, material: aluminium, 700x50C max. wheelsize, 135x9mm axle standard, BSA bottom bracket standard |
| FRAME SIZE | XXS, XS, S, M, L, XL |
| FORK | Suntour NCX D-RL, Coil, 63mm suspension travel, Remote Lockout, 700x50C max. wheelsize |
| BRAKES | Shimano MT-400 |
| ROTORS | Shimano RT10 |
| HEADSET | MERIDA M2340 Neck |
| HANDLEBAR | MERIDA COMP CC, material: aluminium, 660mm width, 25mm rise |
| HANDLEBAR STEM | MERIDA EXPERT CC, material: aluminium, 31.8mm diameter, 5° stem angle, 80 mm-XXS/XS/S, 90 mm-M/L, 100 mm-XL |
| GRIP | MERIDA EXPERT EC |
| DERAILLEUR (F) | Shimano Deore |
| DERAILLEUR (R) | Shimano XT Shadow |
| SHIFTERS | Shimano Deore |
| SEAT POST | MERIDA COMP CC, material: aluminium, 30.9mm diameter, 12mm setback |
| SEAT CLAMP | MERIDA EXPERT |
| SADDLE | MERIDA EXPERT TK, V-mount |
| PEDAL | VP VPE-891 |

| | |
|----------------------|--------------------------------------------------------------------|
| CHAIN | KMC X10 |
| CHAINWHEEL | FSA Alfa Drive, 48-36-26 teeth, 170 mm-XXS/XS/S, 175 mm-M/XL |
| FREEWHEEL | Shimano HG500, 11-34 teeth, 10 speed |
| BOTTOM BRAKET | FSA TH-7420ST Cartridge Bearing |
| RIM | MERIDA COMP TK, 20mm inner width, 17mm height, material: aluminium |
| HUBS | Shimano TX505 |
| AXLES | QR |
| SPOKES | Black stainless |
| TIRES | Maxxis Overdrive II |



CROSSWAY 500

MATT BURGUNDY RED (DARK RED)

TFS II 6061 double butted and technoformed aluminium frame with new 'urban' look and internal cable routing. Tapered head tube for confidence-inspiring handling. Graceful lines with smooth welding. Equipped with mounts for rack, mudguards and kickstand.

| URBAN | COMMUTING | LEISURE | FITNESS |



| | |
|-----------------------|------------------------------------------------------------------------------------------------------------------|
| FRAME | CROSSWAY TFS II, material: aluminium, 700x50C max. wheelsize, 135x9mm axle standard, BSA bottom bracket standard |
| FRAME SIZE | XXS, XS, S, M, L, XL |
| FORK | Suntour NCX D-RL, Coil, 63mm suspension travel, Remote Lockout, 700x50C max. wheelsize |
| BRAKES | Shimano MT-400 |
| ROTORS | Shimano RT10 |
| HEADSET | MERIDA M2340 Neck |
| HANDLEBAR | MERIDA COMP CC, material: aluminium, 660mm width, 25mm rise |
| HANDLEBAR STEM | MERIDA EXPERT CC, material: aluminium, 31.8mm diameter, 5° stem angle, 80 mm-XXS/XS/S, 90 mm-M/L, 100 mm-XL |
| GRIP | MERIDA EXPERT EC |
| DERAILLEUR (F) | Shimano Deore |
| DERAILLEUR (R) | Shimano XT Shadow |
| SHIFTERS | Shimano Deore |
| SEAT POST | MERIDA COMP CC, material: aluminium, 30.9mm diameter, 12mm setback |
| SEAT CLAMP | MERIDA EXPERT |
| SADDLE | MERIDA EXPERT TK, V-mount |
| PEDAL | VP VPE-891 |

| | |
|----------------------|--------------------------------------------------------------------|
| CHAIN | KMC X10 |
| CHAINWHEEL | FSA Alfa Drive, 48-36-26 teeth, 170 mm-XXS/XS/S, 175 mm-M/XL |
| FREEWHEEL | Shimano HG500, 11-34 teeth, 10 speed |
| BOTTOM BRAKET | FSA TH-7420ST Cartridge Bearing |
| RIM | MERIDA COMP TK, 20mm inner width, 17mm height, material: aluminium |
| HUBS | Shimano TX505 |
| AXLES | QR |
| SPOKES | Black stainless |
| TIRES | Maxxis Overdrive II |



CROSSWAY L 500

GLOSSY BLACK (MATT SILVER)

TFS II 6061 double butted and technoformed aluminium frame with new 'urban' look and internal cable routing. Tapered head tube for confidence-inspiring handling. Graceful lines with smooth welding. Equipped with mounts for rack, mudguards and kickstand.

| URBAN | COMMUTING | LEISURE | FITNESS |



| | |
|-----------------------|--------------------------------------------------------------------------------------------------------------------|
| FRAME | CROSSWAY L TFS II, material: aluminium, 700x50C max. wheelsize, 135x9mm axle standard, BSA bottom bracket standard |
| FRAME SIZE | XXS, XS, S, M, L |
| FORK | Suntour NCX D-RL, Coil, 63mm suspension travel, Remote Lockout, 700x50C max. wheelsize |
| BRAKES | Shimano MT-400 |
| ROTORS | Shimano RT10 |
| HEADSET | MERIDA M2340 Neck |
| HANDLEBAR | MERIDA COMP CC, material: aluminium, 660mm width, 25mm rise |
| HANDLEBAR STEM | MERIDA EXPERT CC, material: aluminium, 31.8mm diameter, 5° stem angle, 80 mm-XXS/XS/S, 90 mm-M/L, 100 mm-XL |
| GRIP | MERIDA EXPERT EC |
| DERAILLEUR (F) | Shimano Deore |
| DERAILLEUR (R) | Shimano XT Shadow |
| SHIFTERS | Shimano Deore |
| SEAT POST | MERIDA COMP CC, material: aluminium, 30.9mm diameter, 12mm setback |
| SEAT CLAMP | MERIDA EXPERT |
| SADDLE | MERIDA EXPERT TK, V-mount |
| PEDAL | VP VPE-891 |

| | |
|-----------------------|--------------------------------------------------------------------|
| CHAIN | KMC X10 |
| CHAINWHEEL | FSA Alfa Drive, 48-36-26 teeth, 170 mm-XXS/XS/S, 175 mm-M/XL |
| FREEWHEEL | Shimano HG500, 11-34 teeth, 10 speed |
| BOTTOM BRACKET | FSA TH-7420ST Cartridge Bearing |
| RIM | MERIDA COMP TK, 20mm inner width, 17mm height, material: aluminium |
| HUBS | Shimano TX505 |
| AXLES | QR |
| SPOKES | Black stainless |
| TIRES | Maxxis Overdrive II |



CROSSWAY L 500

MATT BURGUNDY RED (DARK RED)

TFS II 6061 double butted and technoformed aluminium frame with new 'urban' look and internal cable routing. Tapered head tube for confidence-inspiring handling. Graceful lines with smooth welding. Equipped with mounts for rack, mudguards and kickstand.

| URBAN | COMMUTING | LEISURE | FITNESS |



| | |
|-----------------------|--------------------------------------------------------------------------------------------------------------------|
| FRAME | CROSSWAY L TFS II, material: aluminium, 700x50C max. wheelsize, 135x9mm axle standard, BSA bottom bracket standard |
| FRAME SIZE | XXS, XS, S, M, L |
| FORK | Suntour NCX D-RL, Coil, 63mm suspension travel, Remote Lockout, 700x50C max. wheelsize |
| BRAKES | Shimano MT-400 |
| ROTORS | Shimano RT10 |
| HEADSET | MERIDA M2340 Neck |
| HANDLEBAR | MERIDA COMP CC, material: aluminium, 660mm width, 25mm rise |
| HANDLEBAR STEM | MERIDA EXPERT CC, material: aluminium, 31.8mm diameter, 5° stem angle, 80 mm-XXS/XS/S, 90 mm-M/L, 100 mm-XL |
| GRIP | MERIDA EXPERT EC |
| DERAILLEUR (F) | Shimano Deore |
| DERAILLEUR (R) | Shimano XT Shadow |
| SHIFTERS | Shimano Deore |
| SEAT POST | MERIDA COMP CC, material: aluminium, 30.9mm diameter, 12mm setback |
| SEAT CLAMP | MERIDA EXPERT |
| SADDLE | MERIDA EXPERT TK, V-mount |
| PEDAL | VP VPE-891 |

| | |
|-----------------------|--------------------------------------------------------------------|
| CHAIN | KMC X10 |
| CHAINWHEEL | FSA Alfa Drive, 48-36-26 teeth, 170 mm-XXS/XS/S, 175 mm-M/XL |
| FREEWHEEL | Shimano HG500, 11-34 teeth, 10 speed |
| BOTTOM BRACKET | FSA TH-7420ST Cartridge Bearing |
| RIM | MERIDA COMP TK, 20mm inner width, 17mm height, material: aluminium |
| HUBS | Shimano TX505 |
| AXLES | QR |
| SPOKES | Black stainless |
| TIRES | Maxxis Overdrive II |



CROSSWAY 300

GLOSSY BLACK (MATT SILVER)

TFS II 6061 double butted and technoformed aluminium frame with new 'urban' look and internal cable routing. Tapered head tube for confidence-inspiring handling. Graceful lines with smooth welding. Equipped with mounts for rack, mudguards and kickstand.

URBAN | COMMUTING | LEISURE | FITNESS



| | |
|-----------------------|------------------------------------------------------------------------------------------------------------------|
| FRAME | CROSSWAY TFS II, material: aluminium, 700x50C max. wheelsize, 135x9mm axle standard, BSA bottom bracket standard |
| FRAME SIZE | XXS, XS, S, M, L, XL |
| FORK | Suntour NCX-D LO, Coil, 63mm suspension travel, Lockout, 700x50C max. wheelsize |
| BRAKES | Tektro M275 |
| ROTORS | Shimano RT10 |
| HEADSET | MERIDA M2346 Neck |
| HANDLEBAR | MERIDA COMP CC, material: aluminium, 660mm width, 25mm rise |
| HANDLEBAR STEM | MERIDA COMP TK, material: aluminium, 31.8mm diameter, adjustable, 95 mm-XXS/XS/S/M, 110 mm-L/XL |
| GRIP | MERIDA EXPERT EC |
| DERAILLEUR (F) | Shimano Deore |
| DERAILLEUR (R) | Shimano Deore |
| SHIFTERS | Shimano Deore |
| SEAT POST | MERIDA TK, 30.9mm diameter, 10mm setback, 40mm seatpost suspension travel |
| SEAT CLAMP | MERIDA EXPERT |
| SADDLE | MERIDA Cross Sport |
| PEDAL | VP VPE-891 |

| | |
|-----------------------|--------------------------------------------------------------------|
| CHAIN | KMC X10 |
| CHAINWHEEL | FSA Alfa Drive, 48-36-26 teeth, 170 mm-XXS/XS/S, 175 mm-M/XL |
| FREEWHEEL | Shimano HG500, 11-34 teeth, 10 speed |
| BOTTOM BRACKET | FSA TH-7420ST Cartridge Bearing |
| RIM | MERIDA COMP TK, 20mm inner width, 17mm height, material: aluminium |
| HUBS | Shimano TX505 |
| AXLES | QR |
| SPOKES | Black stainless |
| TIRES | Maxxis Overdrive Excel |



CROSSWAY 300

MATT FOG GREEN (DARK GREEN)

TFS II 6061 double butted and technoformed aluminium frame with new 'urban' look and internal cable routing. Tapered head tube for confidence-inspiring handling. Graceful lines with smooth welding. Equipped with mounts for rack, mudguards and kickstand.

URBAN | COMMUTING | LEISURE | FITNESS



| | |
|-----------------------|------------------------------------------------------------------------------------------------------------------|
| FRAME | CROSSWAY TFS II, material: aluminium, 700x50C max. wheelsize, 135x9mm axle standard, BSA bottom bracket standard |
| FRAME SIZE | XXS, XS, S, M, L, XL |
| FORK | Suntour NCX-D LO, Coil, 63mm suspension travel, Lockout, 700x50C max. wheelsize |
| BRAKES | Tektro M275 |
| ROTORS | Shimano RT10 |
| HEADSET | MERIDA M2346 Neck |
| HANDLEBAR | MERIDA COMP CC, material: aluminium, 660mm width, 25mm rise |
| HANDLEBAR STEM | MERIDA COMP TK, material: aluminium, 31.8mm diameter, adjustable, 95 mm-XXS/XS/S/M, 110 mm-L/XL |
| GRIP | MERIDA EXPERT EC |
| DERAILLEUR (F) | Shimano Deore |
| DERAILLEUR (R) | Shimano Deore |
| SHIFTERS | Shimano Deore |
| SEAT POST | MERIDA TK, 30.9mm diameter, 10mm setback, 40mm seatpost suspension travel |
| SEAT CLAMP | MERIDA EXPERT |
| SADDLE | MERIDA Cross Sport |
| PEDAL | VP VPE-891 |

| | |
|-----------------------|--------------------------------------------------------------------|
| CHAIN | KMC X10 |
| CHAINWHEEL | FSA Alfa Drive, 48-36-26 teeth, 170 mm-XXS/XS/S, 175 mm-M/XL |
| FREEWHEEL | Shimano HG500, 11-34 teeth, 10 speed |
| BOTTOM BRACKET | FSA TH-7420ST Cartridge Bearing |
| RIM | MERIDA COMP TK, 20mm inner width, 17mm height, material: aluminium |
| HUBS | Shimano TX505 |
| AXLES | QR |
| SPOKES | Black stainless |
| TIRES | Maxxis Overdrive Excel |



CROSSWAY L 300

GLOSSY BLACK (MATT SILVER)

TFS II 6061 double butted and technoformed aluminium frame with new 'urban' look and internal cable routing. Tapered head tube for confidence-inspiring handling. Graceful lines with smooth welding. Equipped with mounts for rack, mudguards and kickstand.

| URBAN | COMMUTING | LEISURE | FITNESS |



| | |
|-----------------------|--------------------------------------------------------------------------------------------------------------------|
| FRAME | CROSSWAY L TFS II, material: aluminium, 700x50C max. wheelsize, 135x9mm axle standard, BSA bottom bracket standard |
| FRAME SIZE | XXS, XS, S, M, L |
| FORK | Suntour NCX-D LO, Coil, 63mm suspension travel, Lockout, 700x50C max. wheelsize |
| BRAKES | Tektro M275 |
| ROTORS | Shimano RT10 |
| HEADSET | MERIDA M2346 Neck |
| HANDLEBAR | MERIDA COMP CC, material: aluminium, 660mm width, 25mm rise |
| HANDLEBAR STEM | MERIDA COMP TK, material: aluminium, 31.8mm diameter, adjustable, 95 mm-XXS/XS/S/M, 110 mm-L/XL |
| GRIP | MERIDA EXPERT EC |
| DERAILLEUR (F) | Shimano Deore |
| DERAILLEUR (R) | Shimano Deore |
| SHIFTERS | Shimano Deore |
| SEAT POST | MERIDA TK, 30.9mm diameter, 10mm setback, 40mm seatpost suspension travel |
| SEAT CLAMP | MERIDA EXPERT |
| SADDLE | MERIDA Cross Sport |
| PEDAL | VP VPE-891 |

| | |
|-----------------------|--------------------------------------------------------------------|
| CHAIN | KMC X10 |
| CHAINWHEEL | FSA Alfa Drive, 48-36-26 teeth, 170 mm-XXS/XS/S, 175 mm-M/XL |
| FREEWHEEL | Shimano HG500, 11-34 teeth, 10 speed |
| BOTTOM BRACKET | FSA TH-7420ST Cartridge Bearing |
| RIM | MERIDA COMP TK, 20mm inner width, 17mm height, material: aluminium |
| HUBS | Shimano TX505 |
| AXLES | QR |
| SPOKES | Black stainless |
| TIRES | Maxxis Overdrive Excel |



CROSSWAY L 300

MATT FOG GREEN (DARK GREEN)

TFS II 6061 double butted and technoformed aluminium frame with new 'urban' look and internal cable routing. Tapered head tube for confidence-inspiring handling. Graceful lines with smooth welding. Equipped with mounts for rack, mudguards and kickstand.

| URBAN | COMMUTING | LEISURE | FITNESS |



| | |
|-----------------------|--------------------------------------------------------------------------------------------------------------------|
| FRAME | CROSSWAY L TFS II, material: aluminium, 700x50C max. wheelsize, 135x9mm axle standard, BSA bottom bracket standard |
| FRAME SIZE | XXS, XS, S, M, L |
| FORK | Suntour NCX-D LO, Coil, 63mm suspension travel, Lockout, 700x50C max. wheelsize |
| BRAKES | Tektro M275 |
| ROTORS | Shimano RT10 |
| HEADSET | MERIDA M2346 Neck |
| HANDLEBAR | MERIDA COMP CC, material: aluminium, 660mm width, 25mm rise |
| HANDLEBAR STEM | MERIDA COMP TK, material: aluminium, 31.8mm diameter, adjustable, 95 mm-XXS/XS/S/M, 110 mm-L/XL |
| GRIP | MERIDA EXPERT EC |
| DERAILLEUR (F) | Shimano Deore |
| DERAILLEUR (R) | Shimano Deore |
| SHIFTERS | Shimano Deore |
| SEAT POST | MERIDA TK, 30.9mm diameter, 10mm setback, 40mm seatpost suspension travel |
| SEAT CLAMP | MERIDA EXPERT |
| SADDLE | MERIDA Cross Sport |
| PEDAL | VP VPE-891 |

| | |
|-----------------------|--------------------------------------------------------------------|
| CHAIN | KMC X10 |
| CHAINWHEEL | FSA Alfa Drive, 48-36-26 teeth, 170 mm-XXS/XS/S, 175 mm-M/XL |
| FREEWHEEL | Shimano HG500, 11-34 teeth, 10 speed |
| BOTTOM BRACKET | FSA TH-7420ST Cartridge Bearing |
| RIM | MERIDA COMP TK, 20mm inner width, 17mm height, material: aluminium |
| HUBS | Shimano TX505 |
| AXLES | QR |
| SPOKES | Black stainless |
| TIRES | Maxxis Overdrive Excel |



CROSSWAY 100

GLOSSY BLACK (MATT SILVER)

TFS II 6061 double butted and technoformed aluminium frame with new 'urban' look and internal cable routing. Tapered head tube for confidence-inspiring handling. Graceful lines with smooth welding. Equipped with mounts for rack, mudguards and kickstand.

URBAN | COMMUTING | LEISURE | FITNESS



| | |
|-----------------------|------------------------------------------------------------------------------------------------------------------|
| FRAME | CROSSWAY TFS II, material: aluminium, 700x50C max. wheelsize, 135x9mm axle standard, BSA bottom bracket standard |
| FRAME SIZE | XXS, XS, S, M, L, XL |
| FORK | Suntour NEX HLO, Coil, 63mm suspension travel, Lockout, 700x48C max. wheelsize |
| BRAKES | Tektro M275 |
| ROTORS | Shimano RT10 |
| HEADSET | MERIDA M2346 Neck |
| HANDLEBAR | MERIDA COMP CC, material: aluminium, 660mm width, 25mm rise |
| HANDLEBAR STEM | MERIDA COMP TK, material: aluminium, 31.8mm diameter, adjustable, 95 mm-XXS/XS/S/M, 110 mm-L/XL |
| GRIP | MERIDA EXPERT EC |
| DERAILLEUR (F) | Shimano M370 |
| DERAILLEUR (R) | Shimano Alivio |
| SHIFTERS | Shimano Altus |
| SEAT POST | MERIDA TK, 30.9mm diameter, 10mm setback, 40mm seatpost suspension travel |
| SEAT CLAMP | MERIDA EXPERT |
| SADDLE | MERIDA Cross Sport |
| PEDAL | VP VPE-891 |

| | |
|-----------------------|--------------------------------------------------------------------|
| CHAIN | KMC M99 |
| CHAINWHEEL | SAMOX, AF29-321SSS-P, 170 mm-XXS/XS/S, 175 mm-M/XL |
| FREEWHEEL | Shimano HG200, 11-34 teeth, 9 speed |
| BOTTOM BRACKET | FSA TH-7420ST Cartridge Bearing |
| RIM | MERIDA COMP TK, 20mm inner width, 17mm height, material: aluminium |
| HUBS | Shimano TX505 |
| AXLES | QR |
| SPOKES | Black stainless |
| TIRES | Maxxis Overdrive Excel |



CROSSWAY 100

TEAL-BLUE (SILVER-BLUE/LIME)

TFS II 6061 double butted and technoformed aluminium frame with new 'urban' look and internal cable routing. Tapered head tube for confidence-inspiring handling. Graceful lines with smooth welding. Equipped with mounts for rack, mudguards and kickstand.

URBAN | COMMUTING | LEISURE | FITNESS



| | |
|-----------------------|------------------------------------------------------------------------------------------------------------------|
| FRAME | CROSSWAY TFS II, material: aluminium, 700x50C max. wheelsize, 135x9mm axle standard, BSA bottom bracket standard |
| FRAME SIZE | XXS, XS, S, M, L, XL |
| FORK | Suntour NEX HLO, Coil, 63mm suspension travel, Lockout, 700x48C max. wheelsize |
| BRAKES | Tektro M275 |
| ROTORS | Shimano RT10 |
| HEADSET | MERIDA M2346 Neck |
| HANDLEBAR | MERIDA COMP CC, material: aluminium, 660mm width, 25mm rise |
| HANDLEBAR STEM | MERIDA COMP TK, material: aluminium, 31.8mm diameter, adjustable, 95 mm-XXS/XS/S/M, 110 mm-L/XL |
| GRIP | MERIDA EXPERT EC |
| DERAILLEUR (F) | Shimano M370 |
| DERAILLEUR (R) | Shimano Alivio |
| SHIFTERS | Shimano Altus |
| SEAT POST | MERIDA TK, 30.9mm diameter, 10mm setback, 40mm seatpost suspension travel |
| SEAT CLAMP | MERIDA EXPERT |
| SADDLE | MERIDA Cross Sport |
| PEDAL | VP VPE-891 |

| | |
|-----------------------|--------------------------------------------------------------------|
| CHAIN | KMC M99 |
| CHAINWHEEL | SAMOX, AF29-321SSS-P, 170 mm-XXS/XS/S, 175 mm-M/XL |
| FREEWHEEL | Shimano HG200, 11-34 teeth, 9 speed |
| BOTTOM BRACKET | FSA TH-7420ST Cartridge Bearing |
| RIM | MERIDA COMP TK, 20mm inner width, 17mm height, material: aluminium |
| HUBS | Shimano TX505 |
| AXLES | QR |
| SPOKES | Black stainless |
| TIRES | Maxxis Overdrive Excel |



CROSSWAY L 100

GLOSSY BLACK (MATT SILVER)

TFS II 6061 double butted and technoformed aluminium frame with new 'urban' look and internal cable routing. Tapered head tube for confidence-inspiring handling. Graceful lines with smooth welding. Equipped with mounts for rack, mudguards and kickstand.

URBAN | COMMUTING | LEISURE | FITNESS



| | |
|-----------------------|--------------------------------------------------------------------------------------------------------------------|
| FRAME | CROSSWAY L TFS II, material: aluminium, 700x50C max. wheelsize, 135x9mm axle standard, BSA bottom bracket standard |
| FRAME SIZE | XXS, XS, S, M, L |
| FORK | Suntour NEX HLO, Coil, 63mm suspension travel, Lockout, 700x48C max. wheelsize |
| BRAKES | Tektro M275 |
| ROTORS | Shimano RT10 |
| HEADSET | MERIDA M2346 Neck |
| HANDLEBAR | MERIDA COMP CC, material: aluminium, 660mm width, 25mm rise |
| HANDLEBAR STEM | MERIDA COMP TK, material: aluminium, 31.8mm diameter, adjustable, 95 mm-XXS/XS/S/M, 110 mm-L/XL |
| GRIP | MERIDA EXPERT EC |
| DERAILLEUR (F) | Shimano M370 |
| DERAILLEUR (R) | Shimano Alivio |
| SHIFTERS | Shimano Altus |
| SEAT POST | MERIDA TK, 30.9mm diameter, 10mm setback, 40mm seatpost suspension travel |
| SEAT CLAMP | MERIDA EXPERT |
| SADDLE | MERIDA Cross Sport |
| PEDAL | VP VPE-891 |

| | |
|-----------------------|--------------------------------------------------------------------|
| CHAIN | KMC M99 |
| CHAINWHEEL | SAMOX, AF29-321SSS-P, 170 mm-XXS/XS/S, 175 mm-M/XL |
| FREEWHEEL | Shimano HG200, 11-34 teeth, 9 speed |
| BOTTOM BRACKET | FSA TH-7420ST Cartridge Bearing |
| RIM | MERIDA COMP TK, 20mm inner width, 17mm height, material: aluminium |
| HUBS | Shimano TX505 |
| AXLES | QR |
| SPOKES | Black stainless |
| TIRES | Maxxis Overdrive Excel |



CROSSWAY L 100

TEAL-BLUE (SILVER-BLUE/LIME)

TFS II 6061 double butted and technoformed aluminium frame with new 'urban' look and internal cable routing. Tapered head tube for confidence-inspiring handling. Graceful lines with smooth welding. Equipped with mounts for rack, mudguards and kickstand.

URBAN | COMMUTING | LEISURE | FITNESS




| | |
|-----------------------|--------------------------------------------------------------------------------------------------------------------|
| FRAME | CROSSWAY L TFS II, material: aluminium, 700x50C max. wheelsize, 135x9mm axle standard, BSA bottom bracket standard |
| FRAME SIZE | XXS, XS, S, M, L |
| FORK | Suntour NEX HLO, Coil, 63mm suspension travel, Lockout, 700x48C max. wheelsize |
| BRAKES | Tektro M275 |
| ROTORS | Shimano RT10 |
| HEADSET | MERIDA M2346 Neck |
| HANDLEBAR | MERIDA COMP CC, material: aluminium, 660mm width, 25mm rise |
| HANDLEBAR STEM | MERIDA COMP TK, material: aluminium, 31.8mm diameter, adjustable, 95 mm-XXS/XS/S/M, 110 mm-L/XL |
| GRIP | MERIDA EXPERT EC |
| DERAILLEUR (F) | Shimano M370 |
| DERAILLEUR (R) | Shimano Alivio |
| SHIFTERS | Shimano Altus |
| SEAT POST | MERIDA TK, 30.9mm diameter, 10mm setback, 40mm seatpost suspension travel |
| SEAT CLAMP | MERIDA EXPERT |
| SADDLE | MERIDA Cross Sport |
| PEDAL | VP VPE-891 |

| | |
|-----------------------|--------------------------------------------------------------------|
| CHAIN | KMC M99 |
| CHAINWHEEL | SAMOX, AF29-321SSS-P, 170 mm-XXS/XS/S, 175 mm-M/XL |
| FREEWHEEL | Shimano HG200, 11-34 teeth, 9 speed |
| BOTTOM BRACKET | FSA TH-7420ST Cartridge Bearing |
| RIM | MERIDA COMP TK, 20mm inner width, 17mm height, material: aluminium |
| HUBS | Shimano TX505 |
| AXLES | QR |
| SPOKES | Black stainless |
| TIRES | Maxxis Overdrive Excel |



CROSSWAY 40

SILK ANTHRACITE (GREY/BLACK)

 **SPEED** 6061 double butted and technoformed aluminium frame. Equipped with mounts for rack, mudguards and kickstand.

| URBAN | COMMUTING | LEISURE | FITNESS |




| | |
|-----------------------|-----------------------------------------------------------------------------------------------------------------|
| FRAME | CROSSWAY SPEED, material: aluminium, 700x42C max. wheelsize, 135x9mm axle standard, BSA bottom bracket standard |
| FRAME SIZE | XXS, XS, S, S/M, M/L, L, XL, XXL |
| FORK | Suntour NEX HLO, Coil, 63mm suspension travel, lockout, 700x50C max. wheelsize |
| BRAKES | Shimano ST-EF505 |
| ROTORS | Shimano RT10 |
| HEADSET | FSA TH888/NO.10 |
| HANDLEBAR | MERIDA CC, material: aluminium, 660mm width, 25mm rise |
| HANDLEBAR STEM | MERIDA TK, material: aluminium, 25.4mm diameter, adjustable, 100 mm all sizes |
| GRIP | MERIDA EC |
| DERAILLEUR (F) | Shimano FD-M370 |
| DERAILLEUR (R) | Shimano RD-M370 |
| SHIFTERS | Shimano ST-EF505 |
| SEAT POST | MERIDA TK, 27.2mm diameter, 13mm setback, 40mm seatpost suspension travel |
| SEAT CLAMP | MERIDA COMP QR |
| SADDLE | MERIDA Cross Sport |
| PEDAL | VP VPE-891 |

| | |
|----------------------|---------------------------------------------------------------|
| CHAIN | KMC M99 |
| CHAINWHEEL | Shimano FC-M371, 48-36-26 teeth, 170 mm-XXS/SM, 175 mm-ML/XXL |
| FREEWHEEL | Shimano CS-HG200, 11-32 teeth, 9 speed |
| BOTTOM BRAKET | FSA TH-7420ST-W, Cartridge Bearing |
| RIM | MERIDA CC, 17mm inner width, material: aluminium |
| HUBS | Shimano TX505 |
| SPOKES | Black steel |
| TIRES | MERIDA K1171 |



CROSSWAY 40

LIGHT LIME (OLIVE/BLACK)

 **SPEED** 6061 double butted and technoformed aluminium frame. Equipped with mounts for rack, mudguards and kickstand.

| URBAN | COMMUTING | LEISURE | FITNESS |




| | |
|-----------------------|-----------------------------------------------------------------------------------------------------------------|
| FRAME | CROSSWAY SPEED, material: aluminium, 700x42C max. wheelsize, 135x9mm axle standard, BSA bottom bracket standard |
| FRAME SIZE | XXS, XS, S, S/M, M/L, L, XL, XXL |
| FORK | Suntour NEX HLO, Coil, 63mm suspension travel, lockout, 700x50C max. wheelsize |
| BRAKES | Shimano ST-EF505 |
| ROTORS | Shimano RT10 |
| HEADSET | FSA TH888/NO.10 |
| HANDLEBAR | MERIDA CC, material: aluminium, 660mm width, 25mm rise |
| HANDLEBAR STEM | MERIDA TK, material: aluminium, 25.4mm diameter, adjustable, 100 mm all sizes |
| GRIP | MERIDA EC |
| DERAILLEUR (F) | Shimano FD-M370 |
| DERAILLEUR (R) | Shimano RD-M370 |
| SHIFTERS | Shimano ST-EF505 |
| SEAT POST | MERIDA TK, 27.2mm diameter, 13mm setback, 40mm seatpost suspension travel |
| SEAT CLAMP | MERIDA COMP QR |
| SADDLE | MERIDA Cross Sport |
| PEDAL | VP VPE-891 |

| | |
|----------------------|---------------------------------------------------------------|
| CHAIN | KMC M99 |
| CHAINWHEEL | Shimano FC-M371, 48-36-26 teeth, 170 mm-XXS/SM, 175 mm-ML/XXL |
| FREEWHEEL | Shimano CS-HG200, 11-32 teeth, 9 speed |
| BOTTOM BRAKET | FSA TH-7420ST-W, Cartridge Bearing |
| RIM | MERIDA CC, 17mm inner width, material: aluminium |
| HUBS | Shimano TX505 |
| SPOKES | Black steel |
| TIRES | MERIDA K1171 |



CROSSWAY 40

BRONZE (BROWN/BLACK)

 **SPEED** 6061 double butted and technoformed aluminium frame. Equipped with mounts for rack, mudguards and kickstand.

| URBAN | COMMUTING | LEISURE | FITNESS |




| | |
|-----------------------|-----------------------------------------------------------------------------------------------------------------|
| FRAME | CROSSWAY SPEED, material: aluminium, 700x42C max. wheelsize, 135x9mm axle standard, BSA bottom bracket standard |
| FRAME SIZE | XXS, XS, S, S/M, M/L, L, XL, XXL |
| FORK | Suntour NEX HLO, Coil, 63mm suspension travel, lockout, 700x50C max. wheelsize |
| BRAKES | Shimano ST-EF505 |
| ROTORS | Shimano RT10 |
| HEADSET | FSA TH888/NO.10 |
| HANDLEBAR | MERIDA CC, material: aluminium, 660mm width, 25mm rise |
| HANDLEBAR STEM | MERIDA TK, material: aluminium, 25.4mm diameter, adjustable, 100 mm all sizes |
| GRIP | MERIDA EC |
| DERAILLEUR (F) | Shimano FD-M370 |
| DERAILLEUR (R) | Shimano RD-M370 |
| SHIFTERS | Shimano ST-EF505 |
| SEAT POST | MERIDA TK, 27.2mm diameter, 13mm setback, 40mm seatpost suspension travel |
| SEAT CLAMP | MERIDA COMP QR |
| SADDLE | MERIDA Cross Sport |
| PEDAL | VP VPE-891 |

| | |
|----------------------|---------------------------------------------------------------|
| CHAIN | KMC M99 |
| CHAINWHEEL | Shimano FC-M371, 48-36-26 teeth, 170 mm-XXS/SM, 175 mm-ML/XXL |
| FREEWHEEL | Shimano CS-HG200, 11-32 teeth, 9 speed |
| BOTTOM BRAKET | FSA TH-7420ST-W, Cartridge Bearing |
| RIM | MERIDA CC, 17mm inner width, material: aluminium |
| HUBS | Shimano TX505 |
| SPOKES | Black steel |
| TIRES | MERIDA K1171 |



CROSSWAY L 40

SILK ANTHRACITE (GREY/BLACK)

 **SPEED** 6061 double butted and technoformed aluminium frame. Equipped with mounts for rack, mudguards and kickstand.

| URBAN | COMMUTING | LEISURE | FITNESS |




| | |
|-----------------------|-------------------------------------------------------------------------------------------------------------------|
| FRAME | CROSSWAY L SPEED, material: aluminium, 700x42C max. wheelsize, 135x9mm axle standard, BSA bottom bracket standard |
| FRAME SIZE | XS, S, M, L, XL |
| FORK | Suntour NEX HLO, Coil, 63mm suspension travel, lockout, 700x50C max. wheelsize |
| BRAKES | Shimano ST-EF505 |
| ROTORS | Shimano RT10 |
| HEADSET | FSA TH888/NO.10 |
| HANDLEBAR | MERIDA CC, material: aluminium, 660mm width, 25mm rise |
| HANDLEBAR STEM | MERIDA TK, material: aluminium, 25.4mm diameter, adjustable, 100 mm all sizes |
| GRIP | MERIDA EC |
| DERAILLEUR (F) | Shimano FD-M370 |
| DERAILLEUR (R) | Shimano RD-M370 |
| SHIFTERS | Shimano ST-EF505 |
| SEAT POST | MERIDA TK, 27.2mm diameter, 13mm setback, 40mm seatpost suspension travel |
| SEAT CLAMP | MERIDA COMP QR |
| SADDLE | MERIDA Cross Sport |
| PEDAL | VP VPE-891 |

| | |
|----------------------|---------------------------------------------------------------|
| CHAIN | KMC M99 |
| CHAINWHEEL | Shimano FC-M371, 48-36-26 teeth, 170 mm-XXS/SM, 175 mm-ML/XXL |
| FREEWHEEL | Shimano CS-HG200, 11-32 teeth, 9 speed |
| BOTTOM BRAKET | FSA TH-7420ST-W, Cartridge Bearing |
| RIM | MERIDA CC, 17mm inner width, material: aluminium |
| HUBS | Shimano TX505 |
| SPOKES | Black steel |
| TIRES | MERIDA K1171 |



CROSSWAY L 40

LIGHT LIME (OLIVE/BLACK)

 **SPEED 6061** double butted and technoformed aluminium frame. Equipped with mounts for rack, mudguards and kickstand.

| URBAN | COMMUTING | LEISURE | FITNESS |




| | |
|-----------------------|-------------------------------------------------------------------------------------------------------------------|
| FRAME | CROSSWAY L SPEED, material: aluminium, 700x42C max. wheelsize, 135x9mm axle standard, BSA bottom bracket standard |
| FRAME SIZE | XS, S, M, L, XL |
| FORK | Suntour NEX HLO, Coil, 63mm suspension travel, lockout, 700x50C max. wheelsize |
| BRAKES | Shimano ST-EF505 |
| ROTORS | Shimano RT10 |
| HEADSET | FSA TH888/NO.10 |
| HANDLEBAR | MERIDA CC, material: aluminium, 660mm width, 25mm rise |
| HANDLEBAR STEM | MERIDA TK, material: aluminium, 25.4mm diameter, adjustable, 100 mm all sizes |
| GRIP | MERIDA EC |
| DERAILLEUR (F) | Shimano FD-M370 |
| DERAILLEUR (R) | Shimano RD-M370 |
| SHIFTERS | Shimano ST-EF505 |
| SEAT POST | MERIDA TK, 27.2mm diameter, 13mm setback, 40mm seatpost suspension travel |
| SEAT CLAMP | MERIDA COMP QR |
| SADDLE | MERIDA Cross Sport |
| PEDAL | VP VPE-891 |

| | |
|----------------------|---------------------------------------------------------------|
| CHAIN | KMC M99 |
| CHAINWHEEL | Shimano FC-M371, 48-36-26 teeth, 170 mm-XXS/SM, 175 mm-ML/XXL |
| FREEWHEEL | Shimano CS-HG200, 11-32 teeth, 9 speed |
| BOTTOM BRAKET | FSA TH-7420ST-W, Cartridge Bearing |
| RIM | MERIDA CC, 17mm inner width, material: aluminium |
| HUBS | Shimano TX505 |
| SPOKES | Black steel |
| TIRES | MERIDA K1171 |



CROSSWAY L 40

BRONZE (BROWN/BLACK)

 **SPEED 6061** double butted and technoformed aluminium frame. Equipped with mounts for rack, mudguards and kickstand.

| URBAN | COMMUTING | LEISURE | FITNESS |




| | |
|-----------------------|-------------------------------------------------------------------------------------------------------------------|
| FRAME | CROSSWAY L SPEED, material: aluminium, 700x42C max. wheelsize, 135x9mm axle standard, BSA bottom bracket standard |
| FRAME SIZE | XS, S, M, L, XL |
| FORK | Suntour NEX HLO, Coil, 63mm suspension travel, lockout, 700x50C max. wheelsize |
| BRAKES | Shimano ST-EF505 |
| ROTORS | Shimano RT10 |
| HEADSET | FSA TH888/NO.10 |
| HANDLEBAR | MERIDA CC, material: aluminium, 660mm width, 25mm rise |
| HANDLEBAR STEM | MERIDA TK, material: aluminium, 25.4mm diameter, adjustable, 100 mm all sizes |
| GRIP | MERIDA EC |
| DERAILLEUR (F) | Shimano FD-M370 |
| DERAILLEUR (R) | Shimano RD-M370 |
| SHIFTERS | Shimano ST-EF505 |
| SEAT POST | MERIDA TK, 27.2mm diameter, 13mm setback, 40mm seatpost suspension travel |
| SEAT CLAMP | MERIDA COMP QR |
| SADDLE | MERIDA Cross Sport |
| PEDAL | VP VPE-891 |

| | |
|----------------------|---------------------------------------------------------------|
| CHAIN | KMC M99 |
| CHAINWHEEL | Shimano FC-M371, 48-36-26 teeth, 170 mm-XXS/SM, 175 mm-ML/XXL |
| FREEWHEEL | Shimano CS-HG200, 11-32 teeth, 9 speed |
| BOTTOM BRAKET | FSA TH-7420ST-W, Cartridge Bearing |
| RIM | MERIDA CC, 17mm inner width, material: aluminium |
| HUBS | Shimano TX505 |
| SPOKES | Black steel |
| TIRES | MERIDA K1171 |



CROSSWAY 20-D

SILK ANTHRACITE (GREY/BLACK)

 **SPEED** 6061 double butted and technoformed aluminium frame. Equipped with mounts for rack, mudguards and kickstand.

| URBAN | COMMUTING | LEISURE | FITNESS |




| | |
|-----------------------|-----------------------------------------------------------------------------------------------------------------|
| FRAME | CROSSWAY SPEED, material: aluminium, 700x42C max. wheelsize, 135x9mm axle standard, BSA bottom bracket standard |
| FRAME SIZE | XXS, XS, S, S/M, M/L, L, XL, XXL |
| FORK | Suntour NEX HLO, Coil, 63mm suspension travel, lockout, 700x50C max. wheelsize |
| BRAKES | Shimano ST-EF505 |
| ROTORS | Shimano RT10 |
| HEADSET | FSA TH888/NO.10 |
| HANDLEBAR | MERIDA CC, material: aluminium, 660mm width, 25mm rise |
| HANDLEBAR STEM | MERIDA TK, material: aluminium, 25.4mm diameter, adjustable, 100 mm all sizes |
| GRIP | MERIDA EC |
| DERAILLEUR (F) | Shimano FD-TY710 |
| DERAILLEUR (R) | Shimano RD-M360 |
| SHIFTERS | Shimano ST-EF505 |
| SEAT POST | MERIDA TK, 27.2mm diameter, 13mm setback, 40mm seatpost suspension travel |
| SEAT CLAMP | MERIDA COMP QR |
| SADDLE | MERIDA Cross Sport |
| PEDAL | VP VPE-891 |

| | |
|----------------------|-------------------------------------------------------------|
| CHAIN | Sunrace M84 |
| CHAINWHEEL | Shimano TY301, 48-38-28 teeth, 170 mm-XXS/SM, 175 mm-ML/XXL |
| FREEWHEEL | Sunrace CSM668, 11-32 teeth, 8 speed |
| BOTTOM BRAKET | FSA TH-7420ST-W, Cartridge Bearing |
| RIM | MERIDA CC, 17mm inner width, material: aluminium |
| HUBS | Shimano TX505 |
| SPOKES | Black steel |
| TIRES | MERIDA K1171 |



CROSSWAY 20-D

MOSS GREEN (SILVER-GREEN/BLACK)

 **SPEED** 6061 double butted and technoformed aluminium frame. Equipped with mounts for rack, mudguards and kickstand.

| URBAN | COMMUTING | LEISURE | FITNESS |




| | |
|-----------------------|-----------------------------------------------------------------------------------------------------------------|
| FRAME | CROSSWAY SPEED, material: aluminium, 700x42C max. wheelsize, 135x9mm axle standard, BSA bottom bracket standard |
| FRAME SIZE | XXS, XS, S, S/M, M/L, L, XL, XXL |
| FORK | Suntour NEX HLO, Coil, 63mm suspension travel, lockout, 700x50C max. wheelsize |
| BRAKES | Shimano ST-EF505 |
| ROTORS | Shimano RT10 |
| HEADSET | FSA TH888/NO.10 |
| HANDLEBAR | MERIDA CC, material: aluminium, 660mm width, 25mm rise |
| HANDLEBAR STEM | MERIDA TK, material: aluminium, 25.4mm diameter, adjustable, 100 mm all sizes |
| GRIP | MERIDA EC |
| DERAILLEUR (F) | Shimano FD-TY710 |
| DERAILLEUR (R) | Shimano RD-M360 |
| SHIFTERS | Shimano ST-EF505 |
| SEAT POST | MERIDA TK, 27.2mm diameter, 13mm setback, 40mm seatpost suspension travel |
| SEAT CLAMP | MERIDA COMP QR |
| SADDLE | MERIDA Cross Sport |
| PEDAL | VP VPE-891 |

| | |
|----------------------|-------------------------------------------------------------|
| CHAIN | Sunrace M84 |
| CHAINWHEEL | Shimano TY301, 48-38-28 teeth, 170 mm-XXS/SM, 175 mm-ML/XXL |
| FREEWHEEL | Sunrace CSM668, 11-32 teeth, 8 speed |
| BOTTOM BRAKET | FSA TH-7420ST-W, Cartridge Bearing |
| RIM | MERIDA CC, 17mm inner width, material: aluminium |
| HUBS | Shimano TX505 |
| SPOKES | Black steel |
| TIRES | MERIDA K1171 |



CROSSWAY 20-D

SILK ORANGE (YELLOW)

 **SPEED** 6061 double butted and technoformed aluminium frame. Equipped with mounts for rack, mudguards and kickstand.

| URBAN | COMMUTING | LEISURE | FITNESS |




| | |
|-----------------------|-----------------------------------------------------------------------------------------------------------------|
| FRAME | CROSSWAY SPEED, material: aluminium, 700x42C max. wheelsize, 135x9mm axle standard, BSA bottom bracket standard |
| FRAME SIZE | XXS, XS, S, S/M, M/L, L, XL, XXL |
| FORK | Suntour NEX HLO, Coil, 63mm suspension travel, lockout, 700x50C max. wheelsize |
| BRAKES | Shimano ST-EF505 |
| ROTORS | Shimano RT10 |
| HEADSET | FSA TH888/NO.10 |
| HANDLEBAR | MERIDA CC, material: aluminium, 660mm width, 25mm rise |
| HANDLEBAR STEM | MERIDA TK, material: aluminium, 25.4mm diameter, adjustable, 100 mm all sizes |
| GRIP | MERIDA EC |
| DERAILLEUR (F) | Shimano FD-TY710 |
| DERAILLEUR (R) | Shimano RD-M360 |
| SHIFTERS | Shimano ST-EF505 |
| SEAT POST | MERIDA TK, 27.2mm diameter, 13mm setback, 40mm seatpost suspension travel |
| SEAT CLAMP | MERIDA COMP QR |
| SADDLE | MERIDA Cross Sport |
| PEDAL | VP VPE-891 |

| | |
|-----------------------|-------------------------------------------------------------|
| CHAIN | Sunrace M84 |
| CHAINWHEEL | Shimano TY301, 48-38-28 teeth, 170 mm-XXS/SM, 175 mm-ML/XXL |
| FREEWHEEL | Sunrace CSM668, 11-32 teeth, 8 speed |
| BOTTOM BRACKET | FSA TH-7420ST-W, Cartridge Bearing |
| RIM | MERIDA CC, 17mm inner width, material: aluminium |
| HUBS | Shimano TX505 |
| SPOKES | Black steel |
| TIRES | MERIDA K1171 |



CROSSWAY L 20-D

SILK ANTHRACITE (GREY/BLACK)

 **SPEED** 6061 double butted and technoformed aluminium frame. Equipped with mounts for rack, mudguards and kickstand.

| URBAN | COMMUTING | LEISURE | FITNESS |




| | |
|-----------------------|-------------------------------------------------------------------------------------------------------------------|
| FRAME | CROSSWAY L SPEED, material: aluminium, 700x42C max. wheelsize, 135x9mm axle standard, BSA bottom bracket standard |
| FRAME SIZE | XS, S, M, L, XL |
| FORK | Suntour NEX HLO, Coil, 63mm suspension travel, lockout, 700x50C max. wheelsize |
| BRAKES | Shimano ST-EF505 |
| ROTORS | Shimano RT10 |
| HEADSET | FSA TH888/NO.10 |
| HANDLEBAR | MERIDA CC, material: aluminium, 660mm width, 25mm rise |
| HANDLEBAR STEM | MERIDA TK, material: aluminium, 25.4mm diameter, adjustable, 100 mm all sizes |
| GRIP | MERIDA EC |
| DERAILLEUR (F) | Shimano FD-TY710 |
| DERAILLEUR (R) | Shimano RD-M360 |
| SHIFTERS | Shimano ST-EF505 |
| SEAT POST | MERIDA TK, 27.2mm diameter, 13mm setback, 40mm seatpost suspension travel |
| SEAT CLAMP | MERIDA COMP QR |
| SADDLE | MERIDA Cross Sport |
| PEDAL | VP VPE-891 |

| | |
|-----------------------|-------------------------------------------------------------|
| CHAIN | Sunrace M84 |
| CHAINWHEEL | Shimano TY301, 48-38-28 teeth, 170 mm-XXS/SM, 175 mm-ML/XXL |
| FREEWHEEL | Sunrace CSM668, 11-32 teeth, 8 speed |
| BOTTOM BRACKET | FSA TH-7420ST-W, Cartridge Bearing |
| RIM | MERIDA CC, 17mm inner width, material: aluminium |
| HUBS | Shimano TX505 |
| SPOKES | Black steel |
| TIRES | MERIDA K1171 |



CROSSWAY L 20-D

MOSS GREEN (SILVER-GREEN/BLACK)

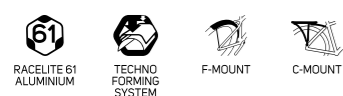
 **SPEED 6061** double butted and technoformed aluminium frame. Equipped with mounts for rack, mudguards and kickstand.

| URBAN | COMMUTING | LEISURE | FITNESS |




| | |
|-----------------------|-------------------------------------------------------------------------------------------------------------------|
| FRAME | CROSSWAY L SPEED, material: aluminium, 700x42C max. wheelsize, 135x9mm axle standard, BSA bottom bracket standard |
| FRAME SIZE | XS, S, M, L, XL |
| FORK | Suntour NEX HLO, Coil, 63mm suspension travel, lockout, 700x50C max. wheelsize |
| BRAKES | Shimano ST-EF505 |
| ROTORS | Shimano RT10 |
| HEADSET | FSA TH888/NO.10 |
| HANDLEBAR | MERIDA CC, material: aluminium, 660mm width, 25mm rise |
| HANDLEBAR STEM | MERIDA TK, material: aluminium, 25.4mm diameter, adjustable, 100 mm all sizes |
| GRIP | MERIDA EC |
| DERAILLEUR (F) | Shimano FD-TY710 |
| DERAILLEUR (R) | Shimano RD-M360 |
| SHIFTERS | Shimano ST-EF505 |
| SEAT POST | MERIDA TK, 27.2mm diameter, 13mm setback, 40mm seatpost suspension travel |
| SEAT CLAMP | MERIDA COMP QR |
| SADDLE | MERIDA Cross Sport |
| PEDAL | VP VPE-891 |

| | |
|----------------------|-------------------------------------------------------------|
| CHAIN | Sunrace M84 |
| CHAINWHEEL | Shimano TY301, 48-38-28 teeth, 170 mm-XXS/SM, 175 mm-ML/XXL |
| FREEWHEEL | Sunrace CSM668, 11-32 teeth, 8 speed |
| BOTTOM BRAKET | FSA TH-7420ST-W, Cartridge Bearing |
| RIM | MERIDA CC, 17mm inner width, material: aluminium |
| HUBS | Shimano TX505 |
| SPOKES | Black steel |
| TIRES | MERIDA K1171 |



CROSSWAY L 20-D

SILK ORANGE (YELLOW)

 **SPEED 6061** double butted and technoformed aluminium frame. Equipped with mounts for rack, mudguards and kickstand.

| URBAN | COMMUTING | LEISURE | FITNESS |




| | |
|-----------------------|-------------------------------------------------------------------------------------------------------------------|
| FRAME | CROSSWAY L SPEED, material: aluminium, 700x42C max. wheelsize, 135x9mm axle standard, BSA bottom bracket standard |
| FRAME SIZE | XS, S, M, L, XL |
| FORK | Suntour NEX HLO, Coil, 63mm suspension travel, lockout, 700x50C max. wheelsize |
| BRAKES | Shimano ST-EF505 |
| ROTORS | Shimano RT10 |
| HEADSET | FSA TH888/NO.10 |
| HANDLEBAR | MERIDA CC, material: aluminium, 660mm width, 25mm rise |
| HANDLEBAR STEM | MERIDA TK, material: aluminium, 25.4mm diameter, adjustable, 100 mm all sizes |
| GRIP | MERIDA EC |
| DERAILLEUR (F) | Shimano FD-TY710 |
| DERAILLEUR (R) | Shimano RD-M360 |
| SHIFTERS | Shimano ST-EF505 |
| SEAT POST | MERIDA TK, 27.2mm diameter, 13mm setback, 40mm seatpost suspension travel |
| SEAT CLAMP | MERIDA COMP QR |
| SADDLE | MERIDA Cross Sport |
| PEDAL | VP VPE-891 |

| | |
|----------------------|-------------------------------------------------------------|
| CHAIN | Sunrace M84 |
| CHAINWHEEL | Shimano TY301, 48-38-28 teeth, 170 mm-XXS/SM, 175 mm-ML/XXL |
| FREEWHEEL | Sunrace CSM668, 11-32 teeth, 8 speed |
| BOTTOM BRAKET | FSA TH-7420ST-W, Cartridge Bearing |
| RIM | MERIDA CC, 17mm inner width, material: aluminium |
| HUBS | Shimano TX505 |
| SPOKES | Black steel |
| TIRES | MERIDA K1171 |



CROSSWAY 10-V

SILK ANTHRACITE (GREY/BLACK)

 **DT 6061** double butted and technoformed aluminium frame. Equipped with mounts for rack, mudguards and kickstand.

| URBAN | COMMUTING | LEISURE | FITNESS |




| | |
|-----------------------|--------------------------------------------------------------------------------------------------------------|
| FRAME | CROSSWAY DT, material: aluminium, 700x42C max. wheelsize, 135x9mm axle standard, BSA bottom bracket standard |
| FRAME SIZE | XXS, XS, S, S/M, M/L, L, XL, XXL |
| FORK | Suntour NEX, Coil, 63mm suspension travel, 700x50C max. wheelsize |
| BRAKES | Promax MTV-117A |
| HEADSET | FSA TH888 |
| HANDLEBAR | MERIDA CC, material: steel, 620mm width, 30mm rise |
| HANDLEBAR STEM | MERIDA TK, material: aluminium, 25.4mm diameter, adjustable, 100 mm all sizes |
| GRIP | MERIDA EC |
| DERAILLEUR (F) | Shimano FD-TY510 |
| DERAILLEUR (R) | Shimano RD-M310 |
| SHIFTERS | Shimano ST-EF500 |
| SEAT POST | MERIDA TK, 27.2mm diameter, 13mm setback, 40mm seatpost suspension travel |
| SEAT CLAMP | MERIDA COMP QR |
| SADDLE | MERIDA Cross Sport |
| PEDAL | VP VPE-891 |
| CHAIN | KMC NS8 |

| | |
|-----------------------|-------------------------------------------------------------|
| CHAINWHEEL | Shimano TY301, 48-38-28 teeth, 170 mm-XXS/SM, 175 mm-ML/XXL |
| FREEWHEEL | Shimano MF-TZ500, 14-28 teeth, 7 speed |
| BOTTOM BRACKET | FSA TH-7420ST-W, Cartridge Bearing |
| RIM | MERIDA CC, 17mm inner width, material: aluminium |
| HUBS | Joytech JY-751DSE / Joytech JY-752DSE |
| SPOKES | Steel UCP |
| TIRES | MERIDA K1171 |



CROSSWAY 10-V

BLUE (STEEL BLUE/WHITE)

 **DT 6061** double butted and technoformed aluminium frame. Equipped with mounts for rack, mudguards and kickstand.

| URBAN | COMMUTING | LEISURE | FITNESS |




| | |
|-----------------------|--------------------------------------------------------------------------------------------------------------|
| FRAME | CROSSWAY DT, material: aluminium, 700x42C max. wheelsize, 135x9mm axle standard, BSA bottom bracket standard |
| FRAME SIZE | XXS, XS, S, S/M, M/L, L, XL, XXL |
| FORK | Suntour NEX, Coil, 63mm suspension travel, 700x50C max. wheelsize |
| BRAKES | Promax MTV-117A |
| HEADSET | FSA TH888 |
| HANDLEBAR | MERIDA CC, material: steel, 620mm width, 30mm rise |
| HANDLEBAR STEM | MERIDA TK, material: aluminium, 25.4mm diameter, adjustable, 100 mm all sizes |
| GRIP | MERIDA EC |
| DERAILLEUR (F) | Shimano FD-TY510 |
| DERAILLEUR (R) | Shimano RD-M310 |
| SHIFTERS | Shimano ST-EF500 |
| SEAT POST | MERIDA TK, 27.2mm diameter, 13mm setback, 40mm seatpost suspension travel |
| SEAT CLAMP | MERIDA COMP QR |
| SADDLE | MERIDA Cross Sport |
| PEDAL | VP VPE-891 |
| CHAIN | KMC NS8 |

| | |
|-----------------------|-------------------------------------------------------------|
| CHAINWHEEL | Shimano TY301, 48-38-28 teeth, 170 mm-XXS/SM, 175 mm-ML/XXL |
| FREEWHEEL | Shimano MF-TZ500, 14-28 teeth, 7 speed |
| BOTTOM BRACKET | FSA TH-7420ST-W, Cartridge Bearing |
| RIM | MERIDA CC, 17mm inner width, material: aluminium |
| HUBS | Joytech JY-751DSE / Joytech JY-752DSE |
| SPOKES | Steel UCP |
| TIRES | MERIDA K1171 |



CROSSWAY L 10-V

SILK ANTHRACITE (GREY/BLACK)

 **DT 6061** double butted and technoformed aluminium frame. Equipped with mounts for rack, mudguards and kickstand.

| URBAN | COMMUTING | LEISURE | FITNESS |




| | |
|-----------------------|----------------------------------------------------------------------------------------------------------------|
| FRAME | CROSSWAY L DT, material: aluminium, 700x42C max. wheelsize, 135x9mm axle standard, BSA bottom bracket standard |
| FRAME SIZE | XS, S, M, L, XL |
| FORK | Suntour NEX, Coil, 63mm suspension travel, 700x50C max. wheelsize |
| BRAKES | Promax MTV-117A |
| HEADSET | FSA TH888 |
| HANDLEBAR | MERIDA CC, material: steel, 620mm width, 30mm rise |
| HANDLEBAR STEM | MERIDA TK, material: aluminium, 25.4mm diameter, adjustable, 100 mm all sizes |
| GRIP | MERIDA EC |
| DERAILLEUR (F) | Shimano FD-TY510 |
| DERAILLEUR (R) | Shimano RD-M310 |
| SHIFTERS | Shimano ST-EF500 |
| SEAT POST | MERIDA TK, 27.2mm diameter, 13mm setback, 40mm seatpost suspension travel |
| SEAT CLAMP | MERIDA COMP QR |
| SADDLE | MERIDA Cross Sport |
| PEDAL | VP VPE-891 |
| CHAIN | KMC NS8 |

| | |
|-----------------------|-------------------------------------------------------------|
| CHAINWHEEL | Shimano TY301, 48-38-28 teeth, 170 mm-XXS/SM, 175 mm-ML/XXL |
| FREEWHEEL | Shimano MF-TZ500, 14-28 teeth, 7 speed |
| BOTTOM BRACKET | FSA TH-7420ST-W, Cartridge Bearing |
| RIM | MERIDA CC, 17mm inner width, material: aluminium |
| HUBS | Joytech JY-751DSE / Joytech JY-752DSE |
| SPOKES | Steel UCP |
| TIRES | MERIDA K1171 |



CROSSWAY L 10-V

BLUE (STEEL BLUE/WHITE)

 **DT 6061** double butted and technoformed aluminium frame. Equipped with mounts for rack, mudguards and kickstand.

| URBAN | COMMUTING | LEISURE | FITNESS |



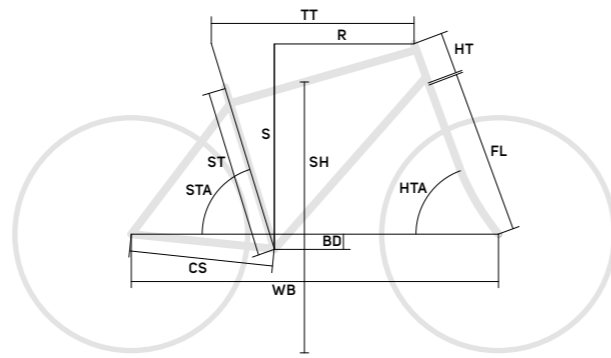
| | |
|-----------------------|----------------------------------------------------------------------------------------------------------------|
| FRAME | CROSSWAY L DT, material: aluminium, 700x42C max. wheelsize, 135x9mm axle standard, BSA bottom bracket standard |
| FRAME SIZE | XS, S, M, L, XL |
| FORK | Suntour NEX, Coil, 63mm suspension travel, 700x50C max. wheelsize |
| BRAKES | Promax MTV-117A |
| HEADSET | FSA TH888 |
| HANDLEBAR | MERIDA CC, material: steel, 620mm width, 30mm rise |
| HANDLEBAR STEM | MERIDA TK, material: aluminium, 25.4mm diameter, adjustable, 100 mm all sizes |
| GRIP | MERIDA EC |
| DERAILLEUR (F) | Shimano FD-TY510 |
| DERAILLEUR (R) | Shimano RD-M310 |
| SHIFTERS | Shimano ST-EF500 |
| SEAT POST | MERIDA TK, 27.2mm diameter, 13mm setback, 40mm seatpost suspension travel |
| SEAT CLAMP | MERIDA COMP QR |
| SADDLE | MERIDA Cross Sport |
| PEDAL | VP VPE-891 |
| CHAIN | KMC NS8 |

| | |
|-----------------------|-------------------------------------------------------------|
| CHAINWHEEL | Shimano TY301, 48-38-28 teeth, 170 mm-XXS/SM, 175 mm-ML/XXL |
| FREEWHEEL | Shimano MF-TZ500, 14-28 teeth, 7 speed |
| BOTTOM BRACKET | FSA TH-7420ST-W, Cartridge Bearing |
| RIM | MERIDA CC, 17mm inner width, material: aluminium |
| HUBS | Joytech JY-751DSE / Joytech JY-752DSE |
| SPOKES | Steel UCP |
| TIRES | MERIDA K1171 |



CROSSWAY

GEOMETRIES



CROSSWAY TFS II

| FS Frame Size | XXS | XS | S | M | L | XL |
|-----------------------------|------|------|------|------|------|------|
| TS Tire Size | 28" | 28" | 28" | 28" | 28" | 28" |
| ST seat tube [mm] | 390 | 430 | 470 | 510 | 550 | 590 |
| TT top tube [mm] | 560 | 565 | 580 | 590 | 610 | 630 |
| CS chain stay length [mm] | 460 | 460 | 460 | 460 | 460 | 460 |
| HTA head tube angle [°] | 70.5 | 70.5 | 71 | 71 | 71.5 | 71.5 |
| STA seat tube angle [°] | 74 | 74 | 73.5 | 73.5 | 73 | 73 |
| BD bottom bracket drop [mm] | 70 | 70 | 70 | 70 | 70 | 70 |
| HT head tube [mm] | 130 | 130 | 140 | 155 | 175 | 205 |
| FL fork length [mm] | 468 | 468 | 468 | 468 | 468 | 468 |
| R reach [mm] | 382 | 387 | 393 | 399 | 406 | 418 |
| S stack [mm] | 620 | 620 | 631 | 645 | 667 | 695 |
| WB wheel base [mm] | 1076 | 1081 | 1085 | 1096 | 1104 | 1125 |
| SH stand over height [mm] | 688 | 723 | 757 | 784 | 818 | 855 |

CROSSWAY SPEED / DT

| FS Frame Size | XS | S | S/M | M/L | L | XL | XXL |
|-----------------------------|------|------|------|------|------|------|------|
| TS Tire Size | 28" | 28" | 28" | 28" | 28" | 28" | 28" |
| ST seat tube [mm] | 440 | 460 | 480 | 520 | 550 | 580 | 610 |
| TT top tube [mm] | 565 | 575 | 585 | 595 | 605 | 620 | 635 |
| CS chain stay length [mm] | 450 | 450 | 450 | 450 | 450 | 450 | 450 |
| HTA head tube angle [°] | 71 | 71.5 | 71.5 | 72 | 72 | 72 | 72.5 |
| STA seat tube angle [°] | 74 | 73.5 | 73.5 | 73.5 | 73 | 73 | 72.5 |
| BD bottom bracket drop [mm] | 70 | 70 | 70 | 70 | 70 | 70 | 70 |
| HT head tube [mm] | 125 | 125 | 135 | 135 | 145 | 170 | 200 |
| FL fork length [mm] | 450 | 450 | 450 | 450 | 450 | 450 | 450 |
| R reach [mm] | 377 | 383 | 390 | 397 | 403 | 413 | 423 |
| S stack [mm] | 597 | 599 | 609 | 610 | 620 | 644 | 675 |
| WB wheel base [mm] | 1073 | 1072 | 1082 | 1087 | 1091 | 1107 | 1110 |
| SH stand over height [mm] | 729 | 744 | 762 | 793 | 816 | 844 | 875 |

CROSSWAY TFS II L

| FS Frame Size | XXS | XS | S | M | L |
|-----------------------------|------|------|------|------|------|
| TS Tire Size | 28" | 28" | 28" | 28" | 28" |
| ST seat tube [mm] | 390 | 430 | 470 | 510 | 550 |
| TT top tube [mm] | 560 | 565 | 580 | 590 | 610 |
| CS chain stay length [mm] | 460 | 460 | 460 | 460 | 460 |
| HTA head tube angle [°] | 70.5 | 70.5 | 71 | 71 | 71.5 |
| STA seat tube angle [°] | 74 | 74 | 73.5 | 73.5 | 73 |
| BD bottom bracket drop [mm] | 70 | 70 | 70 | 70 | 70 |
| HT head tube [mm] | 130 | 130 | 140 | 155 | 175 |
| FL fork length [mm] | 468 | 468 | 468 | 468 | 468 |
| R reach [mm] | 382 | 387 | 393 | 399 | 406 |
| S stack [mm] | 620 | 620 | 631 | 645 | 667 |
| WB wheel base [mm] | 1076 | 1081 | 1085 | 1096 | 1104 |
| SH stand over height [mm] | 648 | 648 | 648 | 640 | 639 |

CROSSWAY SPEED / DT L

| FS Frame Size | XS | S | S/M | M/L | L |
|-----------------------------|------|------|------|------|------|
| TS Tire Size | 28" | 28" | 28" | 28" | 28" |
| ST seat tube [mm] | 390 | 430 | 470 | 510 | 550 |
| TT top tube [mm] | 565 | 575 | 585 | 600 | 610 |
| CS chain stay length [mm] | 450 | 450 | 450 | 450 | 460 |
| HTA head tube angle [°] | 71 | 71 | 71 | 71.5 | 71.5 |
| STA seat tube angle [°] | 74 | 73.5 | 73.5 | 73 | 73 |
| BD bottom bracket drop [mm] | 70 | 70 | 70 | 70 | 70 |
| HT head tube [mm] | 135 | 140 | 140 | 170 | 175 |
| FL fork length [mm] | 450 | 450 | 450 | 450 | 468 |
| R reach [mm] | 377 | 383 | 390 | 400 | 406 |
| S stack [mm] | 607 | 612 | 612 | 642 | 667 |
| WB wheel base [mm] | 1073 | 1078 | 1088 | 1092 | 1104 |
| SH stand over height [mm] | 590 | 589 | 590 | 588 | 639 |

FRAME INTERFACES

| | TFS II | SPEED | DT |
|-----------------------------------|--------------------|-----------------------|---------------------|
| MAX. WHEELSIZE | 700x50C | 700x42C | 700x42C |
| HEAD TUBE | | | |
| 11/8" & 1 1/2" | • | | |
| 11/8" & 1 1/8" | | • | • |
| HEADSET | | | |
| SEMI-INTEGRATED (44-55 mm) | • | | |
| UPPER EXTERNAL-CUP (34 mm) | | • | |
| LOWER SEMI-INTEGRATED (44 mm) | | | |
| EXTERNAL CUP (34-34 mm) | | | • |
| BRAKE STANDARD | | | |
| DISC BRAKE ON CHAIN STAY | • | | |
| DISC BRAKE ON SEAT STAY | | • | |
| POST MOUNT 160 mm REAR BRAKE | • | | |
| INTERNATIONAL STANDARD REAR BRAKE | | • | |
| RIMBRAKE V-BRAKE | | | • |
| BB-STANDARD | | | |
| BSA 73 mm | • | | |
| BSA 68 mm | | • | • |
| SEATPOST DIAMETER | | | |
| 27.2 mm | | • | • |
| 30.9 mm | • | | |
| REAR DROPOUT-STANDARD | | | |
| QUICK RELEASE 9x135 mm | • | • | • |
| CABLE ROUTING | | | |
| INTERNAL SHIFTING CABLES | • | | |
| INTERNAL BRAKE CABLE | • | | |
| EXTERNAL | | • | • |
| EQUIPMENT OPTIONS | | | |
| HEBIE 40 mm | • | • | |
| KICKSTAND (CENTER MOUNT) | | | • |
| CARRIER MOUNT FRAME | • | • | • |
| FENDER MOUNT FRAME | • | • | • |
| FD-STANDARD | | | |
| CLAMP (DIAMETER: 31.8 mm) | | • | • |
| CLAMP (DIAMETER: 34.9 mm) | • | | |
| DOWN PULL | • | • | • |
| FRAME WEIGHT* | 1780 size M +/- 3% | 1850g size M/L +/- 3% | 1980g size M +/- 3% |
| RD HANGER | DH-013F | A-HG011 | DH-10 (A-HG0009) |

* Frame weight only! Without axle, frame protectors, saddle clamp, hanger, steerer cups and cable guides (weight is also depending on the frame color)





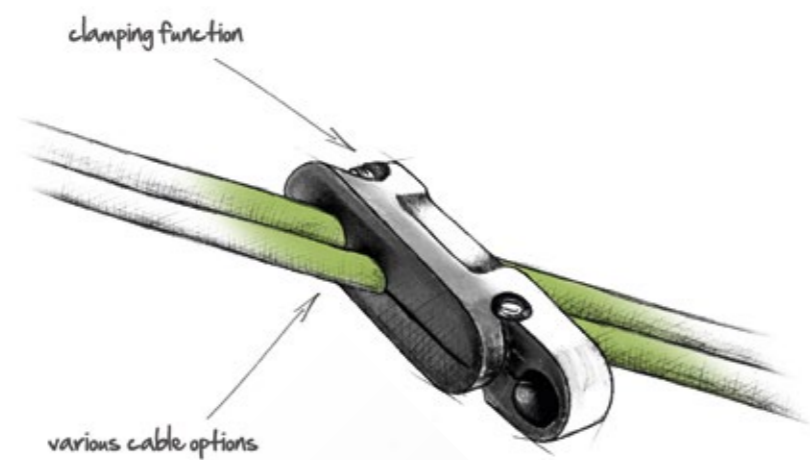
EQUIP YOUR RIDE

PARTS ACCESSORIES APPAREL

Besides offering test winning and top performing road, mountain, commuting and e-bikes, we also have a large selection of parts and accessories in our range. You will be able to find an extensive offering of cycling apparel, including gloves and eye protection as well as bags and backpacks under the MERIDA banner. On top of that, we have a comprehensive choice of tools, pumps, bike parts and general accessories that will make your rides that touch more enjoyable and that will help to keep your bike in tip-top condition for longer.

DISCOVER ON [MERIDA.com](https://www.merida.com)

SMART ENTRIES



SE-0
Blind plug, aluminum black anodized
Item no.: 2258004028



SE5 1-1-0
1 x 5 mm hydraulic cable,
1 x 4 mm mechanical cable, aluminum
Item no.: 2258004084



SE5 1-0-0
1 x 5 mm hydraulic cable, aluminum
Item no.: 2258004062

SE55 1-1-0 special Version for Tekro-Brakes
1 x 5,5 mm hydraulic cable,
1 x 4 mm mechanical cable, aluminum
Item no.: 2258005944

SE4 1-0-0
1 x 4 mm mechanical cable, aluminum
Item no.: 2258004051



SE5 1-1-2
1 x 5 mm hydraulic cable,
1 x 4 mm or 2 x 2.5 mm Di2 cable,
aluminum black anodized
Item no.: 2258004341



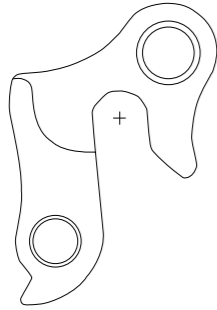
SE5 1-0-1
1 x 5 mm hydraulic cable,
1 x 3 mm Di2 cable, aluminum black anodized
Item no.: 2258004095

SE55 1-1-2 special Version for Tekro-Brakes
1 x 5,5 mm hydraulic cable,
1 x 4 mm or 2 x 2.5 mm Di2 cable,
aluminum black anodized
Item no.: 2258005955

SE4 1-0-1
1 x 4 mm hydraulic cable,
1 x 3 mm Di2 cable, aluminum black anodized
Item no.: 2258004716

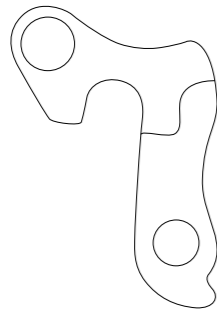


DROPOUTS



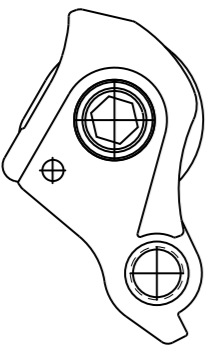
DH-10 (A-HG009)

| | RD-HANGER | SCREW |
|-------------------|------------|-----------------|
| FRAME | MIC-NO. | MIC-NO. |
| CROSSWAY DT -V/-D | 2311003518 | 2315000021 1pcs |



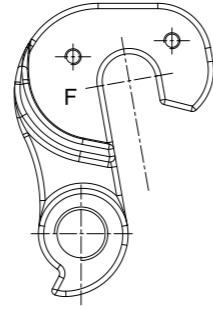
A-HG011

| | RD-HANGER | SCREW |
|-------------------------|------------|-----------------|
| FRAME | MIC-NO. | MIC-NO. |
| BIG.SEVEN/NINE SPEED -D | 2311002250 | 2315000021 1pcs |
| BIG.SEVEN/NINE SPEED | | |
| CROSSWAY URBAN SPEED -D | | |
| CROSSWAY SPEED -V/-D | | |



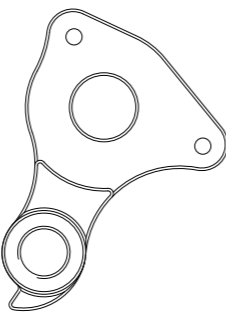
SRAM-UDH

| | RD-HANGER | SCREW |
|--------------------|------------|---------|
| FRAME | MIC-NO. | MIC-NO. |
| BIG.TRAIL TFS | 2311005673 | --- |
| NINETY-SIX CF4 III | | |
| NINETY-SIX CF5 III | | |



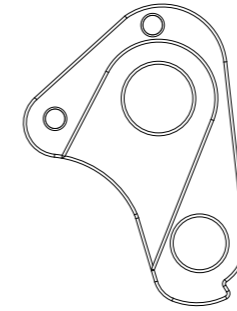
DH-013F

| | RD-HANGER | SCREW |
|------------------------|------------|-----------------|
| FRAME | MIC-NO. | MIC-NO. |
| BIG.SEVEN/NINE SPEED N | 2311005167 | 2300000772 2pcs |
| BIG.SEVEN/NINE TFS | | |
| MATTS J 20+ | | |
| MATTS J 24+ | | |
| MATTS 6 SPEED | | |
| MATTS 7 SPEED | | |
| MATTS 7 TFS | | |
| CROSSWAY URBAN TFS | | |
| CROSSWAY TFS | | |
| eSPRESSO LITE 650 | | |



DH-053

| | RD-HANGER | SCREW |
|---------------------|--------------------------|----------------------------|
| FRAME | MIC-NO. | MIC-NO. |
| BIG.SEVEN/NINE LITE | 2311004928 | 2300010950 2pcs (20,5L) |
| BIG.SEVEN/NINE CF3 | | |
| BIG.SEVEN/NINE CF5 | | |
| NINETY-SIX LITE | | |
| NINETY-SIX CFA | | |
| NINETY-SIX CF4 | | |
| NINETY-SIX CF5 | | |
| ONE-TWENTY LITE | | |
| ONE-TWENTY CFA | | |
| ONE-TWENTY CF4 | | |
| ONE-FORTY LITE | 2300009458 2pcs (10L) | |
| ONE-SIXTY LITE | | |
| ONE-SIXTY CFA | | |



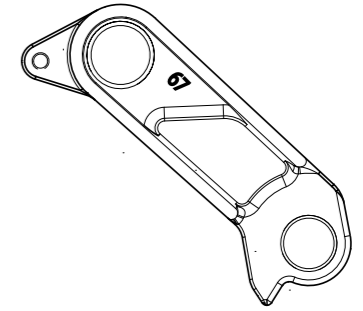
DH-054

| | RD-HANGER | SCREW |
|--------------------|------------|------------------------------------------------|
| FRAME | MIC-NO. | MIC-NO. |
| SILEX LITE | 2311004984 | 2300011757 1pcs (10L) 2300011746 1pcs (16L) |
| SILEX CF2 | | 2300013362 1pcs (15L) 2300010983 1pcs (16L) |
| MISSION CX LITE | 2311004984 | 2300011586 1pcs (14L) 2300011746 1pcs (16L) |
| MISSION CX CF3 | | 2300013823 1pcs (16L) 2300010983 1pcs (16L) |
| SCULTURA LITE DISC | 2311004984 | 2300011586 1pcs (14L) 2300011746 1pcs (16L) |
| SCULTURA CF2 DISC | | 2300011586 1pcs (14L) 2300010983 1pcs (16L) |
| SCULTURA CF4 DISC | 2311004984 | 2300011586 1pcs (14L) 2300013016 1pcs (16L) |
| REACTO CF2 DISC | | 2300013362 1pcs (15L) 2300013298 1pcs (18L) |
| REACTO CF4 DISC | 2311004984 | 2300013362 1pcs (15L) 2300013016 1pcs (16L) |



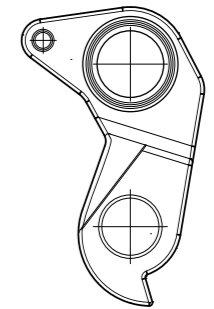
E02-0013

| | RD-HANGER | SCREW |
|--------------|------------|-----------------------------|
| FRAME | MIC-NO. | MIC-NO. |
| SCULTURA CF2 | 2311004553 | 2298010301 8,5 mm / 3pcs |
| SCULTURA CF4 | | |
| REACTO CF2 | | |
| REACTO CF4 | | |



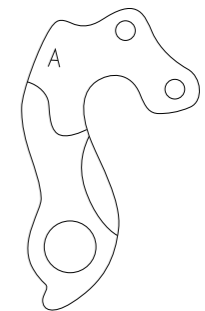
DH-067 (for Shimano DirectMount RD)

| | RD-HANGER | SCREW |
|------------------------|------------|----------------------------|
| FRAME | MIC-NO. | MIC-NO. |
| SCULTURA ENDURANCE CF3 | 2311005684 | 2300009458 10 mm / 1pcs |
| REACTO CF3 IV | | |
| REACTO CF5 IV | | |



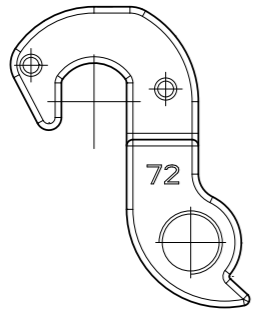
DH-068 (for standard RD)

| | RD-HANGER | SCREW |
|------------------------|------------|----------------------------|
| FRAME | MIC-NO. | MIC-NO. |
| SCULTURA ENDURANCE CF3 | 2311005695 | 2300009458 10 mm / 1pcs |
| REACTO CF3 IV | | |
| REACTO CF5 IV | | |



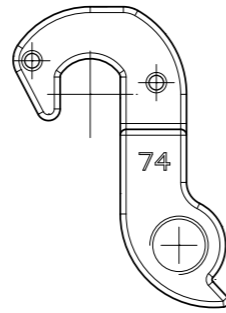
8317-0000P

| | RD-HANGER | SCREW |
|-------------------------|---------------------|------------------------------|
| FRAME | MIC-NO. | MIC-NO. |
| MISSION CX TFS | 2311004393 (black) | 2300007973 2x9 mm 1pcs |
| SCULTURA LITE | | |
| SCULTURA LITE DISC (QR) | | |
| REACTO LITE | | |
| MISSION J | | |
| SPEEDER LITE II | 2311002249 (silver) | |



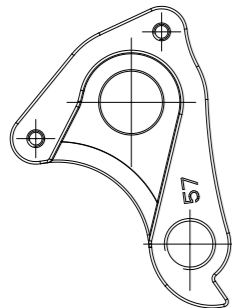
DH-072 (for Road-RD)

| FRAME | RD-HANGER MIC-NO. | SCREW MIC-NO. |
|----------------|----------------------|------------------------------|
| eSPEEDER LITE | 2311005855 | 2300000772 M3x6mm 2pcs |
| eSILEX LITE | | |
| eSILEX+ LITE | | |
| eSCULTURA LITE | | |



DH-074 (for MTB-RD)

| FRAME | RD-HANGER MIC-NO. | SCREW MIC-NO. |
|----------------|----------------------|------------------------------|
| eSPEEDER LITE | 2311005866 | 2300000772 M3x6mm 2pcs |
| eSILEX LITE | | |
| eSILEX+ LITE | | |
| eSCULTURA LITE | | |



DH-057

| FRAME | RD-HANGER MIC-NO. | SCREW MIC-NO. | |
|----------------------|----------------------|-------------------------|---------------------------|
| eSPRESSO CITY LITE | 2311005101 | 2300009458 2PCS(10L) | |
| eSPRESSO LITE | | | |
| eSPRESSO LITE II | | | |
| eBIG.SEVEN/NINE LITE | | | |
| eBIG.NINE LITE II | | | |
| eBIG.TOUR LITE II | | | |
| eONE-TWENTY LITE | | | |
| eONE-FORTY LITE | | | 2300010950 2PCS(20,5L) |
| eONE-FORTY CFA | | | |
| eONE-SIXTY LITE | | | |
| eONE-SIXTY LITE II | | | |
| eONE-SIXTY CFA | | | |





MERIDA.com

MERIDA INDUSTRY CO., LTD.

P.O. Box 56, Yuanlin Taiwan R.O.C.
Tel.: +886-4-8526171 Fax: +886-4-8527881

 www.facebook.com/Meridabikes  www.instagram.com/merida.bikes

Subject to change
Due to continuing development and design, MERIDA reserved the right
to change any or all specifications without prior notice.